



Pro-Stance

Parts Manual

Models:

994161 – 48" Pro-Stance
(SN 000500+)

994162 – 52" Pro-Stance
(SN 000500+)

994163 – 52" Pro-Stance EFI
(SN 000500+)

994164 – 60" Pro-Stance
(SN 000500+)

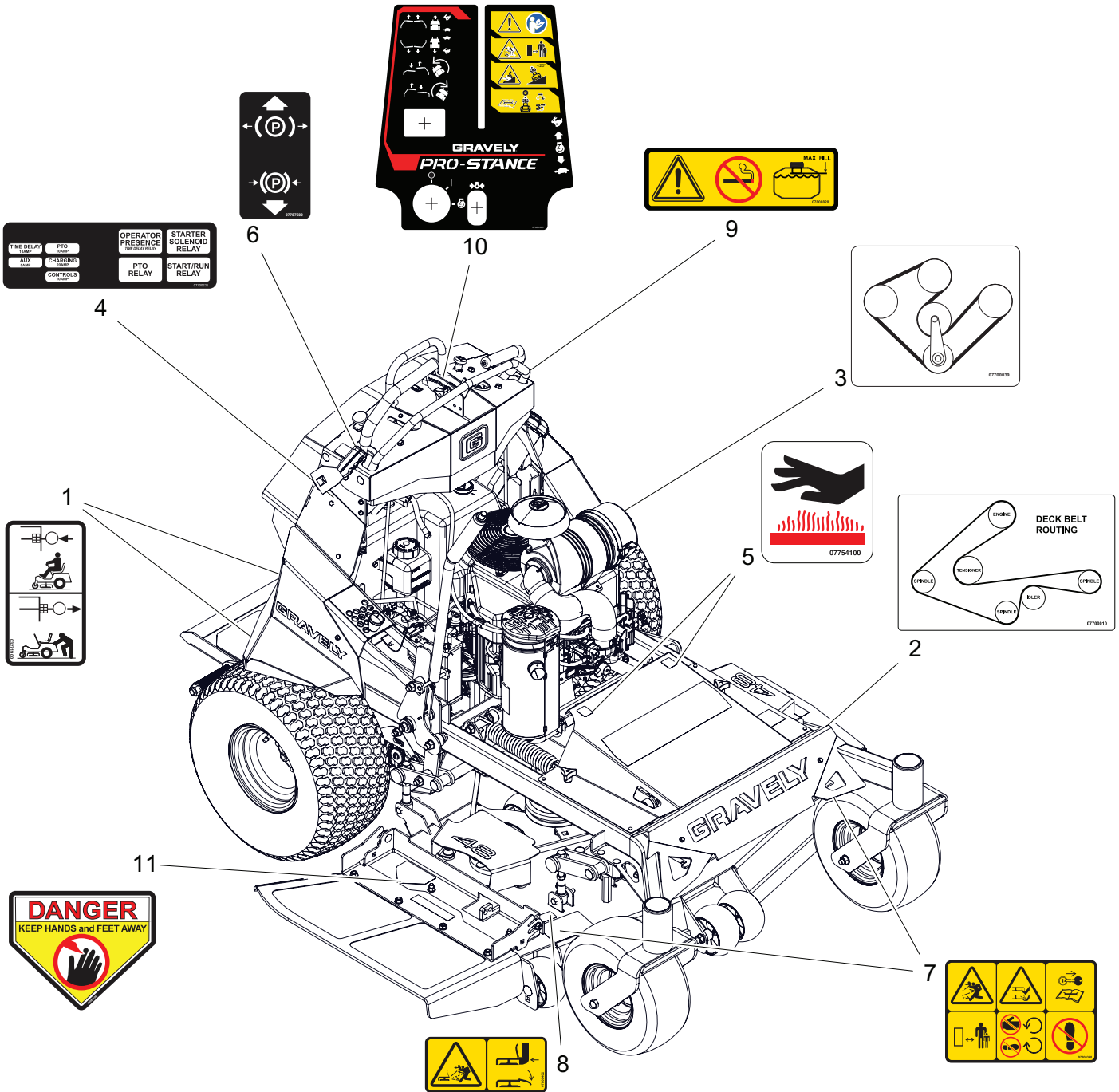
994165 – 60" Pro-Stance EFI
(SN 000500+)

TABLE OF CONTENTS

Decals – Safety	3	Fuel System	25
Decals – Safety – EFI	4	Fenders	26
Decals – Styles – 48"	5	Transaxle Guards.....	27
Decals – Styles – 52"	6	Rear Tires and Transaxles.....	28
Decals – Styles – 60"	7	Electrical.....	29
Engine and Frame	8	Continuity Diagram.....	30
Engine and Frame – EFI	9	FT Engine Adapter Harness.....	31
Muffler.....	10	Electrical Diagram	32
Drive Belt and Clutch.....	11	Front Casters	33
Tower and Dash	12	Belt Covers.....	34
Tower and Dash – EFI.....	13	Deck, Belt, Blades and Spindles – 48".....	35
Operator Pad and Switches.....	14	Deck, Belt, Blades and Spindles – 52".....	36
Operator Pad and Switches – EFI	15	Deck, Belt, Blades and Spindles – 60".....	37
Drive Controls.....	16	Idlers and Sheaves – 48"	38
Drive Controls (cont.).....	17	Idlers and Sheaves – 52"	39
Parking Brake	18	Idlers and Sheaves – 60"	40
Operator Platform	19	Discharge Chute	41
Deck Lift Foot Assist.....	20	Anti-Scalp Wheels and Baffles – 48"	42
Height of Cut.....	21	Anti-Scalp Wheels and Baffles – 52"	43
Deck Lift.....	22	Anti-Scalp Wheels and Baffles – 60"	44
Deck Lift Mounts.....	23		
Deck Lift Linkage	24		

DECALS – SAFETY

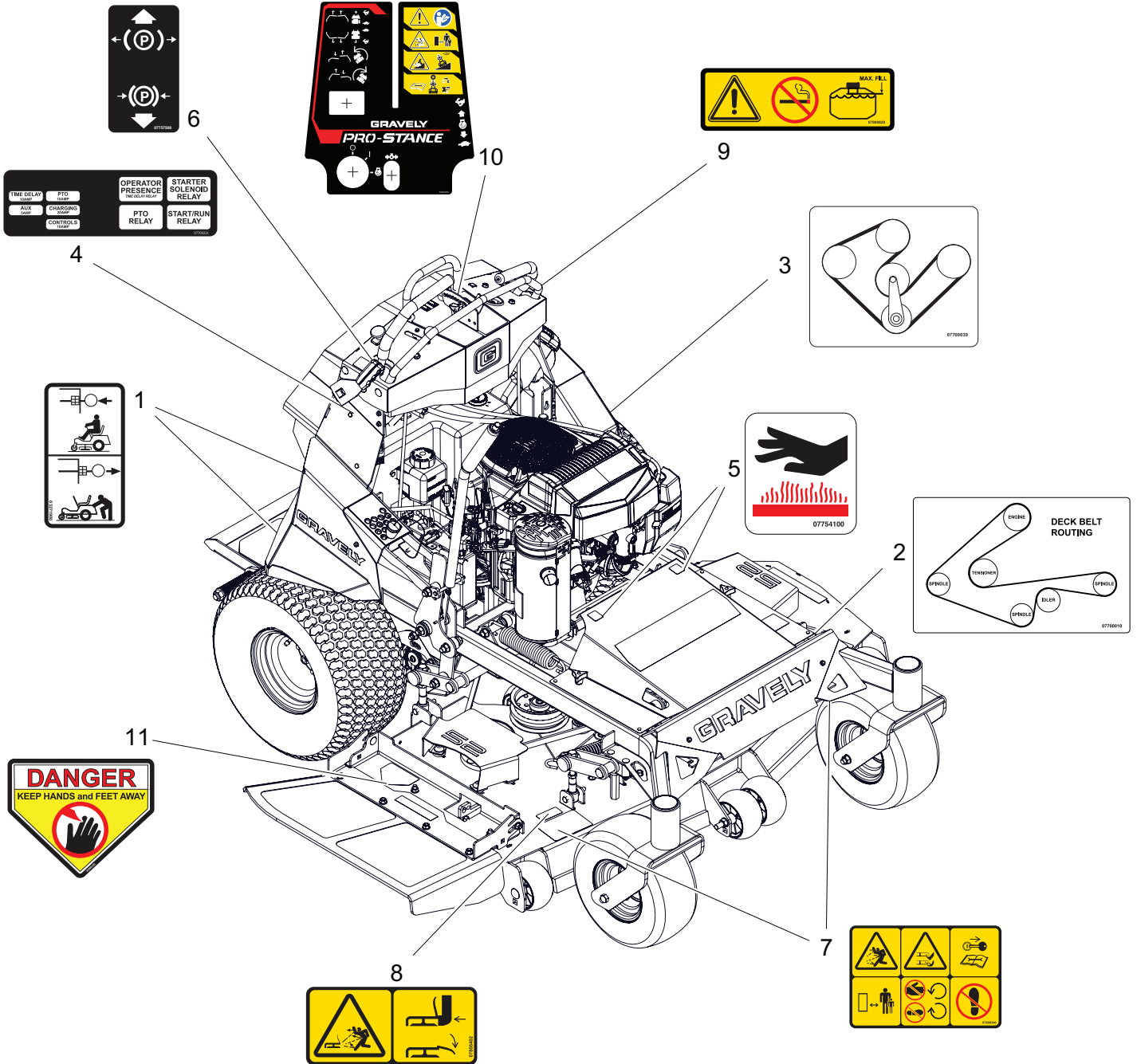
Models 994161, 162, 164



BOM ID	Number	Qty	Descriptio
1	03271900	2	DECAL, TRANSMISSION DISCONNECT
2	07700010	1	DECAL, BELT ROUTING 48/52 REV
3	07700039	1	DECAL, HYDRO BELT (PROSTANCE)
4	07700221	1	DECAL, FUSE BOX
5	07754100	2	DECAL, HOT SURFACE
6	07757500	1	DECAL, PARKING BRAKE LEVER
7	07800340	2	DECAL, SAFETY - MOWER DECK
8	07800402	1	DECAL, SAFETY - DECK GUARDING
9	07800820	1	DECAL, FUEL WARNING
10	07801005	1	DECAL, DASH - PROSTANCE
11	02988100	1	DECAL, DANGER

DECALS – SAFETY – EFI

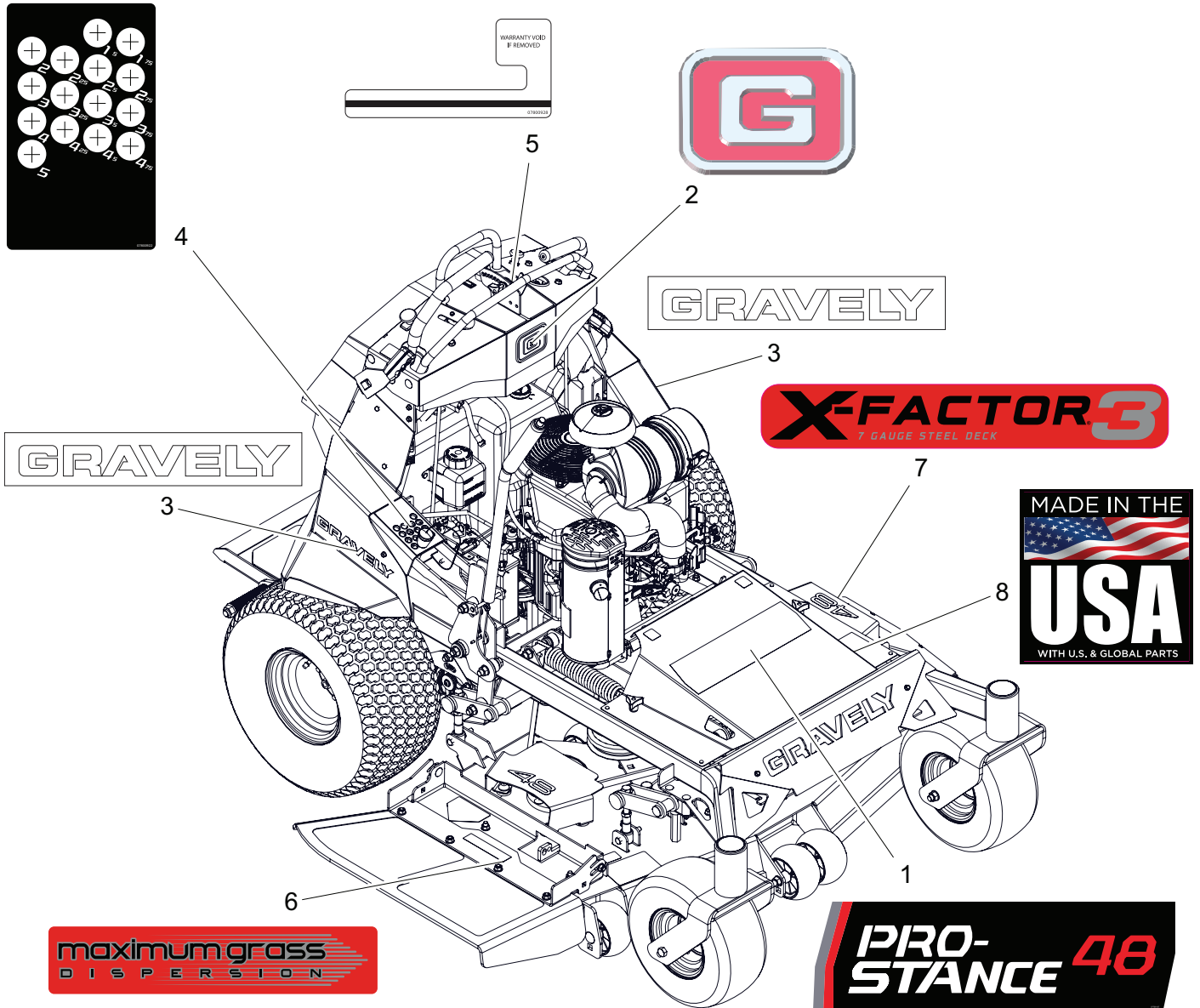
Models 994163, 165



BOM ID	Number	Qty	Descriptio
1	03271900	2	DECAL, TRANSMISSION DISCONNECT
2	07700010	1	DECAL, BELT ROUTING 48/52 REV
3	07700039	1	DECAL, HYDRO BELT (PROSTANCE)
4	07700221	1	DECAL, FUSE BOX
5	07754100	2	DECAL, HOT SURFACE
6	07757500	1	DECAL, PARKING BRAKE LEVER
7	07800340	2	DECAL, SAFETY - MOWER DECK
8	07800402	1	DECAL, SAFETY - DECK GUARDING
9	07800820	1	DECAL, FUEL WARNING
10	07801006	1	DECAL, DASH - PROSTANCE EFI
11	02988100	1	DECAL, DANGER

DECALS – STYLES – 48"

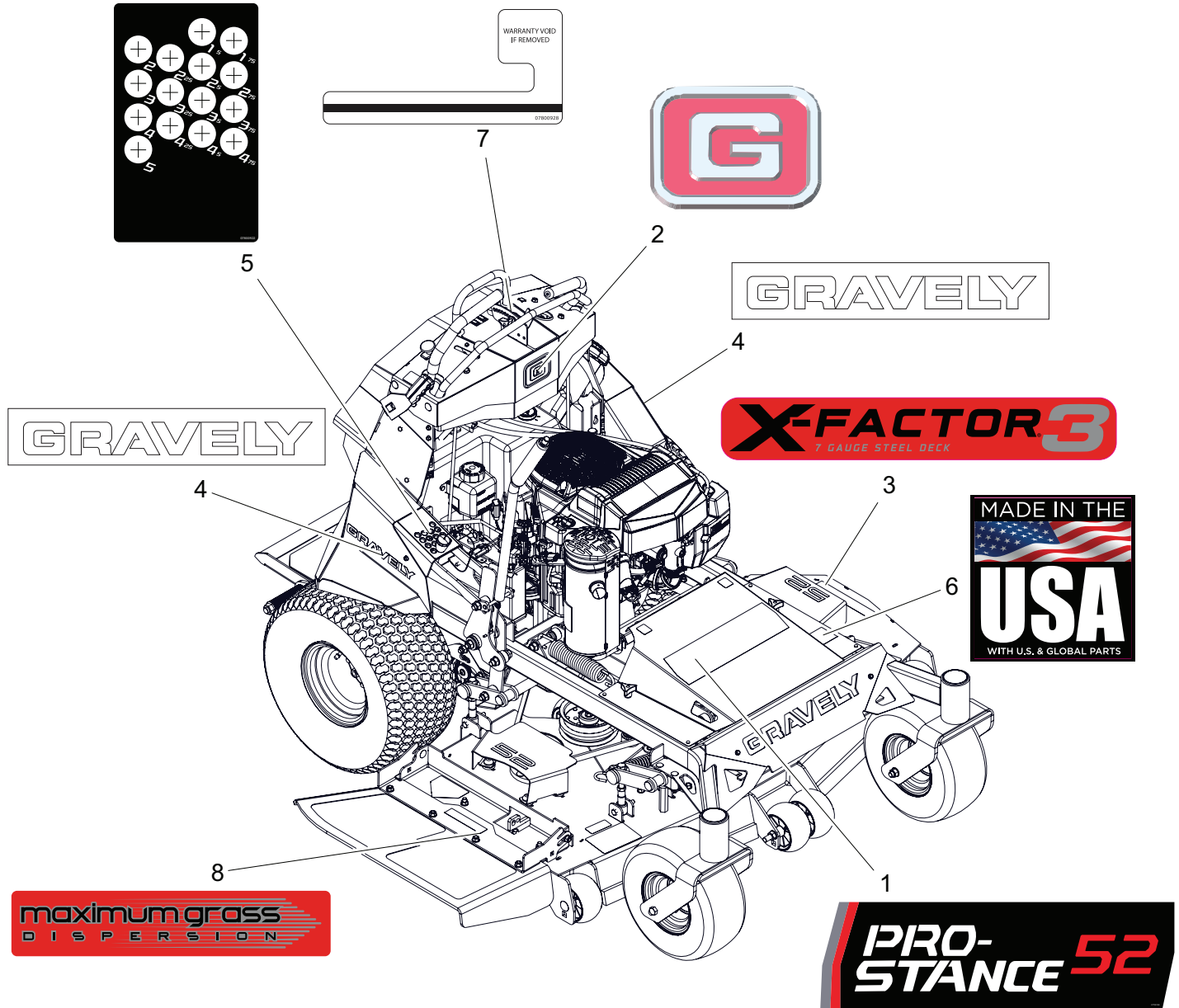
Model 994161



BOM ID	Number	Qty	Description
1	07700137	1	DECAL, PRO-STANCE 48"
2	07800534	1	DECAL, GRAVELLY BRAND
3	07800618	2	DECAL, 9.5" GRAVELLY LOGO
4	07800922	1	DECAL, DECK - HEIGHT ADJUST
5	07800928	1	DECAL, HOURMETER - SECURITY
6	07801229	1	DECAL, DECK - MAX GRASS
7	07801232	1	DECAL, DECK - X-FACTOR 3
8	08001038	1	DECAL, MADE IN USA

DECALS – STYLES – 52"

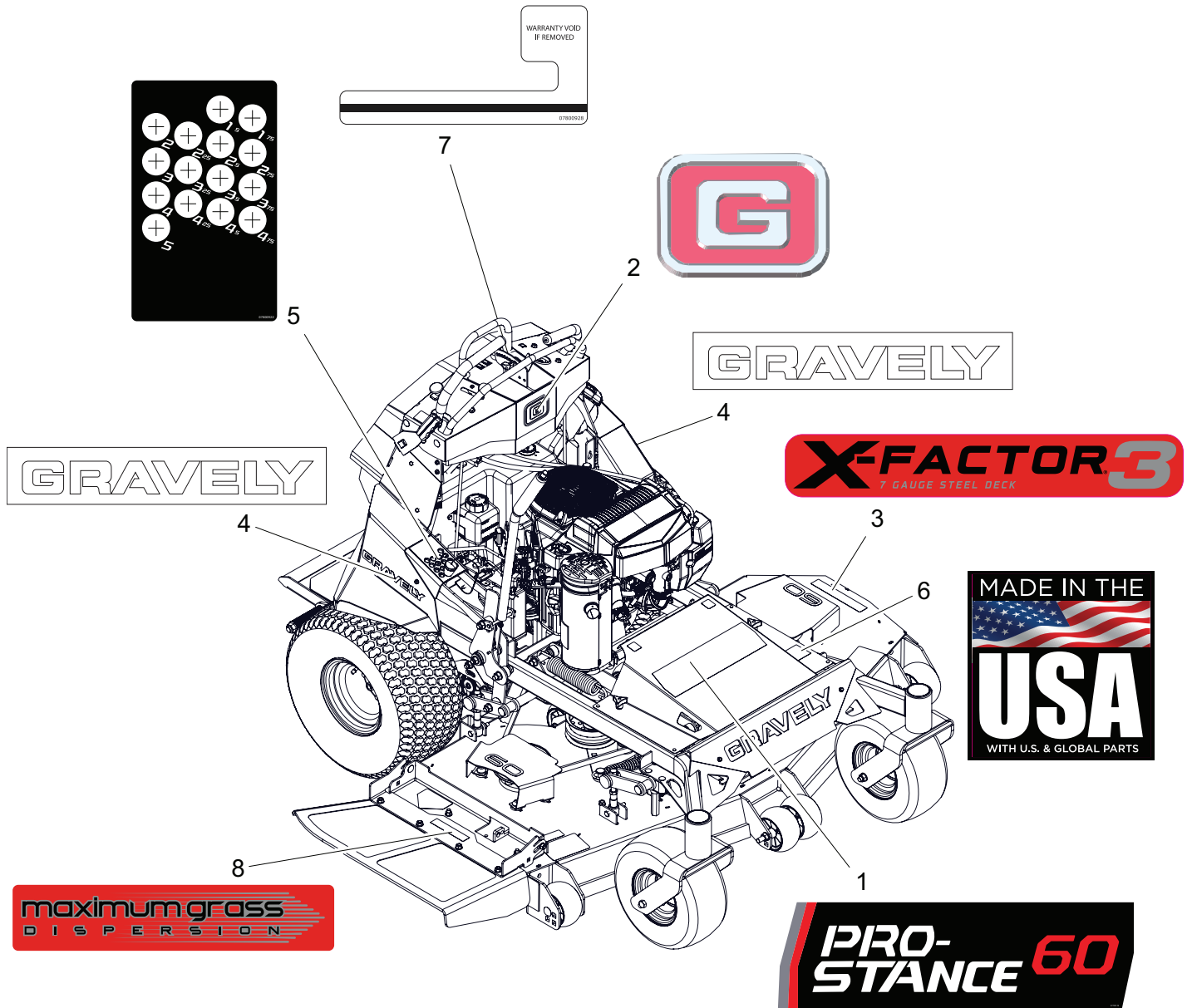
Models 994162, 163



BOM ID	Number	Qty	Description
1	07700138	1	DECAL, PRO-STANCE 52"
2	07800534	1	DECAL, GRAVELY BRAND
3	07801232	1	DECAL, DECK - X-FACTOR 3
4	07800618	2	DECAL, 9.5" GRAVELY LOGO
5	07800922	1	DECAL, DECK - HEIGHT ADJUST
6	08001038	1	DECAL, MADE IN USA
7	07800928	1	DECAL, HOURMETER - SECURITY
8	07801229	1	DECAL, DECK - MAX GRASS

DECALS – STYLES – 60"

Models 994164, 165



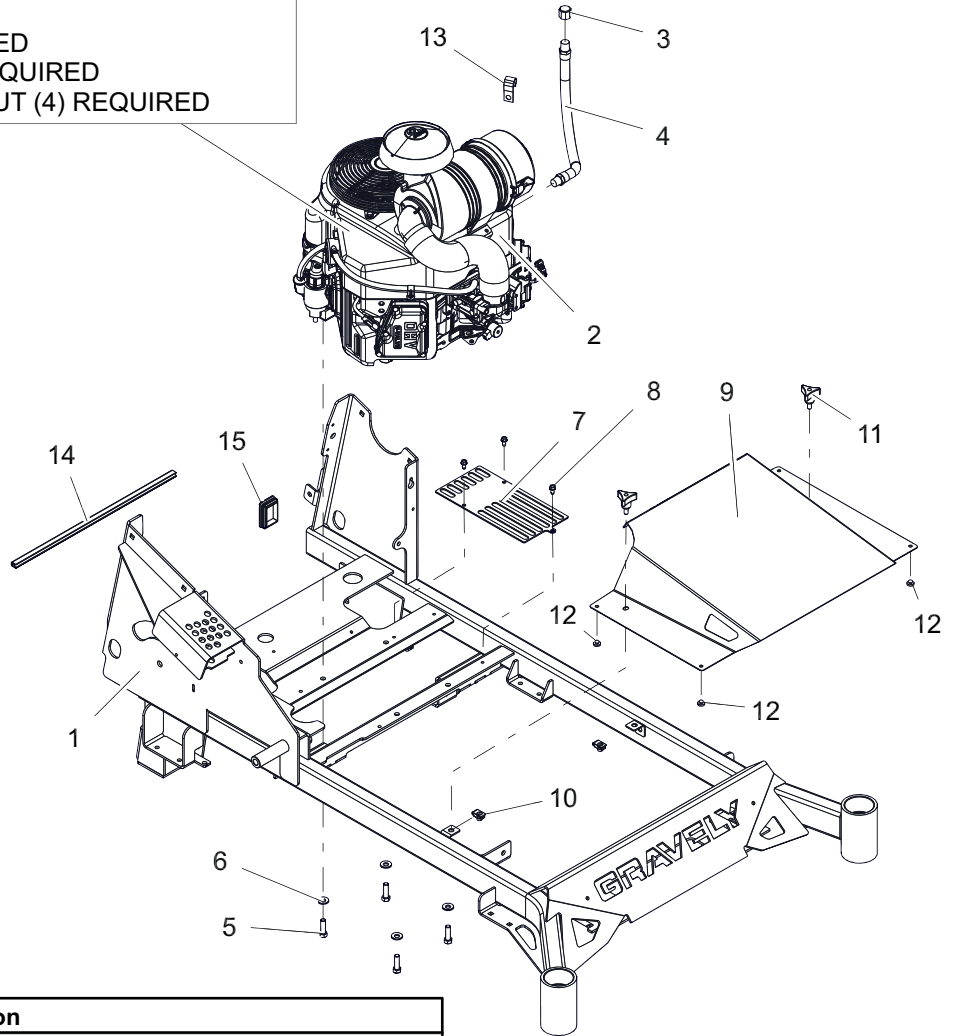
BOM ID	Number	Qty	Description
1	07700139	1	DECAL, PRO-STANCE 60"
2	07800534	1	DECAL, GRAVELY BRAND
3	07801232	1	DECAL, DECK - X-FACTOR 3
4	07800618	2	DECAL, 9.5" GRAVELY LOGO
5	07800922	1	DECAL, DECK - HEIGHT ADJUST
6	08001038	1	DECAL, MADE IN USA
7	07800928	1	DECAL, HOURMETER - SECURITY
8	07801229	1	DECAL, DECK - MAX GRASS

ENGINE AND FRAME

Models 994161, 162, 164

SERVICE PARTS:

- 04088900 - AIR CLEANER RAIN CAP
- 06900426 - CAP HOSE CLAMP
- 03286700 - STARTER SOLENOID LEAD
- 21548800 - AIR FILTER OUTER PRIMARY ELEMENT
- 21548700 - AIR FILTER INNER SAFETY ELEMENT
- 21535800 - OIL FILTER
- 21548101 - FUEL FILTER
- 21536100 - SPARK PLUG (2) REQUIRED
- 00191627 - MUFFLER GASKET (2) REQUIRED
- 06500919 - M8 TOP LOCK FLANGE NUT (4) REQUIRED

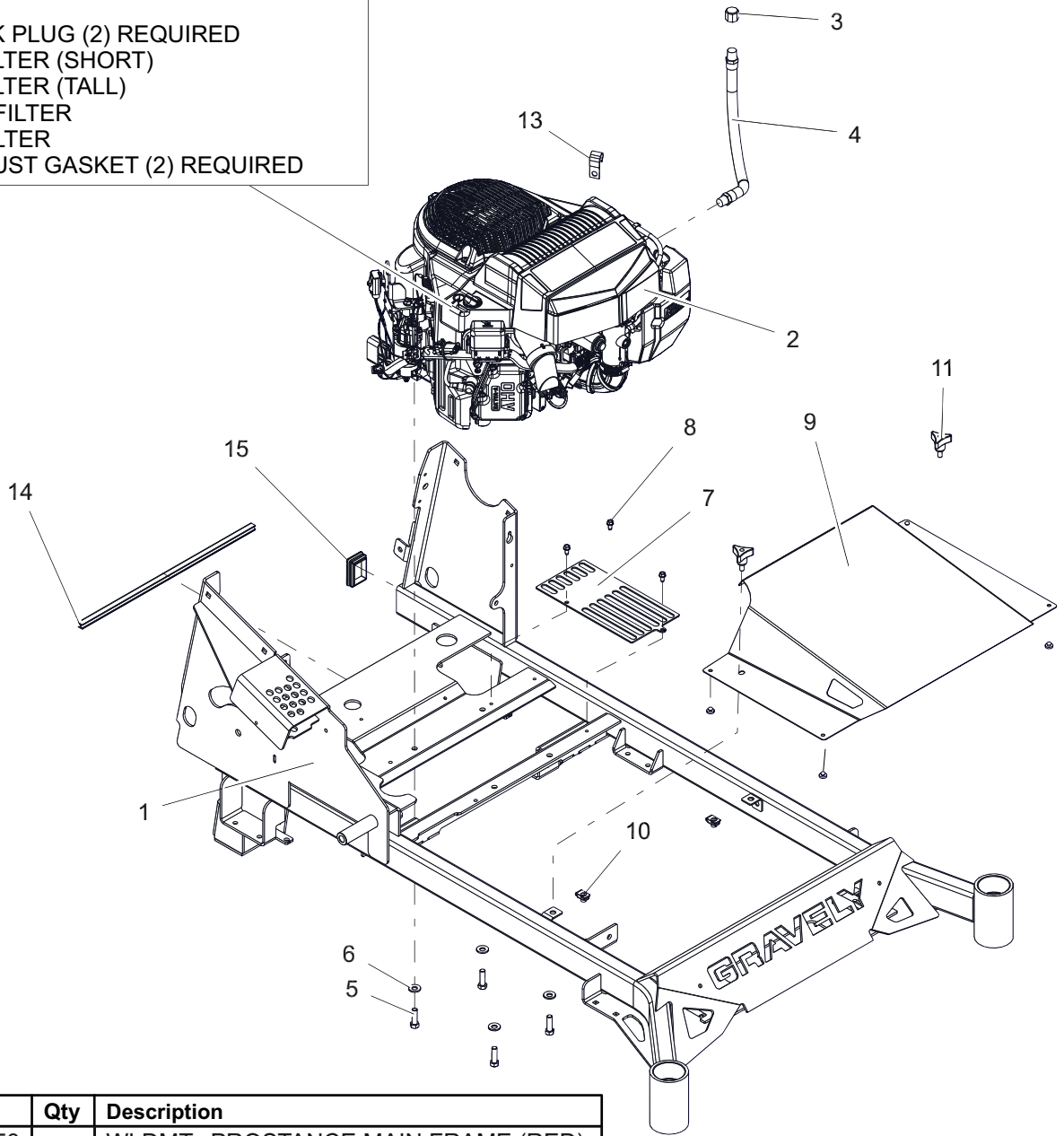


BOM ID	Number	Qty	Description
1	09657553	1	WLDMT, PROSTANCE MAIN FRAME (RED)
2	08200722	1	ENGINE, KAWASAKI
3	03873200	1	PIPE, CAP 3/8 NPT FEMALE
4	04271700	1	DRAIN, M20 OIL
5	05901808	4	BLT, HEX 0.375-16X1.25 GR5 ZCC NT
6	06400927	4	WSHR, 3/8" SPRING DISC
7	05254153	1	GUARD, TRANSAXLE FAN (RED)
8	07400122	3	SCR-TAP .25-20X.50 HWH ZCC
9	05192353	1	COVER, BELT (RED)
10	07000829	2	NUT-CLIP RETAINER 5/16-18X.56
11	07500008	2	KNOB, WING STUD .312-18X.75
12	07503100	4	BUMPER, GROMMET
13	06916000	1	J-CLAMP
14	00918200	1	STRIP, COWL - 3.50 LG
15	07500432	1	PLUG, RECT 1.575 x 2.362

ENGINE AND FRAME – EFI

Models 994163, 165

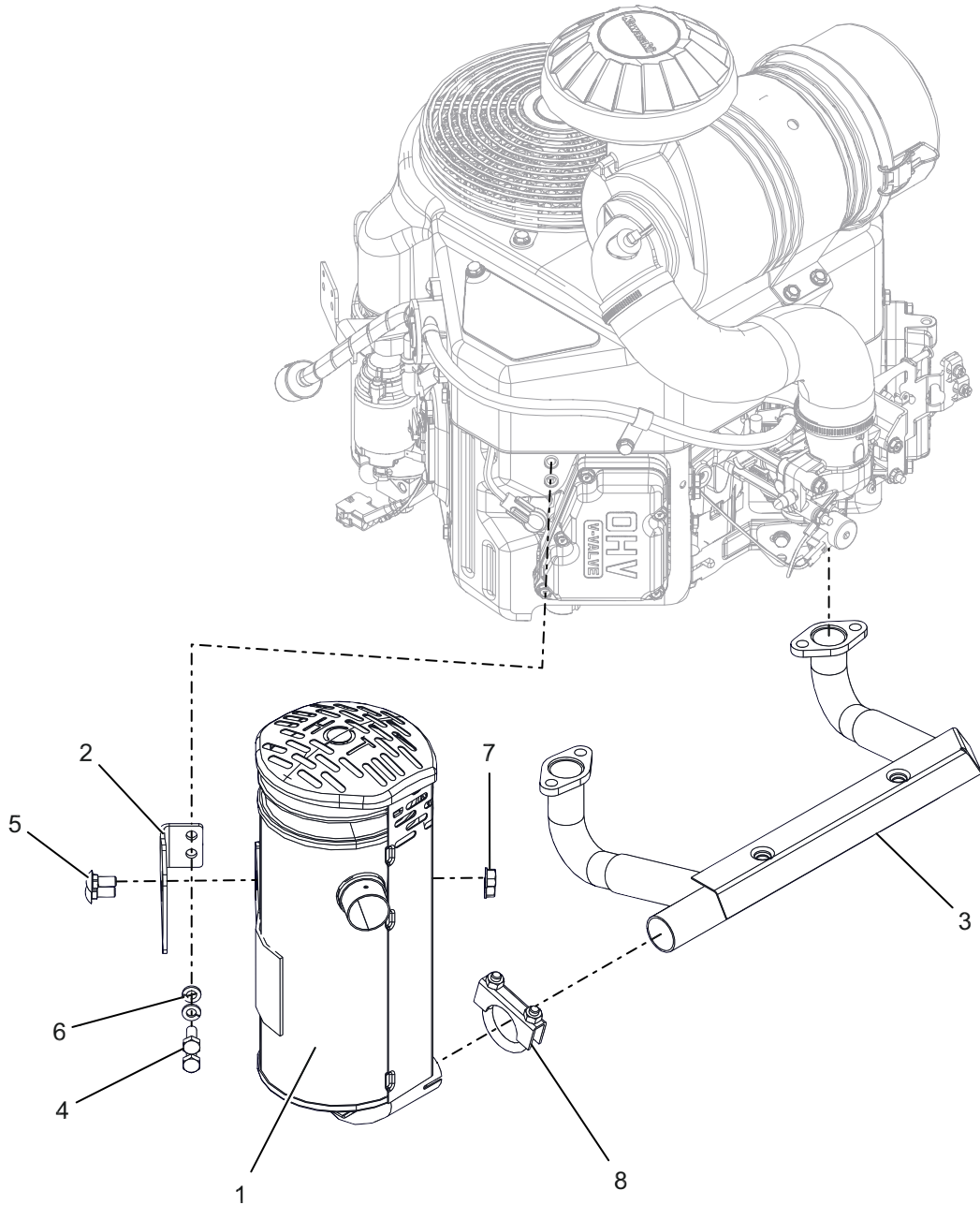
SERVICE PARTS:
 21536100 - SPARK PLUG (2) REQUIRED
 21548100 - OIL FILTER (SHORT)
 21535800 - OIL FILTER (TALL)
 21566000 - FUEL FILTER
 21566100 - AIR FILTER
 00191627 - EXHAUST GASKET (2) REQUIRED



BOM ID	Number	Qty	Description
1	09657553	1	WLDMT, PROSTANCE MAIN FRAME (RED)
2	08201324	1	ENGINE, KAWASAKI FT730
3	03873200	1	PIPE, CAP 3/8 NPT FEMALE
4	04271700	1	DRAIN, M20 OIL
5	05901808	4	BLT, HEX 0.375-16X1.25 GR5 ZCC NT
6	06400927	4	WSHR, 3/8" SPRING DISC
7	05254153	1	GUARD, TRANSAXLE FAN (RED)
8	07400122	3	SCR-TAP .25-20X.50 HWH ZCC
9	05192353	1	COVER, BELT (RED)
10	07000829	2	NUT-CLIP RETAINER 5/16-18X.56
11	07500008	2	KNOB, WING STUD .312-18X.75
13	06916000	1	J-CLAMP
14	00918200	1	STRIP, COWL - 3.50 LG
15	07500432	1	PLUG, RECT 1.575 x 2.362

MUFFLER

Models All

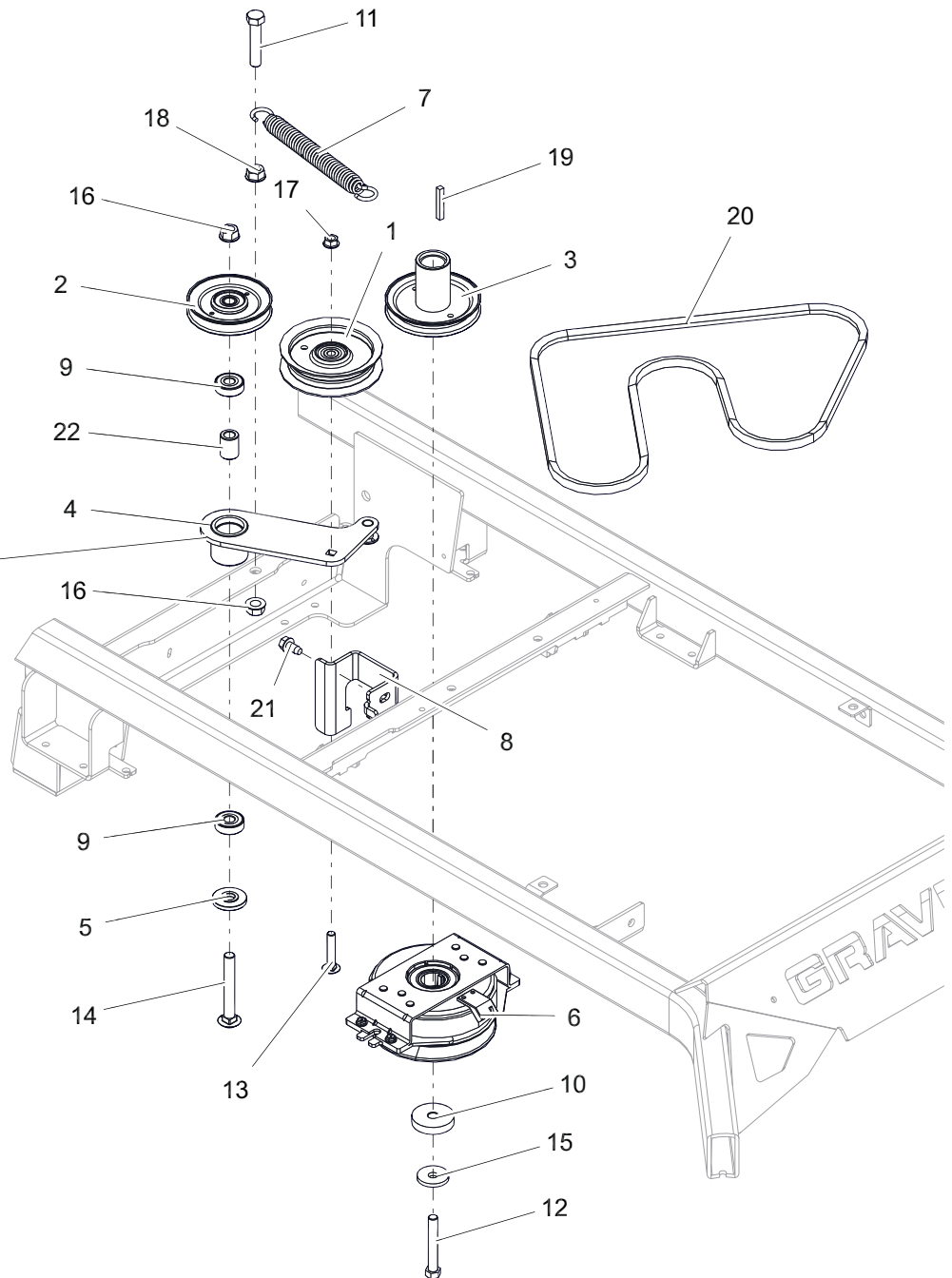


BOM ID	Number	Qty	Description
1	05192200	1	MUFFLER, PROSTANCE
2	05192851	1	BRKT, MFLR MOUNT (BLACK)
3	05258800	1	MANIFOLD, PROSTANCE EXHAUST
4	05901628	2	BLT,HEX M8-1.25X20 G8.8 ZC120
5	06200232	2	BTL,RHSN .313-18 X 0.75 G5 ZCC
6	06300119	2	WSHR,LK-REG 0.314 X 0.078 ZCC
7	06500840	2	NUT, FLG-CTR LK .312-18 GR5 ZCC
8	06900722	1	CLAMP, MUFFLER - 1.438

DRIVE BELT AND CLUTCH

Models All

59405500
PRO STANCE GROUND
DRIVE IDLER
SERVICE ASSEMBLY
INCLUDES:
(1) IDLER ARM
(1) SPACER
(2) BEARINGS

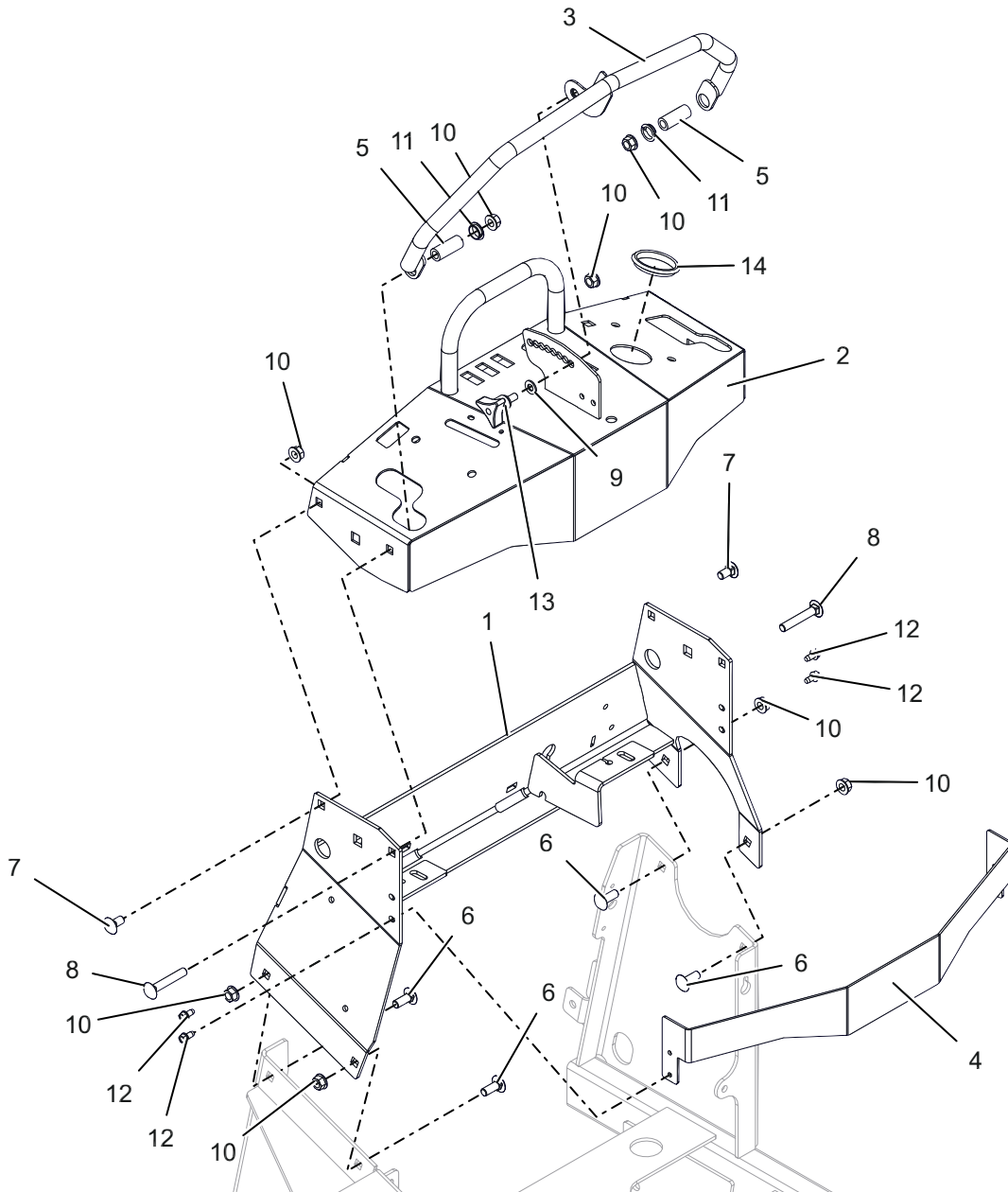


BOM ID	Number	Qty	Description
1	07350100	1	IDLER, FLAT - 4.06" X .75"
2	07344400	1	SHEAVE, IDLER -V .50 X 4.000
3	07352551	1	SHEAVE, ENGINE 4.50 X 1.127 (BLACK)
4	05195100	1	WLDMT, IDLER ARM
5	04714600	1	SPACER FLANGED ARM
6	05143700	1	CLUTCH, OGURA GT2.75-BB05
7	08300728	1	SPRG, EXTENSION - SWIVEL
8	05254351	1	BRKT, CLUTCH STOP (BLACK)
9	05408000	2	BRG-BALL .500X1.375X.44
10	05501222	1	SPCR, .450 X 2.00 X .396
11	05901712	1	BLT, HEX 0.5-13X2.5 GR5 ZC120
12	05901819	1	BLT, HEX 0.4375-20X3 G8 ZCC NT

BOM ID	Number	Qty	Description
13	06200314	1	BTL,RHSN .375-16 X 2 G5 ZCC
14	06200332	1	BTL,RHSN .500-13 X 3.75 G5 ZCC
15	06400936	1	WSHR, 7/16" SPRING DISC
16	06500902	2	NUT, FLG-CTR LK .500-13 GF ZCC
17	06500901	1	NUT, FLG-CTR LK .375-16 GR5 ZC120
18	06500928	1	NUT, FLG-SPNLK .500-13 G5 ZCC
19	06601800	1	KEY-STR .25X1.75X.25
20	07200727	1	V-BELT, A LAMINATED
21	07400129	1	SCR-TAP .38-16X.75 HWH ZCC
22	09357700	1	SPACER SLEEVED SPACER, .510 X .867 X 1.148

TOWER AND DASH

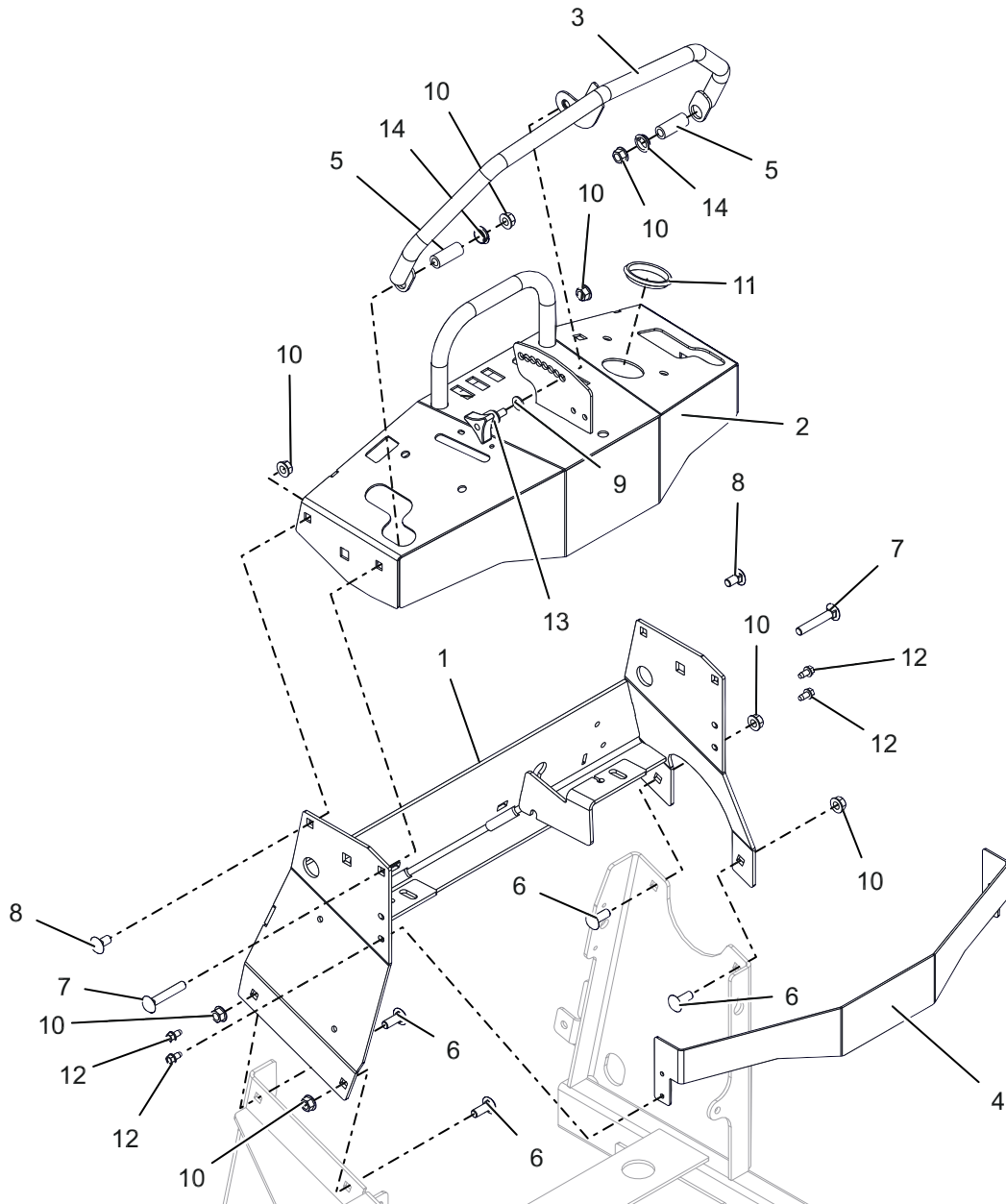
Models 994161, 162, 164



BOM ID	Number	Qty	Description
1	59404900	1	KIT,PROSTANCE TOWER WITH DECAL
2	59404700	1	WLDMT, DASH (RED)
3	05190651	1	WLDMT, CRUISE BAR (BLACK)
4	05259251	1	PLATE, DASH - ACCENT (BLACK)
5	03954800	2	SPACER, .375 X .625 X 1.54
6	06200235	4	BTL,RHSSN .375-16 X 1 G5 ZCC
7	06200312	2	BTL,RHSN .375-16 X 0.75 G5 ZCC
8	06200301	2	BTL,RHSN .375-16 X 2.25 G5 ZCC
9	06401017	1	WSHR-FL-STL 0.344X0.688X0.065 ZC120
10	06500901	8	NUT, FLG-CTR LK .375-16 GR5 ZC120
11	05500021	2	BSHG, POLYLINER - .63 SNAP-IN
12	07400122	4	SCR-TAP .25-20X.50 HWH ZCC
13	07500008	1	KNOB, WING STUD .312-18X.75
14	07500433	1	GROMMET, RUBBER 1.89 ID

TOWER AND DASH – EFI

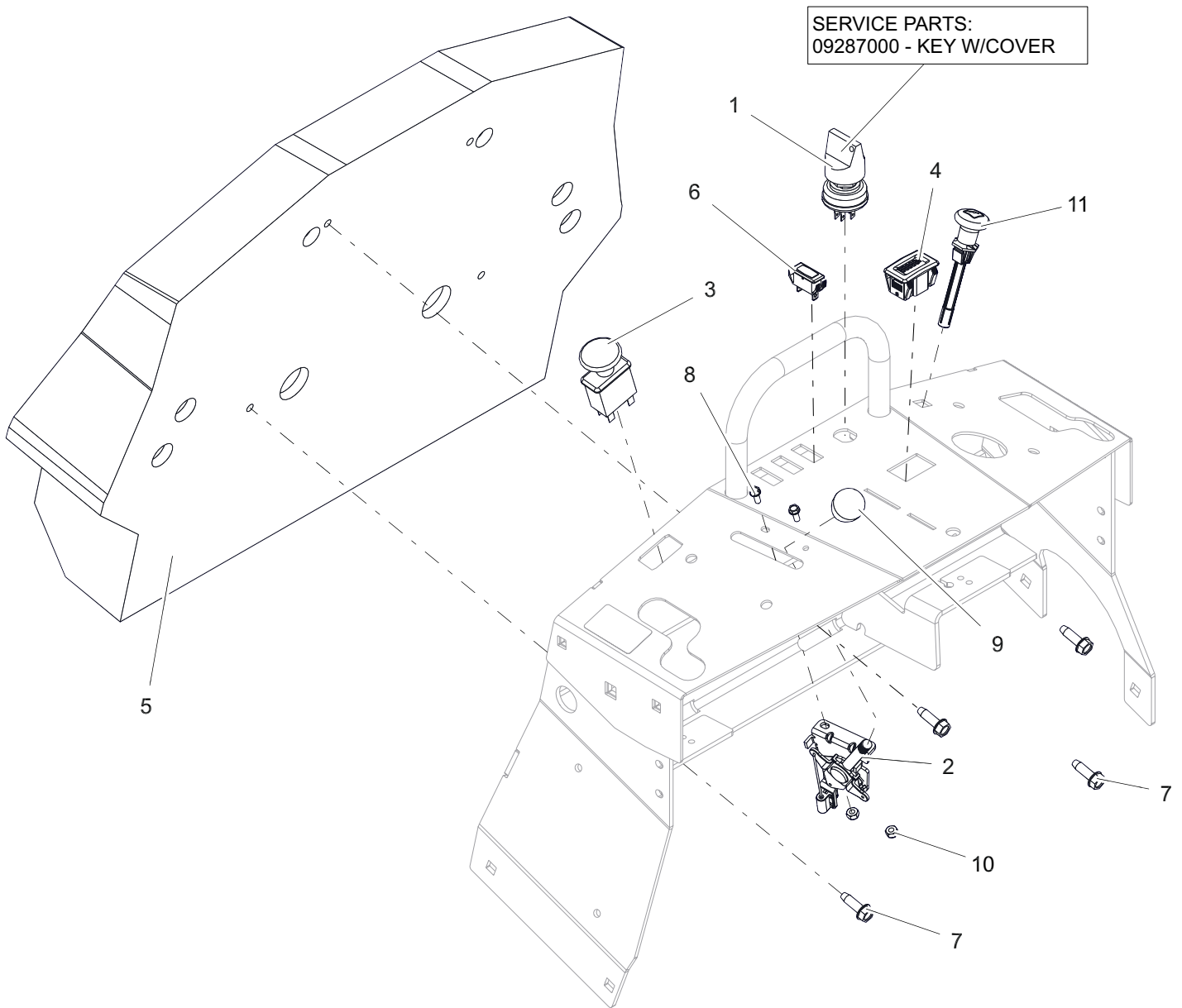
Models 994163, 165



BOM ID	Number	Qty	Description
1	59404900	1	KIT,PROSTANCE TOWER WITH DECAL
2	59404800	1	WLDMT, DASH (RED)
3	05190651	1	WLDMT, CRUISE BAR (BLACK)
4	05259251	1	PLATE, DASH - ACCENT (BLACK)
5	03954800	2	SPACER, .375 X .625 X 1.54
6	06200235	4	BTL,RHSSN .375-16 X 1 G5 ZCC
7	06200301	2	BTL,RHSN .375-16 X 2.25 G5 ZCC
8	06200312	2	BTL,RHSN .375-16 X 0.75 G5 ZCC
9	06401017	1	WSHR-FL-STL 0.344X0.688X0.065 ZC120
10	06500901	8	NUT, FLG-CTR LK .375-16 GR5 ZC120
11	07500433	1	GROMMET, RUBBER 1.89 ID
12	07400122	4	SCR-TAP .25-20X.50 HWH ZCC
13	07500008	1	KNOB, WING STUD .312-18X.75
14	05500021	2	BSHG, POLYLINER - .63 SNAP-IN

OPERATOR PAD AND SWITCHES

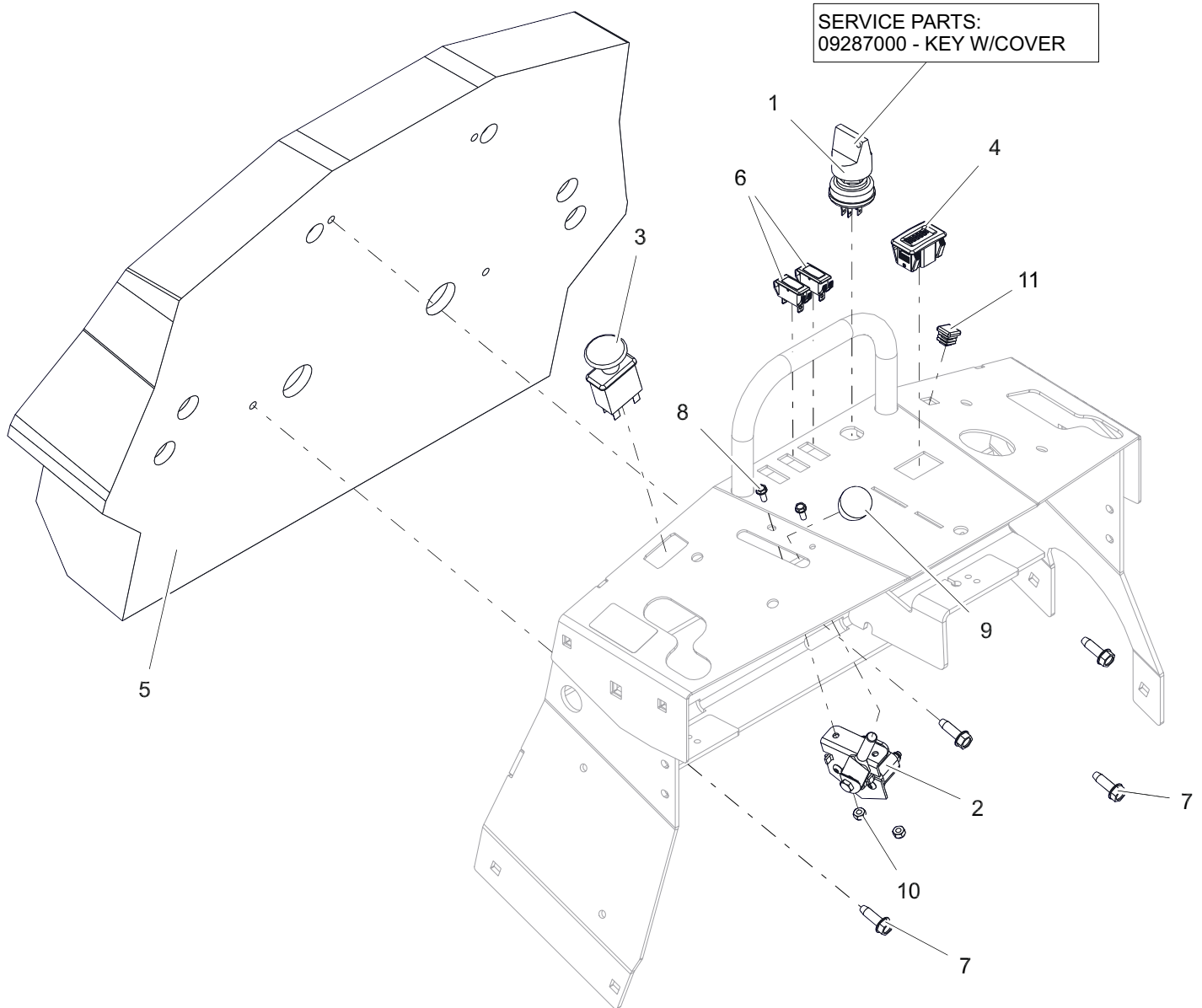
Models 994161, 162, 164



BOM ID	Number	Qty	Description
1	04331600	1	SWITCH, IGNITION
2	06900717	1	CABLE, PRO STANCE - CONTROL 43.00"
3	01545600	1	SWITCH, CLUTCH
4	09497400	1	METER, HOUR - NO PRINT
5	05259100	1	PAD, OPERATOR - PROSTANCE
6	05128700	1	LIGHT, INDICATOR (RED)
7	07400202	4	SCR-TAP .312-18X1.00 HWH ZCC
8	05901825	2	SCR-MCH 10-24X.50 HWH ZCC
9	07500132	1	KNOB, CONTROL BLACK .38-16X.50
10	06500915	2	NUT, LK-NYL #10-24 GR5 ZC120
11	06900408	1	CABLE, CHOKE (SNAP IN)

OPERATOR PAD AND SWITCHES – EFI

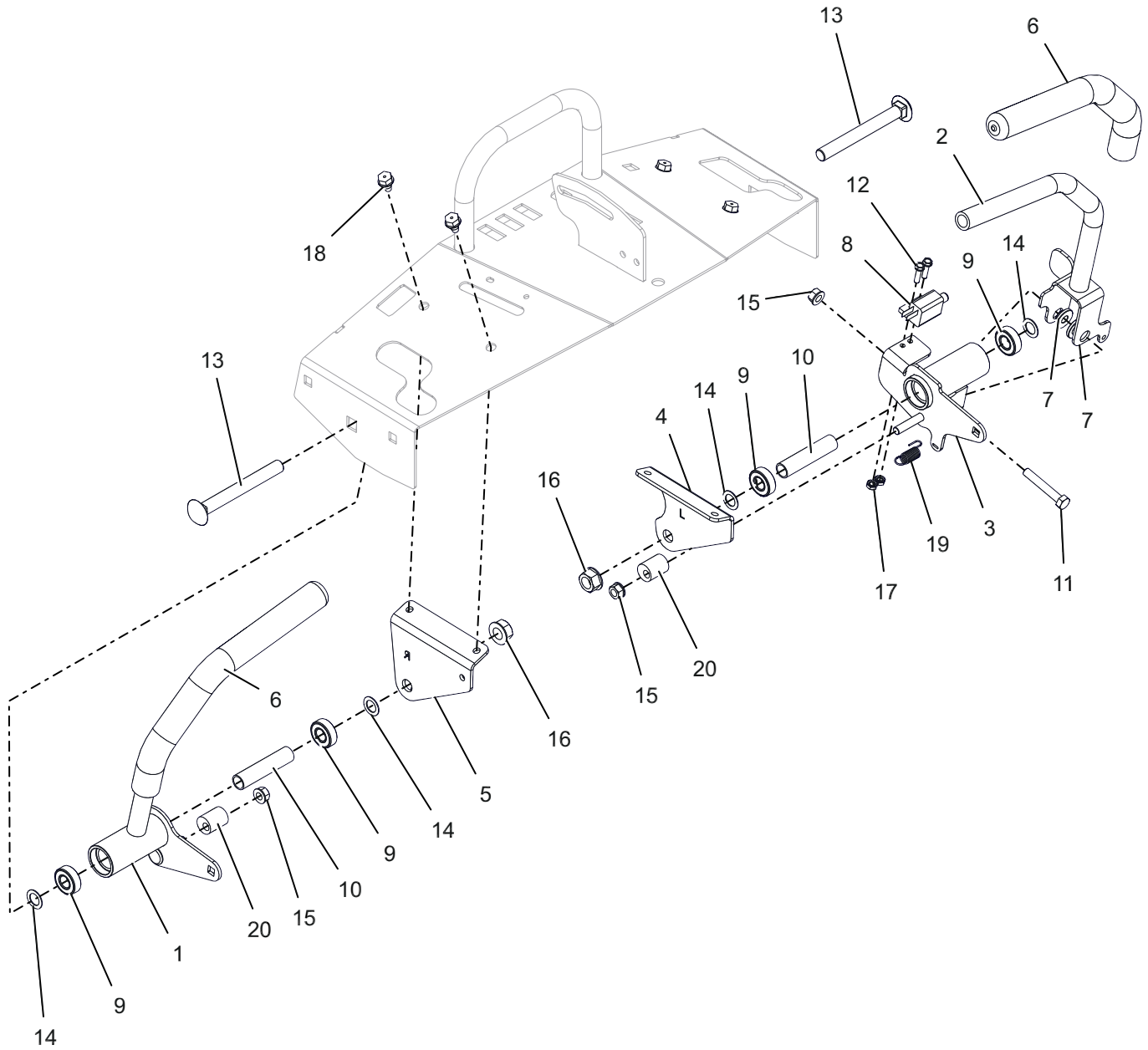
Models 994163, 165



BOM ID	Number	Qty	Description
1	04331600	1	SWITCH, IGNITION
2	06900711	1	CONTROL, ELECTRONIC THROTTLE
3	01545600	1	SWITCH, CLUTCH
4	09497400	1	METER, HOUR - NO PRINT
5	05259100	1	PAD, OPERATOR - PROSTANCE
6	05128700	2	LIGHT, INDICATOR (RED)
7	07400202	4	SCR-TAP .312-18X1.00 HWH ZCC
8	05901825	2	SCR-MCH 10-24X.50 HWH ZCC
9	07500132	1	KNOB, CONTROL BLACK .38-16X.50
10	06500915	2	NUT, LK-NYL #10-24 GR5 ZC120
11	07500123	1	PLUG, SQ -.625" BLACK (14-20 GA)

DRIVE CONTROLS

Models All

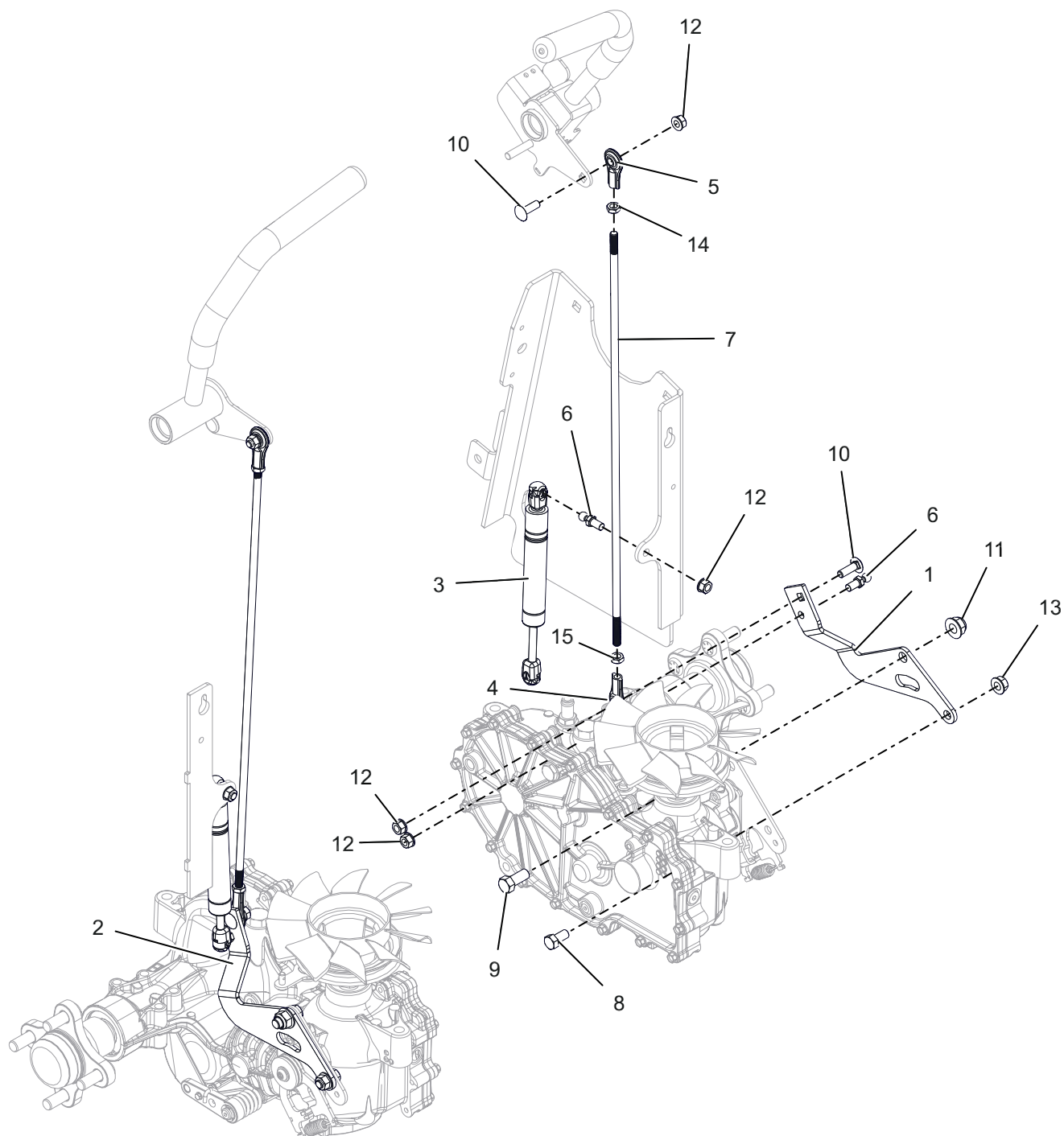


BOM ID	Number	Qty	Description
1	05190751	1	WLDMT, RH DRIVE CONTROL (BLACK)
2	05190851	1	WLDMT, LH HANDLE ASM (BLACK)
3	05190951	1	WLDMT, LH DRIVE CONTROL (BLACK)
4	05194251	1	BRKT, LH DRIVE CONTROL MTG (BLACK)
5	05194351	1	BRKT, RH DRIVE CONTROL MTG (BLACK)
6	00675200	2	GRIP, HANDLEBAR REV
7	01305900	2	BSHG, FLG .325X.499X.26X.88
8	03657100	1	SWITCH, SINGLE POLE - N.O.
9	05400007	4	BRG-BALL .500X1.125X.375
10	05501332	2	SPCR, .510 X .625 X 2.750
11	05901805	1	BLT, HEX 0.3125-18X2 GR5 ZCC

BOM ID	Number	Qty	Description
12	05901837	2	SCR-MCH 10-24X.75 HWH ZCC
13	06200240	2	BTL,RHSN .500-13 X 4.5 G5 ZCC
14	06401133	4	WSHR-FL-STL 0.52X0.81X0.033 ZCC
15	06500840	3	NUT, FLG-CTR LK .312-18 GR5 ZCC
16	06500902	2	NUT, FLG-CTR LK .500-13 GG ZCC
17	06500934	2	NUT-KEPS 10-24
18	07400124	4	SCR-TAP .312-18X.50 HWH ZCC
19	08300036	1	SPRG, EXTENSION
20	09235700	2	ECCENTRIC

DRIVE CONTROLS (CONT.)

Models All

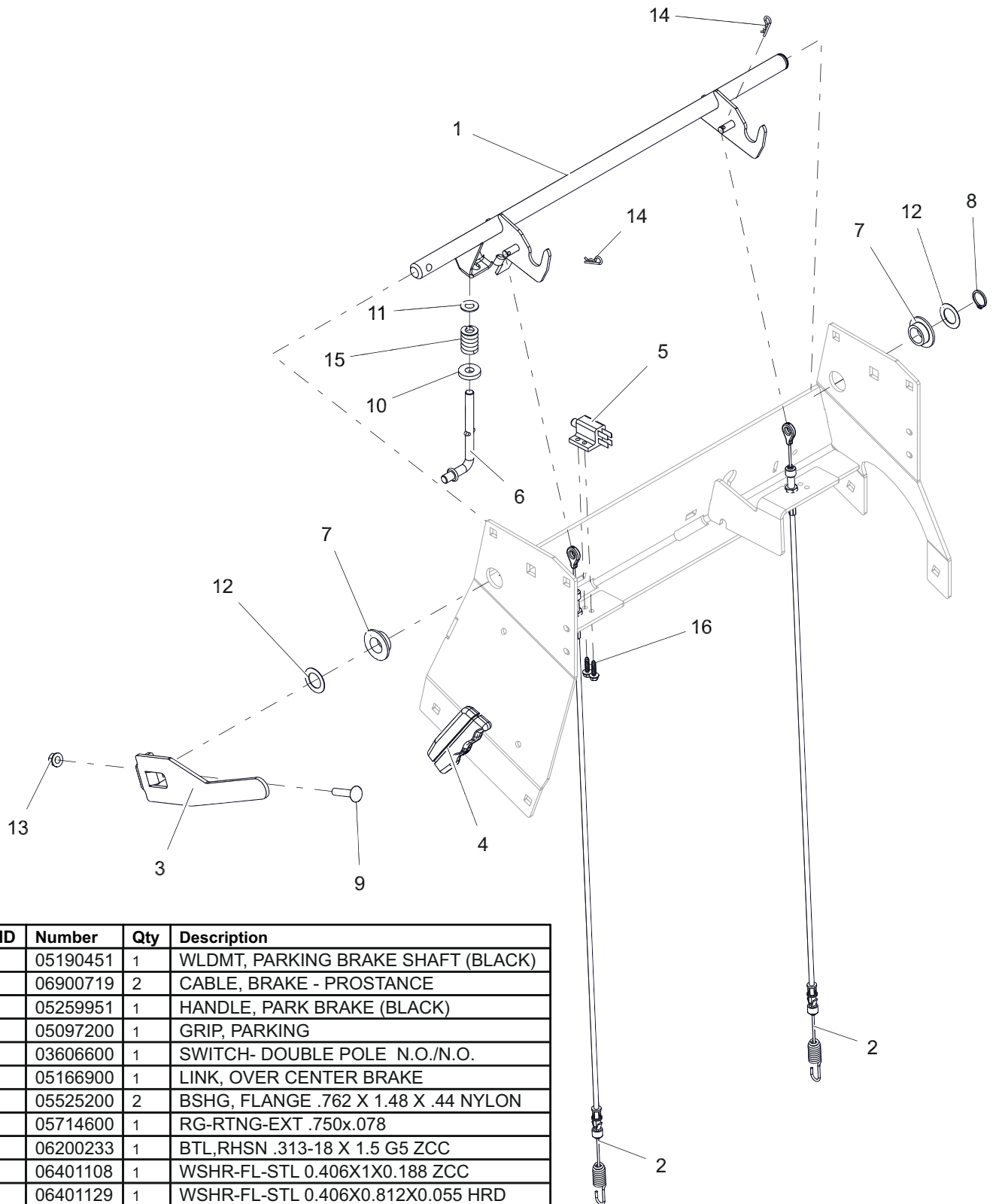


BOM ID	Number	Qty	Description
1	05193151	1	ARM, LH DRIVE CONTROL (BLACK)
2	05193251	1	ARM, RH DRIVE CONTROL (BLACK)
3	03914100	2	DAMPER, CONTROL
4	03787100	2	ALIGNABALL, 5/16 RH THREAD
5	03787200	2	ALIGNABALL, 5/16 LH THREAD
6	03652200	4	STUD-BALL
7	05194700	2	ROD, STEERING
8	05901702	2	BLT, HEX 0.375-16X0.75 GR5 ZC120

BOM ID	Number	Qty	Description
9	05901913	2	BLT, HEX 0.4375-14X1 GR5 ZCC
10	06200237	4	BTL,RHSSN .313-18 X 1 G5 ZCC
11	06500811	2	NUT, LK-NYL-FLG .44-14 GR5 ZC120
12	06500840	8	NUT, FLG-CTR LK .312-18 GR5 ZCC
13	06500901	2	NUT, FLG-CTR LK .375-16 GR5 ZC120
14	06501002	2	NUT, JAM-LH .312-24 ZCC
15	06500923	2	NUT, HEX-JAM .312-24 ZCC

PARKING BRAKE

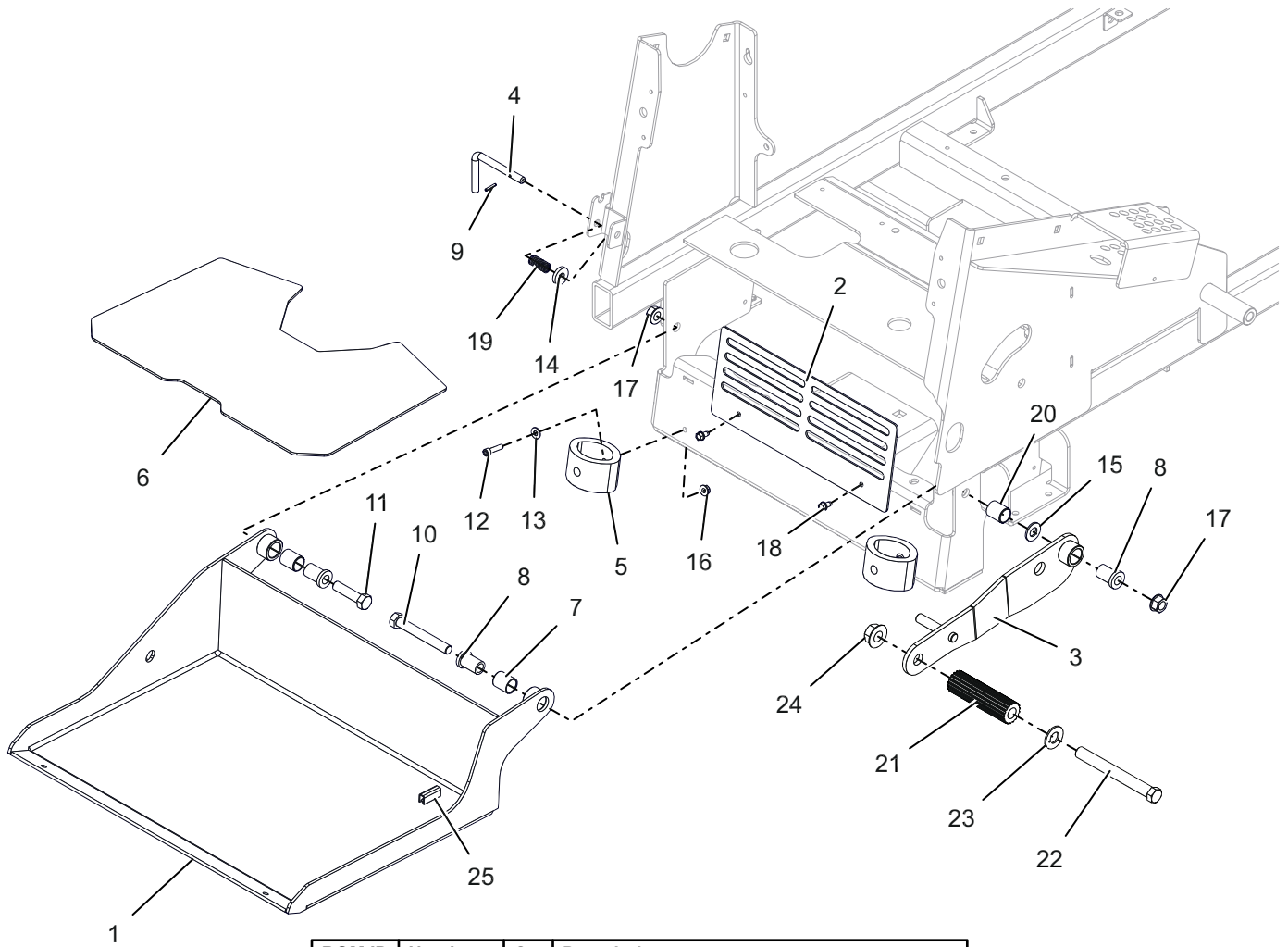
Models All



BOM ID	Number	Qty	Description
1	05190451	1	WLDMT, PARKING BRAKE SHAFT (BLACK)
2	06900719	2	CABLE, BRAKE - PROSTANCE
3	05259951	1	HANDLE, PARK BRAKE (BLACK)
4	05097200	1	GRIP, PARKING
5	03606600	1	SWITCH- DOUBLE POLE N.O./N.O.
6	05166900	1	LINK, OVER CENTER BRAKE
7	05525200	2	BSHG, FLANGE .762 X 1.48 X .44 NYLON
8	05714600	1	RG-RTNG-EXT .750x.078
9	06200233	1	BTL,RHSN .313-18 X 1.5 G5 ZCC
10	06401108	1	WSHR-FL-STL 0.406X1X0.188 ZCC
11	06401129	1	WSHR-FL-STL 0.406X0.812X0.055 HRD
12	06401136	2	WSHR-FL-STL 0.76X1.225X0.032 ZCC
13	06500840	1	NUT, FLG-CTR LK .312-18 GR5 ZCC
14	06700222	2	PIN, HAIR #213 .08X1.19 ZCC
15	08320900	1	SPRG, COMPRESSION
16	06100232	2	SCR, PLASTITE-HWH 0.2 X 0.75 ZC120

OPERATOR PLATFORM

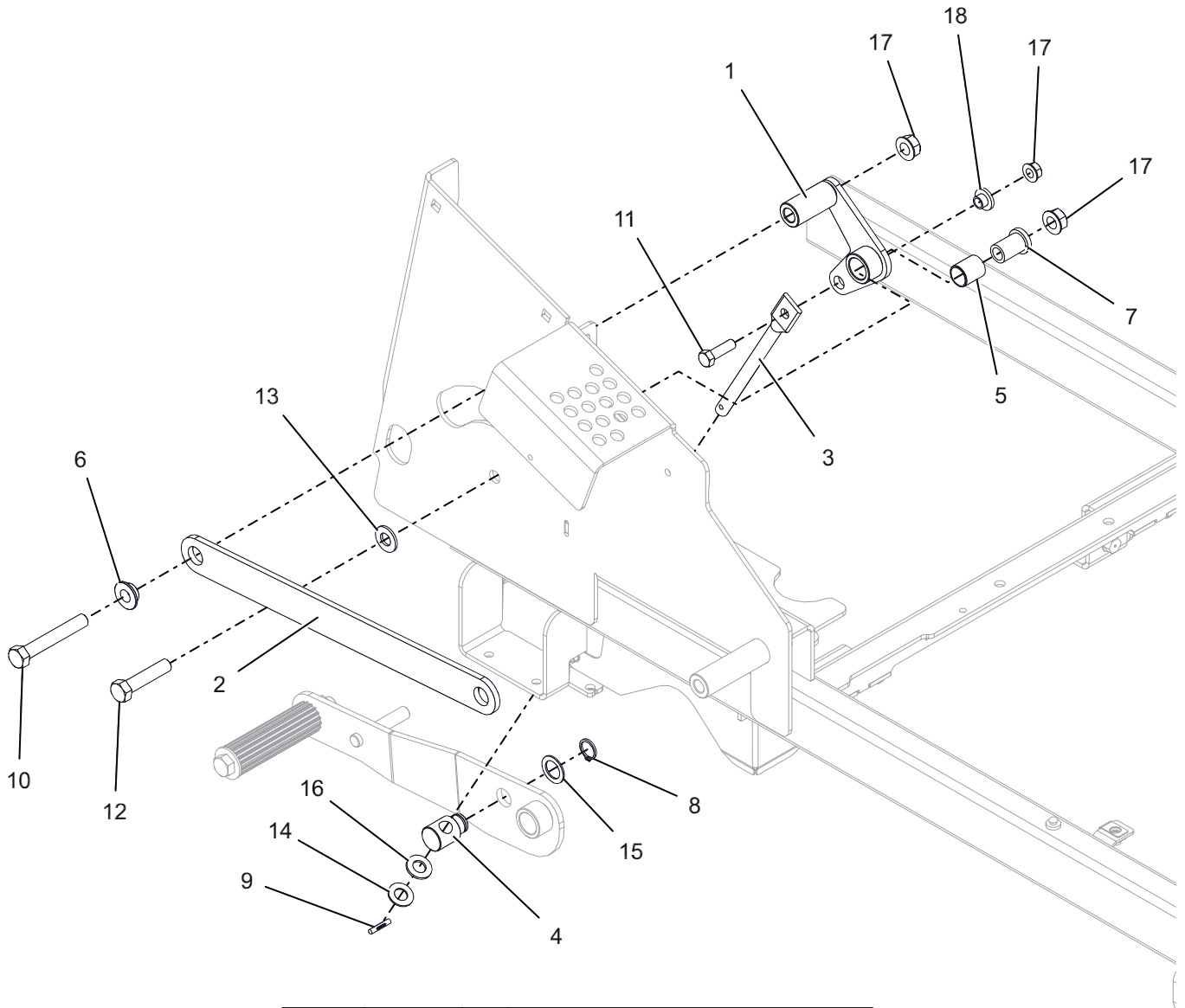
Models All



BOM ID	Number	Qty	Description
1	05192451	1	WLDMT, OPERATOR PLATFORM (BLACK)
2	05254253	1	GUARD, FOOT (RED)
3	05199551	1	WLDMT, DECK LIFT FOOT ASSIST (BLACK)
4	05254400	1	PIN, PLATFORM LOCK
5	05255200	2	BUMPER, PLATFORM
6	05258700	1	TAPE, OPERATOR PLATFORM GRIP
7	05435900	2	BRG, .750 X .875 X 1.000
8	05527200	3	BSHG, FLANGE
9	05803400	1	PIN-ROLL .125X.750
10	05901703	1	BLT, HEX 0.5-13X3.75 GR5 ZC120
11	05901929	1	BLT, HEX 0.5-13X2 GR5 ZCC
12	05902033	2	SCR, SKH .25-20X1.00
13	06401001	2	WSHR-FL-STL 0.281X0.625X0.065 ZC120
14	06401108	1	WSHR-FL-STL 0.406X1X0.188 ZCC
15	06401015	1	WSHR-FL-STL 0.531X1.062X0.095 ZC120
16	06500821	2	NUT, FLG-CTR LK .250-20 GR5 ZC120
17	06500902	2	NUT, FLG-CTR LK .500-13 GG ZCC
18	07400122	2	SCR-TAP .25-20X.50 HWH ZCC
19	08300028	1	SPRG, COMPRESSION
20	05435900	1	BRG, .750 X .875 X 1.000
21	05120951	1	ROD, FOOT PEDAL (BLACK)
22	05901730	1	BLT, HEX 0.625-11X5.5 GR5 ZB500
23	06401039	1	WSHR-FL-STL 0.656X1.312X0.095 RIE5230
24	06500835	1	NUT,FLG-TOP LK .625-11 FBP
25	00918200	1	STRIP, COWL - 1.25 LG

DECK LIFT FOOT ASSIST

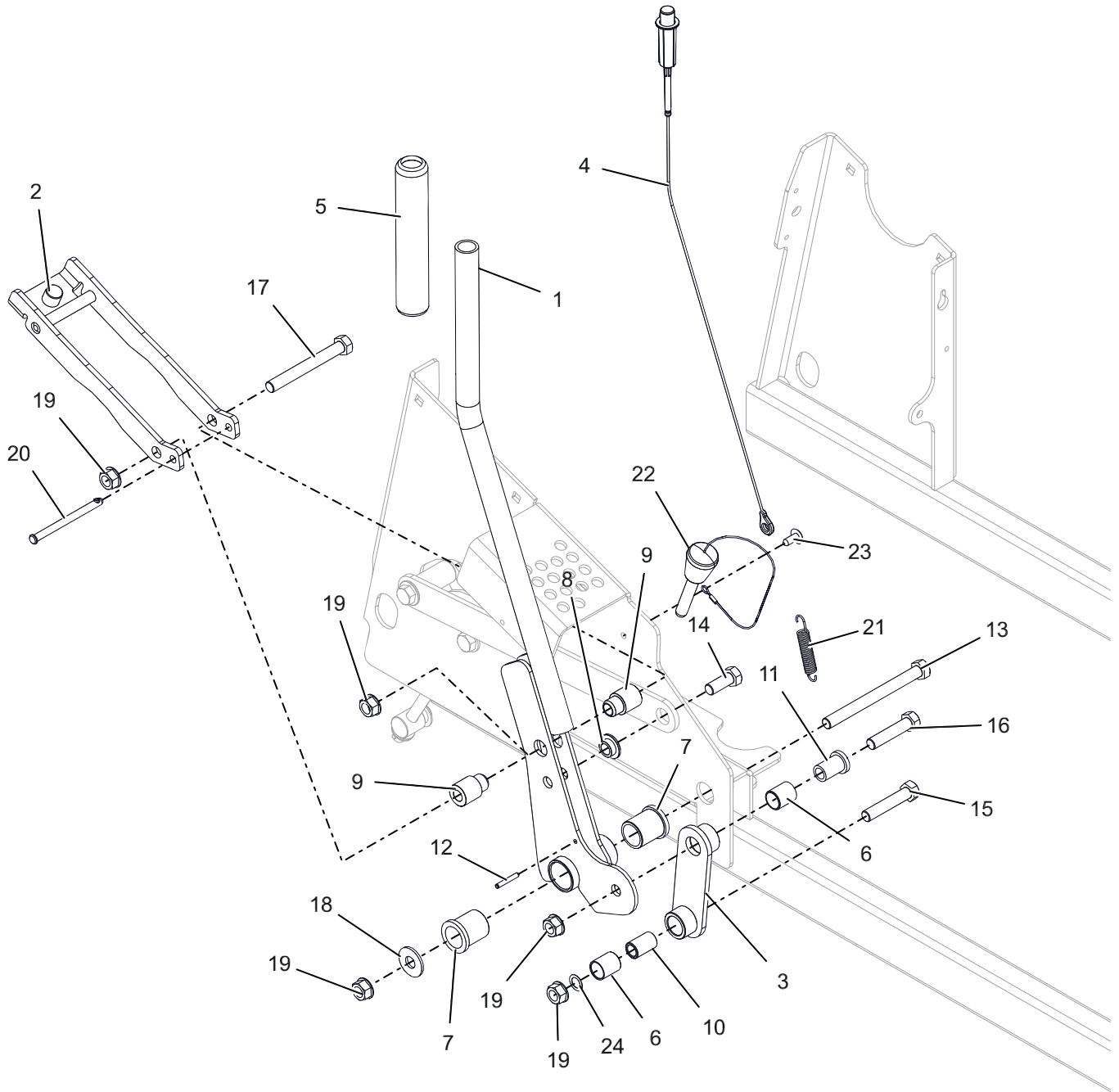
Models All



BOM ID	Number	Qty	Description
1	05199651	1	WLDMT, PIVOT BRKT (BLACK)
2	05199251	1	LINK, DECK LIFT FOOT ASSIST (BLACK)
3	05199300	1	LINK, HOC FOOT
4	05199400	1	TRUNNION, DECK LIFT FOOT ASSIST
5	05435900	1	BRG, .750 X .875 X 1.000
6	05501135	1	BSHG, FLANGE .515X.750X.420X1.12
7	05527200	1	BSHG, FLANGE
8	05714600	1	RG-RTNG-EXT .750x.078
9	05807200	1	PIN-GRV .1865 X 1.00 TP E
10	05901634	1	BLT, HEX 0.5-13X3.25 GR5 ZC120
11	05901724	1	BLT, HEX 0.375-16X1.25 GR5 ZC120
12	05901835	1	BLT, HEX 0.5-13X2.25 GR5 ZCC
13	06401015	1	WSHR-FL-STL 0.531X1.062X0.095 ZC120
14	06401115	1	WSHR-FL-STL 0.531X1X0.063 ZCC
15	06401119	1	WSHR-FL-STL 0.754X1.125X0.062 ZCC
16	06401209	1	WSHR, RUBBER .531 X 1.000 X .094
17	0650090	3	NUT, FLG-CTR LK .
18	05500435	1	BSHG, FLG .385 X .500 X .875 X .406

HEIGHT OF CUT

Models All

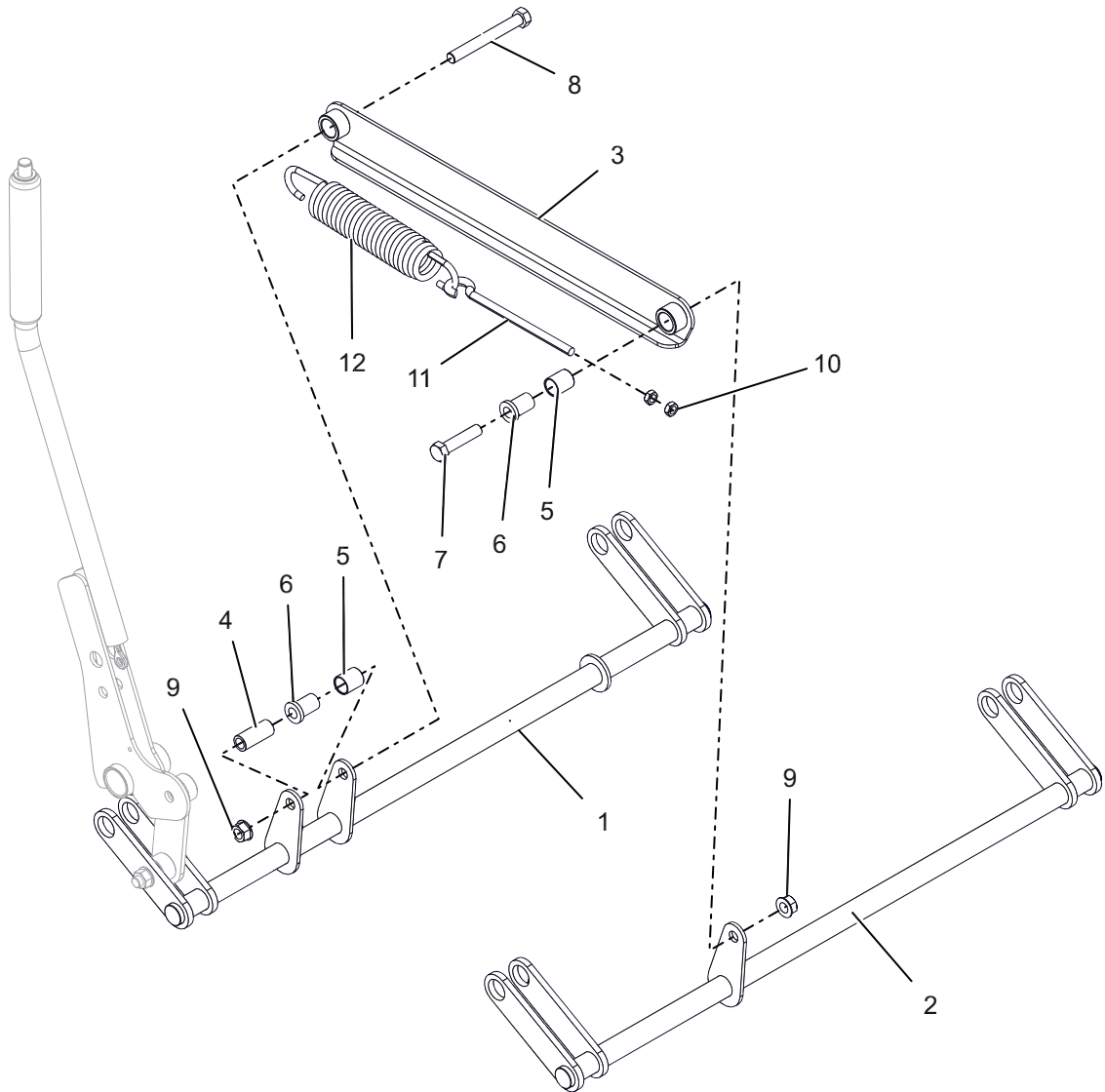


BOM ID	Number	Qty	Description
1	05190551	1	WLDMT, HOC LEVER (BLACK)
2	05193951	1	WLDMT, HOC BRACKET (BLACK)
3	05198851	1	WLDMT, HOC LEVER LINK (BLACK)
4	06900718	1	CABLE, HOC PUSH CONTROL
5	05242500	1	GRIP, DECK LIFT
6	05400729	2	BRG, .750 X .875 X 1.000
7	05500934	2	BSHG-FLG 1.00X1.25X1.5X1.5
8	05501135	1	BSHG, FLANGE .515X.750X.420X1.12
9	05501333	2	BSHG, FLANGE .515 X .750 X 1.544 X 1.000
10	05501338	1	SPCR, SLV .532 X .750 X 1.150
11	05527200	1	BSHG, FLANGE
12	05800300	1	PIN-ROLL .188X1.25
13	05901632	1	BLT, HEX 0.5-13X5.5 GR5 ZC120

BOM ID	Number	Qty	Description
14	05901637	1	BLT, HEX 0.5-13X1.25 GR5 ZC120
15	05901712	1	BLT, HEX 0.5-13X2.5 GR5 ZC120
16	05901835	1	BLT, HEX 0.5-13X2.25 GR5 ZCC
17	05901906	1	BLT, HEX 0.5-13X4.25 GR5 ZCC
18	06401012	1	WSHR-FL-STL 0.563X1.375X0.109 ZC120
19	06500902	5	NUT, FLG-CTR LK .500-13 GG ZCC
20	06800204	1	PIN, SLIC-.3125X4.015X3.625 -ZCC
21	08300516	1	SPRG, EXTENSION
22	06800203	1	PIN, MAGNETIC .50X2.50
23	P80-332-A	1	XMAS TREE FASTNER-BLACK
24	06400015	1	WASHER-FLAT-STL, .500 X .750 X .020

DECK LIFT

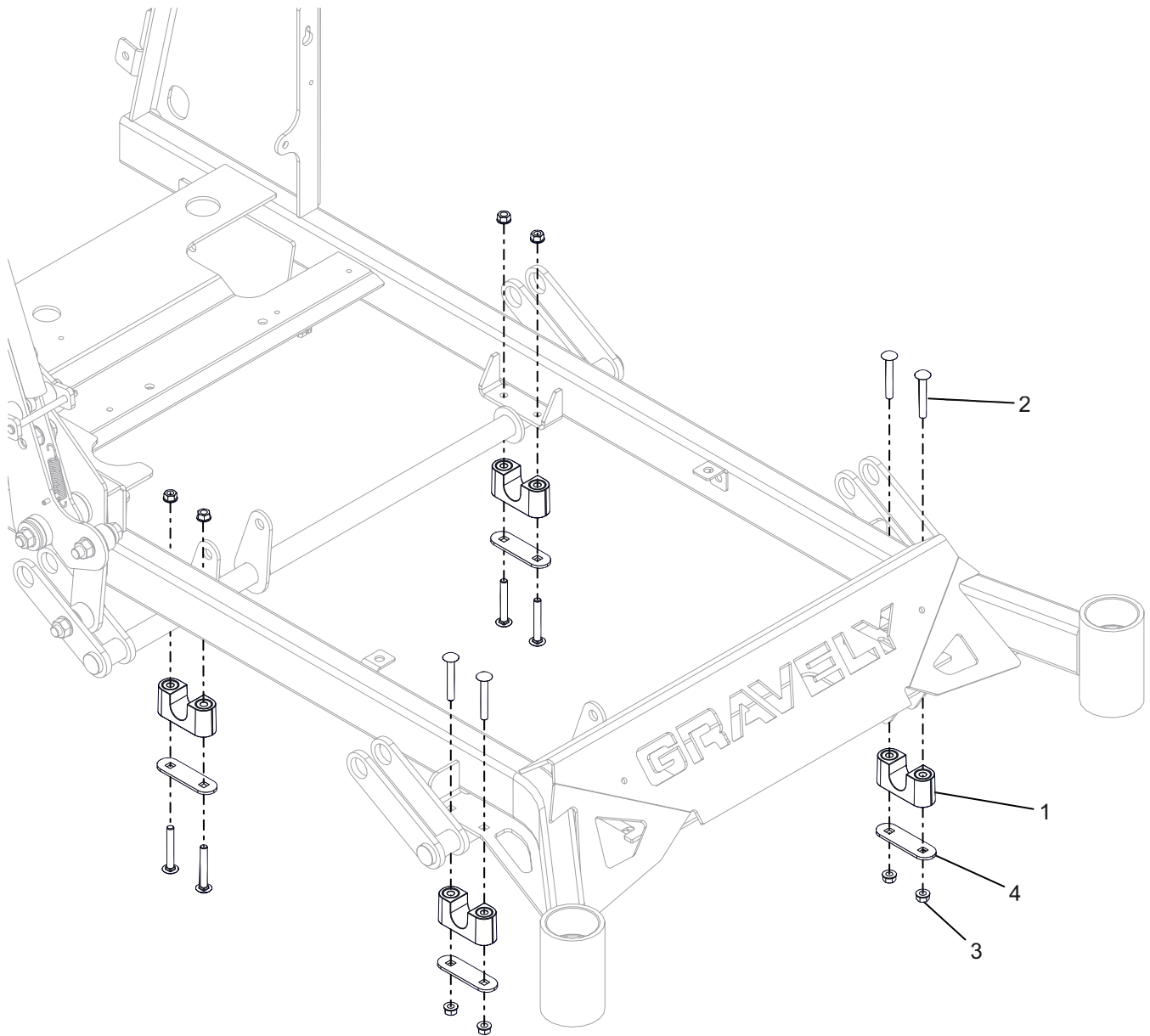
Models All



BOM ID	Number	Qty	Description
1	05198051	1	WLDMT, REAR DECK LIFT (BLACK)
2	05250051	1	WLDMT, FRONT DECK LIFT (BLACK)
3	05198551	1	WLDMT, DECK LIFT LINK (BLACK)
4	05264100	1	BSHG, FLANGE .515 X .750 X 1.544 X 1.000
5	05400729	2	BRG, .750 X .875 X 1.000
6	05527200	2	BSHG, FLANGE
7	05901835	1	BLT, HEX 0.5-13X2.25 GR5 ZCC
8	05901906	1	BLT, HEX 0.5-13X4.25 GR5 ZCC
9	06500902	2	NUT, FLG-CTR LK .500-13 GG ZCC
10	06500910	2	NUT-JAM .375-16 GR2 ZCC
11	07001604	1	BOLT, .38-16X6.00 .62 DIA EYE
12	08300715	1	SPRG, EXTENSION - .273X1.853X.10.125

DECK LIFT MOUNTS

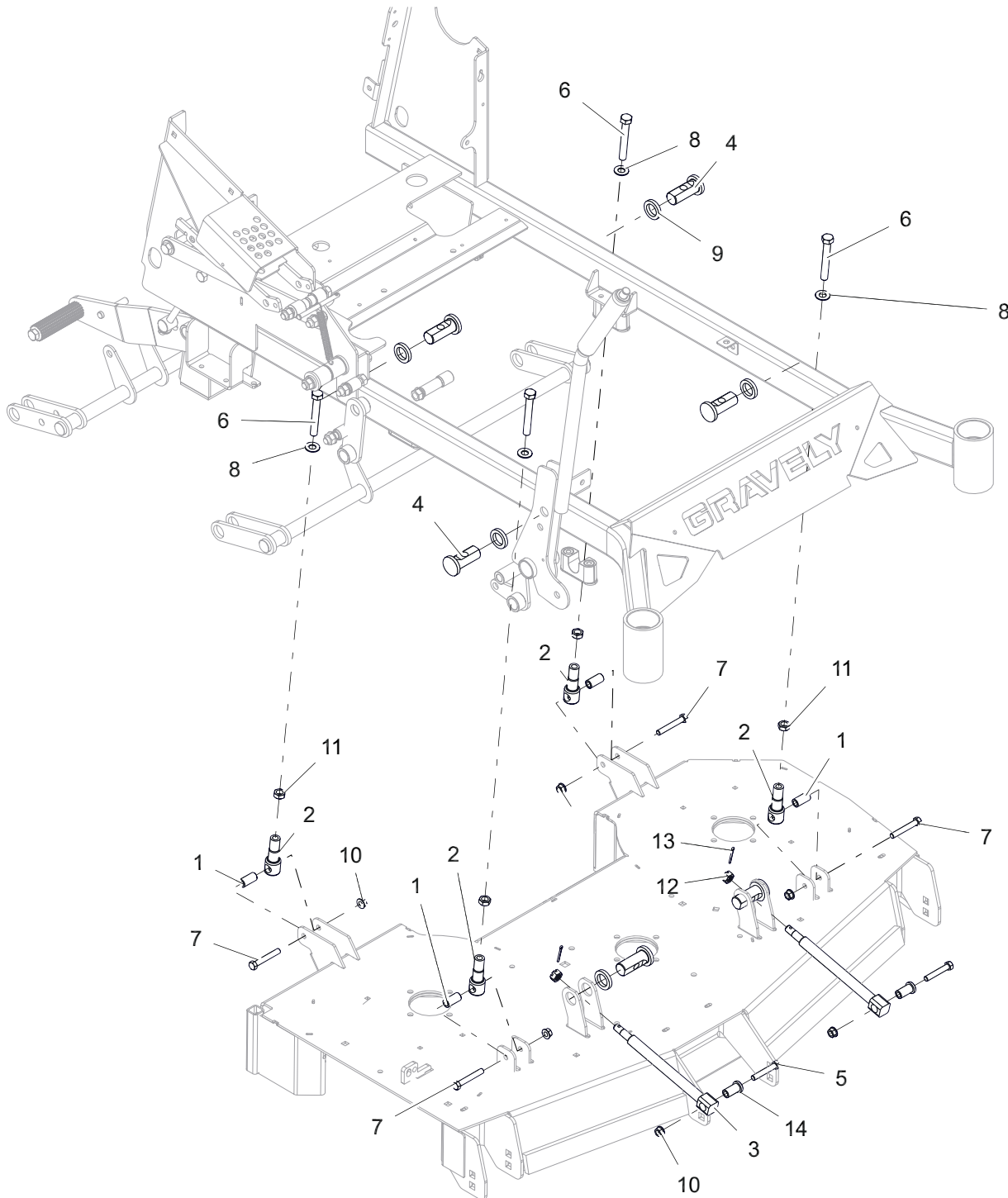
Models All



BOM ID	Number	Qty	Description
1	07500414	4	ASM, BSHG
2	06200311	8	BTL,RHSSN .313-18 X 2.25 G5 ZCC
3	06500840	8	NUT, FLG-CTR LK .312-18 GR5 ZCC
4	04766551	4	PLATE, BEARING SUPPORT

DECK LIFT LINKAGE

Models All

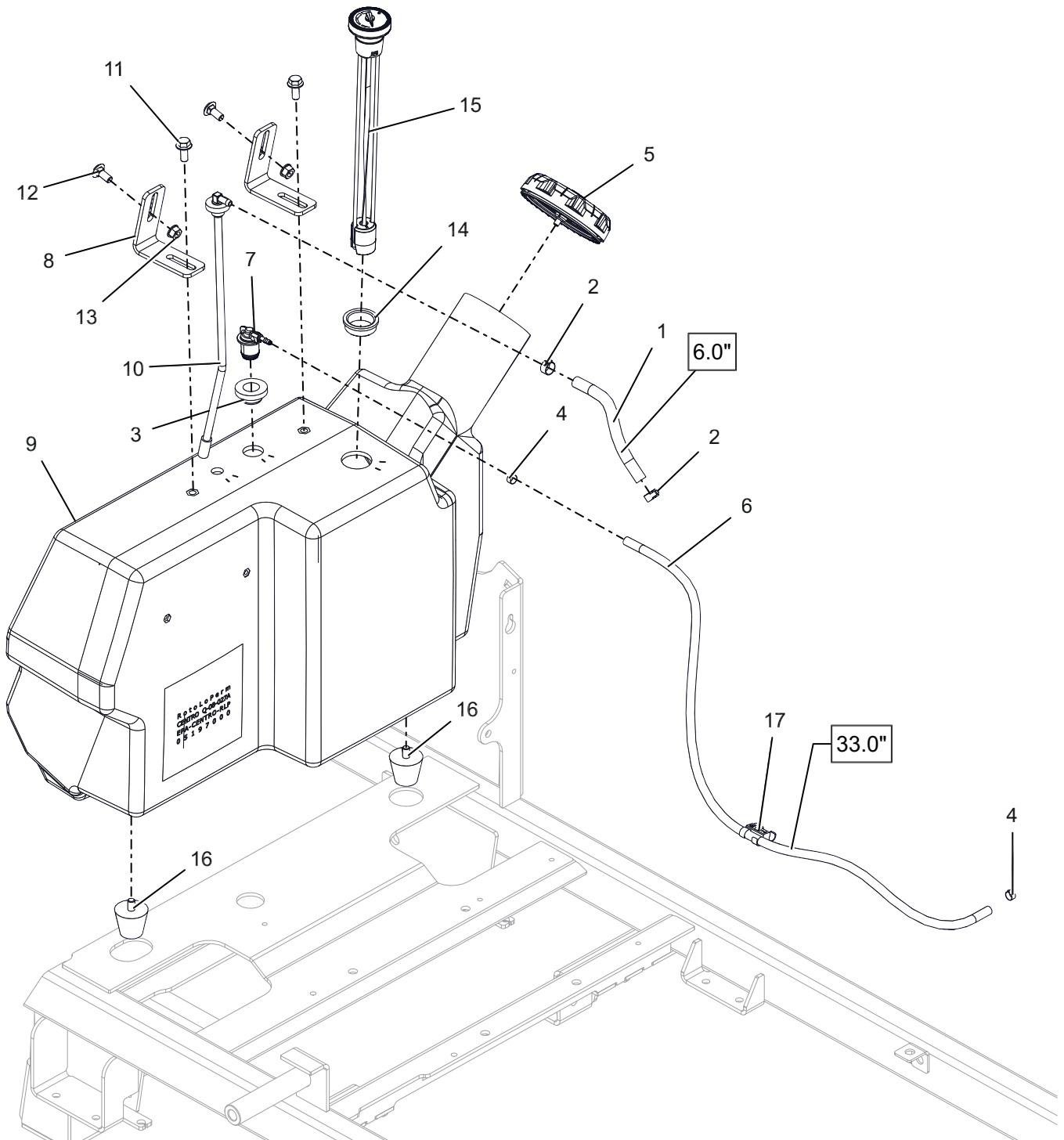


BOM ID	Number	Qty	Description
1	04895200	4	SPCR, DECK LEVELING
2	05081400	4	LINK, DECK LIFT, FORMED
3	05126700	2	DRAG, LINK
4	05264200	6	PIN, DECK LIFT
5	05901640	2	BLT, HEX 0.375-16X2.25 GR5 ZC120
6	05901735	4	BLT, HEX 0.5-13X3.5F GR5 ZCC
7	05901811	4	BLT, HEX 0.375-16X2.5 GR8 ZCC
8	06401116	4	WSHR-FL-STL 0.526X1.055X0.074 HRD

BOM ID	Number	Qty	Description
9	06425600	6	WSHR-FL-STL 1.0X1.50X.25
10	06500901	6	NUT, FLG-CTR LK .375-16 GR5 ZC120
11	06500911	4	NUT, JAM .50-13 GR5 ZC120
12	06505000	2	NUT, -SL .50-13
13	06700212	2	PIN, CTR .12X1.25 EXTPRSQCT ZC120
14	09158400	2	SPCR, DRAG LINK

FUEL SYSTEM

Models All

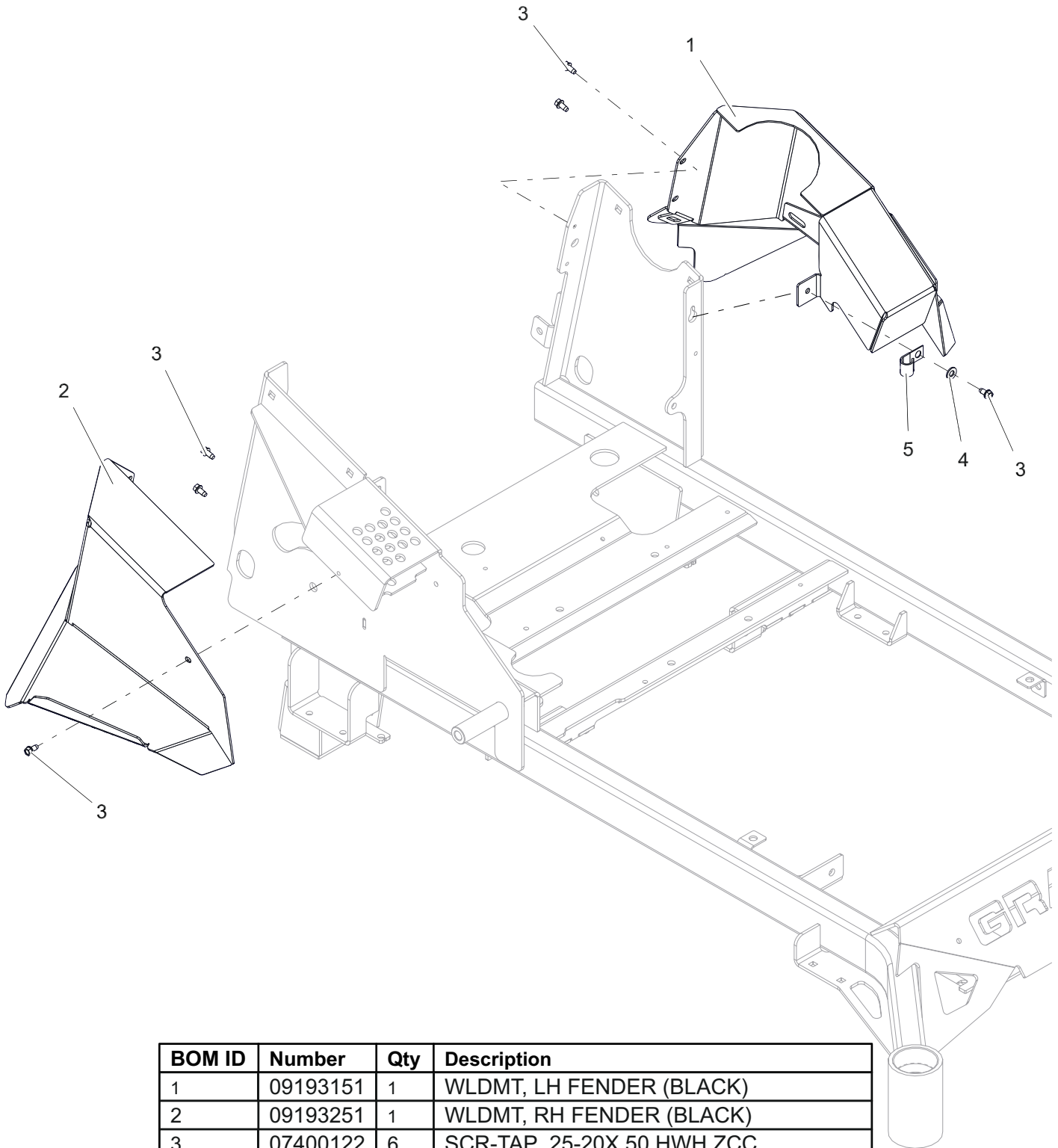


BOM ID	Number	Qty	Description
1	03278100	1	HOSE, .25 LOW PERM FUEL
2	03278800	2	CLAMP, FUEL LINE
3	04082700	1	GROMMET, REMOTE VENT NITRILE
4	04097700	2	CLAMP - HOSE, SPRING .188
5	04558000	1	CAP, FUEL VENT-IN AUTOLOCK
6	04745900	1	HOSE, .188 30R7 BULK
7	05185600	1	VALVE, REMOTE 3/16" BARB
8	05192553	2	BRKT, TANK HOLDDOWN (RED)
9	05197000	1	TANK, PROSTANCE FUEL

BOM ID	Number	Qty	Description
10	05248300	1	ASM, PROSTANCE FUEL LINE PICK-UP
11	07001820	2	BLT, SERHFWH 0.312-18X0.75 GR5 ZCC
12	06200232	2	BTL,RHSN .313-18 X 0.75 G5 ZCC
13	06500840	2	NUT, FLG-CTR LK .312-18 GR5 ZCC
14	07500221	1	GROMMET, FUEL GAUGE
15	07500310	1	GAUGE, REMOTE FUEL SEALED 12"
16	07500428	2	BUMPER, STUD MOUNTED CONE SHAPED
17	07001712	1	CLIP, T, .38-.50

FENDERS

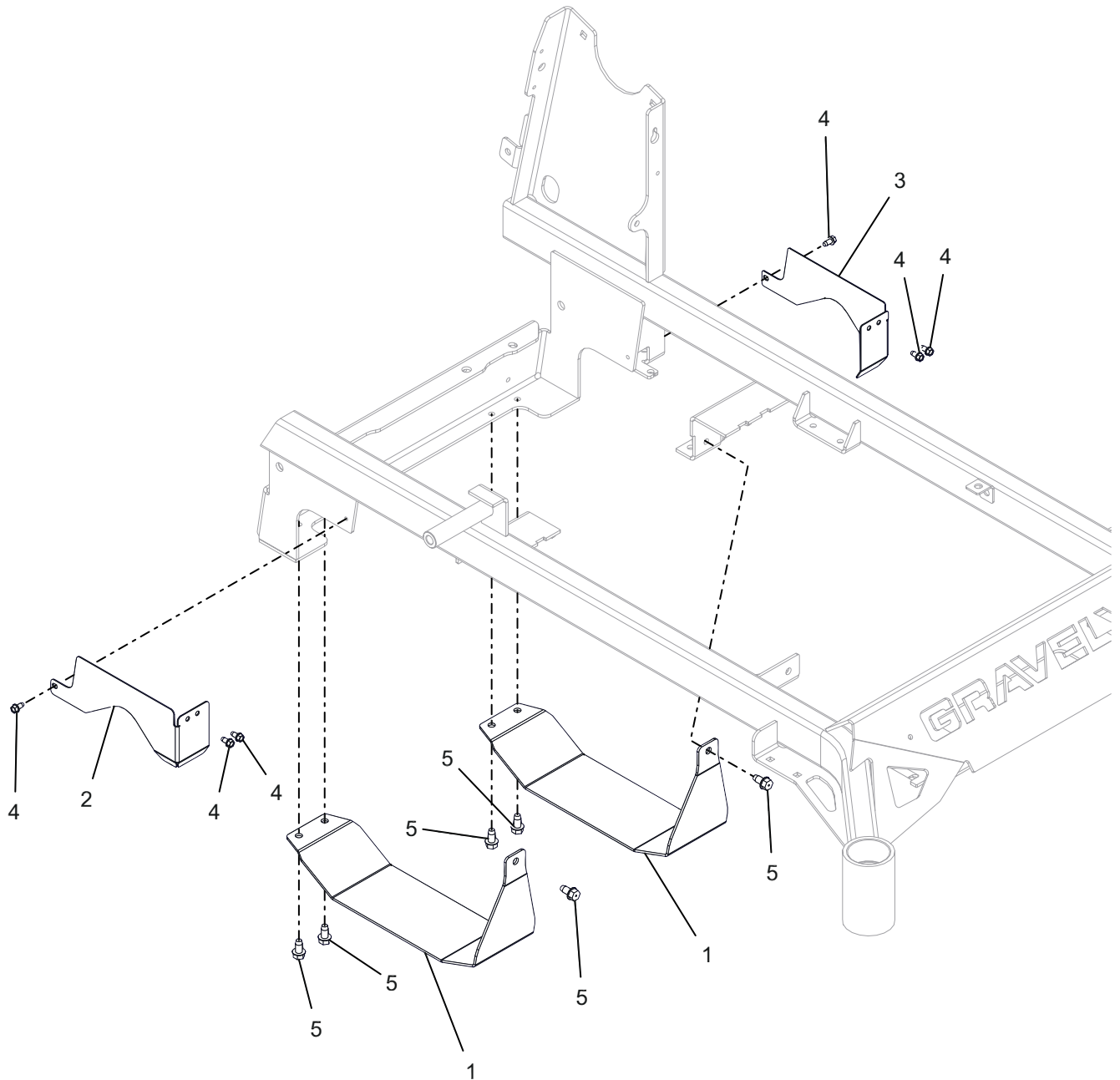
Models All



BOM ID	Number	Qty	Description
1	09193151	1	WLDMT, LH FENDER (BLACK)
2	09193251	1	WLDMT, RH FENDER (BLACK)
3	07400122	6	SCR-TAP .25-20X.50 HWH ZCC
4	06401017	1	WSHR-FL-STL 0.344X0.688X0.065 ZC120
5	06916000	1	J-CLAMP

TRANSAXLE GUARDS

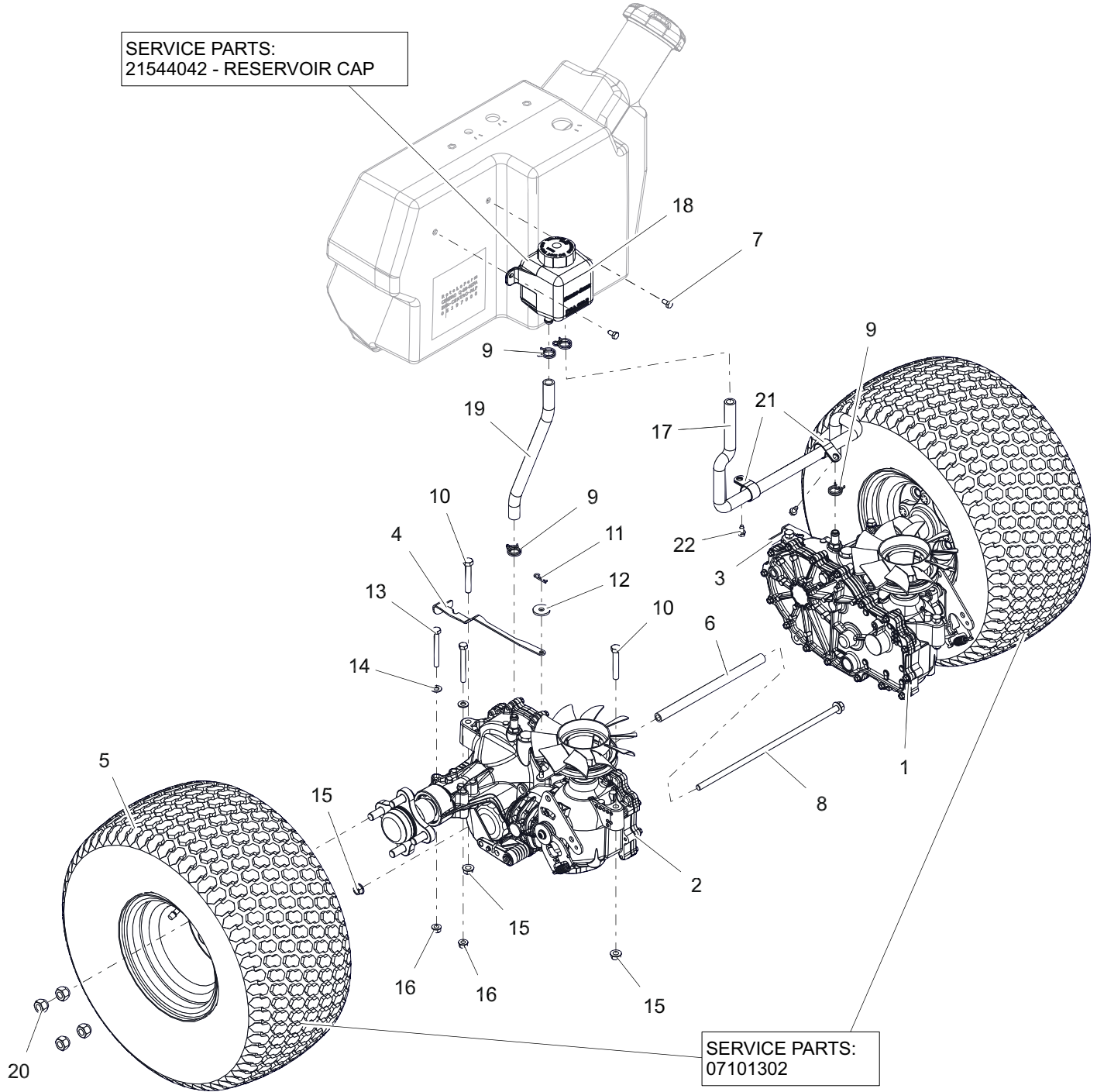
Models All



BOM ID	Number	Qty	Description
1	05198751	2	BRKT, SKID PLATE (BLACK)
2	05276351	1	BRKT, RH TRANSAXLE GUARD (BLACK)
3	05276451	1	BRKT, LH TRANSAXLE GUARD (BLACK)
4	07400122	6	SCR-TAP .25-20X.50 HWH ZCC
5	07400129	6	SCR-TAP .38-16X.75 HWH ZCC

REAR TIRES AND TRANSAXLES

Models All



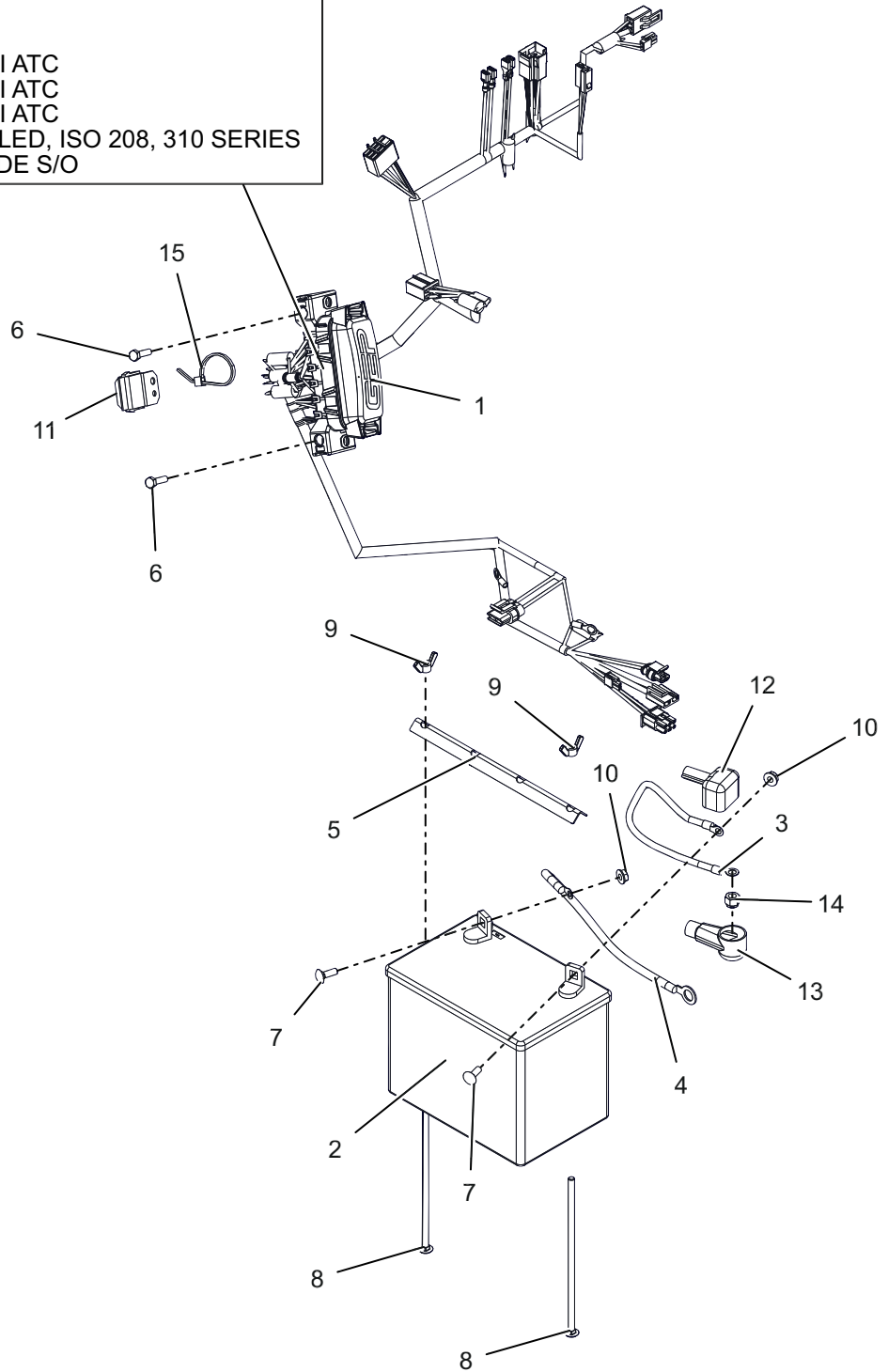
BOM ID	Number	Qty	Description
1	09159500	1	TRANSAXLE, LH ZT-3400
2	09159600	1	TRANSAXLE, RH ZT-3400
3	05192951	1	LEVER, LH TRANSAXLE DUMP VALVE (BLACK)
4	05193051	1	LEVER, RH TRANSAXLE DUMP VALVE (BLACK)
5	07101321	2	ASSM TIREWHEEL, 20 X 10.50 - 8
6	05198600	1	SPCR, TRANSAXLE .406 ID X .630 OD X 10.464
7	05901705	2	BLT, HEX 0.25-20X0.5 GR5 ZC120
8	05901903	1	BLT, HEX-FLG 0.375-16X13 GR5 ZC120
9	06900634	4	HOSE, CLAMP DBW 12MM
10	05901640	4	BLT, HEX 0.375-16X2.25 GR5 ZC120
11	06700222	2	PIN, HAIR #213 .08X1.19 ZCC
12	06401104	2	WSHR-FL-STL 0.34X1.125X0.135 ZCC

BOM ID	Number	Qty	Description
13	05901807	4	BLT, HEX 0.3125-18X2.75 GR5 ZCC
14	06401017	4	WSHR-FL-STL 0.344X0.688X0.065 ZC120
15	06500901	5	NUT, FLG-CTR LK .375-16 GR5 ZC120
16	06500840	4	NUT, FLG-CTR LK .312-18 GR5 ZCC
17	05193700	1	HOSE, PRO STANCE - OVERFLOW LEFT
18	04894600	1	TANK, HYDRO OVERFLOW 700ML
19	05193800	1	HOSE, PRO STANCE - OVERFLOW RIGHT
20	06500926	8	NUT, WHEEL .500-20 ZCC
21	06917900	2	CLAMP, CUSHIONED STEEL REV
22	07400122	2	SCR-TAP .25-20X.50 HWH ZCC

ELECTRICAL

Models All

SERVICE PARTS
 09293500 - DIODE
 04438100 - FUSE, 10 AMP MINI ATC
 04438300 - FUSE, 20 AMP MINI ATC
 05076400 - FUSE, 5 AMP MINI ATC
 04438400 - RELAY, SPDT, SEALED, ISO 208, 310 SERIES
 00191262 - FUSE, 20AMP BLADE S/O



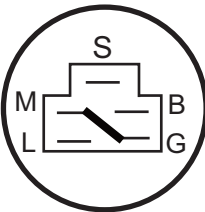
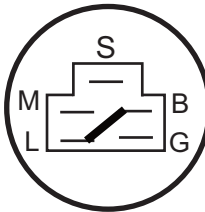
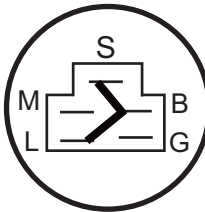
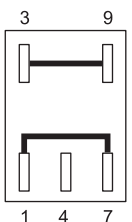
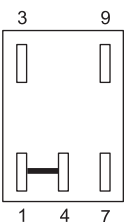
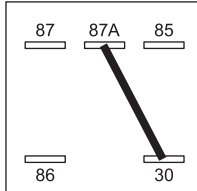
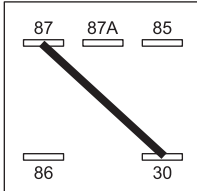
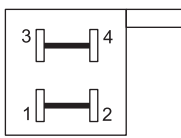
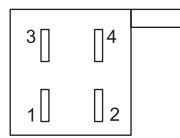
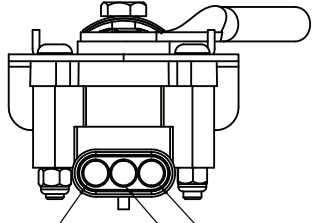
BOM ID	Number	Qty	Description
1	05189700	1	HARNESS, WIRE PROSTANCE 2019
2	01554800	1	BATTERY, 300 CCA 10U1L
3	02727201	1	CABLE, STARTER 13.00"
4	03287100	1	CABLE, GROUND .25 X 13.00 X .31 REV A2
5	03494051	1	HOLD DOWN - BLK
6	05901609	2	BLT,HEX M6-1X25 G8.8 ZC120
7	06200307	2	BTL,RHSN .250-20 X 0.75 G5 ZCC
8	06200424	2	BTL,RHSN .250-20 X 7.5 G5 ZCC

BOM ID	Number	Qty	Description
9	06500805	2	NUT, WING .250-20 LOCKING
10	06500824	2	NUT, FLG-SPNLK .250-20 GR5 ZC120
11	09044200	1	MODULE, INTERLOCK
12	07505700	1	INSULATOR
13	00525800	1	BOOT, BATTERY TERMINAL-RED
14	06500817	1	NUT, LK-NYL M8-1.25 GR8.8 ZCC
15	00111910	1	CABLE TIE, .15 X 8.50

CONTINUITY DIAGRAM

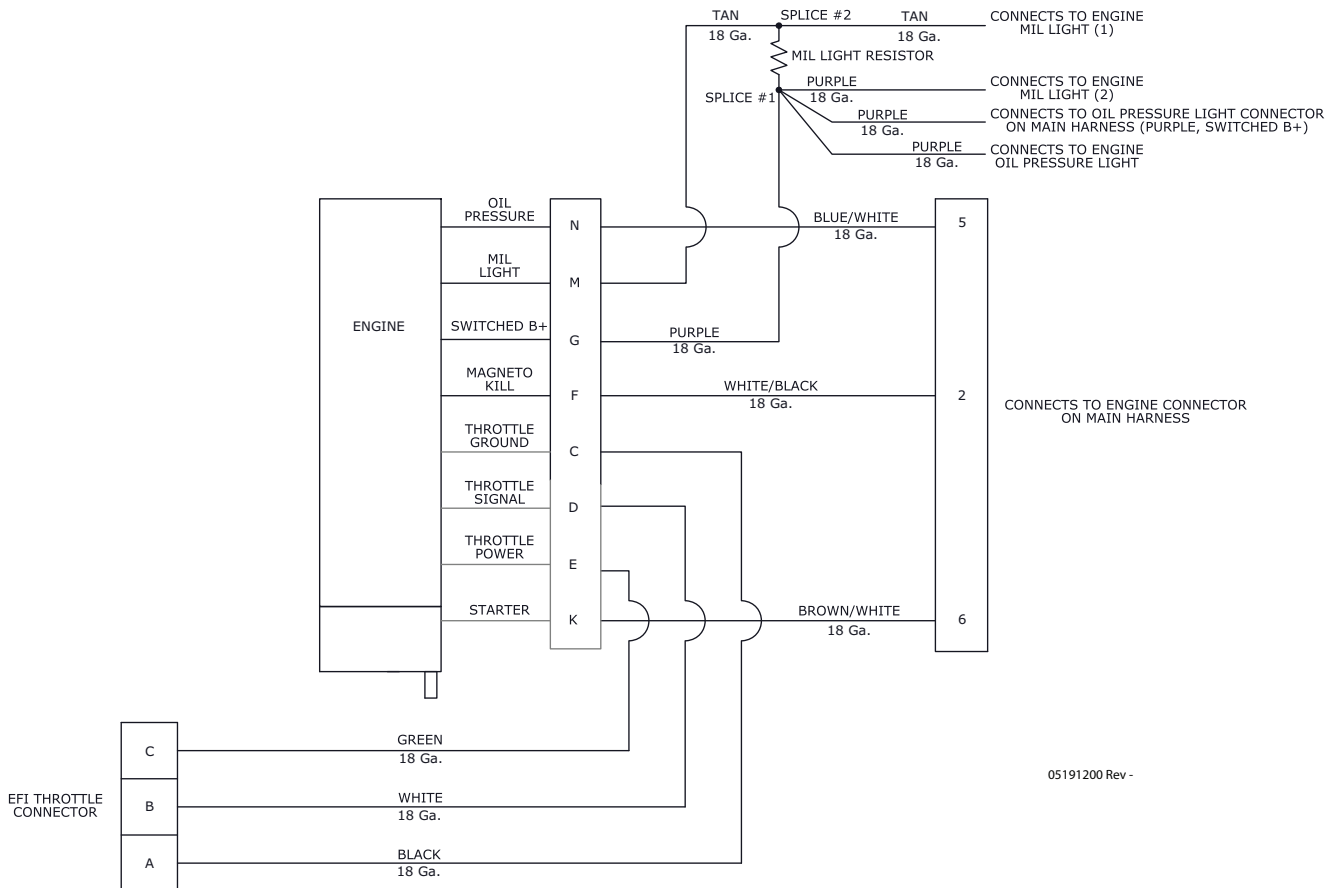
The diagrams below show the various states of connection for electrical components.
The solid lines on switches show continuity.

NOTE: All switches are viewed from the rear.

<p>Key Switch (04331600)</p> <table border="1" style="width: 100%; border-collapse: collapse; margin-top: 20px;"> <thead> <tr> <th style="text-align: left;">POSITION</th> <th style="text-align: left;">CIRCUIT</th> </tr> </thead> <tbody> <tr> <td>1. OFF</td> <td>G + M</td> </tr> <tr> <td>2. RUN</td> <td>B + L</td> </tr> <tr> <td>3. START</td> <td>B + L + S</td> </tr> </tbody> </table>	POSITION	CIRCUIT	1. OFF	G + M	2. RUN	B + L	3. START	B + L + S	<div style="display: flex; justify-content: space-around; text-align: center;"> <div> <p>OFF</p>  </div> <div> <p>RUN</p>  </div> <div> <p>START</p>  </div> </div>
POSITION	CIRCUIT								
1. OFF	G + M								
2. RUN	B + L								
3. START	B + L + S								
<p>PTO Switch (01545600)</p> <div style="display: flex; justify-content: space-around; margin-top: 20px;"> <div style="text-align: center;">  <p>DISENGAGED (down position)</p> </div> <div style="text-align: center;">  <p>ENGAGED (up position)</p> </div> </div>	<p>Relay (04438400)</p> <div style="display: flex; justify-content: space-around; margin-top: 20px;"> <div style="text-align: center;">  <p>NOT ENERGIZED</p> </div> <div style="text-align: center;">  <p>ENERGIZED</p> </div> </div>								
<p>Brake Switch (03834300)</p> <div style="display: flex; justify-content: space-around; margin-top: 20px;"> <div style="text-align: center;">  <p>BUTTON IN</p> </div> <div style="text-align: center;">  <p>BUTTON OUT</p> </div> </div>	<p>Throttle Control EFI (06900711)</p> <div style="text-align: center; margin-top: 20px;">  <p style="margin-top: 10px;">-0-5Vdc SINGLE ANALOG VARIABLE OUTPUT</p> </div>								

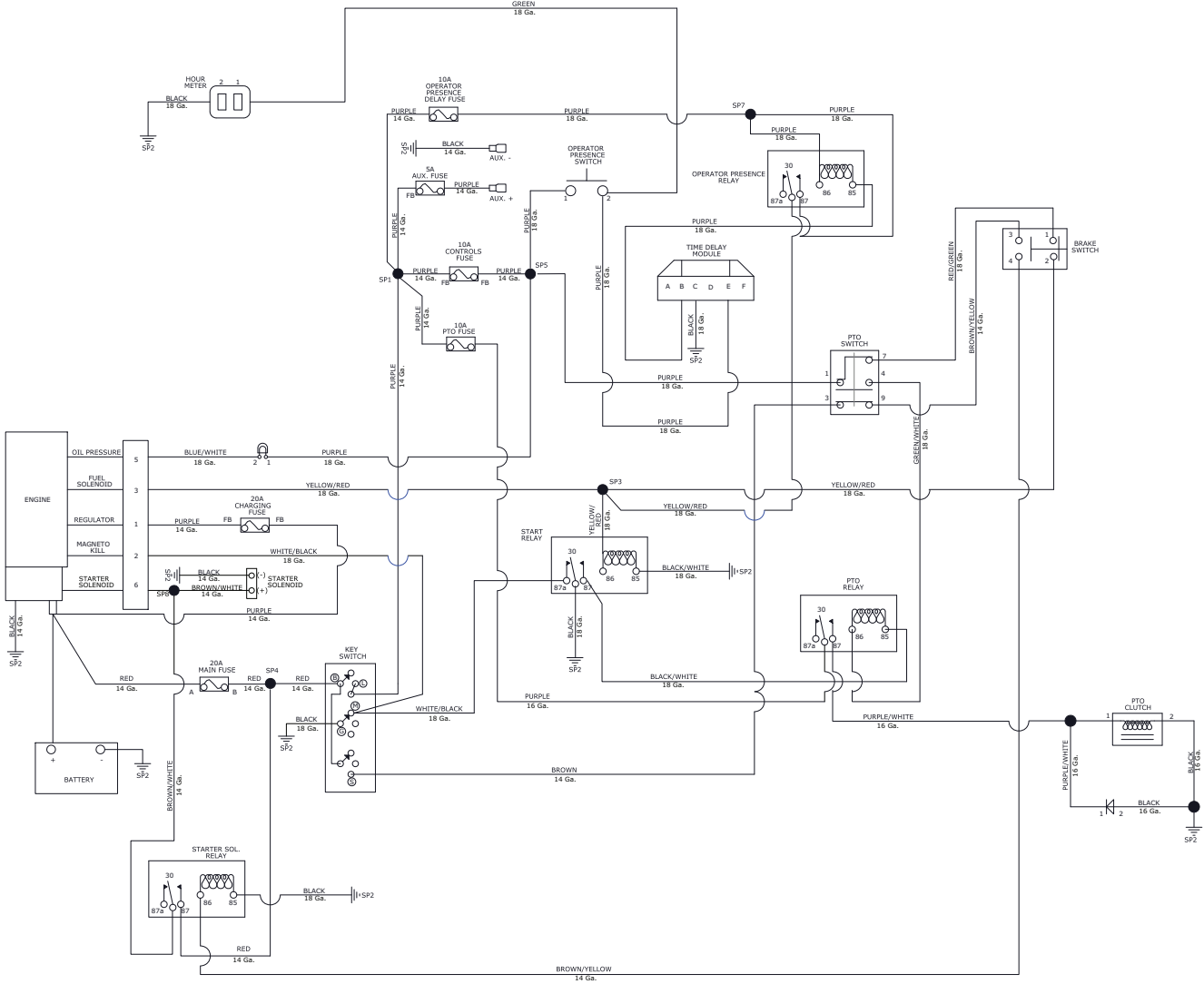
FT ENGINE ADAPTER HARNESS

Models 994163, 165



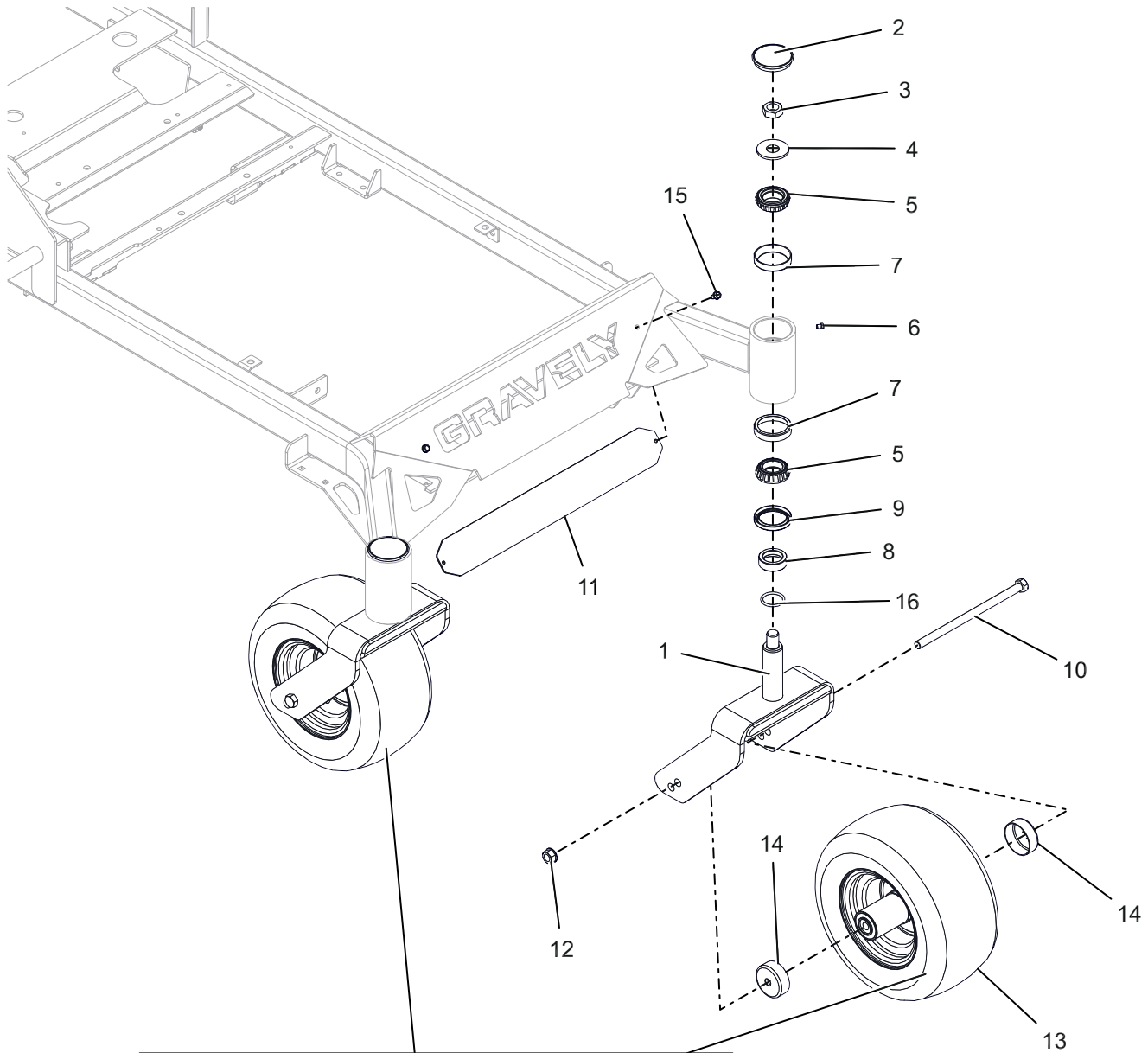
ELECTRICAL DIAGRAM

Models All



FRONT CASTERS

Models All



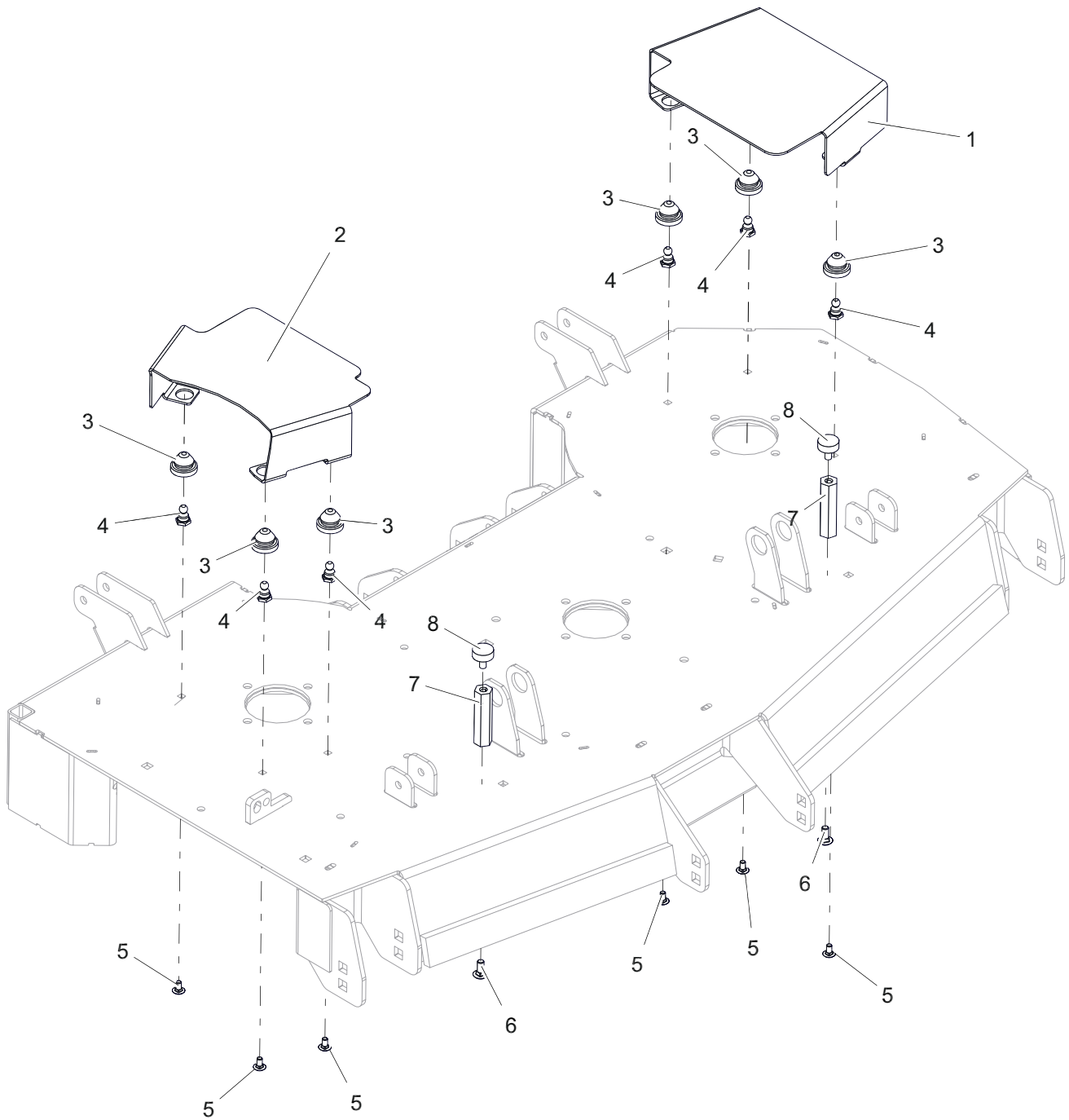
SERVICE PARTS:
 05404400 - 1.780 X .475 BEARING CUP
 05404500 - 750 X .610 BEARING CONE
 05600517 - 1.125 X 1.781 X .469 SEAL
 05501238 - .505 ID X .750 OD X 7.38 LG SPANNER
 05501239 - 1.125 ID X .750 LG SPACER
 07001008 - 1/4-28 EXTENDED GREASE FITTING

BOM ID	Number	Qty	Description
1	03924453	2	WMT, CASTER FORK - RED
2	03925900	2	CAP, DUST
3	06500933	2	NUT, JAM-TOPLOCK .750-16 ZCC
4	06401201	2	WSHR-FL-STL 0.812X2X0.148 ZCC
5	05404700	4	BRG, CONE 1.250 X .660
6	07001727	2	FITTING, .250-28 FLUSH MOUNT GREASE
7	05404600	4	BRG, CUP 2.328 X .465
8	04861500	2	SPCR, FRONT CASTER FORK
9	05600432	2	SEAL, OIL 1.75 X 2.332 X .312

BOM ID	Number	Qty	Description
10	05901930	2	BLT, HEX 0.5-13X9 GR5 ZCC
11	04386551	1	PLATE, BUMPER LOGO BACKING-BLACK
12	06500907	2	NUT, FLG-TOP LK .500-13 GF ZCC
13	07101308	2	ASM, TIRE/WHEEL 13 X 6.50-6 SEMI
14	09357800	4	SHIELD, WHEEL BEARING
15	07400122	2	SCR-TAP .25-20X.50 HWH ZCC
16	05600515	2	O-RING, .139 W X 1.234 ID

BELT COVERS

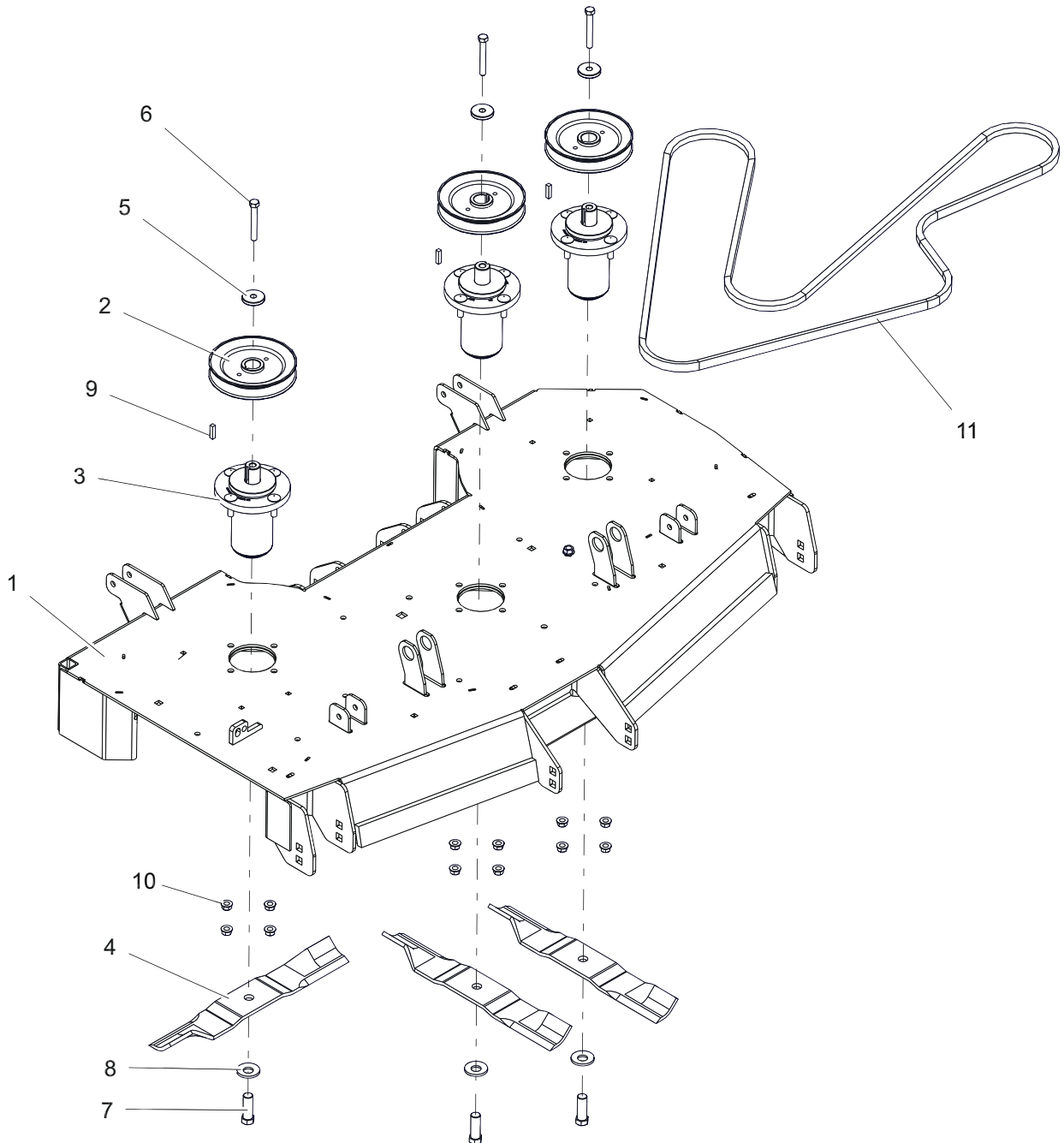
Models All



BOM ID	Number	Qty	Description
1	05276053	1	GUARD, LH DECK BELT (RED)
2	05276153	1	GUARD, RH DECK BELT (RED)
3	07500429	6	COUPLING, RUBBER PUSH-IN
4	05275900	6	STUD, BALL FEMALE .250-20 THREAD
5	06200305	6	BTL,RHSSN .250-20 X 0.5 G5 ZCC
6	06200425	2	BTL,RHSN .313-18 X 0.75 G5 ZCC LT
7	07000027	2	NUT, COUPLING .31-18 X 3.00
8	07533600	2	BUMPER, RUBBER

DECK, BELT, BLADES AND SPINDLES – 48"

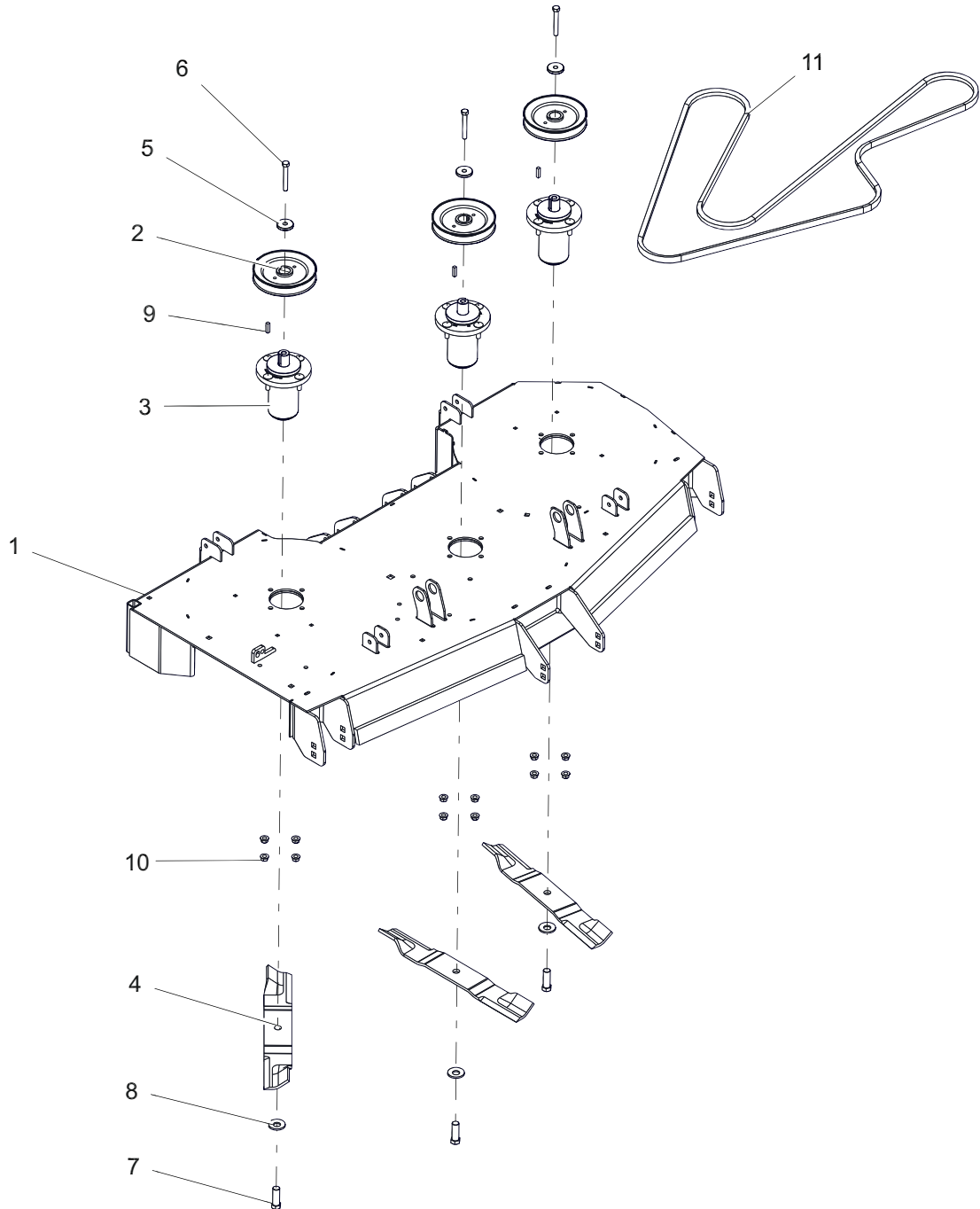
Model 994161



BOM ID	Number	Qty	Description
1	59406300	1	KIT, SERVICE 48" DECK WITH DECALS
2	07349651	3	PULLEY, V-1.00 ID X 5.75 OD (BLACK)
3	58810800	3	ASM, ALUM SPINDLE
4	05261100	3	BLADE, MOWER - 16.19"
5	04530500	3	RETAINER, SHEAVE SPINDLE
6	05901813	3	BLT, HEX 0.375-16X2.75 GR8 ZCC
7	05901822	3	BLT, HEX 0.625-18X1.75 GR8 ZCC
8	06445700	3	WSHR, BLVL-.63X1.625X.14
9	06611200	3	KEY-SQ .250X.250X1.00 RC 40-50
10	06500901	12	NUT, FLG-CTR LK .375-16 GR5 ZC120
11	07200706	1	V-BELT, B SECTION RAW EDGE

DECK, BELT, BLADES AND SPINDLES – 52"

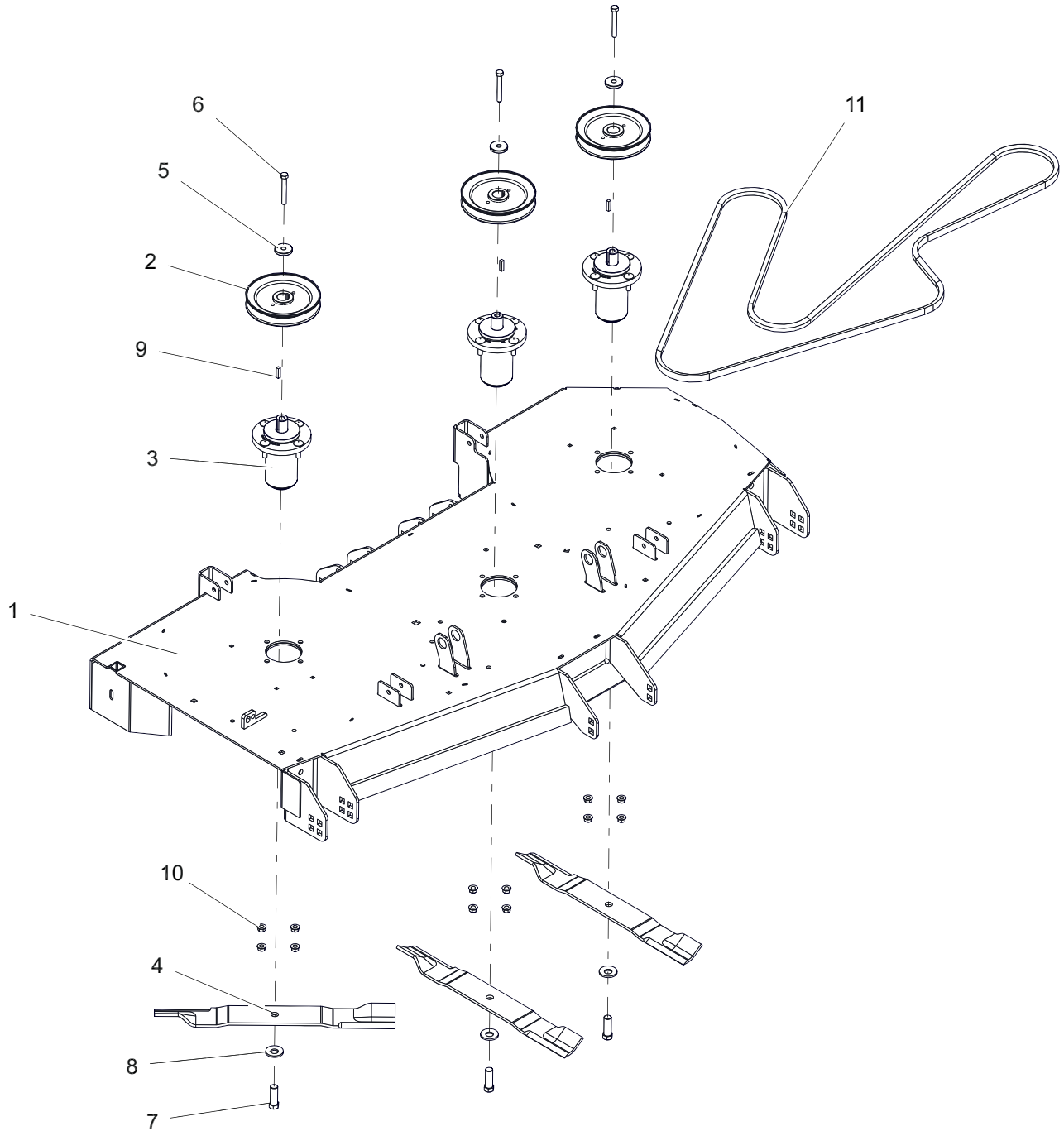
Models 994162, 163



BOM ID	Number	Qty	Description
1	59406400	1	KIT, SERVICE 52" DECK WITH DECALS
2	07349651	3	PULLEY, V-1.00 ID X 5.75 OD (BLACK)
3	05129800	3	SPINDLE, HOUSING W/STUDS ALUM
4	00450300	3	BLADE, MOWER - 18.00" (HI-LIFT)
5	04530500	3	RETAINER, SHEAVE SPINDLE
6	05901813	3	BLT, HEX 0.375-16X2.75 GR8 ZCC
7	05901822	3	BLT, HEX 0.625-18X1.75 GR8 ZCC
8	06445700	3	WSHR, BLVL-.63X1.625X.14
9	06611200	3	KEY-SQ .250X.250X1.00 RC 40-50
10	06500901	12	NUT, FLG-CTR LK .375-16 GR5 ZC120
11	07200819	1	V-BELT, B SECTION RAW EDGE

DECK, BELT, BLADES AND SPINDLES – 60"

Models 994164, 165

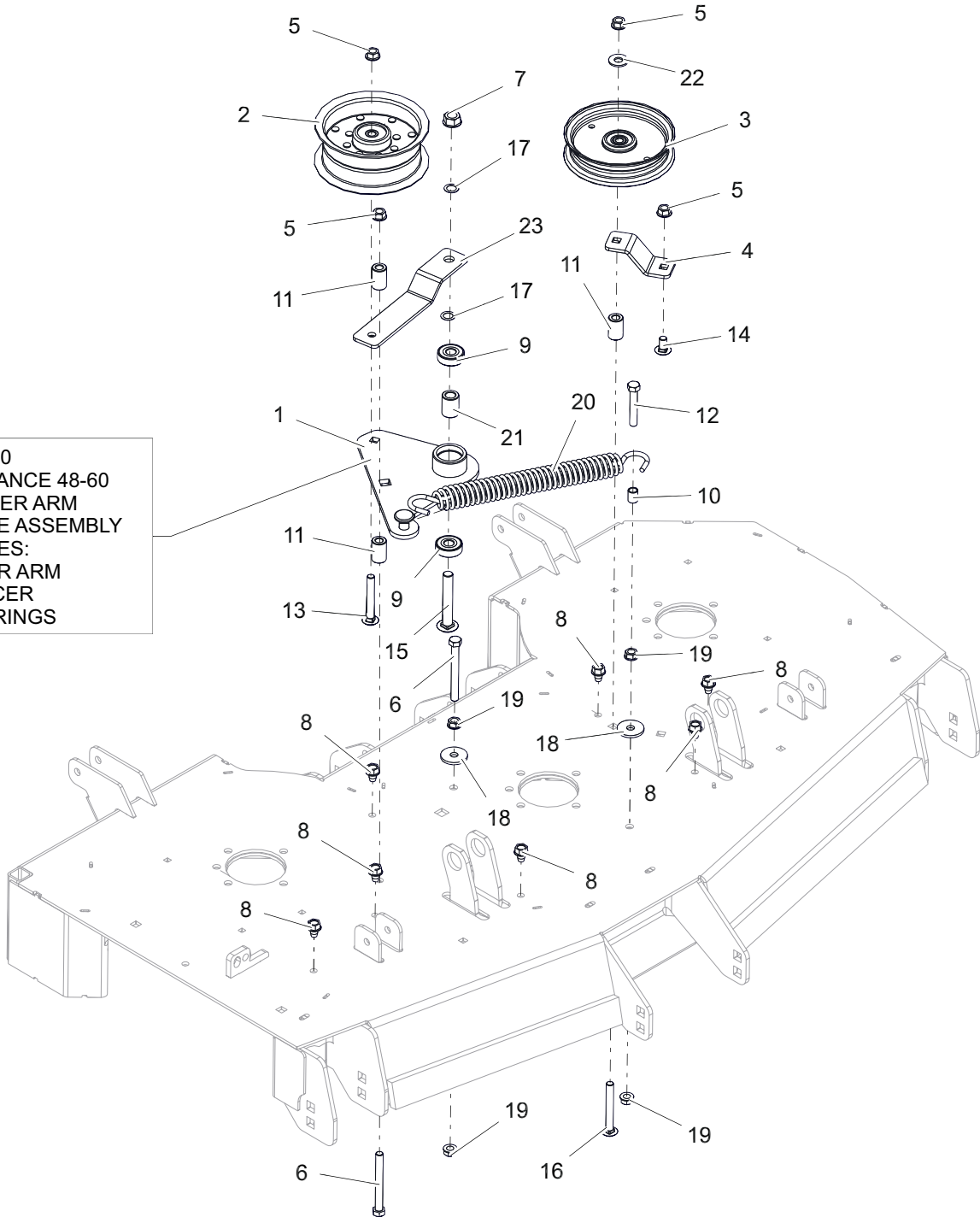


BOM ID	Number	Qty	Description
1	59406500	1	KIT, SERVICE 60" DECK WITH DECALS
2	07349051	3	PULLEY, V-1.000 ID X 6.340 OD (BLACK)
3	05129800	3	SPINDLE, HOUSING W/STUDS ALUM
4	09081200	3	BLADE, MOWER (20.50")
5	04530500	3	RETAINER, SHEAVE SPINDLE
6	05901813	3	BLT, HEX 0.375-16X2.75 GR8 ZCC
7	05901822	3	BLT, HEX 0.625-18X1.75 GR8 ZCC
8	06445700	3	WSHR, BLVL-.63X1.625X.14
9	06611200	3	KEY-SQ .250X.250X1.00 RC 40-50
10	06500901	12	NUT, FLG-CTR LK .375-16 GR5 ZC120
11	07200808	1	V-BELT, B SECTION RAW EDGE

IDLERS AND SHEAVES - 48"

Model 994161

59405600
 PRO STANCE 48-60
 PTO IDLER ARM
 SERVICE ASSEMBLY
 INCLUDES:
 (1) IDLER ARM
 (1) SPACER
 (1) BEARINGS



BOM ID	Number	Qty	Description
1	05189400	1	WLDMT, PTO IDLER ARM
2	07300532	1	PULLEY, FLAT 5.00X2.36X.375
3	07351200	1	IDLER, FLAT - .500 X .75
4	04981853	1	BRKT, PTO FIXED IDLER MTG
5	06500901	4	NUT, FLG-CTR LK .375-16 GR5 ZC120
6	05901818	2	BLT, HEX 0.375-16X3.5 GR5 ZCC
7	06500902	1	NUT, FLG-CTR LK .500-13 GF ZCC
8	07400126	7	SCR-TAP .38-16X.500 HWH ZCC
9	05408000	2	BRG-BALL .500X1.375X.44
10	05501226	1	SPACER SLEEVED .385X.500X.652
11	05501308	3	BUSHING SLEEVED .380 X .750 X 1.190
12	05901640	1	BLT, HEX 0.375-16X2.25 GR5 ZC120

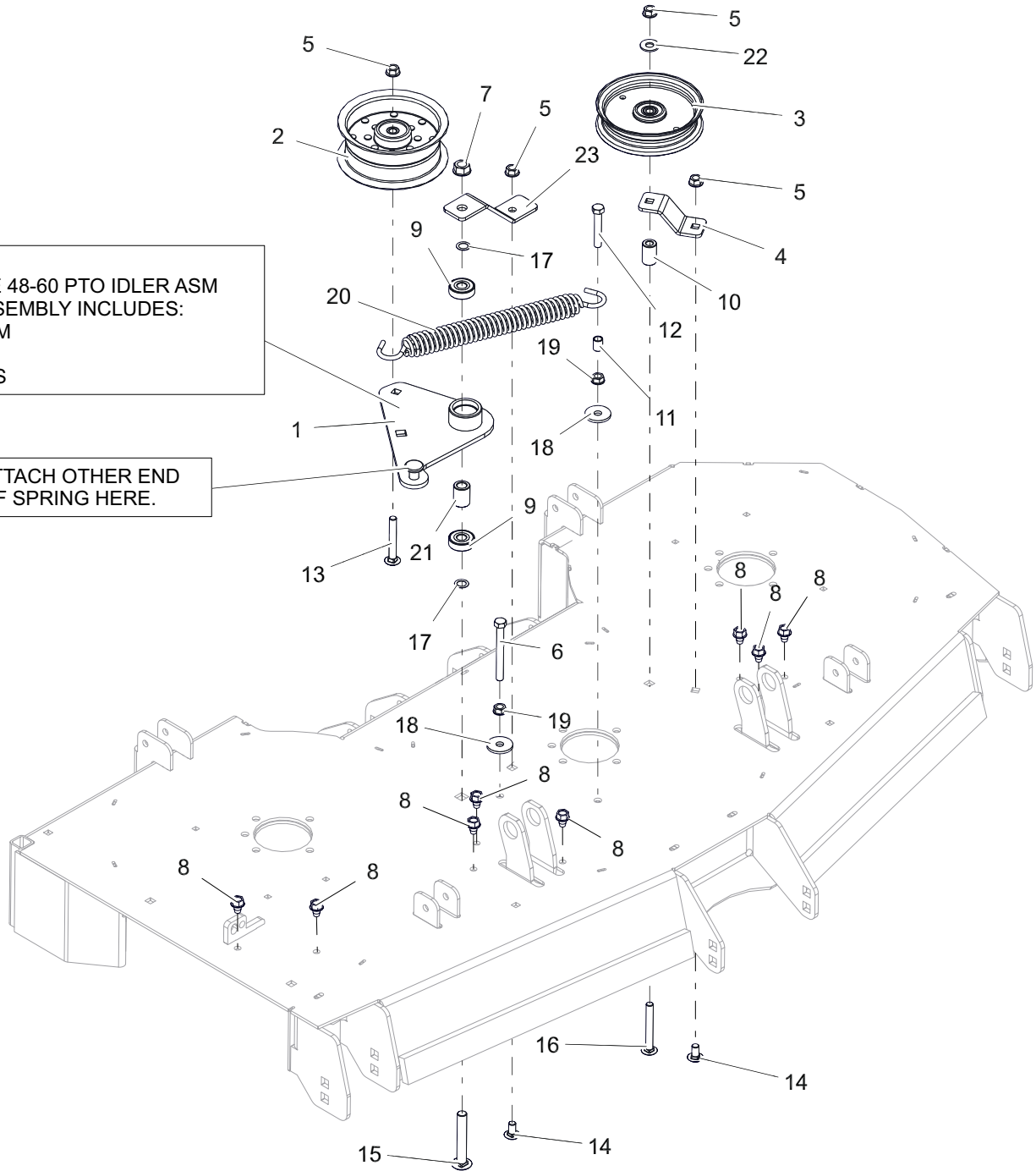
BOM ID	Number	Qty	Description
13	06200316	1	BTL,RHSSN .375-16 X 2.75 G5 ZCC
14	06200432	1	BTL,RHSSN .375-16 X 0.75 G5 FPB
15	06200339	1	BTL,RHSSN .500-13 X 3.25 G5 ZCC
16	06200434	1	BTL,RHSSN .375-16 X 3 G5 ZCC
17	06400015	2	WASHER-FLAT-STL, .500 X .750 X .020
18	06401121	2	WSHR-FL-STL 0.406X1.375X0.135 ZCC
19	06500735	4	NUT, FLG-SPNLK .375-16 GR5 ZC120
20	08300708	1	SPRG, EXTENSION
21	09357700	1	SPACER SLEEVED SPACER, .510 X .867 X 1.148
22	06401008	1	WSHR-FL-STL 0.438X1X0.083 ZC120
23	30141853	1	BRKT, PROSTANCE PTO IDLER (RED)

IDLERS AND SHEAVES – 52"

Model 994162, 163

59405600
 PRO STANCE 48-60 PTO IDLER ASM
 SERVICE ASSEMBLY INCLUDES:
 (1) IDLER ARM
 (1) SPACER
 (2) BEARINGS

ATTACH OTHER END
 OF SPRING HERE.



BOM ID	Number	Qty	Description
1	05189400	1	WLDMT, PTO IDLER ARM
2	07300532	1	PULLEY, FLAT 5.00X2.36X.375
3	07351200	1	IDLER, FLAT - .500 X .75
4	04981853	1	BRKT, PTO FIXED IDLER MTG
5	06500901	4	NUT, FLG-CTR LK .375-16 GR5 ZC120
6	05901818	1	BLT, HEX 0.375-16X3.5 GR5 ZCC
7	06500902	1	NUT, FLG-CTR LK .500-13 GF ZCC
8	07400126	8	SCR-TAP .38-16X.500 HWH ZCC
9	05408000	2	BRG-BALL .500X1.375X.44
10	05501308	1	BUSHING SLEEVED .380 X .750 X 1.190
11	05501226	1	SPACER SLEEVED .385X.500X.652
12	05901640	1	BLT, HEX 0.375-16X2.25 GR5 ZC120

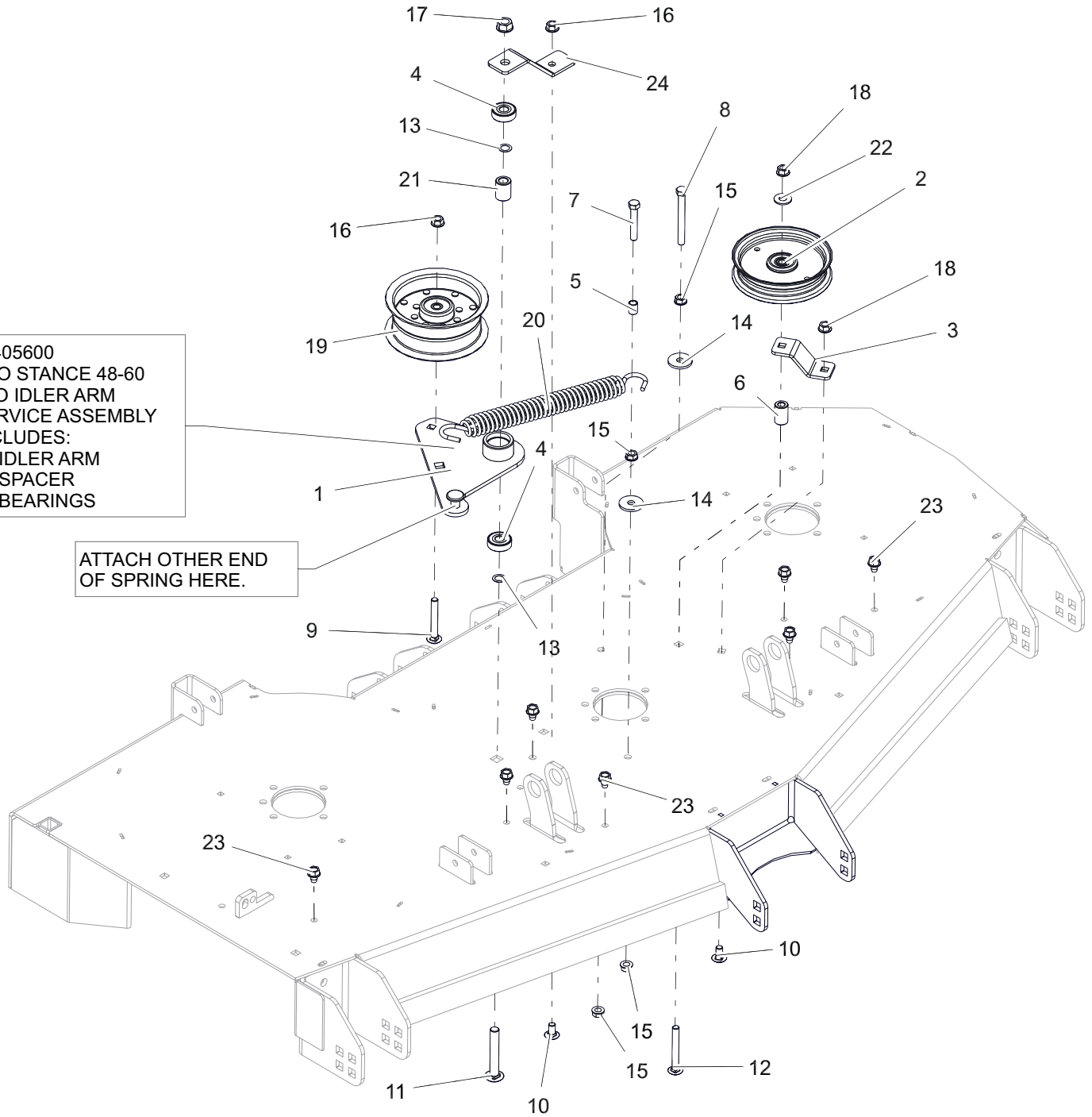
BOM ID	Number	Qty	Description
13	06200316	1	BTL,RHSN .375-16 X 2.75 G5 ZCC
14	06200432	2	BTL,RHSSN .375-16 X 0.75 G5 FPB
15	06200339	1	BTL,RHSSN .500-13 X 3.25 G5 ZCC
16	06200434	1	BTL,RHSSN .375-16 X 3 G5 ZCC
17	06400015	2	WASHER-FLAT-STL, .500 X .750 X .020
18	06401121	2	WSHR-FL-STL 0.406X1.375X0.135 ZCC
19	06500735	2	NUT, FLG-SPNLK .375-16 GR5 ZC120
20	08300708	1	SPRG, EXTENSION
21	09357700	1	SPACER SLEEVED SPACER, .510 X .867 X 1.148
22	06401008	1	WSHR-FL-STL 0.438X1X0.083 ZC120
23	30139053	1	BRKT, PROSTANCE PTO IDLER(RED)

IDLERS AND SHEAVES – 60"

Models 994164, 165

59405600
PRO STANCE 48-60
PTO IDLER ARM
SERVICE ASSEMBLY
INCLUDES:
(1) IDLER ARM
(1) SPACER
(2) BEARINGS

ATTACH OTHER END
OF SPRING HERE.

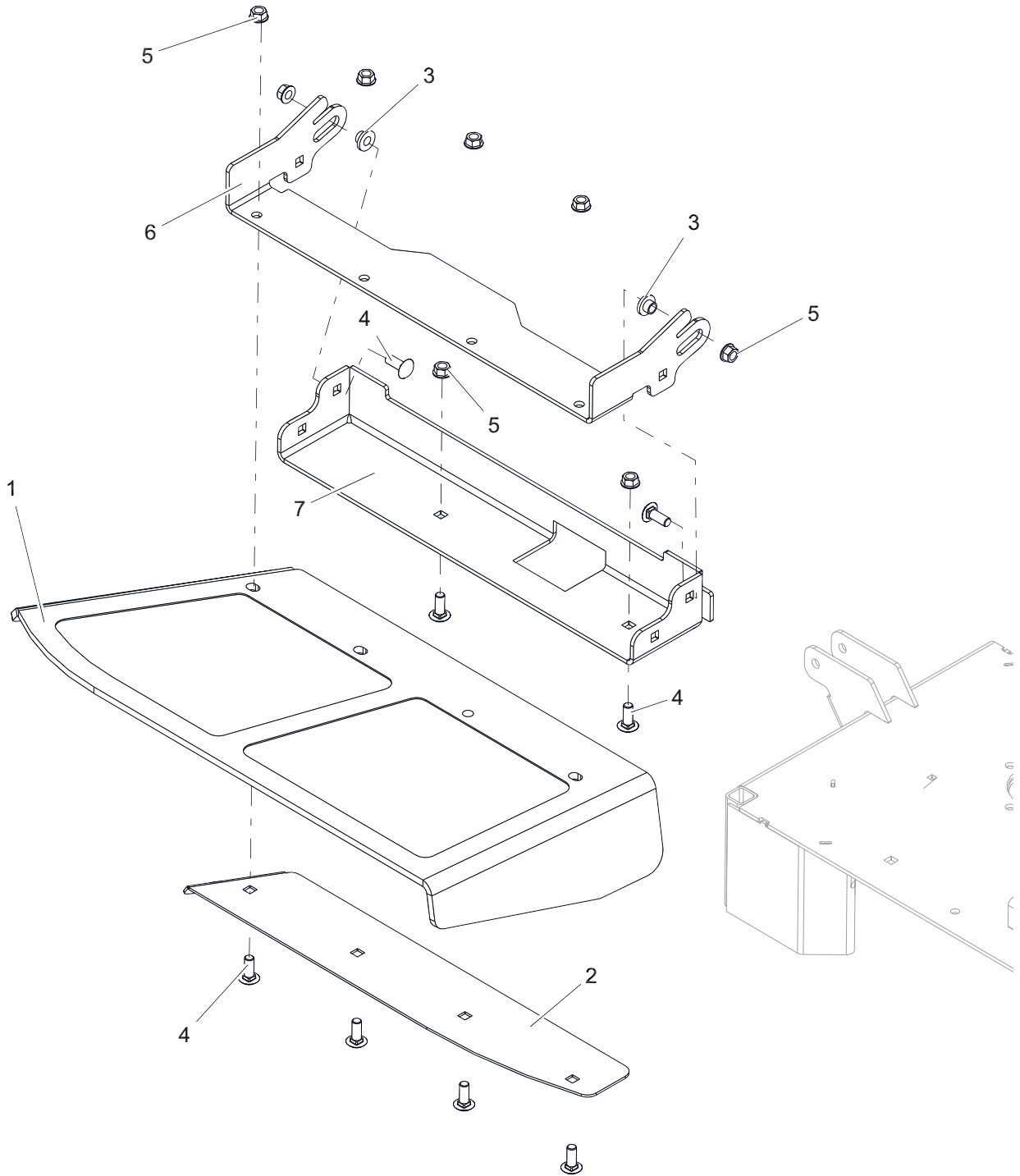


BOM ID	Number	Qty	Description
1	05189400	1	WLDMT, PTO IDLER ARM
2	07351200	1	IDLER, FLAT - .500 X .75
3	04981853	1	BRKT, PTO FIXED IDLER MTG
4	05408000	2	BRG-BALL .500X1.375X.44
5	05501226	1	SPACER SLEEVED .385X.500X.652
6	05501308	1	BUSHING SLEEVED .380 X .750 X 1.190
7	05901640	1	BLT, HEX 0.375-16X2.25 GR5 ZC120
8	05901818	1	BLT, HEX 0.375-16X3.5 GR5 ZCC
9	06200316	1	BTL,RHSSN .375-16 X 2.75 G5 ZCC
10	06200432	2	BTL,RHSSN .375-16 X 0.75 G5 FPB
11	06200339	1	BTL,RHSSN .500-13 X 3.25 G5 ZCC
12	06200434	1	BTL,RHSSN .375-16 X 3 G5 ZCC
13	06400015	2	WASHER-FLAT-STL, .500 X .750 X .020

BOM ID	Number	Qty	Description
14	06401121	2	WSHR-FL-STL 0.406X1.375X0.135 ZCC
15	06500735	4	NUT, FLG-SPNLK .375-16 GR5 ZC120
16	06500901	2	NUT, FLG-CTR LK .375-16 GR5 ZC120
17	06500902	1	NUT, FLG-CTR LK .500-13 GF ZCC
18	06500901	2	NUT, FLG-CTR LK .375-16 GR5 ZC120
19	07300532	1	PULLEY, FLAT 5.00X2.36X.375
20	08300708	1	SPRG, EXTENSION
21	09357700	1	SPACER SLEEVED SPACER, .510 X .867 X 1.148
22	06401008	1	WSHR-FL-STL 0.438X1X0.083 ZC120
23	07400126	7	SCR-TAP .38-16X.500 HWH ZCC
24	30139053	1	BRKT, PROSTANCE PTO IDLER(RED)

DISCHARGE CHUTE

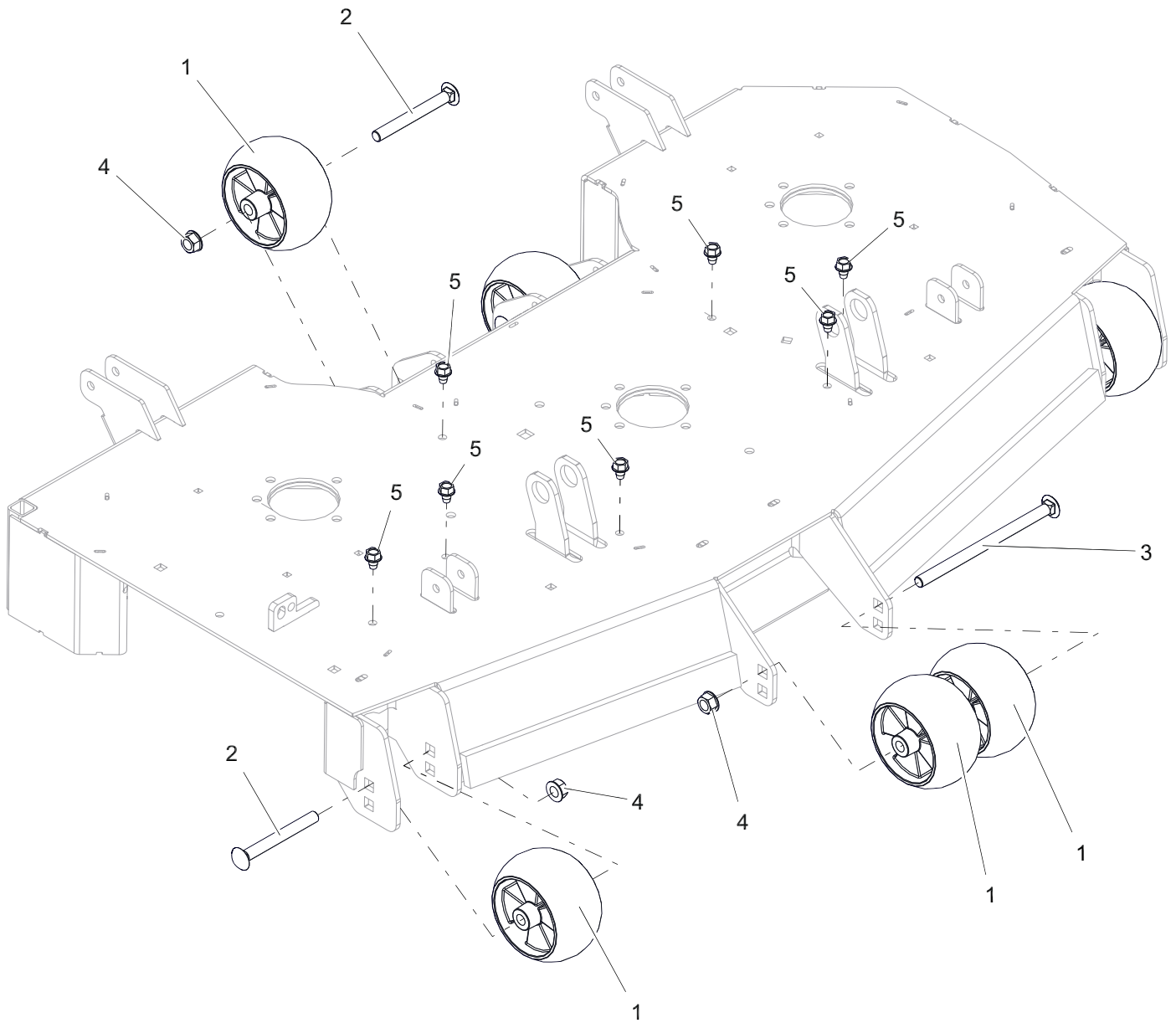
Models All



BOM ID	Number	Qty	Description
1	04880900	1	CHUTE, FORMED RUBBER DISCHARGE
2	04976153	1	PLATE, DICH CHUTE CLAMP (RED)
3	05500435	2	BUSHING FLANGED FLG .385 X .500 X .875 X .406
4	06200235	8	BTL,RHSSN .375-16 X 1 G5 ZCC
5	06500901	8	NUT, FLG-CTR LK .375-16 GR5 ZC120
6	09374253	1	BRKT, CHUTE MTG (RED)
7	59229900	1	BASE, DISCHARGE CHUTE MTG (RED) W/ SAFETY DECALS

ANTI-SCALP WHEELS AND BAFFLES – 48"

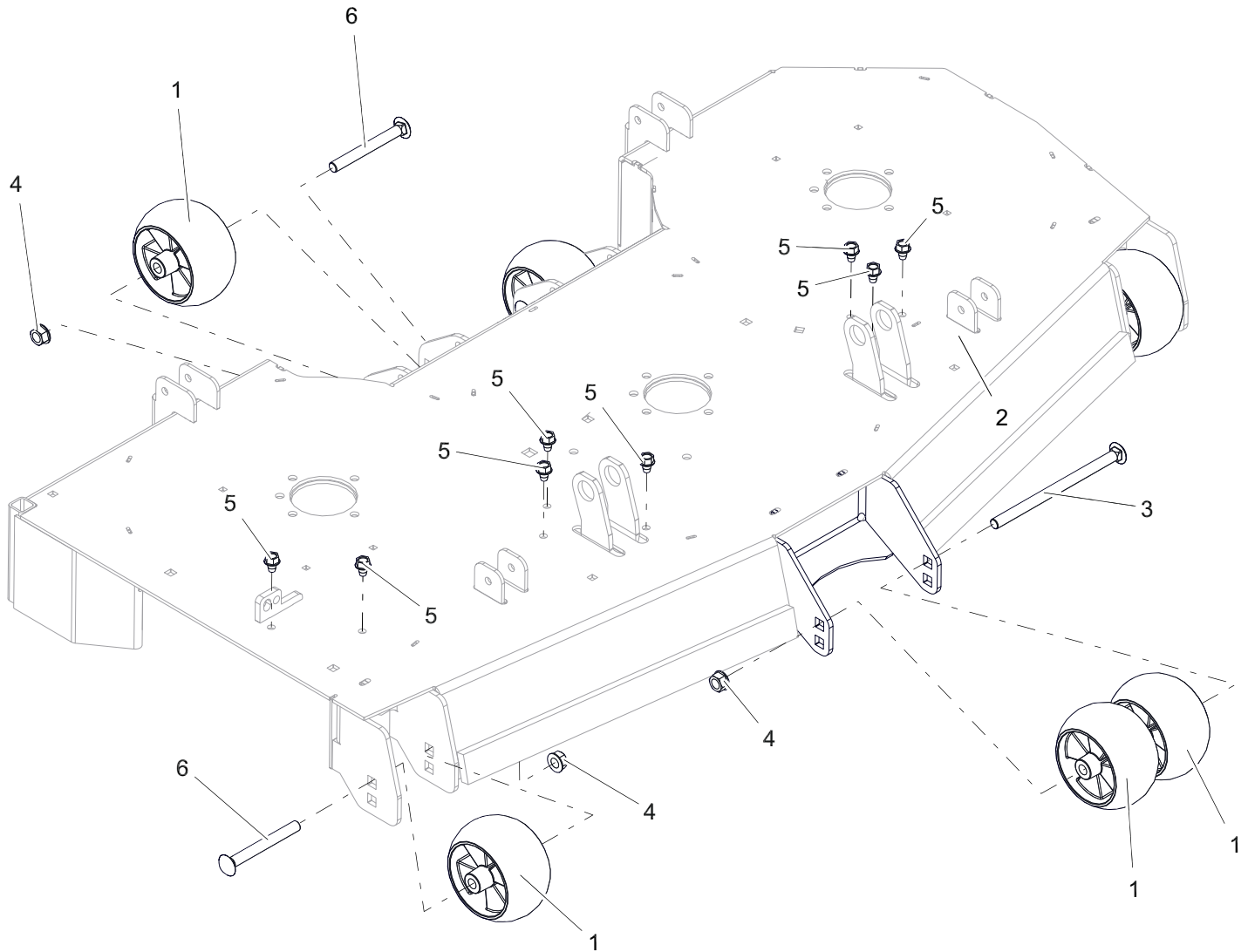
Model 994161



BOM ID	Number	Qty	Description
1	05268800	6	WHEEL, ANTI SCALP - 5X3 CTR W/RIBS
2	06200505	4	BOLT, BOLT, RHNS .50-13X4.50 G5 ZCC NS
3	06200506	1	BOLT, RHNS .50-13X8.00 G5 ZCC NS
4	06500902	5	NUT, FLG-CTR LK .500-13 GF ZCC
5	07400126	7	SCR-TAP .38-16X.500 HWH ZCC

ANTI-SCALP WHEELS AND BAFFLES – 52"

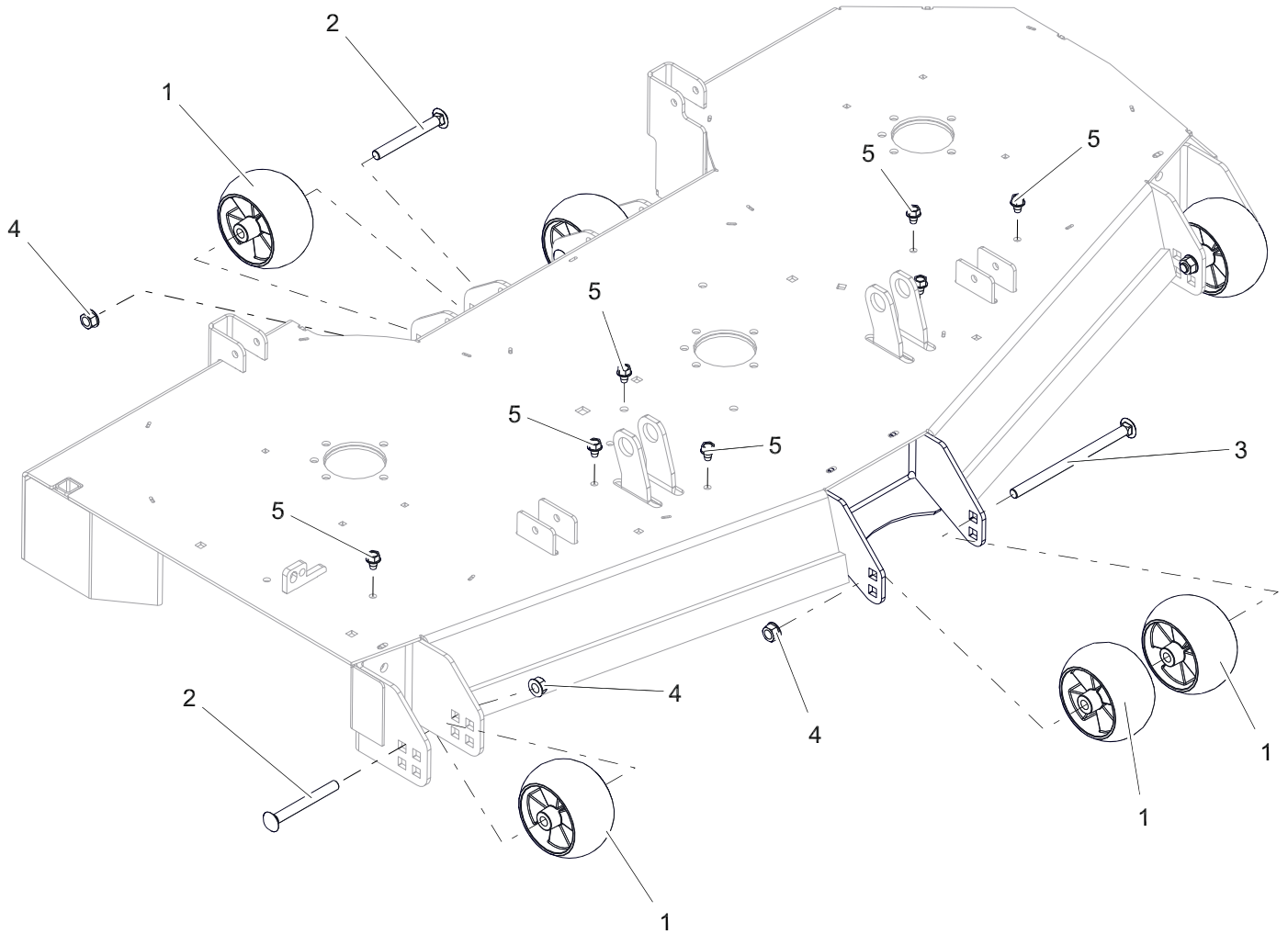
Models 994162, 163



BOM ID	Number	Qty	Description
1	05268800	6	WHEEL, ANTI SCALP - 5X3 CTR W/RIBS
2	06200425	2	BTL,RHSN .313-18 X 0.75 G5 ZCC LT
3	06200506	1	BOLT, RHNS .50-13X8.00 G5 ZCC NS
4	06500902	5	NUT, FLG-CTR LK .500-13 GF ZCC
5	07400126	8	SCR-TAP .38-16X.500 HWH ZCC
6	06200505	4	BOLT, BOLT, RHNS .50-13X4.50 G5 ZCC NS

ANTI-SCALP WHEELS AND BAFFLES – 60"

Models 994164, 165



BOM ID	Number	Qty	Description
1	05268800	6	WHEEL, ANTI SCALP - 5X3 CTR W/RIBS
2	06200505	4	BOLT, BOLT, RHNS .50-13X4.50 G5 ZCC NS
3	06200506	1	BOLT, RHNS .50-13X8.00 G5 ZCC NS
4	06500902	5	NUT, FLG-CTR LK .500-13 GF ZCC
5	07400126	7	SCR-TAP .38-16X.500 HWH ZCC

NOTES



655 West Ryan Street
Brillion, WI 54110

gravelly.com



ARIENS|CO