



# Pro-Stance

## Parts Manual

*Models:*

**994149 – 36" Pro-Stance**  
(SN 002000+)

**994157 – 32" Pro-Stance**  
(SN 002000+)

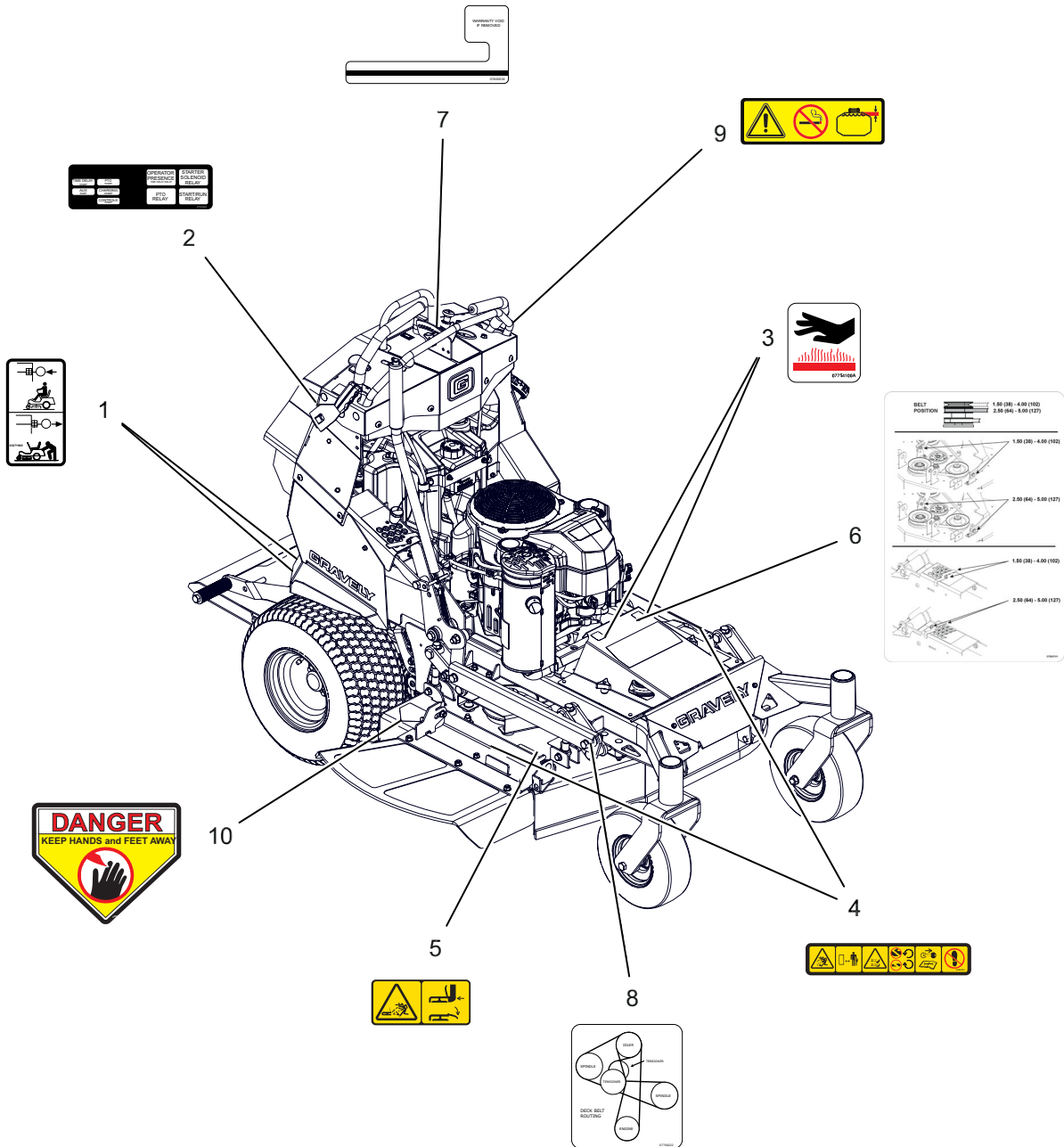
# TABLE OF CONTENTS

---

Decals – Safety .....	3	Fuel System .....	20
Decals – Style – 32" .....	4	Fenders .....	21
Decals – Style – 36" .....	5	Transaxle Guards.....	22
Engine and Frame .....	6	Rear Tires and Transaxles – 32" .....	23
Drive Belt and Clutch.....	7	Rear Tires and Transaxles – 36" .....	24
Tower and Dash .....	8	Electrical.....	25
Tower and Dash (Continued) .....	9	Continuity Diagram.....	26
Operator Pad and Switches.....	10	Electrical Diagram .....	27
Drive Controls.....	11	Front Casters .....	28
Drive Controls (Continued).....	12	Belt Covers.....	29
Parking Brake .....	13	Deck, Belt, Blades and Spindles – 32".....	30
Operator Platform .....	14	Deck, Belt, Blades and Spindles – 36".....	31
Deck Lift Foot Assist.....	15	Idlers and Sheaves .....	32
Height of Cut.....	16	Pivoting Idler .....	33
Deck Lift.....	17	Pivoting Idler (Continued).....	34
Deck Lift Mounts .....	18	Discharge Chute .....	35
Deck Lift Linkage .....	19		

# DECALS – SAFETY

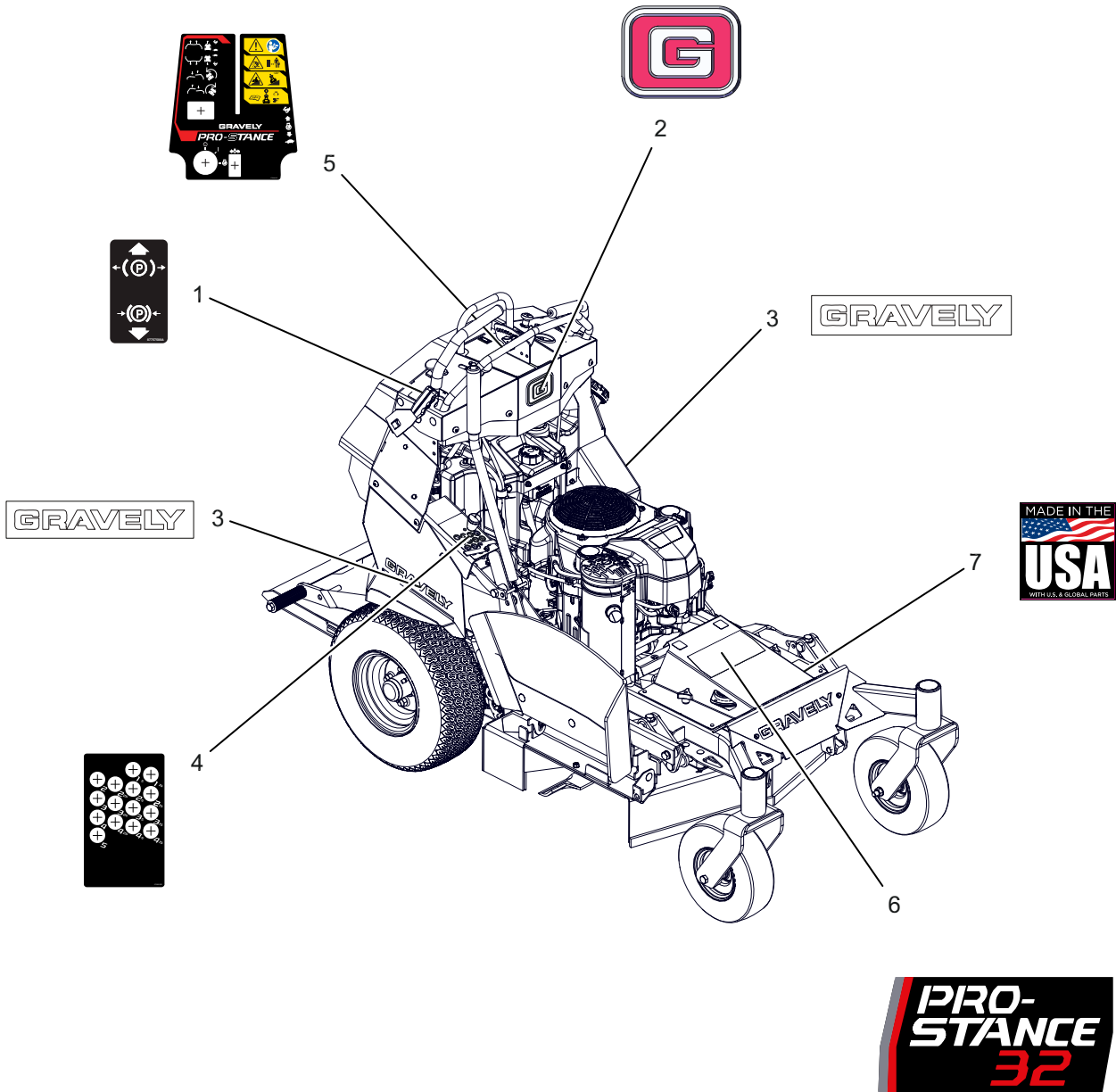
## Model All



BOM ID	Number	Qty	Description
1	03271900	2	DECAL, TRANSMISSION DISCONNECT
2	07700221	1	DECAL, FUSE BOX
3	07754100	2	DECAL, HOT SURFACE
4	07800410	2	DECAL, DECK SAFETY
5	07800402	1	DECAL, SAFETY - DECK GUARDING
6	07800741	1	DECAL, PRO STANCE - HOC ADJUSTMENT
7	07800928	1	DECAL, HOURMETER - SECURITY
8	07700222	1	DECAL, BELT RTG 32-36" PROSTANCE
9	07800820	1	DECAL, FUEL WARNING
10	02988100	1	DECAL, DANGER

# DECALS – STYLE – 32"

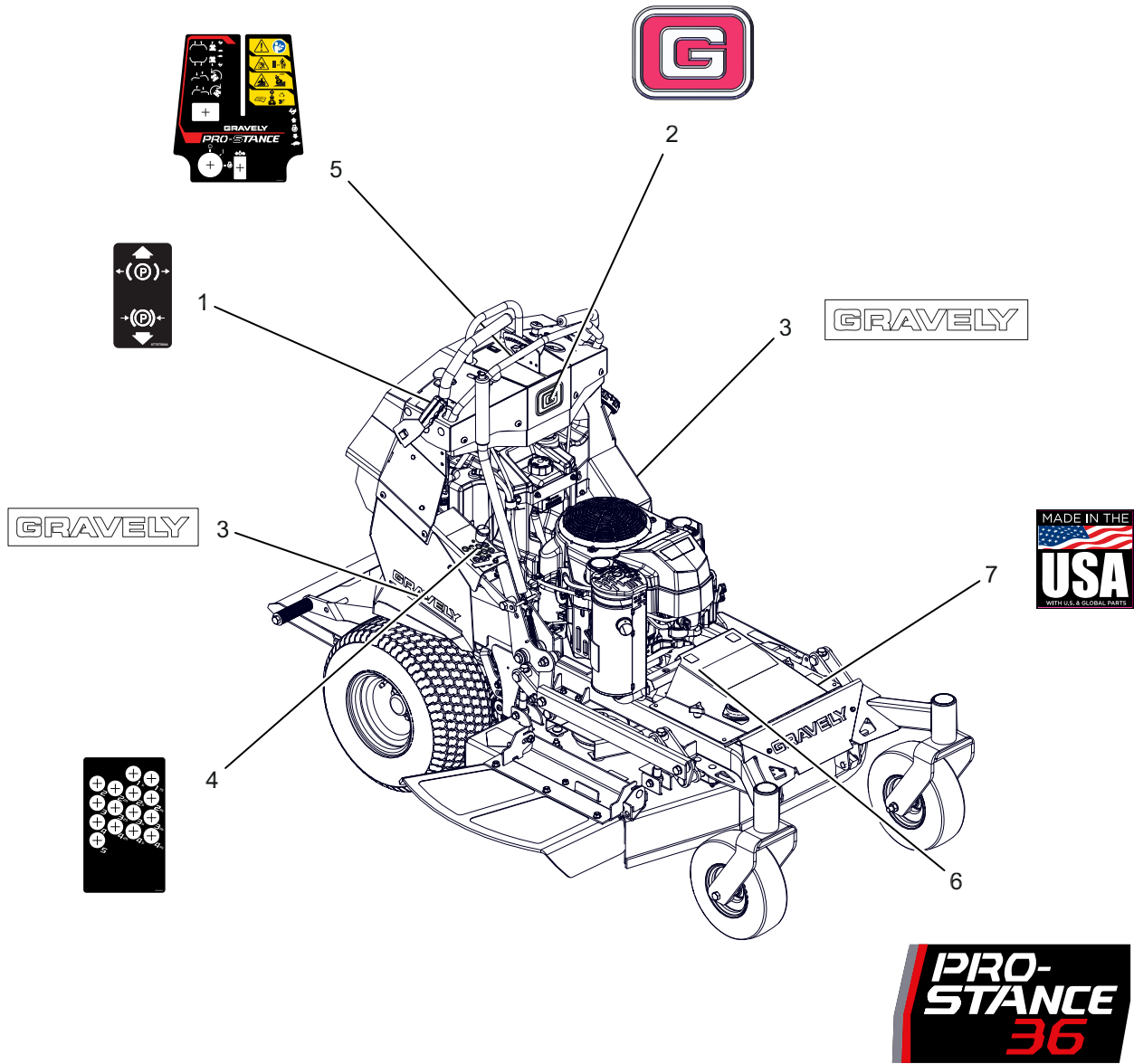
Model 994157



BOM ID	Number	Qty	Description
1	07757500	1	DECAL, PARKING BRAKE LEVER
2	07800534	1	DECAL, GRAVELY BRAND
3	07800618	2	DECAL, 9.5" GRAVELY LOGO
4	07801102	1	DECAL, PRO STANCE - 32-36 HOC
5	07801005	1	DECAL, DASH - PROSTANCE
6	07801010	1	DECAL, PROSTANCE 32
7	08001038	1	DECAL, MADE IN USA

# DECALS – STYLE – 36"

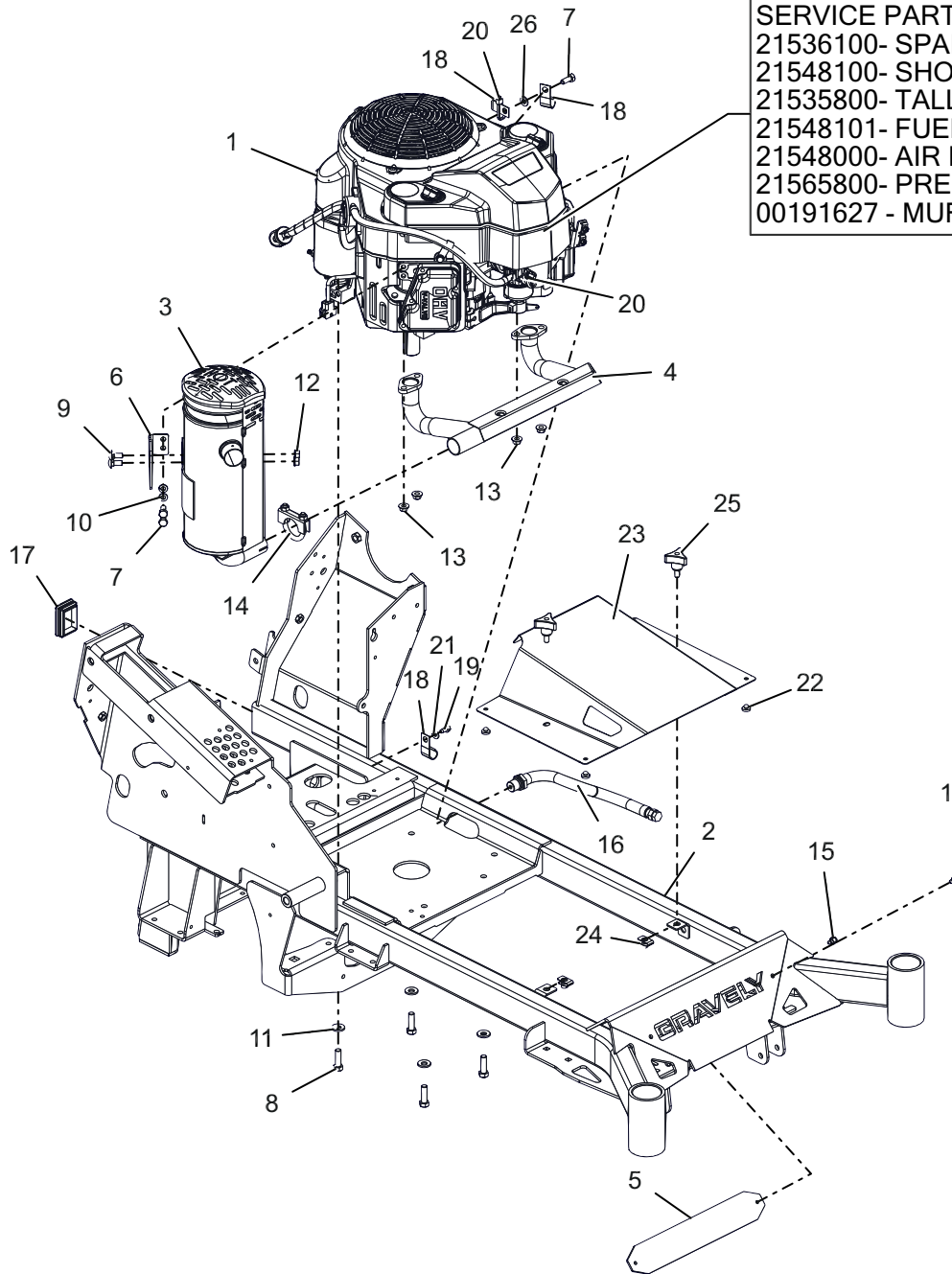
Model 994149



BOM ID	Number	Qty	Description
1	07757500	1	DECAL, PARKING BRAKE LEVER
2	07800534	1	DECAL, GRAVELY BRAND
3	07800618	2	DECAL, 9.5" GRAVELY LOGO
4	07801102	1	DECAL, PRO STANCE - 32-36 HOC
5	07801005	1	DECAL, DASH - PROSTANCE
6	07801011	1	DECAL, PROSTANCE 36
7	08001038	1	DECAL, MADE IN USA

# ENGINE AND FRAME

## Model All



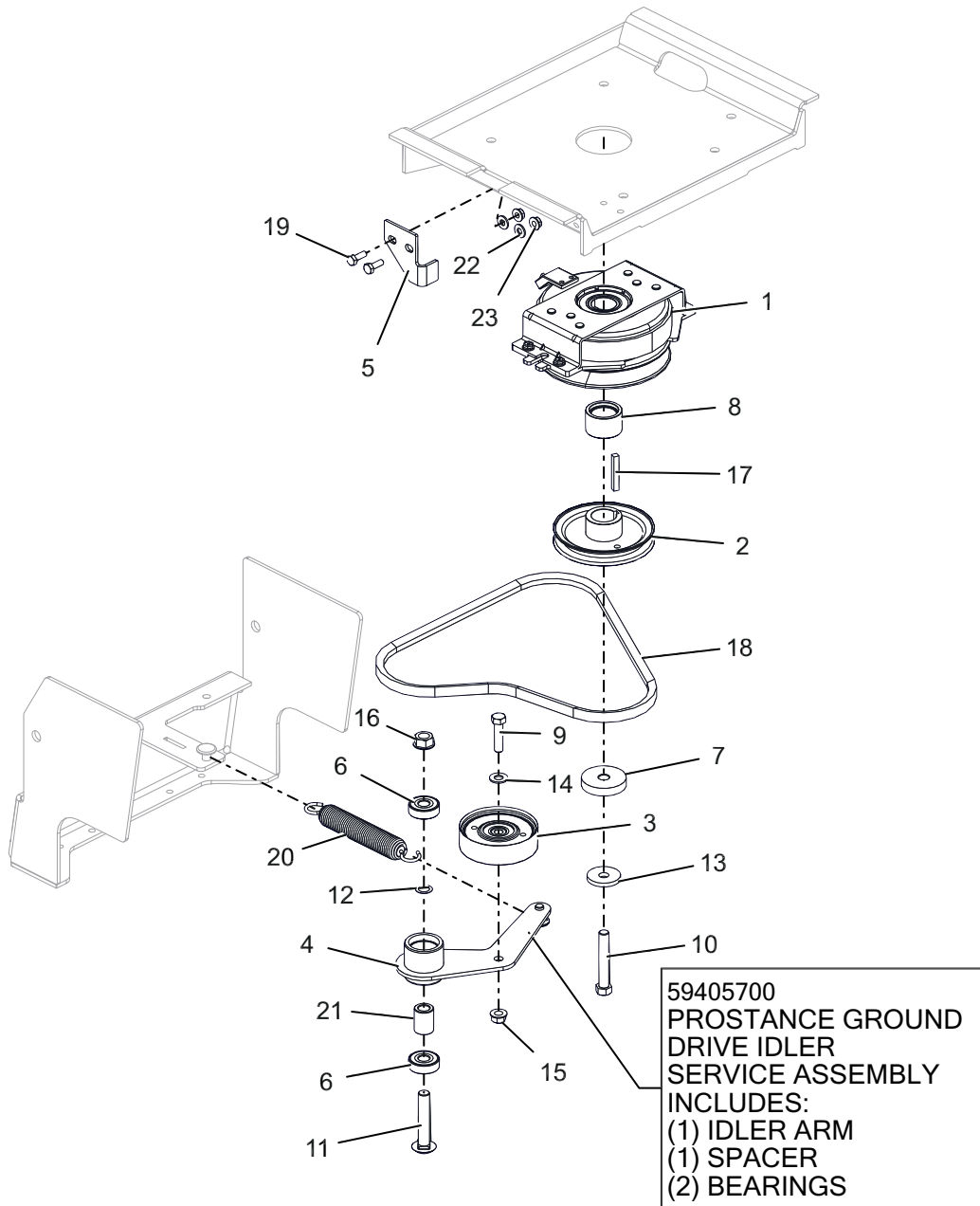
**SERVICE PARTS**  
 21536100- SPARK PLUG  
 21548100- SHORT OIL FILTER  
 21535800- TALL OIL FILTER  
 21548101- FUEL FILTER  
 21548000- AIR FILTER  
 21565800- PRE FILTER  
 00191627 - MUFFLER GASKET

BOM ID	Number	Qty	Description
1	08200921	1	ENGINE, KAWASAKI FS600
2	05246753	1	WLDMT, PROSTANCE 36" FRAME (RED)
3	05192200	1	MUFFLER, PROSTANCE
4	05258900	1	MANIFOLD PRO STANCE 32-36" EXHAUST
5	05171751	1	BACK, NAME PLATE (BLACK)
6	05192851	1	BRKT, MFLR MOUNT (BLACK)
7	05901628	3	BLT,HEX M8-1.25X20 G8.8 ZC120
8	05901808	4	BLT, HEX 0.375-16X1.25 GR5 ZCC NT
9	06200232	2	BTL,RHSN .313-18 X 0.75 G5 ZCC
10	06300119	2	WSHR,LK-REG 0.314 X 0.078 ZCC
11	06400927	4	WSHR, 3/8" SPRING DISC
12	06500840	2	NUT, FLG-CTR LK .312-18 GR5 ZCC
13	06500919	4	NUT, FLG-TOP LK M8-1.25 ZCC
14	06900722	1	CLAMP, MUFFLER - 1.438

BOM ID	Number	Qty	Description
15	07400122	2	SCR-TAP .25-20X.50 HWH ZCC
16	07001730	1	HOSE, OIL DRAIN
17	07500432	1	PLUG, RECT 1.575 x 2.362
18	06916000	3	J-CLAMP
19	07400122	1	SCR-TAP .25-20X.50 HWH ZCC
20	00111910	2	CABLE TIE, .15 X 8.50
21	06401001	1	WSHR-FL-STL 0.281X0.625X0.065 ZC120
22	07503100	4	BUMPER, GROMMET
23	05257100	1	COVER, BELT (RED)
24	07000829	2	NUT-CLIP RETAINER 5/16-18X.56
25	07500008	2	KNOB, WING STUD .312-18X.75
26	06401017	1	WSHR-FL-STL 0.344X0.688X0.065 ZC120

# DRIVE BELT AND CLUTCH

## Model All

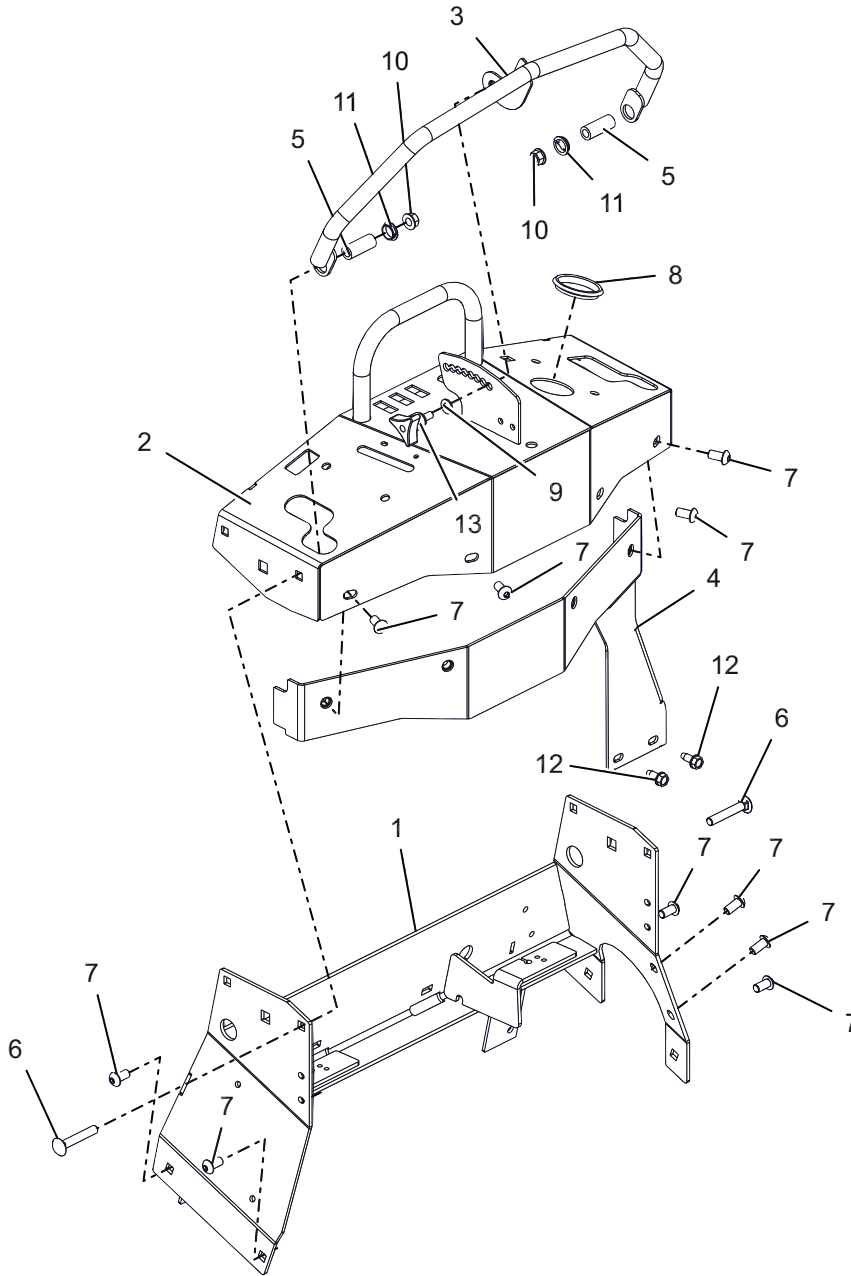


BOM ID	Number	Qty	Description
1	05143700	1	CLUTCH, OGURA GT2.75-BB05
2	07349151	1	SHEAVE, ENGINE 4.50 OD x 1.127 ID (BLACK)
3	07341100	1	IDLER, FLAT - 3.50" X .75"
4	05252100	1	WLDMT, IDLER ARM
5	09162351	1	BRKT, CLUTCH STOP (BLACK)
6	05408000	2	BRG-BALL .500X1.375X.44
7	05501222	1	SPCR, .450 X 2.00 X .396
8	05501405	1	SPCR, CLUTCH
9	05901928	1	BLT, HEX 0.375-16X1.5 GR5 ZCC
10	05902013	1	BLT, HEX 0.4375-20X2.75 G8 ZCC NT
11	06200433	1	BTL,RHSSN .500-13 X 2.75 G5 ZCC
12	06400015	1	WASHER-FLAT-STL, .500 X .750 X .020

BOM ID	Number	Qty	Description
13	06400936	1	WSHR, 7/16" SPRING DISC
14	06401013	1	WSHR-FL-STL 0.406X0.812X0.065 ZC120
15	06500901	1	NUT, FLG-CTR LK .375-16 GR5 ZC120
16	06500902	1	NUT, FLG-CTR LK .500-13 GG ZCC
17	06601800	1	KEY-STR .25X1.75X.25
18	07200835	1	V-BELT, A-RAW EDGED LAMINATED
19	05901716	2	BLT, HEX 0.25-20X0.75 GR5 ZC120
20	08300513	1	SPRG, EXTENSION
21	09357700	1	SPACER, .510 X .750 X 1.148
22	06401001	2	WSHR-FL-STL 0.281X0.625X0.065 ZC120
23	06500903	2	NUT, FLG-TOP LK .250-20 GR5 ZC120

# TOWER AND DASH

## Model All

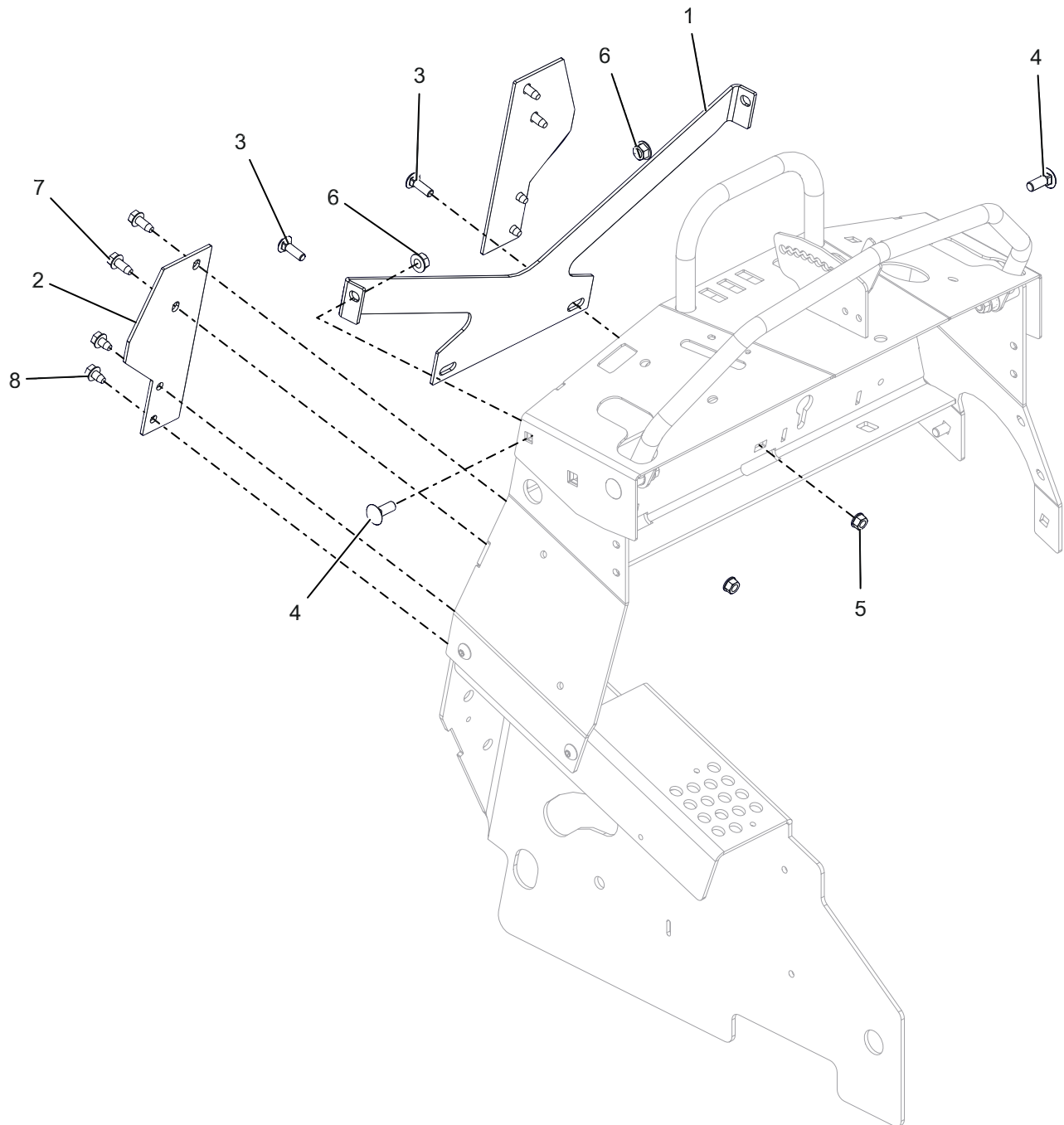


BOM ID	Number	Qty	Description
1	09165900	1	WLDMT, TOWER (RED)
2	09166000	1	WLDMT, DASH (RED)
3	05190651	1	WLDMT, CRUISE BAR (BLACK)
4	09165551	1	WLDMT, DASH ACCENT (BLACK)
5	03954800	2	SPACER, .375 X .625 X 1.54
6	06200301	2	BTL,RHSN .375-16 X 2.25 G5 ZCC
7	06100238	10	SCR,BTNHD .375-16X.75 ZCC
8	07500433	1	GROMMET, RUBBER 1.89 ID
9	06401017	1	WSHR-FL-STL 0.344X0.688X0.065 ZC120
10	06500901	2	NUT, FLG-CTR LK .375-16 GR5 ZC120
11	05500021	2	BSHG, POLYLINER - .63 SNAP-IN
12	07400127	2	SCR-TAP .312-18X.75 HWH ZCC
13	07500008	1	KNOB, WING STUD .312-18X.75



# TOWER AND DASH (CONTINUED)

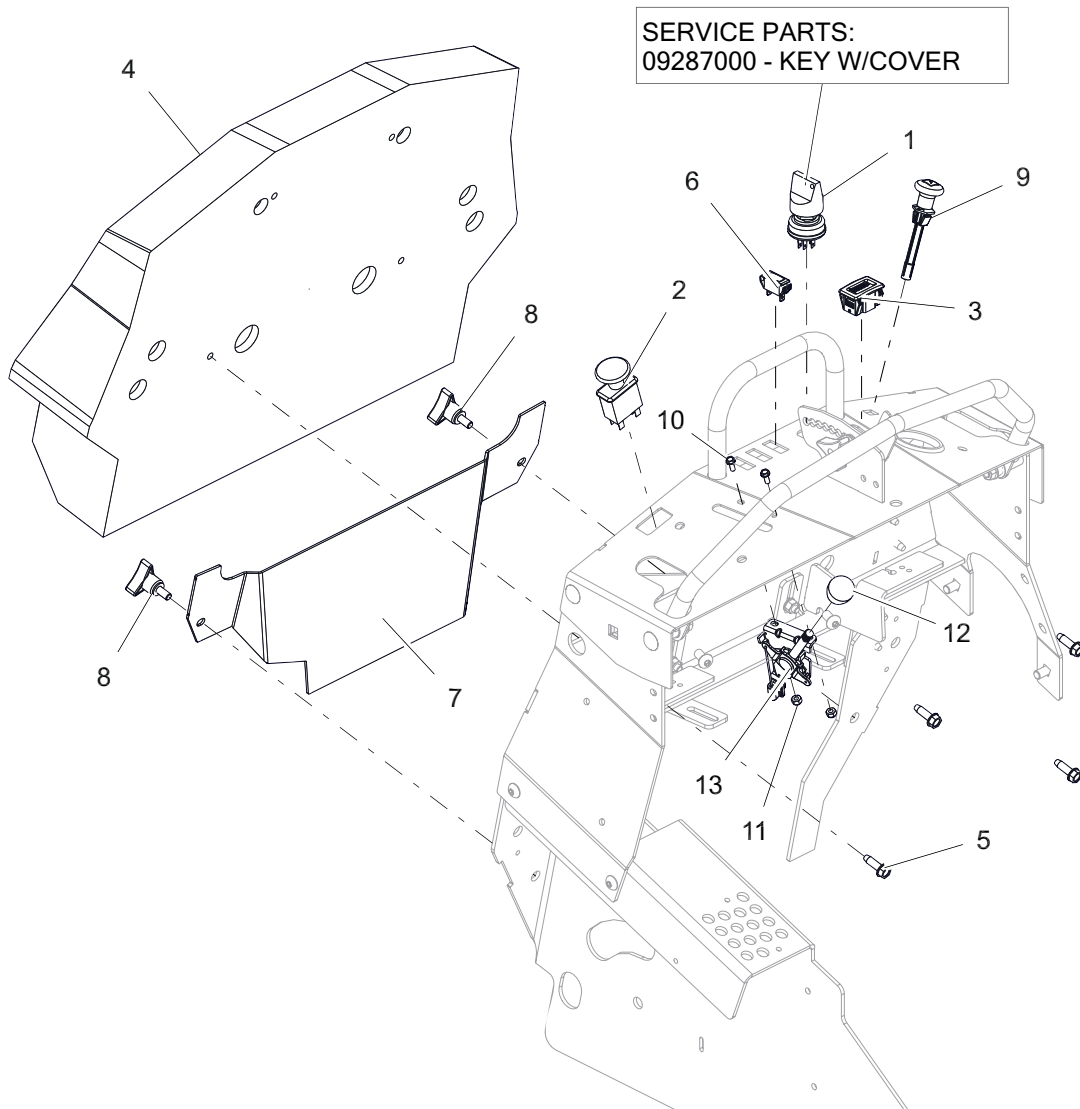
Model All



BOM ID	Number	Qty	Description
1	09165453	1	BRKT, UPPER REAR SUPPORT (RED)
2	09165353	2	PLATE, LOWER REAR SUPPORT (RED)
3	06200231	2	BTL,RHSN .313-18 X 1 G5 ZCC
4	06200313	2	BTL,RHSN .375-16 X 1 G5 ZCC
5	06500840	2	NUT, FLG-CTR LK .312-18 GR5 ZCC
6	06500901	2	NUT, FLG-CTR LK .375-16 GR5 ZC120
7	07400127	4	SCR-TAP .312-18X.75 HWH ZCC
8	07400124	4	SCR-TAP .312-18X.50 HWH ZCC

# OPERATOR PAD AND SWITCHES

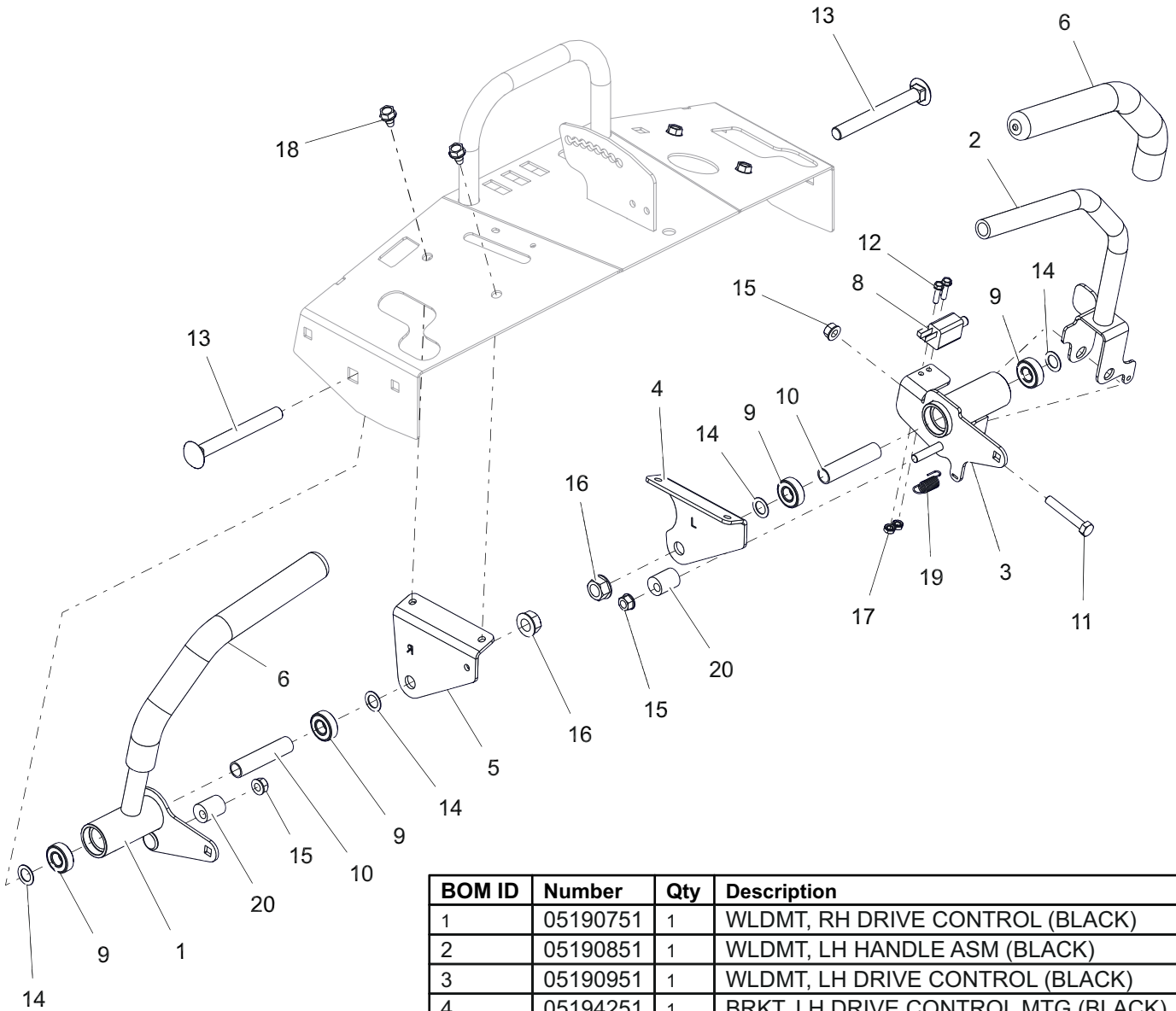
Model All



BOM ID	Number	Qty	Description
1	04331600	1	SWITCH, IGNITION
2	01545600	1	SWITCH, CLUTCH
3	09497400	1	METER, HOUR - NO PRINT
4	05259100	1	PAD, OPERATOR - PROSTANCE
5	07400202	4	SCR-TAP .312-18X1.00 HWH ZCC
6	05128700	1	LIGHT, INDICATOR (RED)
7	05265851	1	COVER, REAR TOWER (BLACK)
8	07500008	2	KNOB, WING STUD .312-18X.75
9	06900408	1	CABLE, CHOKE (SNAP IN)
10	05901825	2	SCR-MCH 10-24X.50 HWH ZCC
11	06500915	2	NUT, LK-NYL #10-24 GR5 ZC120
12	07500132	1	KNOB, CONTROL BLACK .38-16X.50
13	06900717	1	CABLE, PRO STANCE - CONTROL 43.00"

# DRIVE CONTROLS

## Model All

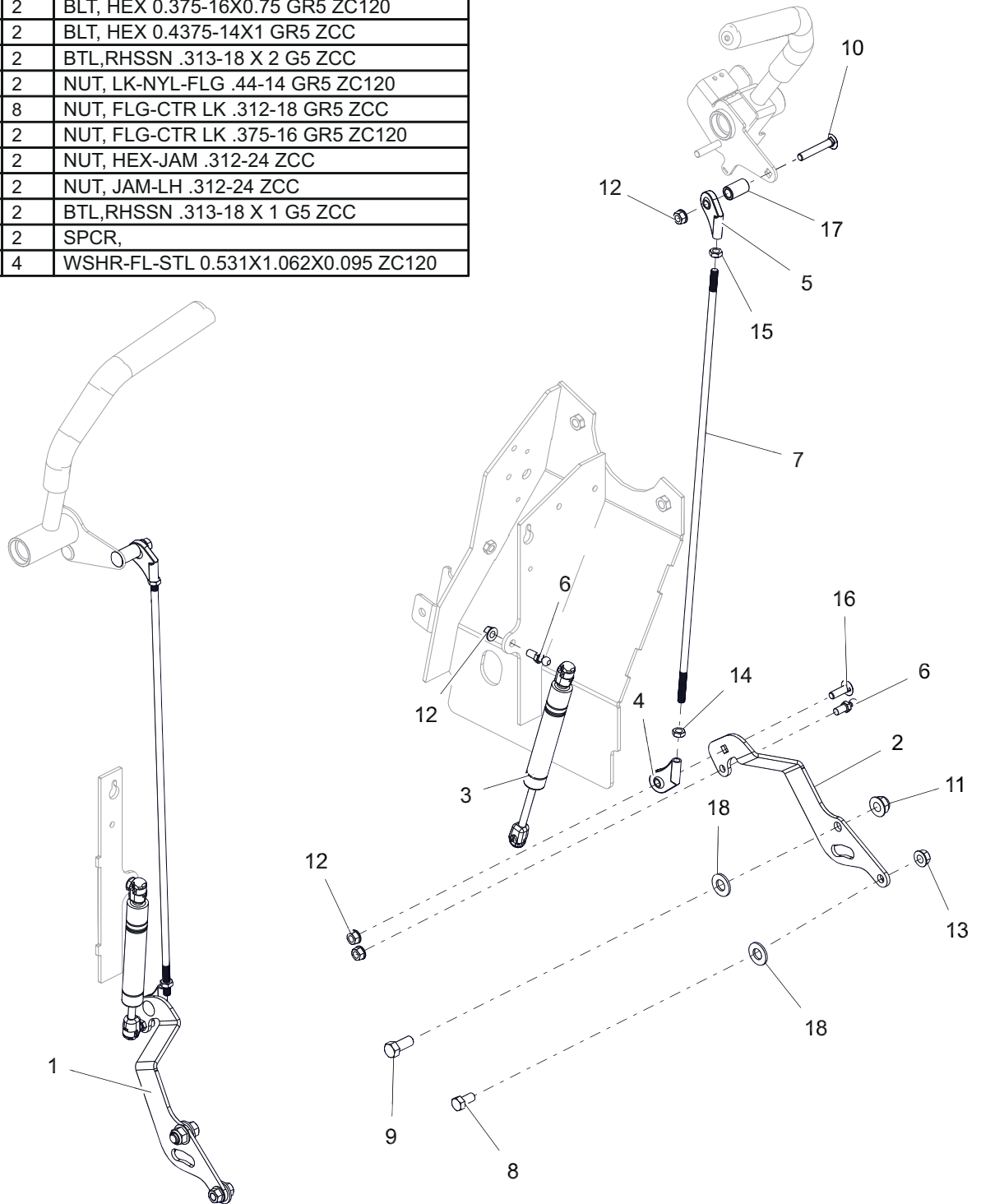


BOM ID	Number	Qty	Description
1	05190751	1	WLDMT, RH DRIVE CONTROL (BLACK)
2	05190851	1	WLDMT, LH HANDLE ASM (BLACK)
3	05190951	1	WLDMT, LH DRIVE CONTROL (BLACK)
4	05194251	1	BRKT, LH DRIVE CONTROL MTG (BLACK)
5	05194351	1	BRKT, RH DRIVE CONTROL MTG (BLACK)
6	00675200	2	GRIP, HANDLEBAR REV
8	03657100	1	SWITCH, SINGLE POLE - N.O.
9	05400007	4	BRG-BALL .500X1.125X.375
10	05501332	2	SPCR, .510 X .625 X 2.750
11	05901805	1	BLT, HEX 0.3125-18X2 GR5 ZCC
12	05901837	2	SCR-MCH 10-24X.75 HWH ZCC
13	06200240	2	BTL,RHSN .500-13 X 4.5 G5 ZCC
14	06401133	4	WSHR-FL-STL 0.52X0.81X0.033 ZCC
15	06500840	3	NUT, FLG-CTR LK .312-18 GR5 ZCC
16	06500902	2	NUT, FLG-CTR LK .500-13 GF ZCC
17	06500934	2	NUT-KEPS 10-24
18	07400124	4	SCR-TAP .312-18X.50 HWH ZCC
19	08300036	1	SPRG, EXTENSION
20	09235700	2	ECCENTRIC

# DRIVE CONTROLS (CONTINUED)

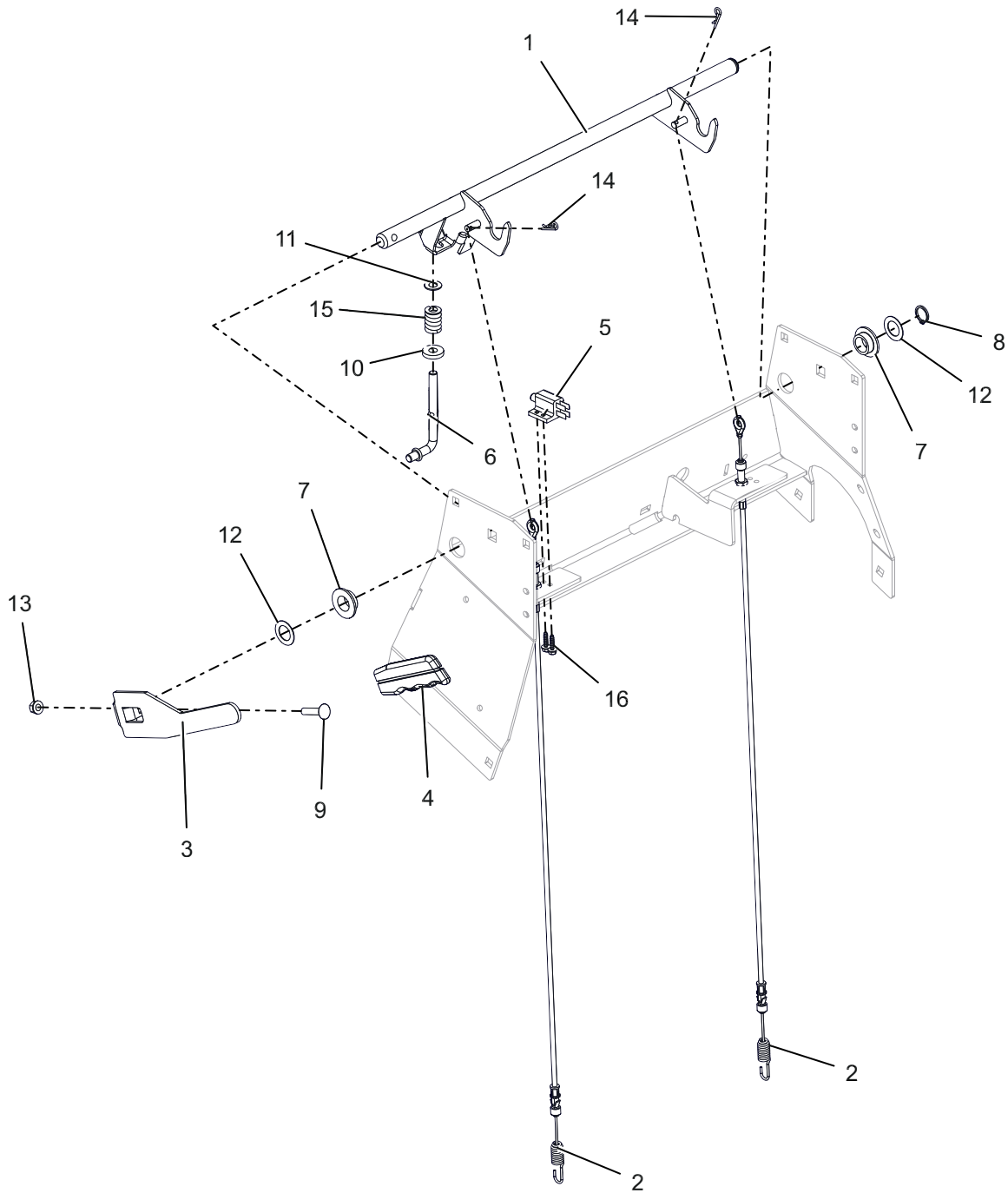
Model All

BOM ID	Number	Qty	Description
1	05259451	1	ARM, RH 32-36" DRIVE CONTROL (BLACK)
2	05259551	1	ARM, LH 32-36" DRIVE CONTROL (BLACK)
3	03914100	2	DAMPER, CONTROL
4	09158500	2	END, ROD 5/16-24 RH
5	09158600	2	END, ROD 5/16-24 LH
6	03652200	4	STUD-BALL
7	05194700	2	ROD, STEERING
8	05901702	2	BLT, HEX 0.375-16X0.75 GR5 ZC120
9	05901913	2	BLT, HEX 0.4375-14X1 GR5 ZCC
10	06200431	2	BTL,RHSSN .313-18 X 2 G5 ZCC
11	06500811	2	NUT, LK-NYL-FLG .44-14 GR5 ZC120
12	06500840	8	NUT, FLG-CTR LK .312-18 GR5 ZCC
13	06500901	2	NUT, FLG-CTR LK .375-16 GR5 ZC120
14	06500923	2	NUT, HEX-JAM .312-24 ZCC
15	06501002	2	NUT, JAM-LH .312-24 ZCC
16	06200237	2	BTL,RHSSN .313-18 X 1 G5 ZCC
17	05501325	2	SPCR,
18	06401015	4	WSHR-FL-STL 0.531X1.062X0.095 ZC120



# PARKING BRAKE

Model All

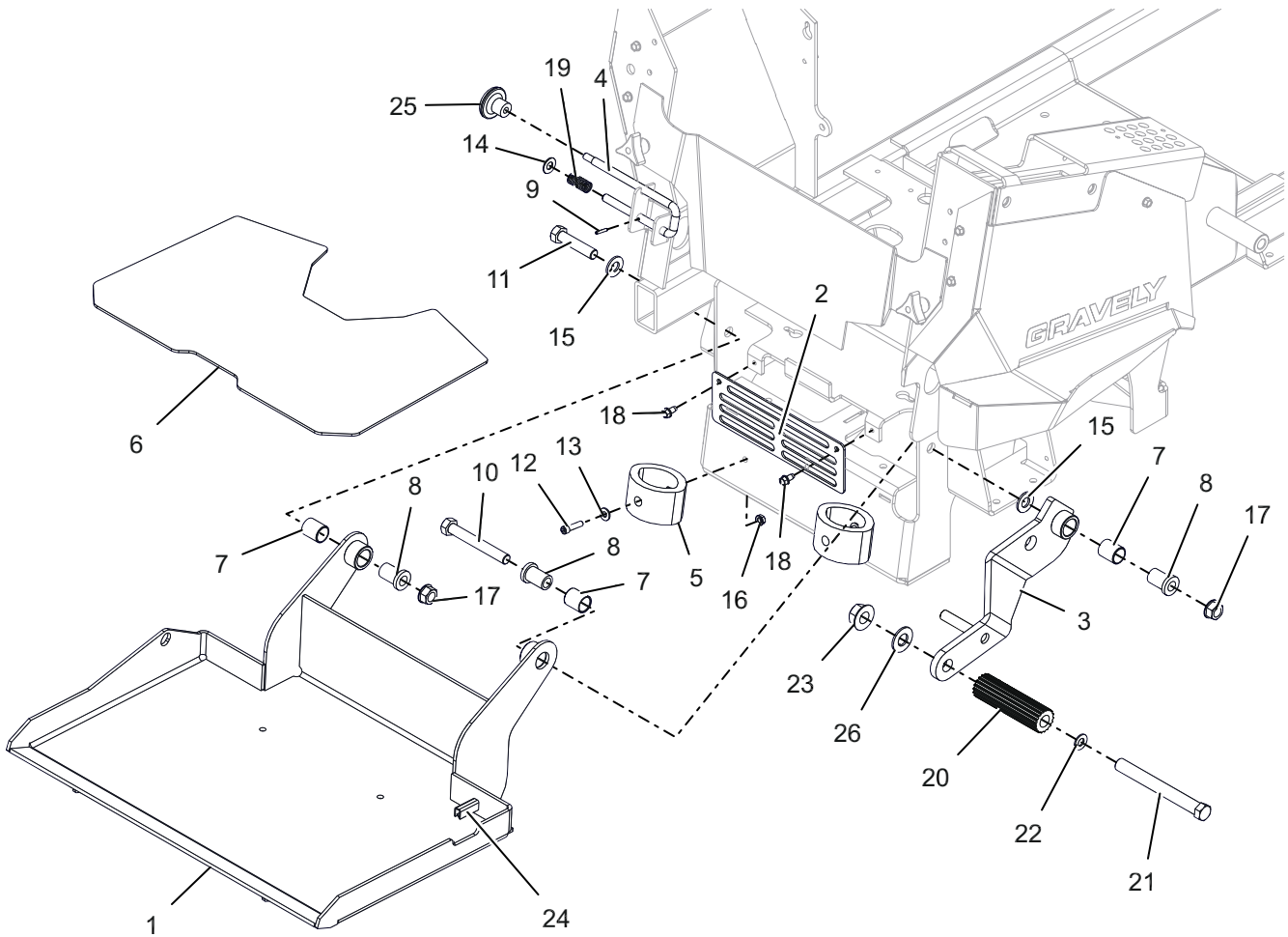


BOM ID	Number	Qty	Description
1	05190451	1	WLDMT, PARKING BRAKE SHAFT (BLACK)
2	06900719	2	CABLE, BRAKE - PROSTANCE
3	05259951	1	HANDLE, PARK BRAKE (BLACK)
4	03826900	1	GRIP, PARKING BRAKE (YELLOW)
5	03606600	1	SWITCH- DOUBLE POLE N.O./N.O.
6	05166900	1	LINK, OVER CENTER BRAKE
7	05525200	2	BSHG, FLANGE .762 X 1.48 X .44 NYLON
8	05714600	1	RG-RTNG-EXT .750x.078
9	06200233	1	BTL,RHSN .313-18 X 1.5 G5 ZCC

BOM ID	Number	Qty	Description
10	06401108	1	WSHR-FL-STL 0.406X1X0.188 ZCC
11	06401129	1	WSHR-FL-STL 0.406X0.812X0.055 HRD
12	06401136	2	WSHR-FL-STL 0.76X1.225X0.032 ZCC
13	06500840	1	NUT, FLG-CTR LK .312-18 GR5 ZCC
14	06700222	2	PIN, HAIR #213 .08X1.19 ZCC
15	08320900	1	SPRG, COMPRESSION
16	06100232	2	SCR, PLASTITE-HWH 0.2 X 0.75 ZC120

# OPERATOR PLATFORM

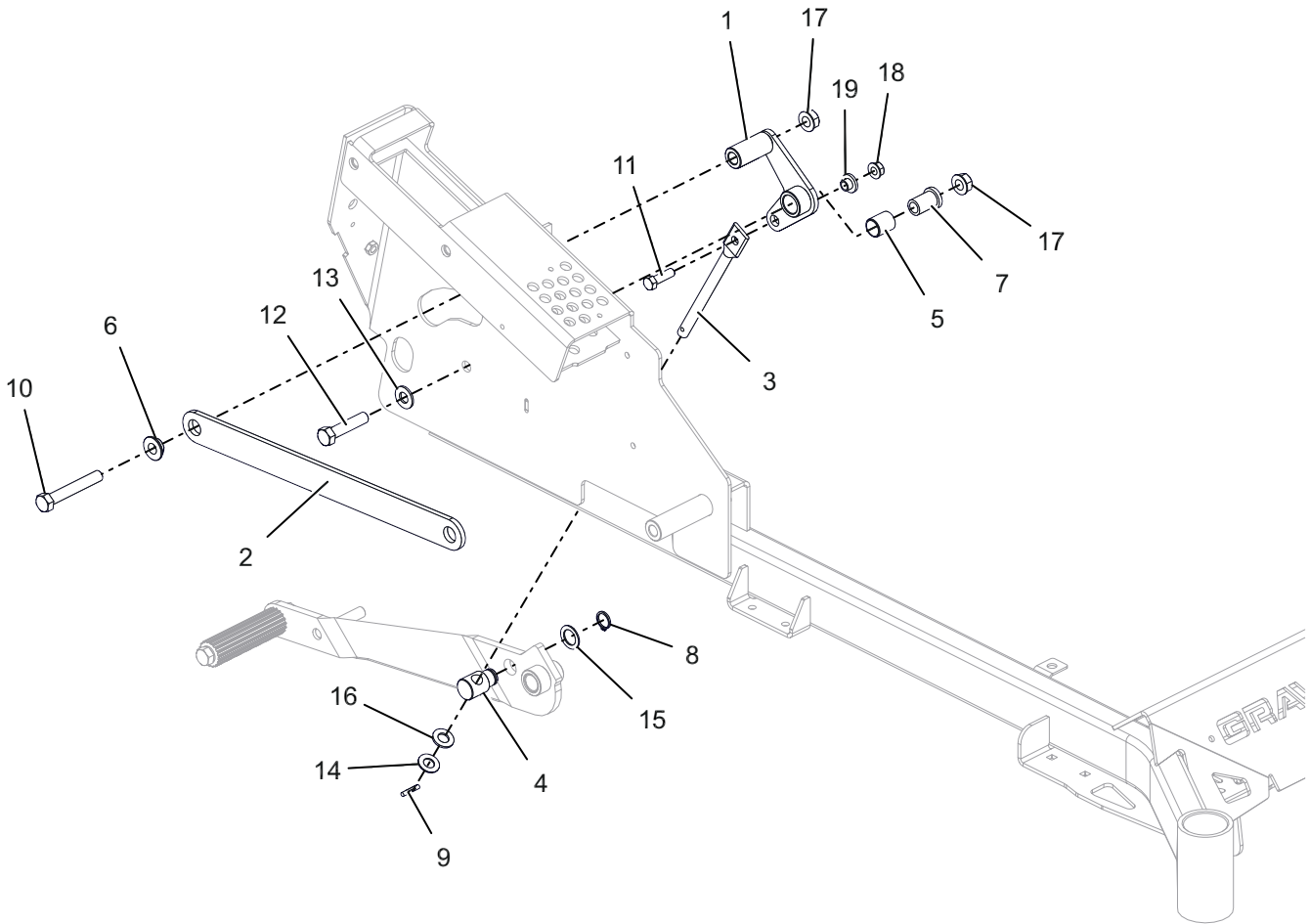
## Model All



BOM ID	Number	Qty	Description
1	05260151	1	PLATFORM, 32-36" OPERATOR (BLACK)
2	05268553	1	GUARD, FOOT (RED)
3	05272600	1	WLDMT, DECK LIFT FOOT ASSIST (BLACK)
4	05266400	1	PIN, PLATFORM LOCK
5	05255200	2	BUMPER, PLATFORM
6	05258700	1	TAPE, OPERATOR PLATFORM GRIP
7	05435900	3	BRG, .750 X .875 X 1.000
8	05527200	3	BSHG, FLANGE
9	05803400	1	PIN-ROLL .125X.750
10	05901703	1	BLT, HEX 0.5-13X3.75 GR5 ZC120
11	05901835	1	BLT, HEX 0.5-13X2.25 GR5 ZCC
12	05902033	2	SCR, SKH .25-20X1.00
13	06401001	2	WSHR-FL-STL 0.281X0.625X0.065 ZC120
14	06401129	1	WSHR-FL-STL 0.406X0.812X0.055 HRD
15	06401015	2	WSHR-FL-STL 0.531X1.062X0.095 ZC120
16	06500921	2	NUT-KEPS .250-20
17	06500902	2	NUT, FLG-CTR LK .500-13 GG ZCC
18	07400122	2	SCR-TAP .25-20X.50 HWH ZCC
19	08300028	1	SPRG, COMPRESSION
20	05120951	1	ROD, FOOT PEDAL (BLACK)
21	05901730	1	BLT, HEX 0.625-11X5.5 GR5 ZB500
22	06401013	1	WSHR-FL-STL 0.406X0.812X0.065 ZC120
23	06500835	1	NUT,FLG-TOP LK .625-11 FBP
24	00918200	1	STRIP, COWL - 1.25 LG
25	07539900	1	KNOB, PUSH -PULL .312-18
26	06401039	1	WSHR-FL-STL 0.656X1.312X0.095 RIE5230

# DECK LIFT FOOT ASSIST

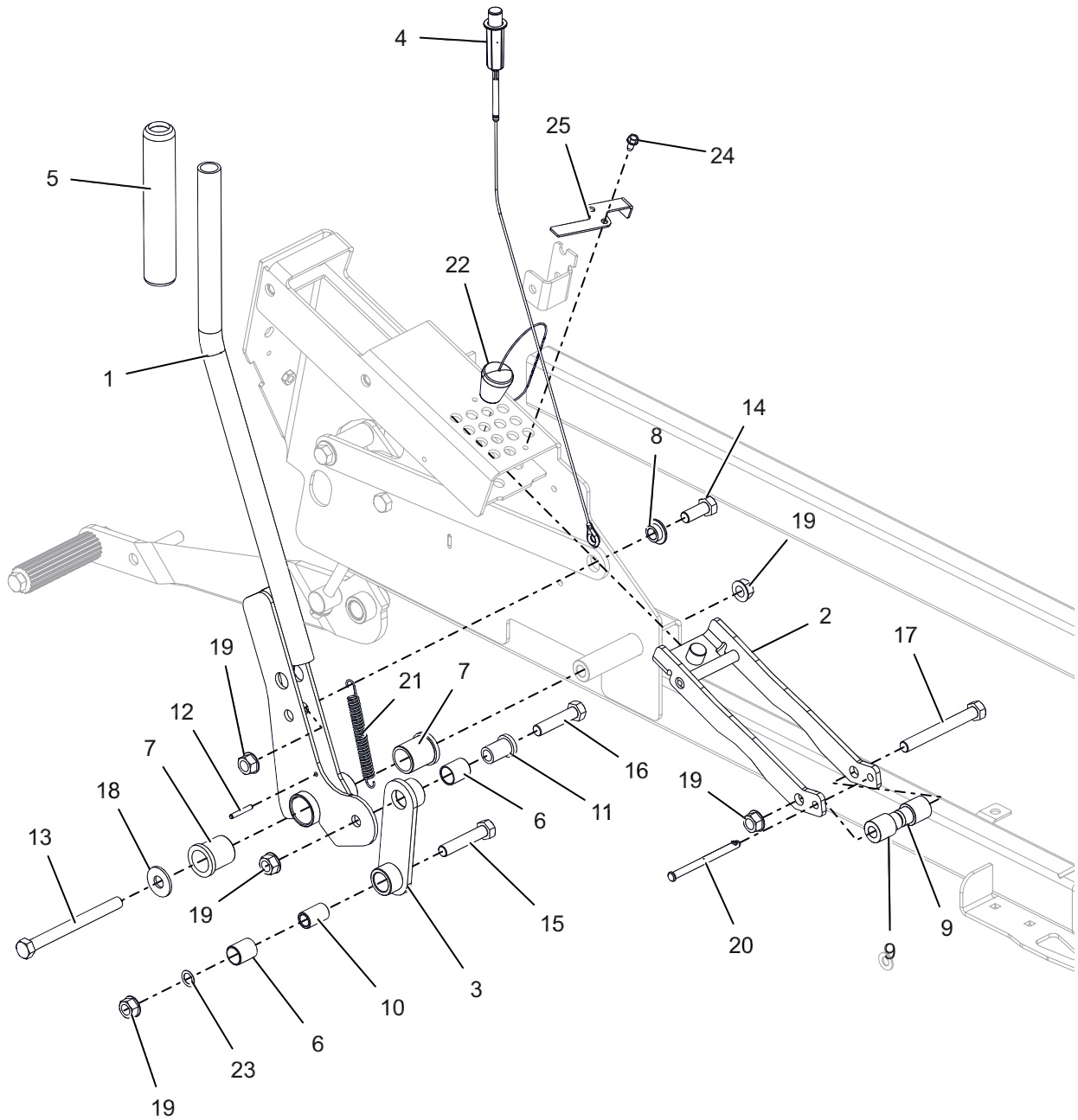
## Model All



BOM ID	Number	Qty	Description
1	05199651	1	WLDMT, PIVOT BRKT (BLACK)
2	05247351	1	LINK, DECK LIFT FOOT ASSIST (BLACK)
3	05199300	1	LINK, HOC FOOT
4	05199400	1	TRUNNION, DECK LIFT FOOT ASSIST
5	05435900	1	BRG, .750 X .875 X 1.000
6	05501135	1	BSHG, FLANGE .515X.750X.420X1.12
7	05527200	1	BSHG, FLANGE
8	05714600	1	RG-RTNG-EXT .750x.078
9	05807200	1	PIN-GRV .1865 X 1.00 TP E
10	05901634	1	BLT, HEX 0.5-13X3.25 GR5 ZC120
11	05901724	1	BLT, HEX 0.375-16X1.25 GR5 ZC120
12	05901835	1	BLT, HEX 0.5-13X2.25 GR5 ZCC
13	06401015	1	WSHR-FL-STL 0.531X1.062X0.095 ZC120
14	06401115	1	WSHR-FL-STL 0.531X1X0.063 ZCC
15	06401119	1	WSHR-FL-STL 0.754X1.125X0.062 ZCC
16	06401209	1	WSHR, RUBBER .531 X 1.000 X .094
17	06500902	2	NUT, FLG-CTR LK .500-13 GG ZCC
18	06500901	1	NUT, FLG-CTR LK .375-16 GR5 ZC120
19	05500435	1	BSHG, FLG .385 X .500 X .875 X .406

# HEIGHT OF CUT

## Model All



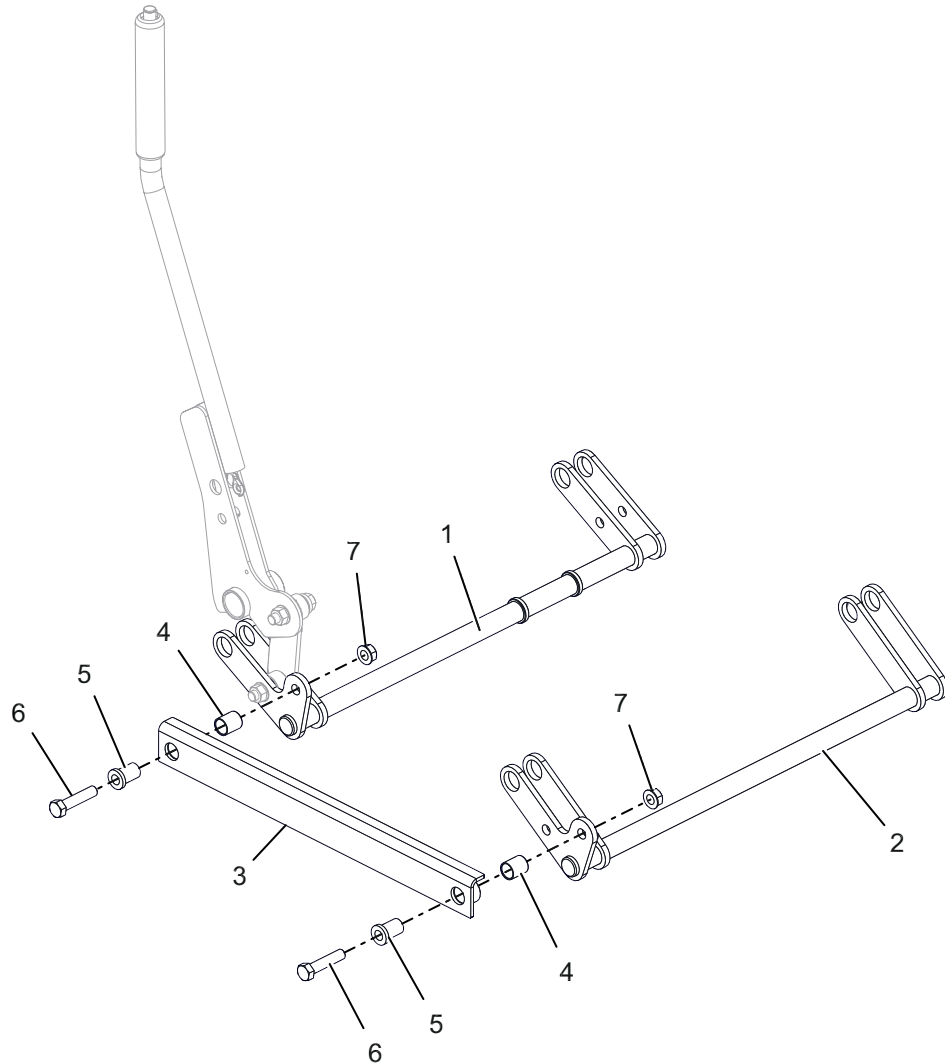
BOM ID	Number	Qty	Description
1	05190551	1	WLDMT, HOC LEVER (BLACK)
2	05193951	1	WLDMT, HOC BRACKET (BLACK)
3	05198851	1	WLDMT, HOC LEVER LINK (BLACK)
4	06900718	1	CABLE, HOC PUSH CONTROL
5	05242500	1	GRIP, DECK LIFT
6	05400729	2	BRG, .750 X .875 X 1.000
7	05500934	2	BSHG-FLG 1.00X1.25X1.5X1.5
8	05501135	1	BSHG, FLANGE .515X.750X.420X1.12
9	05501333	2	BSHG, FLANGE .515 X .750 X 1.544 X 1.000
10	05501338	1	SPCR, SLV .532 X .750 X 1.150
11	05527200	1	BSHG, FLANGE
12	05800300	1	PIN-ROLL .188X1.25
13	05901632	1	BLT, HEX 0.5-13X5.5 GR5 ZC120

BOM ID	Number	Qty	Description
14	05901637	1	BLT, HEX 0.5-13X1.25 GR5 ZC120
15	05901712	1	BLT, HEX 0.5-13X2.5 GR5 ZC120
16	05901835	1	BLT, HEX 0.5-13X2.25 GR5 ZCC
17	05901906	1	BLT, HEX 0.5-13X4.25 GR5 ZCC
18	06401012	1	WSHR-FL-STL 0.563X1.375X0.109 ZC120
19	06500902	5	NUT, FLG-CTR LK .500-13 GG ZCC
20	06800204	1	PIN, SLIC-.3125X4.015X3.625 -ZCC
21	08300516	1	SPRG, EXTENSION
22	06800203	1	PIN, MAGNETIC .50X2.50
23	06400015	1	WASHER-FLAT-STL, .500 X .750 X .020
24	07400122	1	SCR-TAP .25-20X.50 HWH ZCC
25	09165251	1	BLOCK, HOC SELECTION (BLACK)



# DECK LIFT

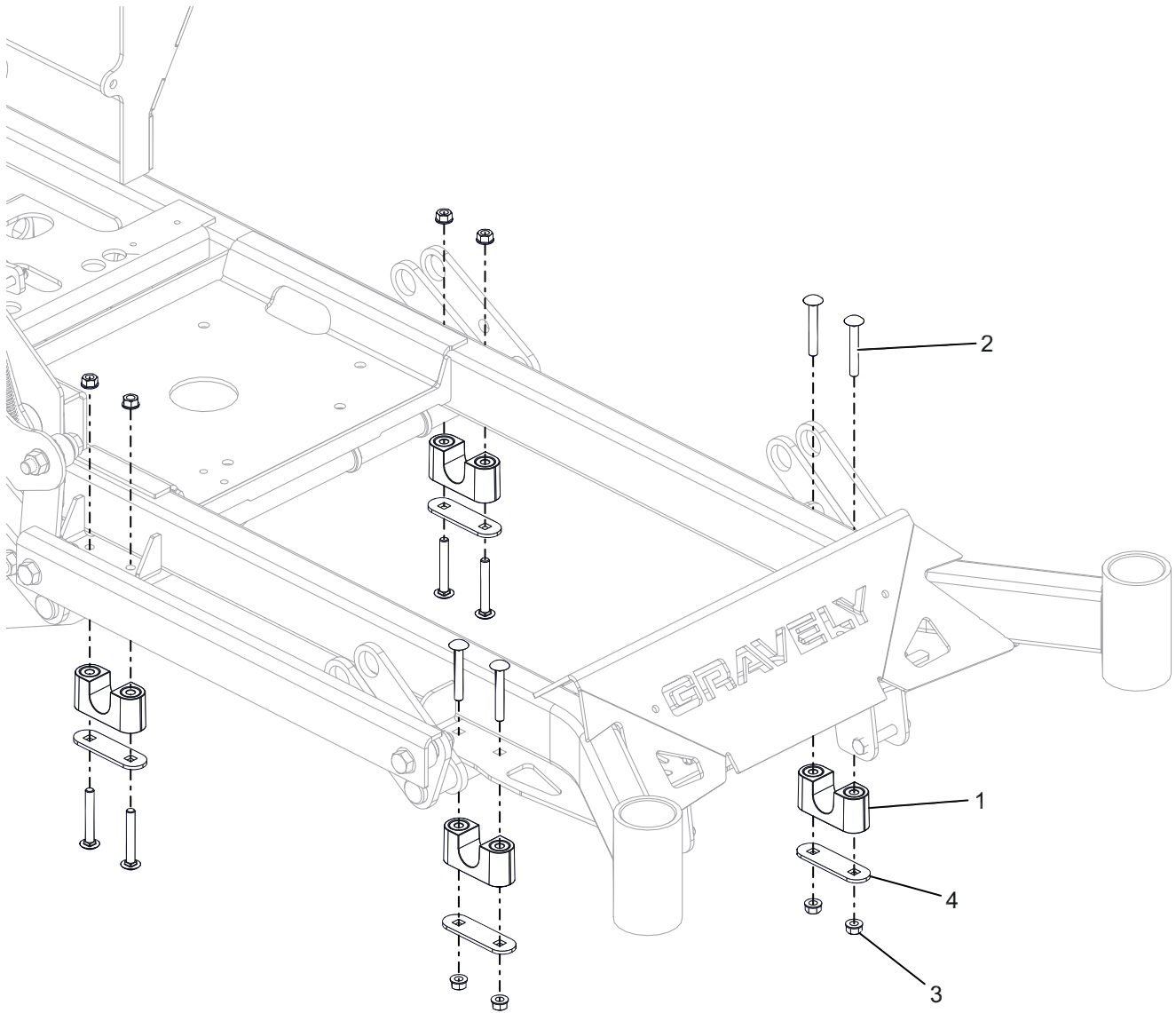
## Model All



BOM ID	Number	Qty	Description
1	05255651	1	WLDMT, 36" PROSTANCE DECK LIFT (BLACK)
2	05245451	1	WLDMT, 36" PROSTANCE DECK LIFT (BLACK)
3	05246851	1	WLDMT, DECK LIFT LINK (BLACK)
4	05400729	2	BRG, .750 X .875 X 1.000
5	05527200	2	BSHG, FLANGE
6	05901835	2	BLT, HEX 0.5-13X2.25 GR5 ZCC
7	06500902	2	NUT, FLG-CTR LK .500-13 GG ZCC

# DECK LIFT MOUNTS

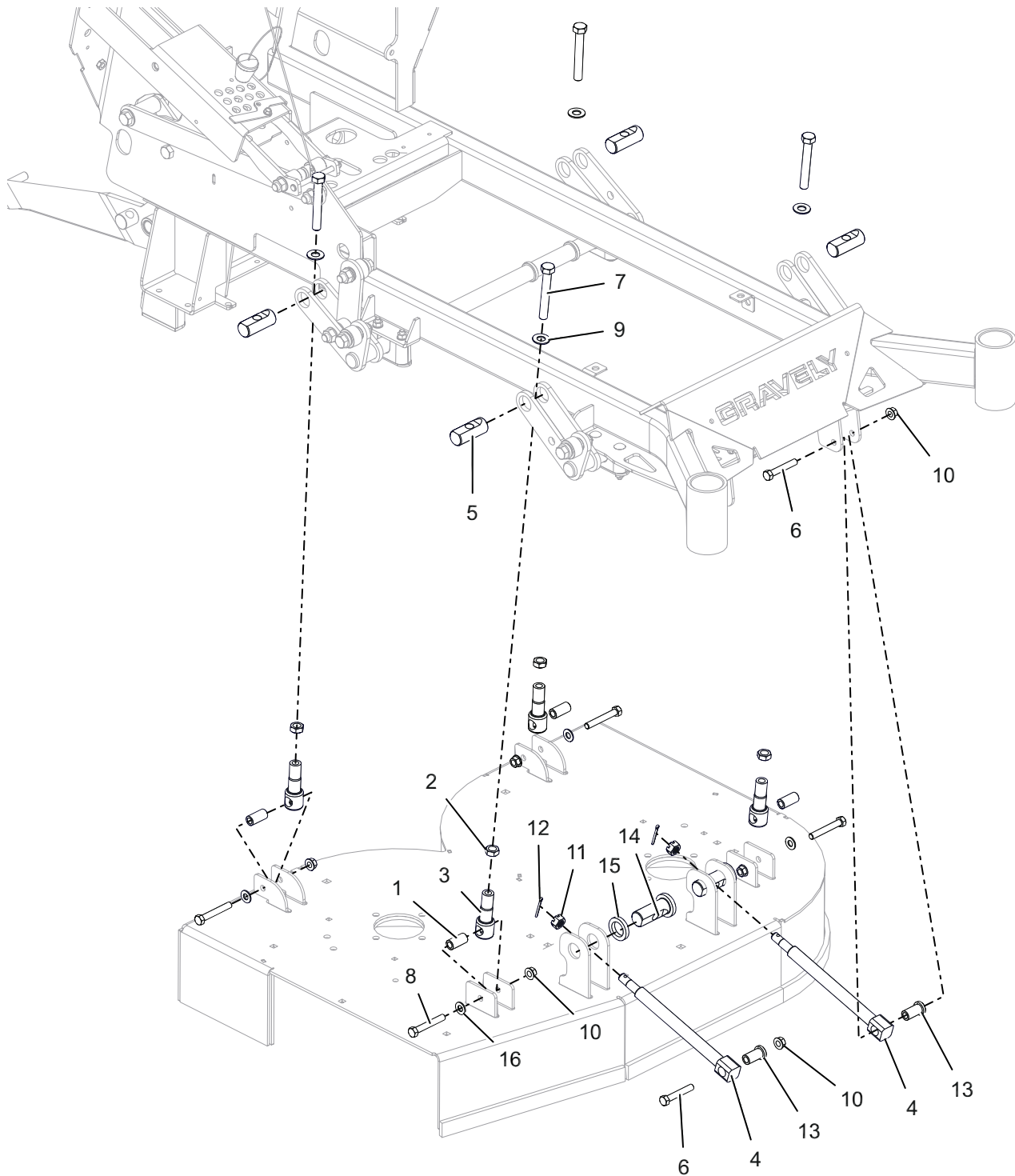
Model All



BOM ID	Number	Qty	Description
1	07500414	4	ASM, BSHG
2	06200311	8	BTL,RHSSN .313-18 X 2.25 G5 ZCC
3	06500840	8	NUT, FLG-CTR LK .312-18 GR5 ZCC
4	04766551	4	PLATE, BEARING SUPPORT

# DECK LIFT LINKAGE

Model All

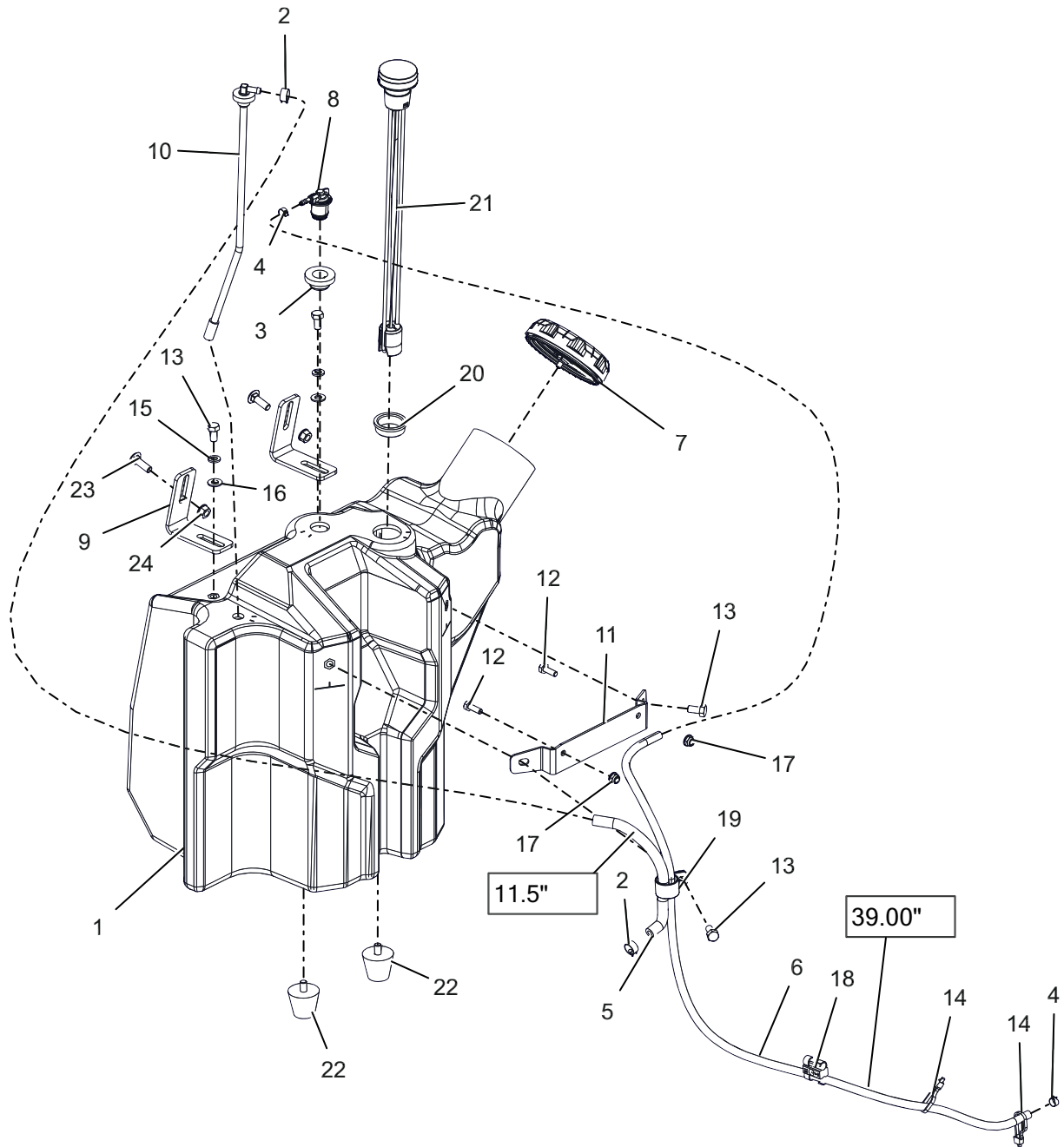


BOM ID	Number	Qty	Description
1	04895200	4	SPCR, DECK LEVELING
2	06500911	4	NUT, JAM .50-13 GR5 ZC120
3	05081400	4	LINK, DECK LIFT, FORMED
4	05126700	2	DRAG, LINK
5	05149500	4	PIN, DECK LIFT
6	05901640	2	BLT, HEX 0.375-16X2.25 GR5 ZC120
7	05901735	4	BLT, HEX 0.5-13X3.5F GR5 ZCC
8	05901811	4	BLT, HEX 0.375-16X2.5 GR8 ZCC
9	06401116	4	WSHR-FL-STL 0.526X1.055X0.074 HRD

BOM ID	Number	Qty	Description
10	06500901	6	NUT, FLG-CTR LK .375-16 GR5 ZC120
11	06505000	2	NUT, -SL .50-13
12	06700212	2	PIN, CTR .12X1.25 EXTPRSQCT ZC120
13	09158400	2	SPCR, DRAG LINK
14	05264200	2	PIN, DECK LIFT
15	06425600	2	WSHR-FL-STL 1.0X1.50X.25
16	06401013	4	WSHR-FL-STL 0.406X0.812X0.065 ZC120

# FUEL SYSTEM

## Model All

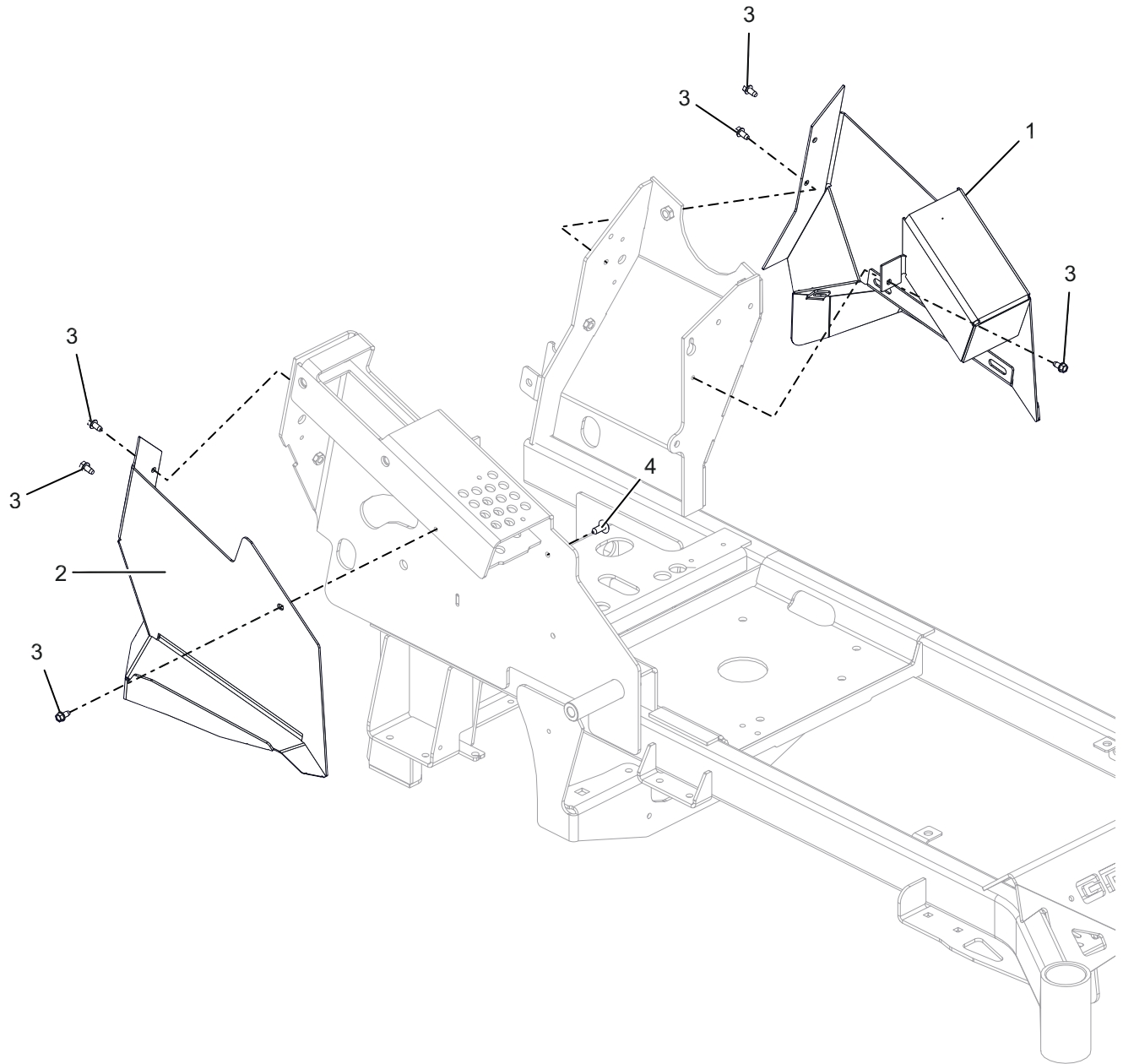


BOM ID	Number	Qty	Description
1	05269100	1	ASM, 32-36" PROSTANCE FUEL TANK
2	03278800	2	CLAMP, FUEL LINE
3	04082700	1	GROMMET, REMOTE VENT NITRILE
4	04097700	2	CLAMP - HOSE, SPRING .188
5	03278100	1	HOSE, .25 LOW PERM FUEL
6	03375900	1	HOSE, .188 LOW-PERM BULK GAS
7	04558000	1	CAP, FUEL VENT-IN AUTOLOCK
8	05185600	1	VALVE, REMOTE 3/16" BARB
9	05192553	2	BRKT, TANK HOLDDOWN (RED)
10	05248300	1	ASM, PROSTANCE FUEL LINE PICK-UP
11	05276951	1	BRKT, OVERFLOW MTG (BLACK)
12	05901716	2	BLT, HEX 0.25-20X0.75 GR5 ZC120
13	05901832	4	BLT, HEX 0.3125-18X0.625 GR5 ZCC

BOM ID	Number	Qty	Description
14	00111910	2	CABLE TIE, .15 X 8.50
15	06300119	2	WSHR,LK-REG 0.314 X 0.078 ZCC
16	06401017	2	WSHR-FL-STL 0.344X0.688X0.065 ZC120
17	06500813	2	NUT, LK-NYL-FLG .25-20 GR5 ZC120
18	07001712	1	CLIP, T, .38-.50
19	06917900	1	CLAMP, CUSHIONED STEEL REV
20	07500221	1	GROMMET, FUEL GAUGE
21	07500311	1	GAUGE, REMOTE FUEL SEALED 15"
22	07500428	2	BUMPER, STUD MOUNTED CONE SHAPED
23	06200231	2	BTL,RHSN .313-18 X 1 G5 ZCC
24	06500840	2	NUT, FLG-CTR LK .312-18 GR5 ZCC

# FENDERS

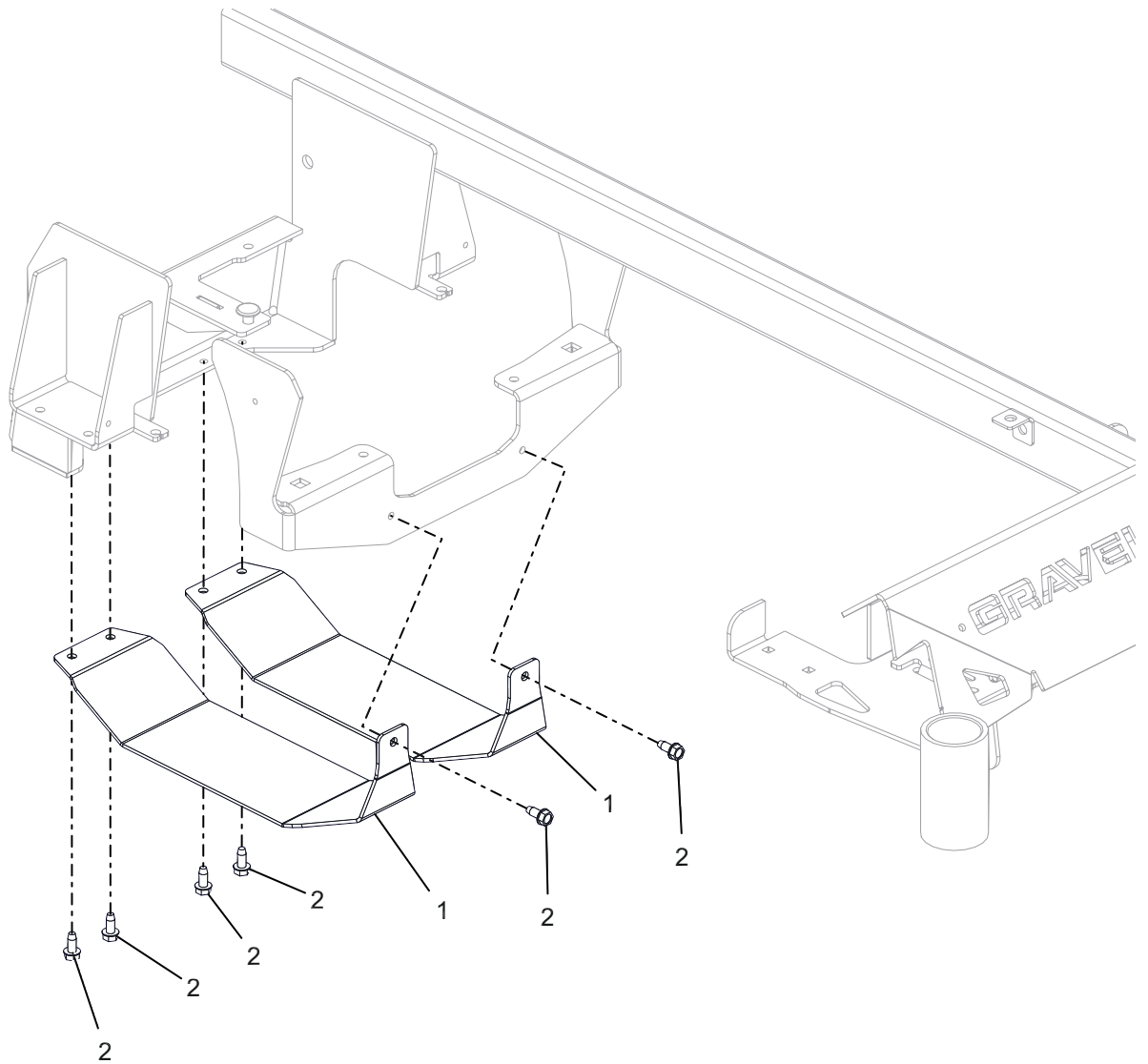
Model All



BOM ID	Number	Qty	Description
1	05265100	1	WLDMT, LH FENDER (BLACK)
2	05265051	1	WLDMT, RH 32-36" FENDER (BLACK)
3	07400122	6	SCR-TAP .25-20X.50 HWH ZCC
4	P80-332-A	1	XMAS TREE FASTNER-BLACK

# TRANSAXLE GUARDS

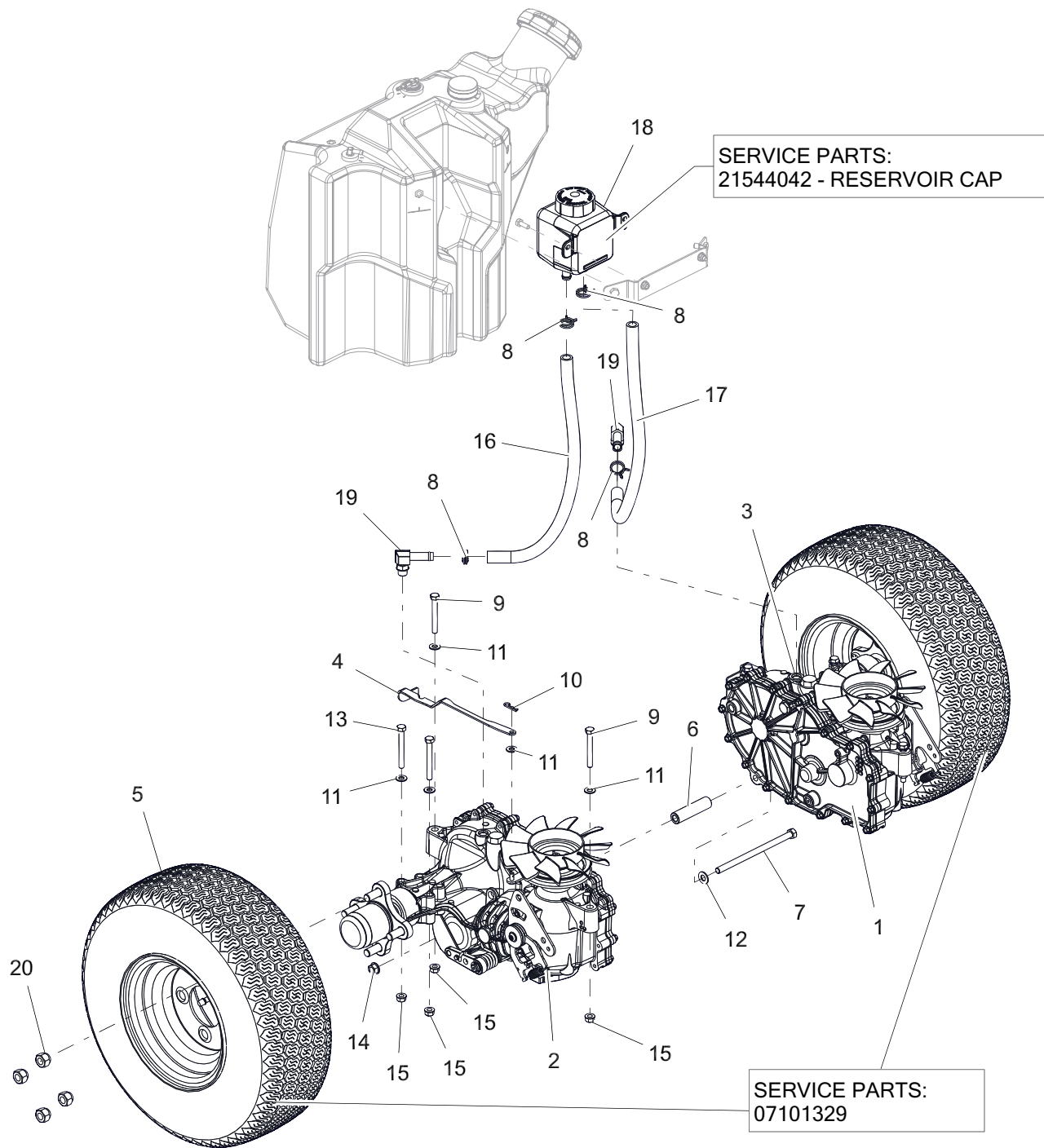
Model All



BOM ID	Number	Qty	Description
1	05252251	2	PLATE, SKID (BLACK)
2	07400127	6	SCR-TAP .312-18X.75 HWH ZCC

# REAR TIRES AND TRANSAXLES – 32"

Model 994157



SERVICE PARTS:  
21544042 - RESERVOIR CAP

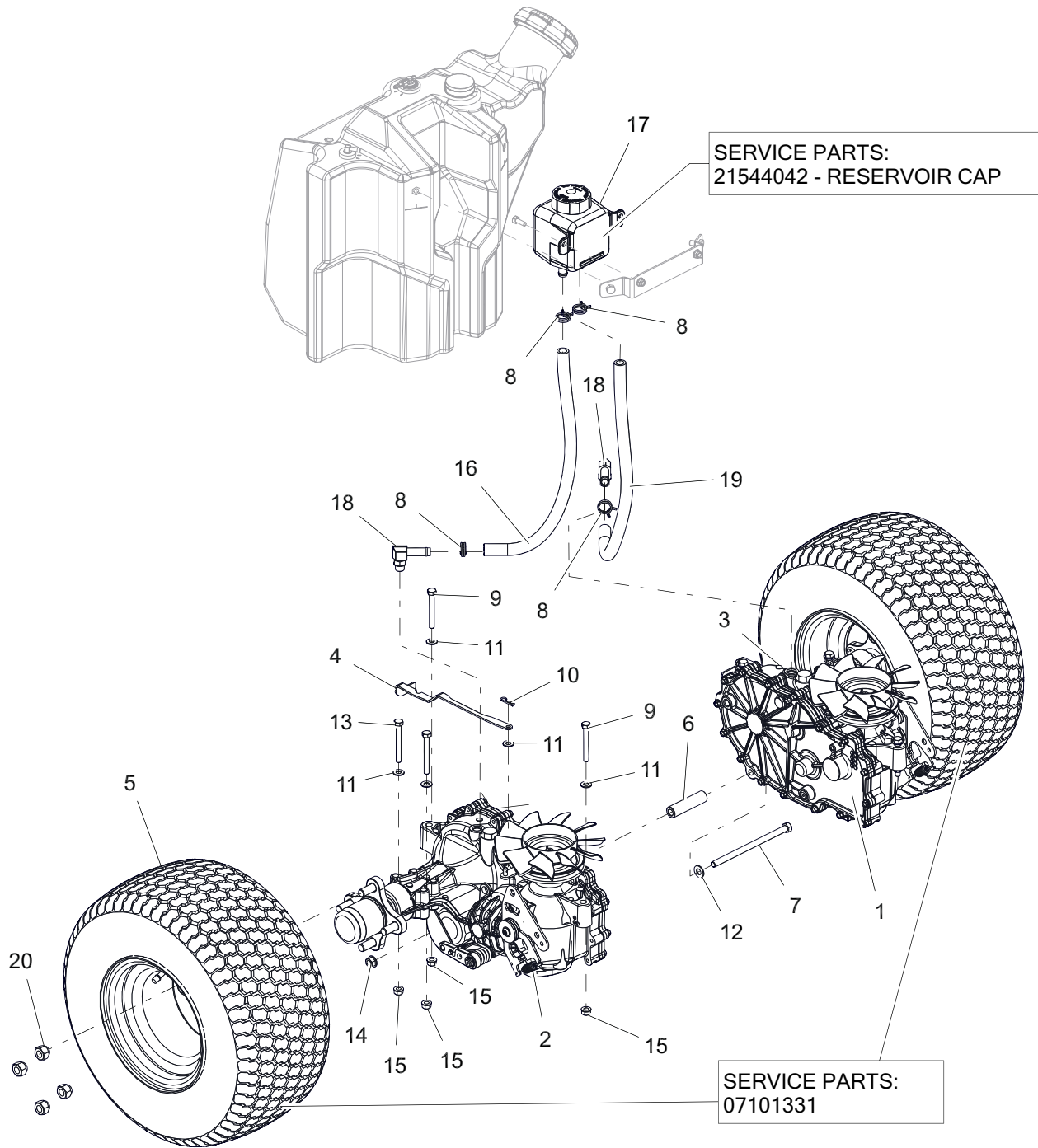
SERVICE PARTS:  
07101329

BOM ID	Number	Qty	Description
1	09159700	1	TRANSAXLE, LH ZT3100
2	09159800	1	TRANSAXLE, RH ZT3100
3	05192951	1	LEVER, LH TRANSAXLE DUMP VALVE (BLACK)
4	05193051	1	LEVER, RH TRANSAXLE DUMP VALVE (BLACK)
5	07101322	2	ASSM TIREWHEEL, 18 X 6.50 - R8
6	04672400	1	SHAFT, CROSS BRACE
7	05902029	1	BLT, HEX 0.375-16X6.5 GR5 ZCC
8	06900634	4	HOSE, CLAMP DBW 12MM
9	05901912	4	BLT, HEX 0.3125-18X2.5 GR5 ZCC
10	06700222	2	PIN, HAIR #213 .08X1.19 ZCC
11	06401017	10	WSHR-FL-STL 0.344X0.688X0.065 ZC120

BOM ID	Number	Qty	Description
12	06401013	1	WSHR-FL-STL 0.406X0.812X0.065 ZC120
13	05901807	4	BLT, HEX 0.3125-18X2.75 GR5 ZCC
14	06500901	1	NUT, FLG-CTR LK .375-16 GR5 ZC120
15	06500840	8	NUT, FLG-CTR LK .312-18 GR5 ZCC
16	09369700	1	HOSE, OVERFLOW 19"
17	09369800	1	HOSE, OVERFLOW 20"
18	04894600	1	TANK, HYDRO OVERFLOW 700ML
19	07001528	2	FITTING, HYD (90 DEG)
20	06500926	8	NUT, WHEEL .500-20 ZCC

# REAR TIRES AND TRANSAXLES – 36"

Model 994149



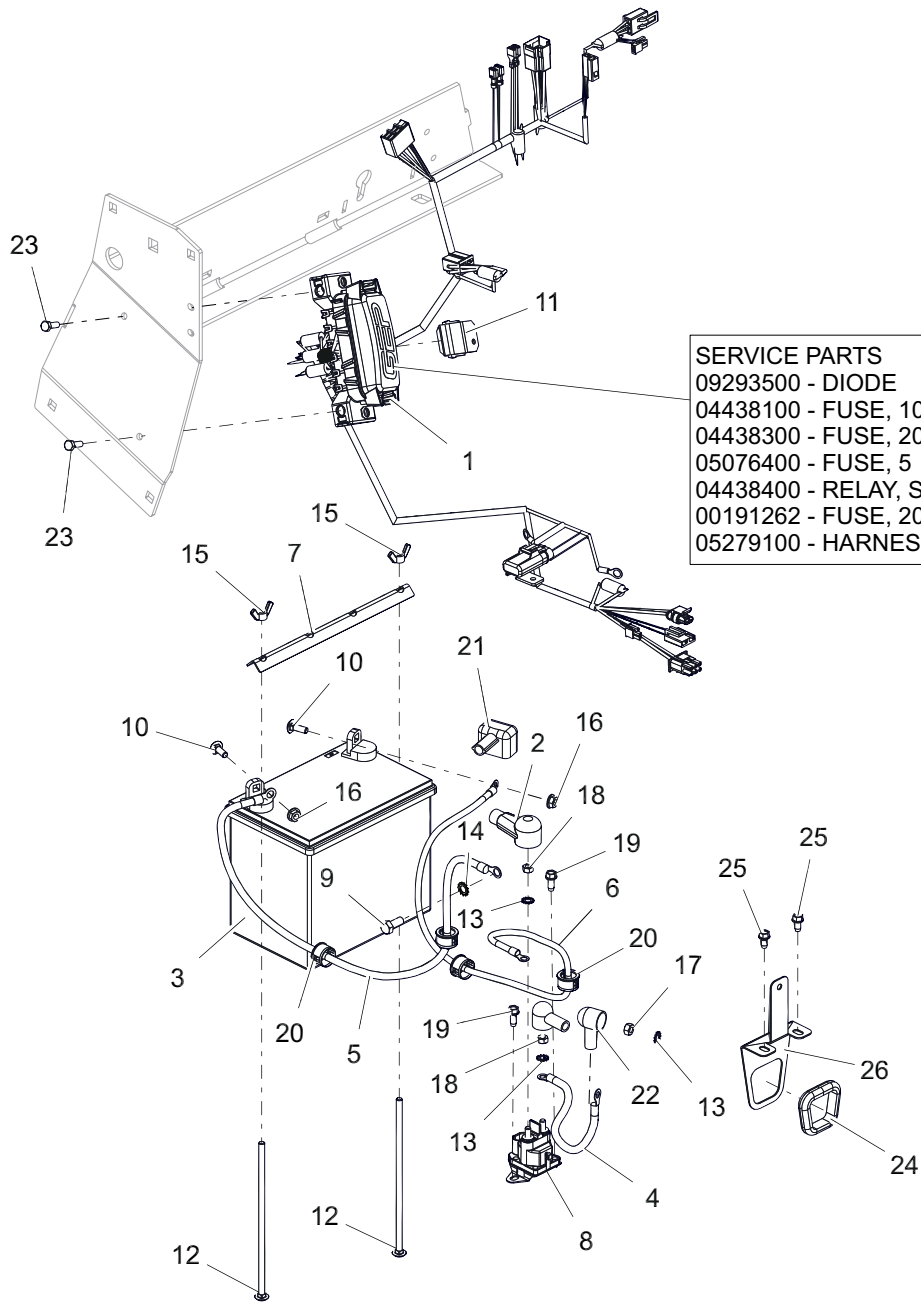
BOM ID	Number	Qty	Description
1	09159700	1	TRANSAXLE, LH ZT3100
2	09159800	1	TRANSAXLE, RH ZT3100
3	05192951	1	LEVER, LH TRANSAXLE DUMP VALVE (BLACK)
4	05193051	1	LEVER, RH TRANSAXLE DUMP VALVE (BLACK)
5	07101330	2	ASSM TIREWHEEL, 18 X 8.50 - R8
6	04672400	1	SHAFT, CROSS BRACE
7	05902029	1	BLT, HEX 0.375-16X6.5 GR5 ZCC
8	06900634	4	HOSE, CLAMP DBW 12MM
9	05901912	4	BLT, HEX 0.3125-18X2.5 GR5 ZCC
10	06700222	2	PIN, HAIR #213 .08X1.19 ZCC
11	06401017	10	WSHR-FL-STL 0.344X0.688X0.065 ZC120

BOM ID	Number	Qty	Description
12	06401013	1	WSHR-FL-STL 0.406X0.812X0.065 ZC120
13	05901807	4	BLT, HEX 0.3125-18X2.75 GR5 ZCC
14	06500901	1	NUT, FLG-CTR LK .375-16 GR5 ZC120
15	06500840	8	NUT, FLG-CTR LK .312-18 GR5 ZCC
16	09369700	1	HOSE, OVERFLOW 19"
17	04894600	1	TANK, HYDRO OVERFLOW 700ML
18	07001528	2	FITTING, HYD (90 DEG)
19	09369800	1	HOSE, OVERFLOW 20"
20	06500926	8	NUT, WHEEL .500-20 ZCC



# ELECTRICAL

## Model All



**SERVICE PARTS**  
 09293500 - DIODE  
 04438100 - FUSE, 10 AMP MINI ATC  
 04438300 - FUSE, 20 AMP MINI ATC  
 05076400 - FUSE, 5 AMP MINI ATC  
 04438400 - RELAY, SPDT, SEALED, ISO 208, 310 SERIES  
 00191262 - FUSE, 20AMP BLADE S/O  
 05279100 - HARNESS, CLUTCH BREAKAWAY

BOM ID	Number	Qty	Description
1	05189700	1	HARNESS, WIRE PROSTANCE 2019
2	00525800	1	BOOT, BATTERY TERMINAL-RED
3	01554800	1	BATTERY, 300 CCA 10U1L
4	03286000	1	CABLE, POSITIVE BATTERY 9.00"
5	03288100	1	CABLE, NEGATIVE BATTERY 24"
6	03288400	1	CABLE, POS BATTERY 26.00"
7	03494051	1	HOLD DOWN - BLK
8	04781700	1	SOLENOID, STARTER (SEALED)
9	05901628	1	BLT,HEX M8-1.25X20 G8.8 ZC120
10	06200307	2	BTL,RHSN .250-20 X 0.75 G5 ZCC
11	09044200	1	MODULE,INTERLOCK,DELAY, 1805
12	06200424	2	BTL,RHSN .250-20 X 7.5 G5 ZCC
13	06300118	3	WSHR-LK-EXT 0.262X0.502X0.026 ZC120
14	06300125	1	WSHR-LK-EXT 0.326X0.599X0.031 ZCC

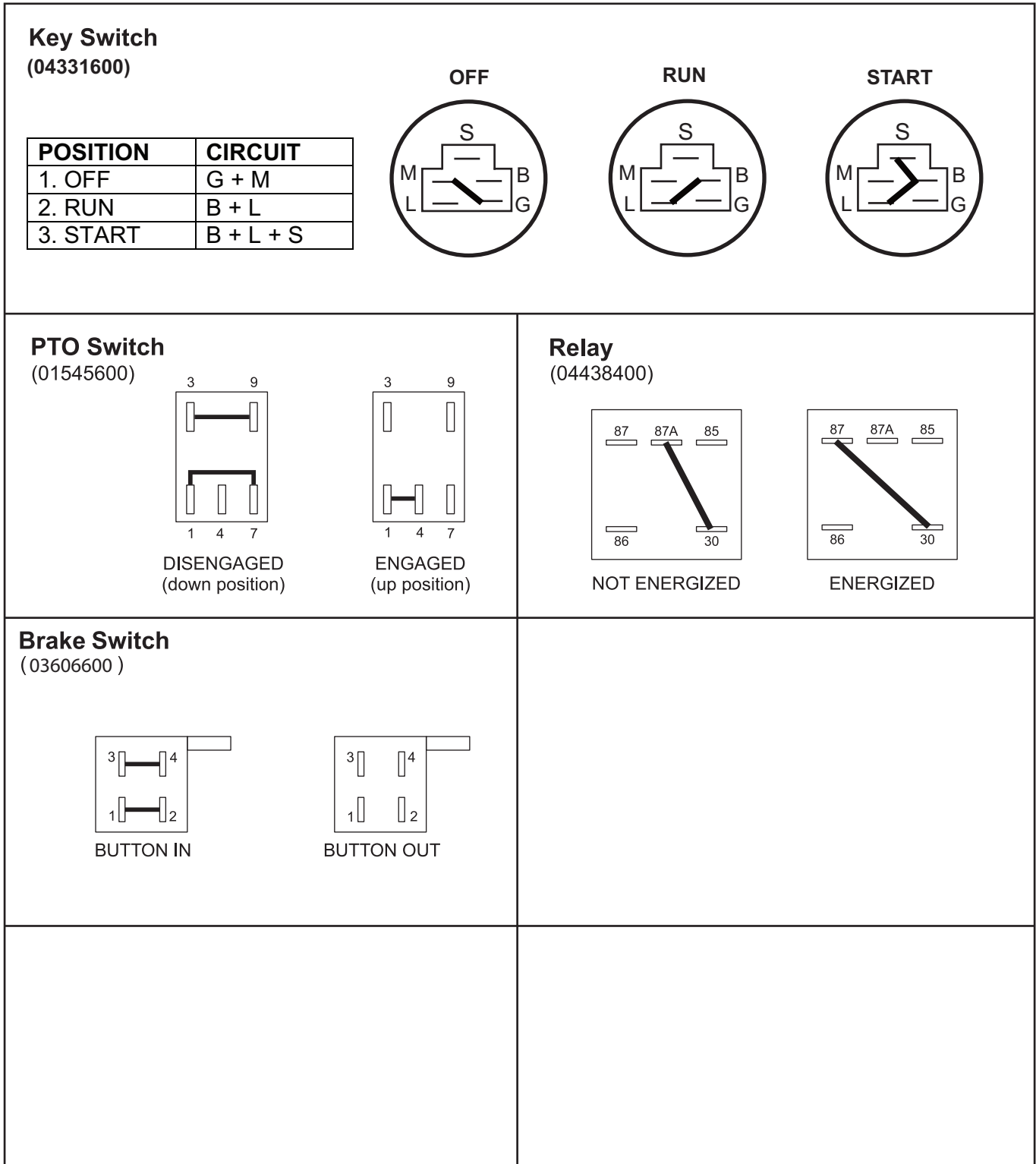
BOM ID	Number	Qty	Description
15	06500805	2	NUT, WING .250-20 LOCKING
16	06500824	2	NUT, FLG-SPNLK .250-20 GR5 ZC120
17	06500916	1	NUT, HEX .250-20 GR5 ZCC
18	06500925	2	NUT, HEX M6-1.0 GR8.8 ZC120
19	07400135	2	SCR-TAP .25-20X.625 HWH ZCC
20	07500126	4	BUSH, PANEL SNAP .687X.875X.56
21	07505700	1	INSULATOR
22	07533200	2	BOOT, EYELET TERMINAL
23	05901610	2	BLT,HEX M6-1X20 G8.8 ZC120
24	07500017	1	GROMMET, 1.70 ID X 2.0 OD
25	07400122	2	SCR-TAP .25-20X.50 HWH ZCC
26	30152253	1	GUARD, CLUTCH HARNESS ROUTING

# CONTINUITY DIAGRAM

## Model All

The diagrams below show the various states of connection for electrical components.  
The solid lines on switches show continuity.

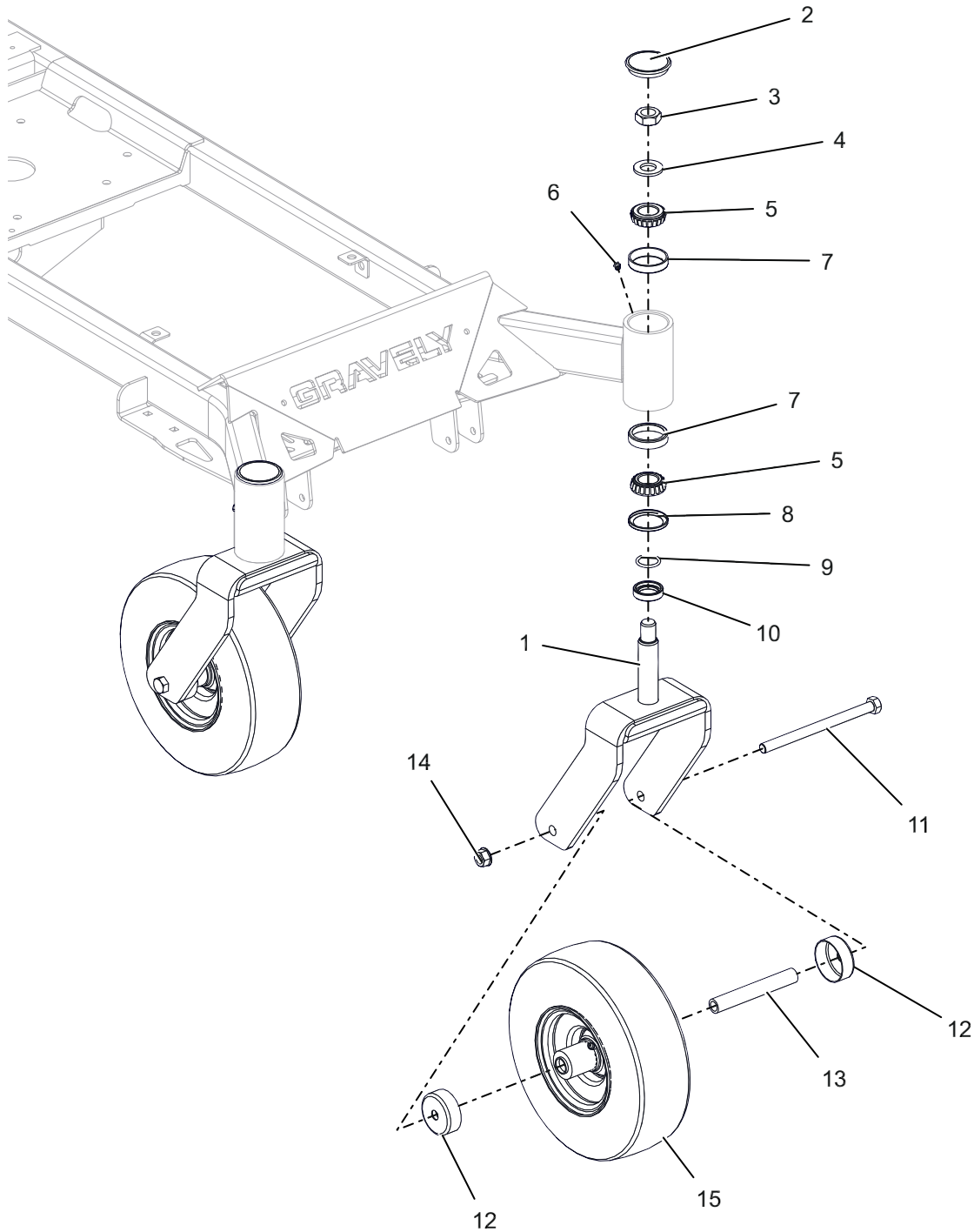
**NOTE:** All switches are viewed from the rear.





# FRONT CASTERS

Model All

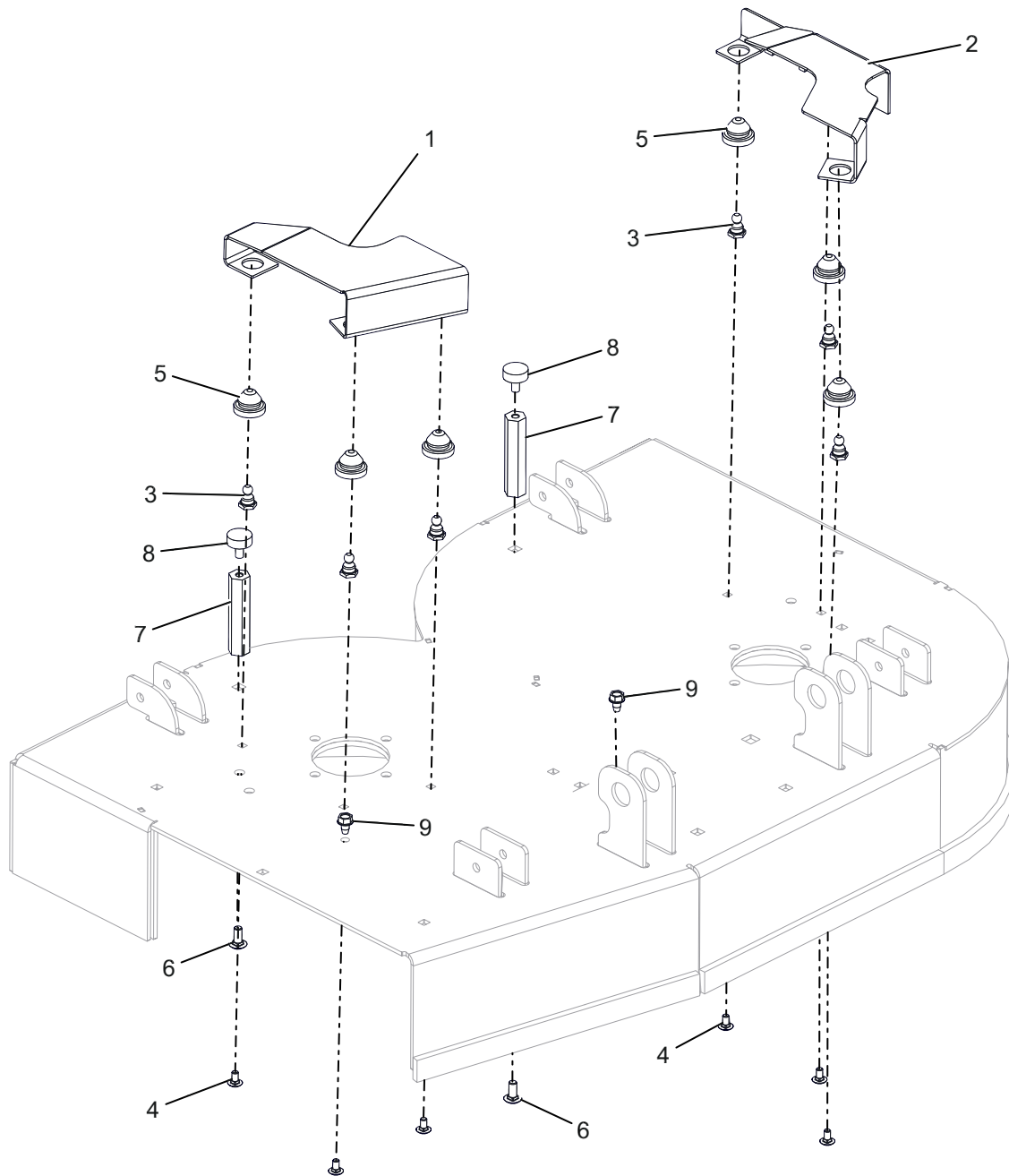


BOM ID	Number	Qty	Description
1	05257000	2	WLDMT, CASTER FORK
2	00456800	2	CAP, DUST
3	06500933	2	NUT, JAM-TOPLOCK .750-16 ZCC
4	06401140	2	WSHR-FL-STL 0.812X1.469X0.134 ZCC
5	05406900	4	BRG, CONE 1.000 X .580
6	07001727	2	FITTING, .250-28 FLUSH MOUNT GREASE
7	05407000	4	BRG, CUP 1.980 X .420
8	00531400	2	BEARING SEAL 1.5 X 2.0 X .18

BOM ID	Number	Qty	Description
9	05610000	2	O-RING 1.000 X 1.250
10	04720200	2	SPCR, CASTER FORK (1.00)
11	05901917	2	BLT, HEX 0.5-13X7 GR5 ZCC
12	09357800	4	SHIELD, WHEEL BEARING
13	00278500	2	SPCR, ROLLED WHEEL
14	06500902	2	NUT, FLG-CTR LK .500-13 GG ZCC
15	07101233	2	TIRE/WHEEL, 11 X 4-5

# BELT COVERS

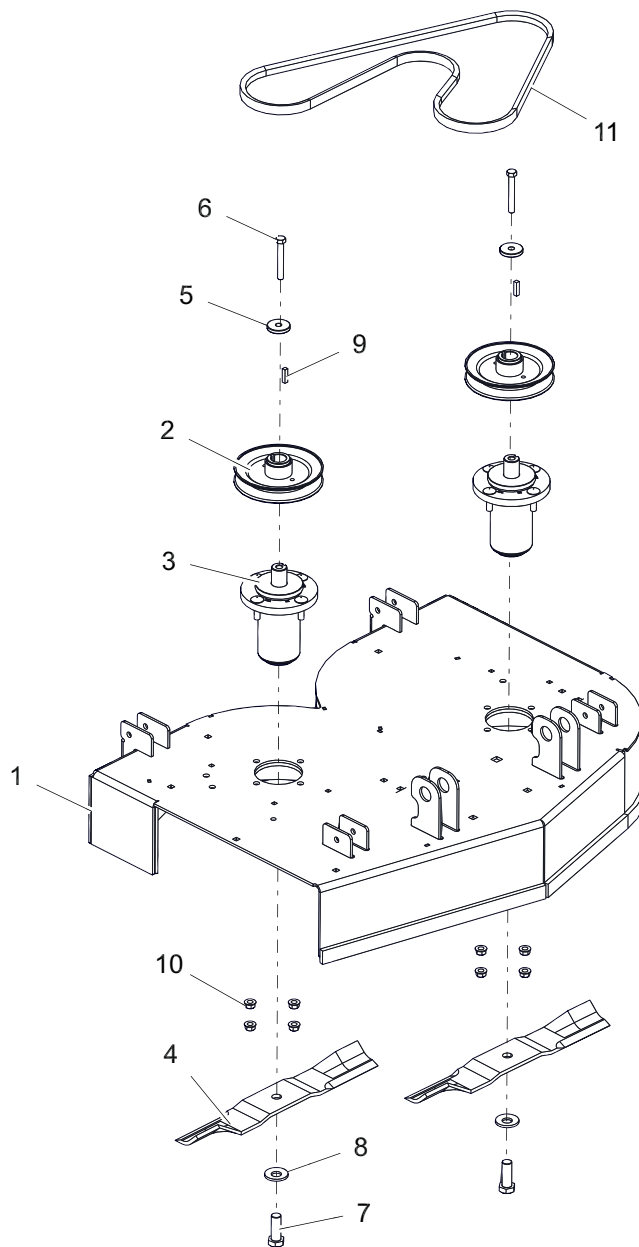
Model All



BOM ID	Number	Qty	Description
1	05282053	1	GUARD, RH DECK BELT (RED)
2	05282153	1	GUARD, LH DECK BELT (RED)
3	05275900	6	STUD, BALL FEMALE .250-20 THREAD
4	06200305	6	BTL,RHSSN .250-20 X 0.5 G5 ZCC
5	07500429	6	COUPLING, RUBBER PUSH-IN
6	06200309	2	BTL,RHSSN .313-18 X 0.75 G5 ZCC
7	07001831	2	NUT, .31-18 x 3.500 LG COUPLING
8	07533600	2	BUMPER, RUBBER
9	07400124	2	SCR-TAP .312-18X.50 HWH ZCC

# DECK, BELT, BLADES AND SPINDLES – 32"

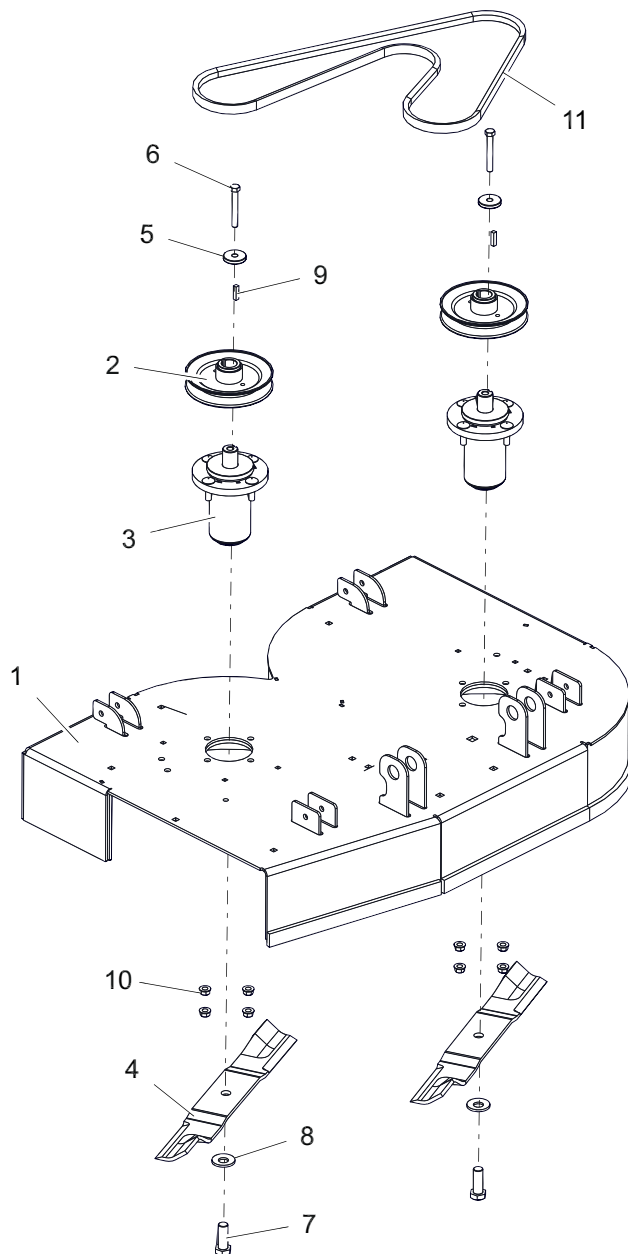
Model 994157



BOM ID	Number	Qty	Description
1	05269553	1	WLDMT, 32" PRO STANCE DECK (RED)
2	07329300	2	PULLEY, V - 1.000 ID X 5.750 OD
3	58810800	2	ASM, ALUM SPINDLE
4	00450200	2	BLADE, 16.19" MOWER (HI-LIFT)
5	04530500	2	RETAINER, SHEAVE SPINDLE
6	05901813	2	BLT, HEX 0.375-16X2.75 GR8 ZCC
7	05901822	2	BLT, HEX 0.625-18X1.75 GR8 ZCC
8	06445700	2	WSHR, BLVL-.63X1.625X.14
9	06611200	2	KEY-SQ .250X.250X1.00 RC 40-50
10	06500901	8	NUT, FLG-CTR LK .375-16 GR5 ZC120
11	07200833	1	V-BELT, 5L RAW EDGE EPDM

# DECK, BELT, BLADES AND SPINDLES – 36"

Model 994149



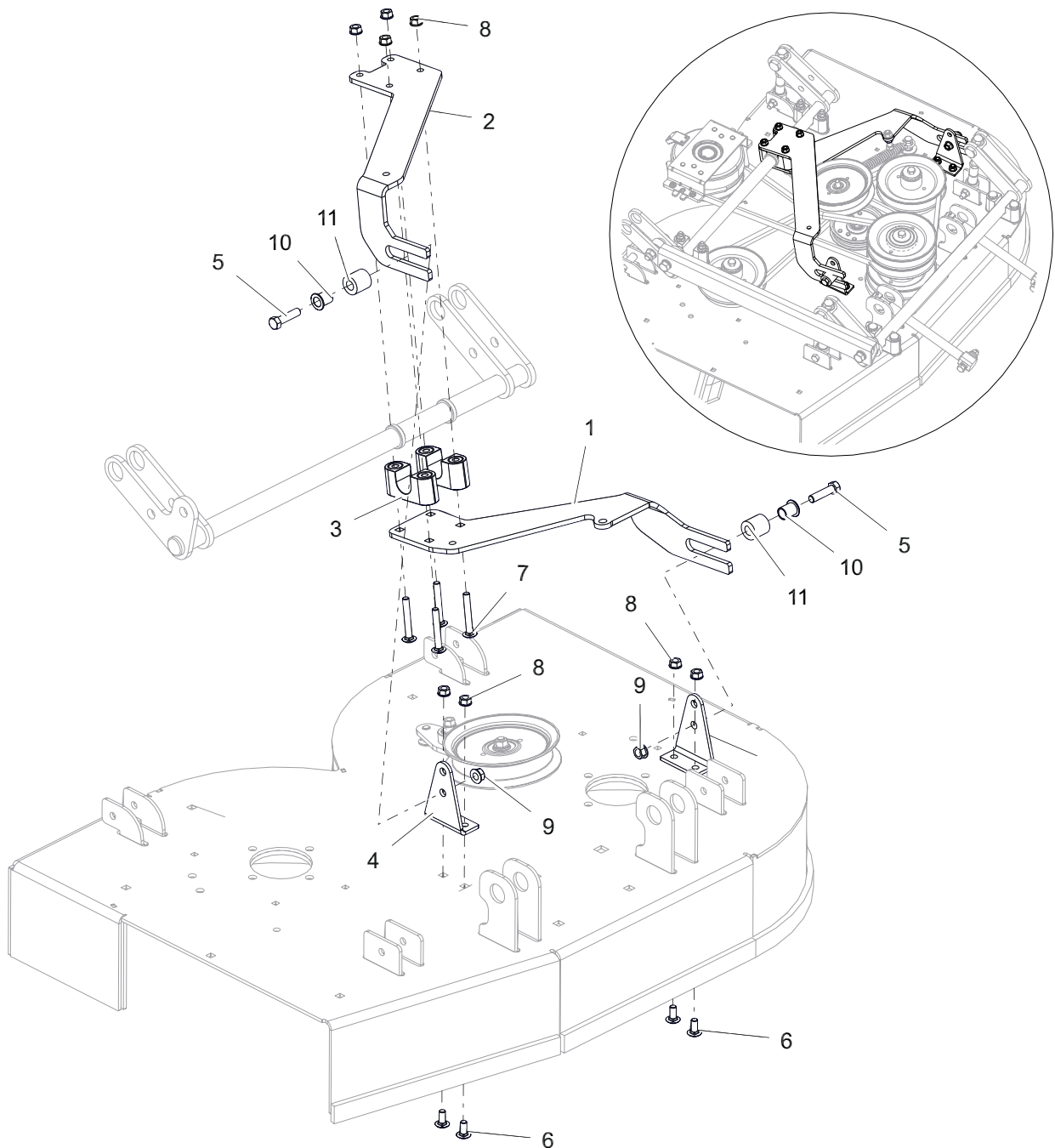
BOM ID	Number	Qty	Description
1	05269653	1	WLDMT, 36" PRO STANCE DECK (RED)
2	07329300	2	PULLEY, V - 1.000 ID X 5.750 OD
3	58810800	2	ASM, ALUM SPINDLE
4	00450300	2	BLADE, MOWER - 18.00" (HI-LIFT)
5	04530500	2	RETAINER, SHEAVE SPINDLE
6	05901813	2	BLT, HEX 0.375-16X2.75 GR8 ZCC
7	05901822	2	BLT, HEX 0.625-18X1.75 GR8 ZCC
8	06445700	2	WSHR, BLVL-.63X1.625X.14
9	06611200	2	KEY-SQ .250X.250X1.00 RC 40-50
10	06500901	8	NUT, FLG-CTR LK .375-16 GR5 ZC120
11	07200832	1	V-BELT, 5L RAW EDGE EPDM





# PIVOTING IDLER

Model All

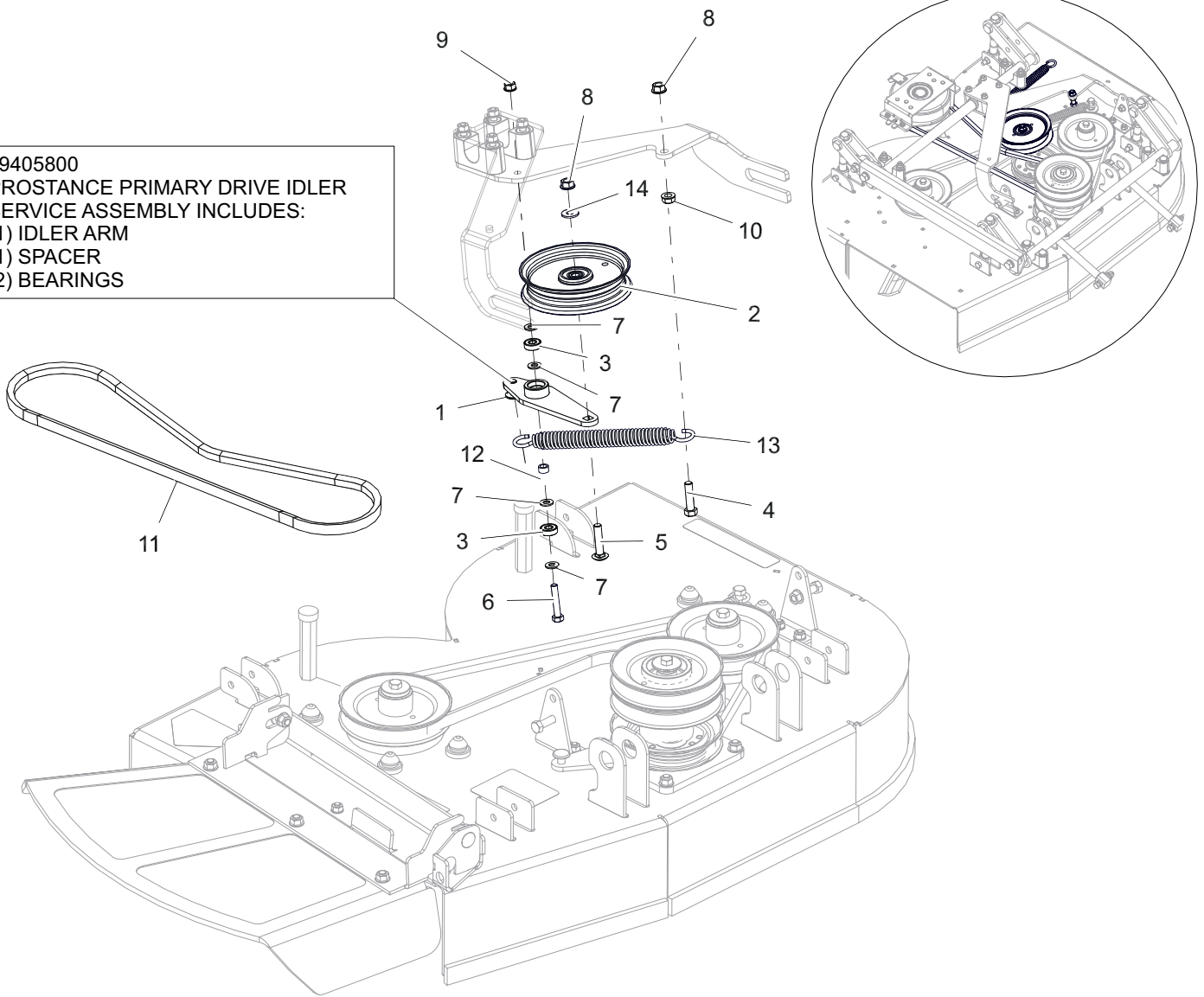


BOM ID	Number	Qty	Description
1	05266651	1	BRKT, PIVOTING IDLER (BLACK)
2	05266751	1	BRKT, UPPER PIVOTING IDLER (BLACK)
3	07500414	2	ASM, BSHG
4	05266951	2	BRKT, IDLER PIVOT (BLACK)
5	05901928	2	BLT, HEX 0.375-16X1.5 GR5 ZCC
6	06200309	4	BTL,RHSSN .313-18 X 0.75 G5 ZCC
7	06200311	4	BTL,RHSSN .313-18 X 2.25 G5 ZCC
8	06500840	8	NUT, FLG-CTR LK .312-18 GR5 ZCC
9	06500901	2	NUT, FLG-CTR LK .375-16 GR5 ZC120
10	05501419	2	BSHG, FLANGE - .500X.625X.750X.062
11	05501418	2	SPCR, SLV .385 X .500 X .750

# PIVOTING IDLER (CONTINUED)

Model All

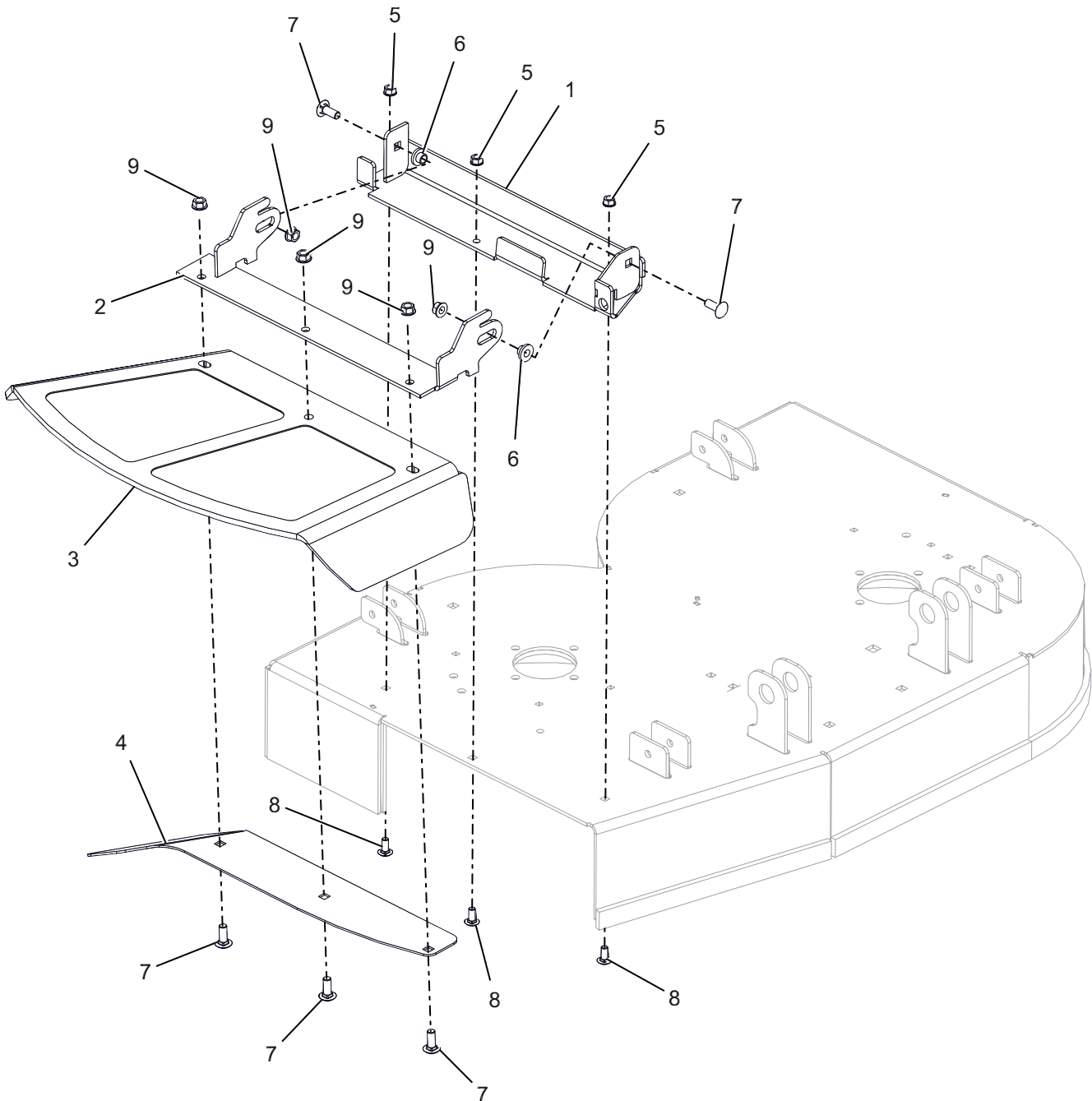
59405800  
 PROSTANCE PRIMARY DRIVE IDLER  
 SERVICE ASSEMBLY INCLUDES:  
 (1) IDLER ARM  
 (1) SPACER  
 (2) BEARINGS



BOM ID	Number	Qty	Description
1	05266800	1	WLDMT, IDLER ARM
2	07351200	1	IDLER, FLAT - .500 X .75
3	05400719	2	BRG-BALL .315X.866X.276 (608)
4	05901928	1	BLT, HEX 0.375-16X1.5 GR5 ZCC
5	06200329	1	BTL,RHSSN .375-16 X 1.75 G5 ZCC
6	05901804	1	BLT, HEX 0.3125-18X1.75 GR5 ZCC
7	06401113	4	WSHR, HRDN 0.344X0.688X0.065
8	06500901	2	NUT, FLG-CTR LK .375-16 GR5 ZC120
9	06500840	1	NUT, FLG-CTR LK .312-18 GR5 ZCC
10	06500735	1	NUT, FLG-SPNLK .375-16 GR5 ZC120
11	07200831	1	V-BELT, 5L RAW EDGE EPDM
12	05501408	1	SPACER, .329/.334 X .500/.505 X .283
13	08300728	1	SPRG, EXTENSION - SWIVEL
14	06401023	1	WSHR-FL-STL 0.375X0.875X0.083 ZC120

# DISCHARGE CHUTE

Model All



BOM ID	Number	Qty	Description
1	05279753	1	WLDMT, DISCHARGE CHUTE (RED)
2	05288753	1	WLDMT, 36" CHUTE MTG BRKT (RED)
3	04881200	1	CHUTE, 48-60" FORMED RUBBER DISCHARGE
4	09162451	1	PLATE, 32-36" DISCH CHUTE CLAMP (BLACK)
5	06500840	3	NUT, FLG-CTR LK .312-18 GR5 ZCC
6	05500435	2	BSHG, FLG .385 X .500 X .875 X .406
7	06200235	5	BTL,RHSSN .375-16 X 1 G5 ZCC
8	06200309	3	BTL,RHSSN .313-18 X 0.75 G5 ZCC
9	06500901	5	NUT, FLG-CTR LK .375-16 GR5 ZC120



655 West Ryan Street  
Brillion, WI 54110

[gravely.com](http://gravely.com)



ARIENS|CO