



Pro-Turn 100

Parts Manual

Models:

991128 – Pro-Turn 148
(SN 094000 +)

991129 – Pro-Turn 152
(SN 094000 +)

991130 – Pro-Turn 160
(SN 094000 +)

991132 – Pro-Turn 152
(SN 094000 +)

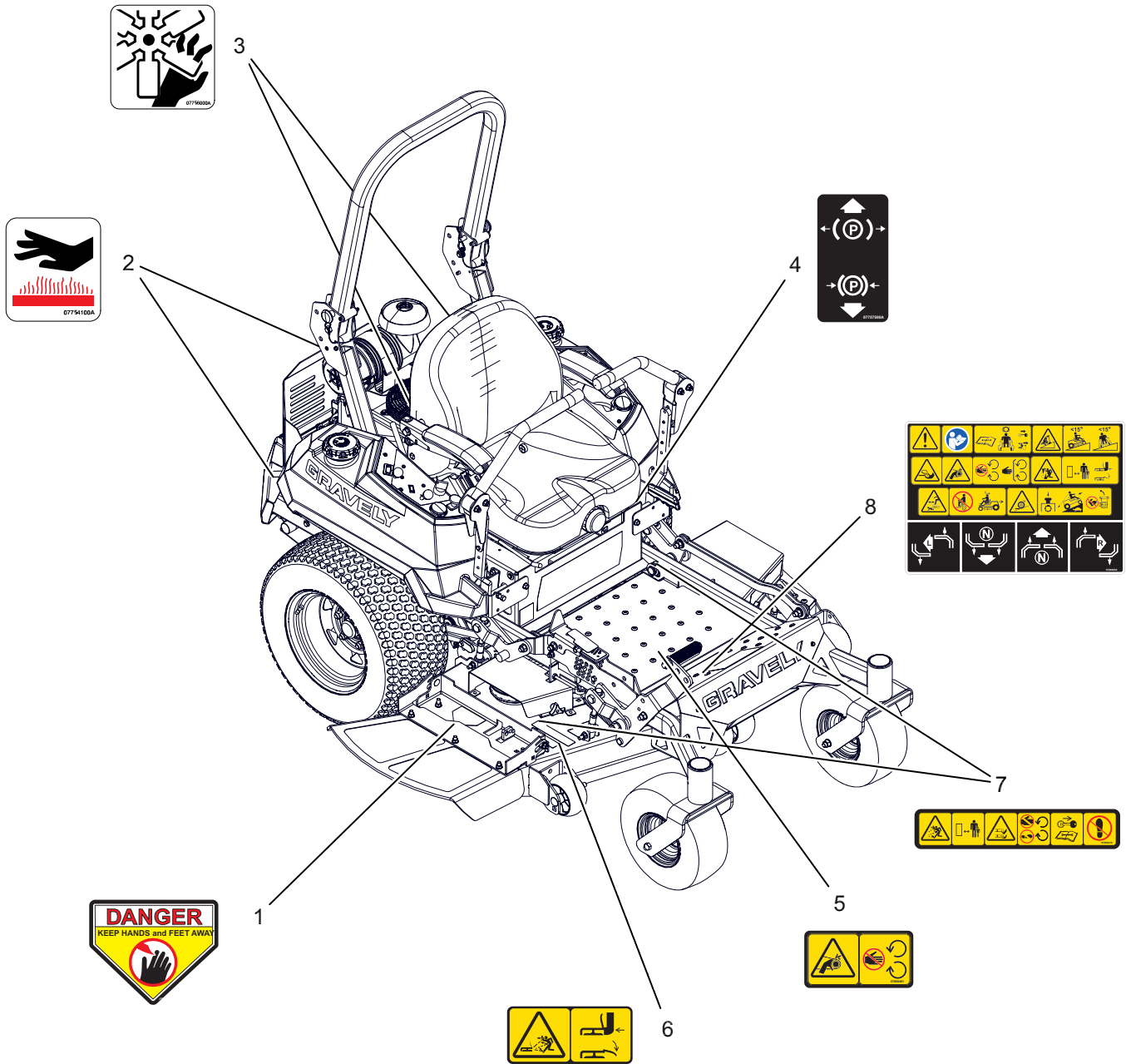
991133 – Pro-Turn 160
(SN 094000 +)

TABLE OF CONTENTS

Decals – Safety	3	Drive Controls	23
Decals – Style – 48"	4	Electrical.....	24
Decals – Style – 52"	5	Continuity Diagram.....	25
Decals – Style – 60"	6	Wiring Diagram	26
Main Frame – 48" and 52"	7	Control Panel – Kawasaki	27
Main Frame – 60"	8	Control Panel – Kohler	28
Rear Bumper	9	Mechanical Deck Lift – Left Hand	29
ROPS	10	Mechanical Deck Lift – Right Hand	30
Seat Assembly.....	11	Deck Mount.....	31
Tire Assembly.....	12	Deck, Belts, Baffle, Blades and Spindles – 48".....	32
Fuel System – Kawasaki	13	Deck, Belts, Baffle, Blades and Spindles – 52".....	33
Fuel System – Kohler	14	Deck, Belts, Baffle, Blades and Spindles – 60".....	34
Transaxle Drive	15	Deck Idlers – 48 & 52"	35
Transaxles	16	Deck Idlers – 60"	36
Engine – Kawasaki FX691	17	Anti-Scalp Wheels – 48"	37
Engine – Kawasaki FX730	18	Anti-Scalp Wheels – 52"	38
Engine – Kohler Confidant ZT730	19	Anti-Scalp Wheels – 60"	39
Engine – Kohler Confidant ZT740	20	Guards	40
Clutch	21	Discharge Chute	41
Parking Brake	22		

DECALS – SAFETY

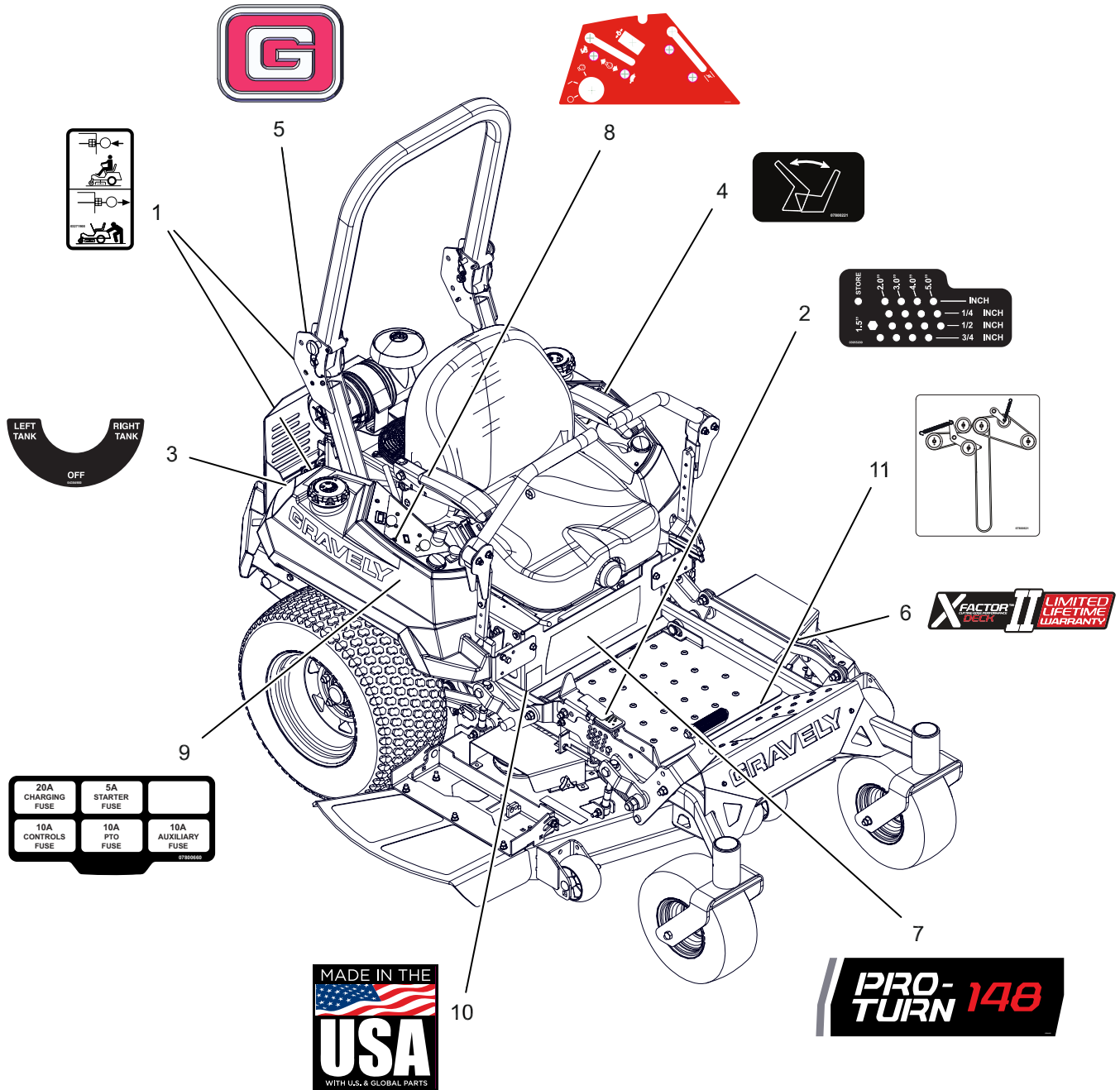
Model All



BOM ID	Number	Qty	Description
1	02988100	1	DECAL, DANGER
2	07754100	2	DECAL, HOT SURFACE
3	07756000	2	DECAL, DANGER - FAN
4	07757500	1	DECAL, PARKING BRAKE LEVER
5	07800401	1	DECAL, SAFETY - GUARDING
6	07800402	1	DECAL, SAFETY - DECK GUARDING
7	07800410	2	DECAL, DECK SAFETY
8	07800654	1	DECAL, INSTRUCTION SAFETY

DECALS – STYLE – 48"

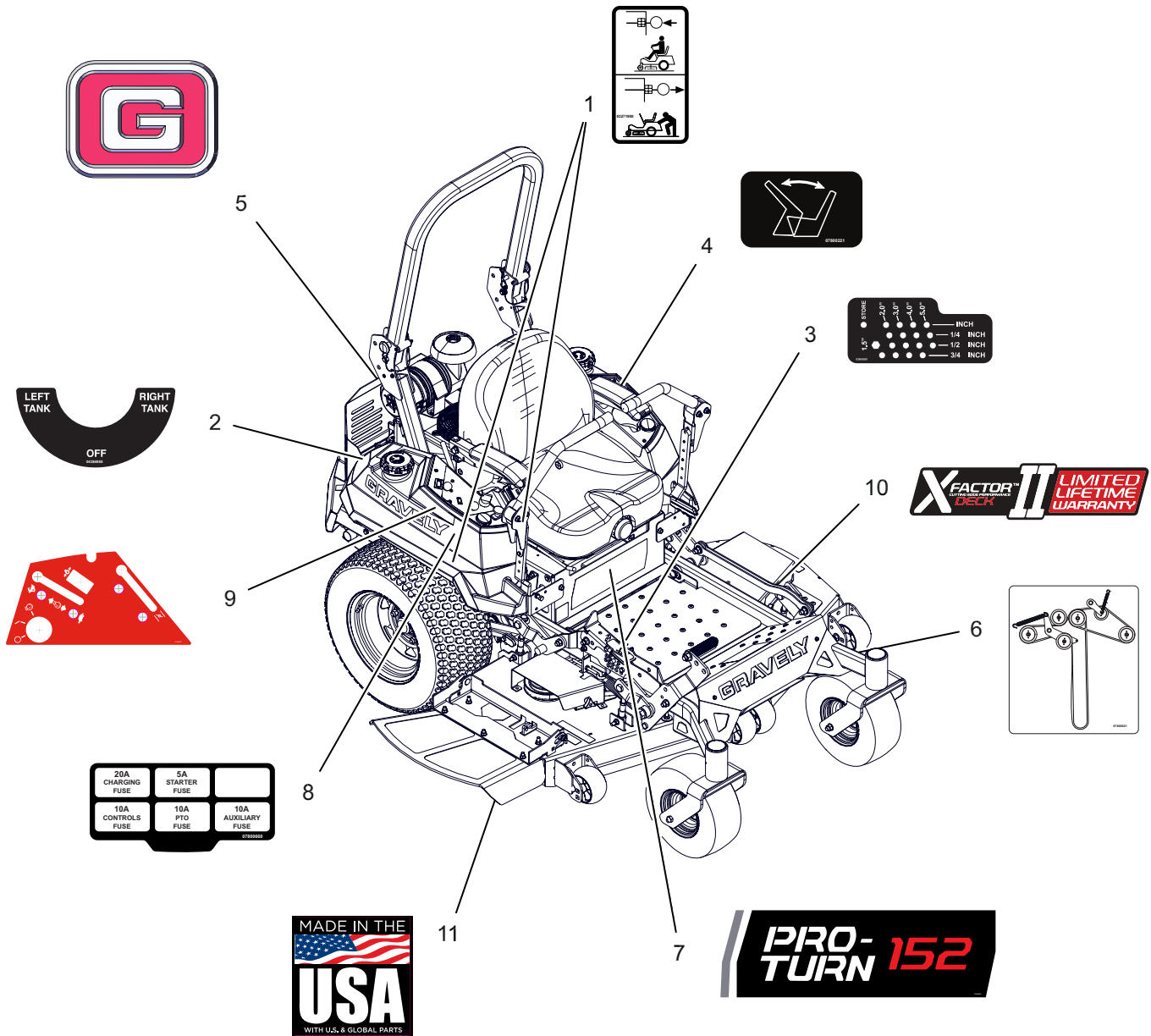
Model 991128



BOM ID	Number	Qty	Description
1	03271900	2	DECAL, TRANSMISSION DISCONNECT
2	03955200	1	DECAL, HEIGHT OF CUT
3	04384900	1	DECAL, FUEL VALVE
4	07800221	1	DECAL, SEAT RELEASE
5	07800534	1	DECAL, GRAVELY BRAND
6	07800617	1	DECAL, X-FACTOR DECK
7	07800651	1	DECAL, PRO-TURN 148
8	07800656	1	DECAL, NON-EFI CONTROL PANEL
9	07800660	1	DECAL, FUSE BLOCK
10	08001038	1	DECAL, MADE IN USA
11	07800621	1	DECAL, BELT ROUTE RH V-SIDE IDLER

DECALS – STYLE – 52"

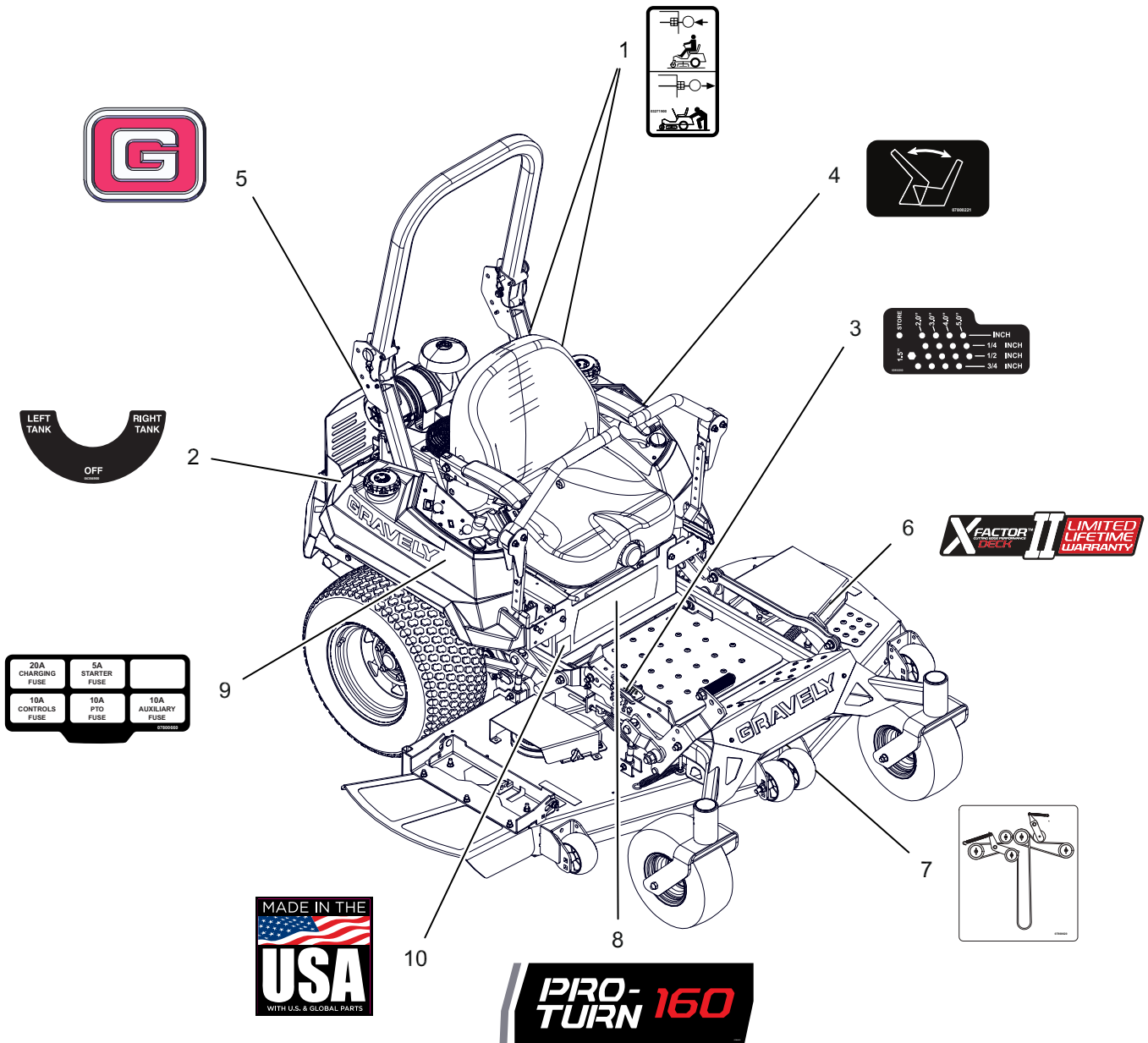
Model 991129, 132



BOM ID	Number	Qty	Description
1	03271900	2	DECAL, TRANSMISSION DISCONNECT
2	04384900	1	DECAL, FUEL VALVE
3	03955200	1	DECAL, HEIGHT OF CUT
4	07800221	1	DECAL, SEAT RELEASE
5	07800534	1	DECAL, GRAVELY BRAND
6	07800621	1	DECAL, BELT ROUTE RH V-SIDE IDLER
7	07800652	1	DECAL, PRO-TURN152
8	07800660	1	DECAL, FUSE BLOCK
9	07800656	1	DECAL, NON-EFI CONTROL PANEL
10	07800617	1	DECAL, X-FACTOR DECK
11	08001038	1	DECAL, MADE IN USA

DECALS – STYLE – 60"

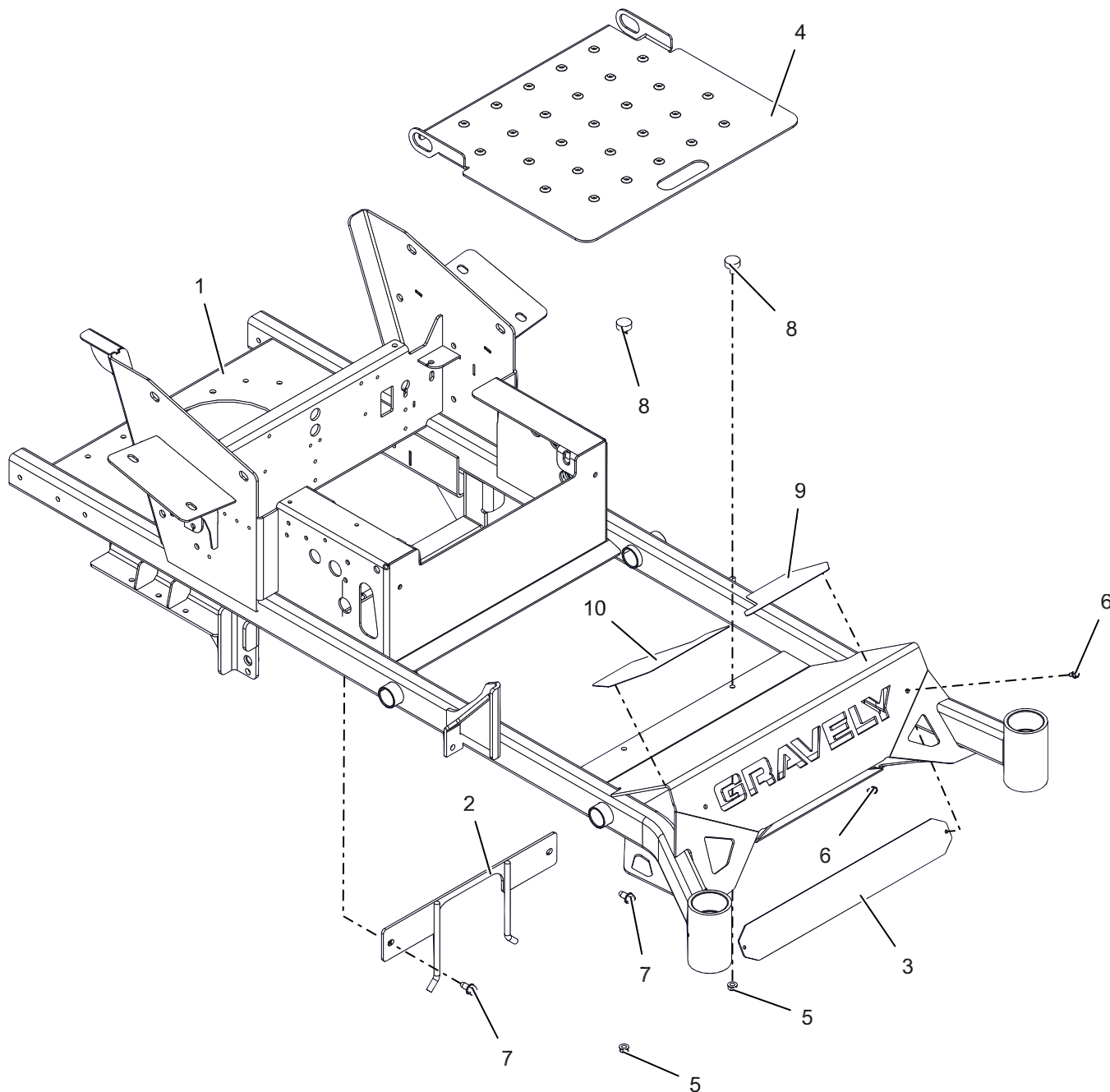
Model 991130, 133



BOM ID	Number	Qty	Description
1	03271900	2	DECAL, TRANSMISSION DISCONNECT
2	04384900	1	DECAL, FUEL VALVE
3	03955200	1	DECAL, HEIGHT OF CUT
4	07800221	1	DECAL, SEAT RELEASE
5	07800534	1	DECAL, GRAVELY BRAND
6	07800617	1	DECAL, X-FACTOR DECK
7	07800620	1	DECAL, BELT ROUTE RH BK SIDE IDLER
8	07800653	1	DECAL, PRO-TURN 160
9	07800660	1	DECAL, FUSE BLOCK
10	08001038	1	DECAL, MADE IN USA

MAIN FRAME – 48" AND 52"

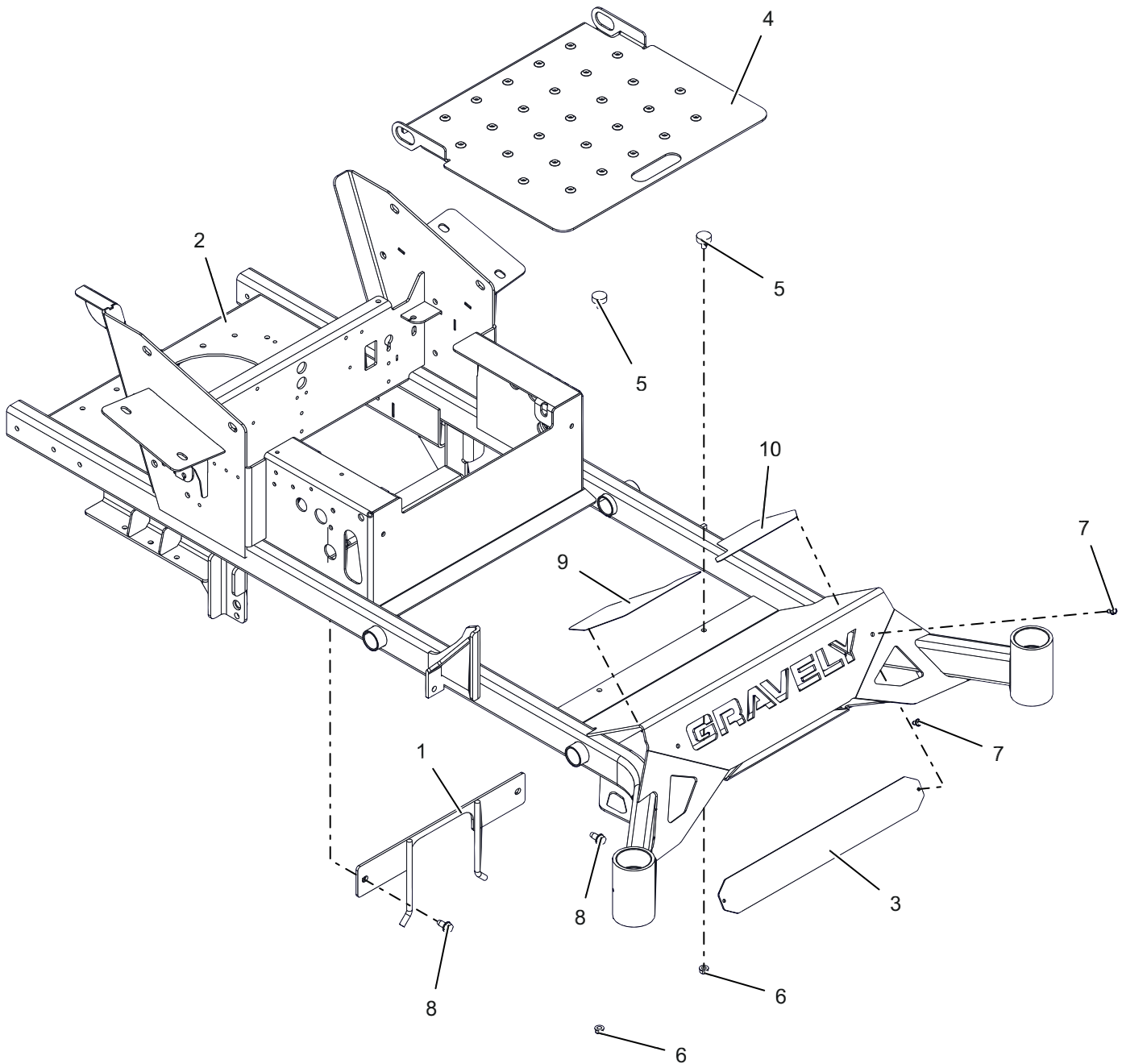
Model 991128, 129, 132



BOM ID	Number	Qty	Description
1	59108700	1	PT/100 48-52" FRAME W/SAFETY DECALS
2	04053651	1	WLDMT, PTO BELT FINGER
3	04386551	1	PLATE, BUMPER LOGO BACKING-BLACK
4	59108900	1	PT/100 FOOT PLATE W/SAFETY DECALS
5	06500815	2	NUT, FLG-SPNLK .312-18 GR5 ZC120
6	07400122	2	SCR-TAP .25-20X.50 HWH ZCC
7	07400129	2	SCR-TAP .38-16X.75 HWH ZCC
8	07533600	2	BUMPER, RUBBER
9	05286700	1	GRIP, LH FOOT PLATE
10	05286600	1	GRIP, RH FOOT PLATE

MAIN FRAME – 60"

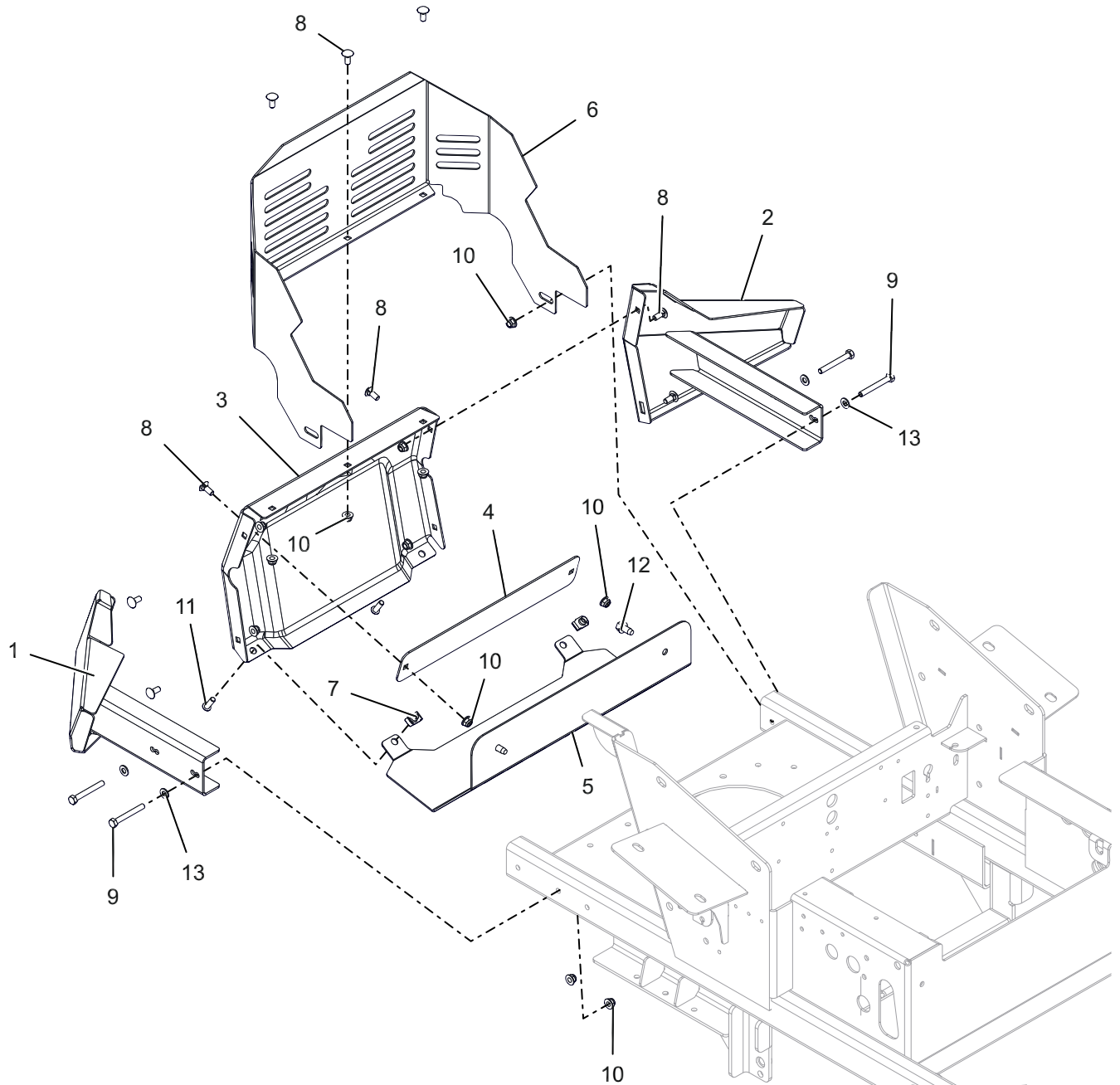
Model 991130, 133



BOM ID	Number	Qty	Description
1	04053651	1	WLDMT, PTO BELT FINGER
2	59108800	1	PT/100 60' FRAME W/SAFETY DECALS
3	04386551	1	PLATE, BUMPER LOGO BACKING-BLACK
4	59108900	1	PT/100 FOOT PLATE W/SAFETY DECALS
5	07533600	2	BUMPER, RUBBER
6	06500815	2	NUT, FLG-SPNLK .312-18 GR5 ZC120
7	07400122	2	SCR-TAP .25-20X.50 HWH ZCC
8	07400129	2	SCR-TAP .38-16X.75 HWH ZCC
9	05286600	1	GRIP, RH FOOT PLATE
10	05286700	1	GRIP, LH FOOT PLATE

REAR BUMPER

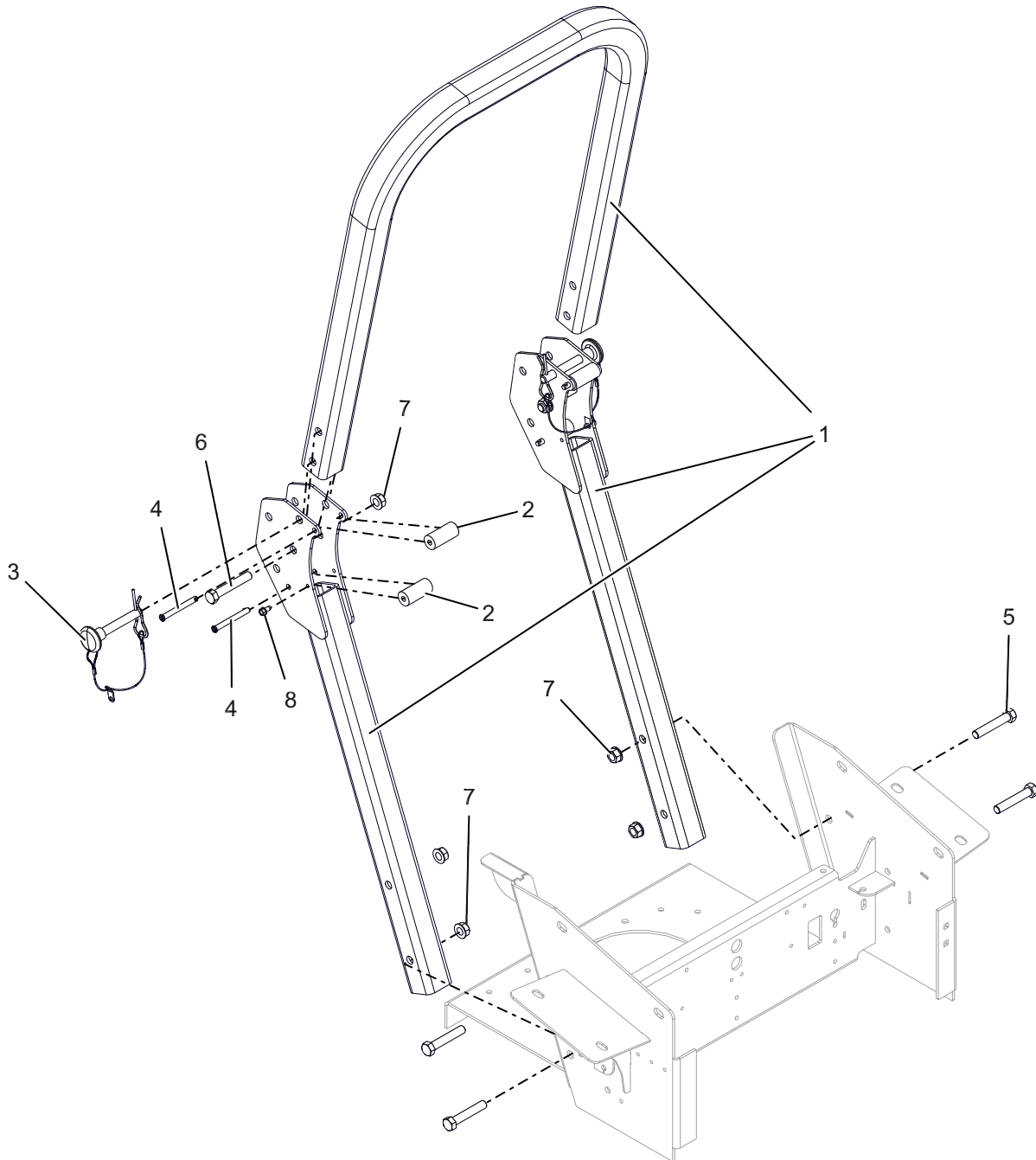
Model All



BOM ID	Number	Qty	Description
1	59109100	1	RH REAR BUMPER WING W/SAFETY DECAL
2	59109000	1	LH REAR BUMPER WING W/SAFETY DECAL
3	04863451	1	BUMPER, PT200/400 REAR
4	04894853	1	PLATE, BACKER
5	05005351	1	GUARD, PT100 MUFFLER
6	05005253	1	GUARD, PT100 ENGINE (RED)
7	07000829	2	NUT-CLIP RETAINER 5/16-18X.56
8	06200232	9	BTL,RHSN .313-18 X 0.75 G5 ZCC
9	05901912	4	BLT, HEX 0.3125-18X2.5 GR5 ZCC
10	06500809	13	NUT, LK-NYL-FLG .31-18 GR5 ZC120
11	05901840	2	SCR,BTNHDD .31-18X1.00 ZCC
12	07400129	2	SCR-TAP .38-16X.75 HWH ZCC
13	06401017	4	WSHR-FL-STL 0.344X0.688X0.065 ZC120

ROPS

Model All



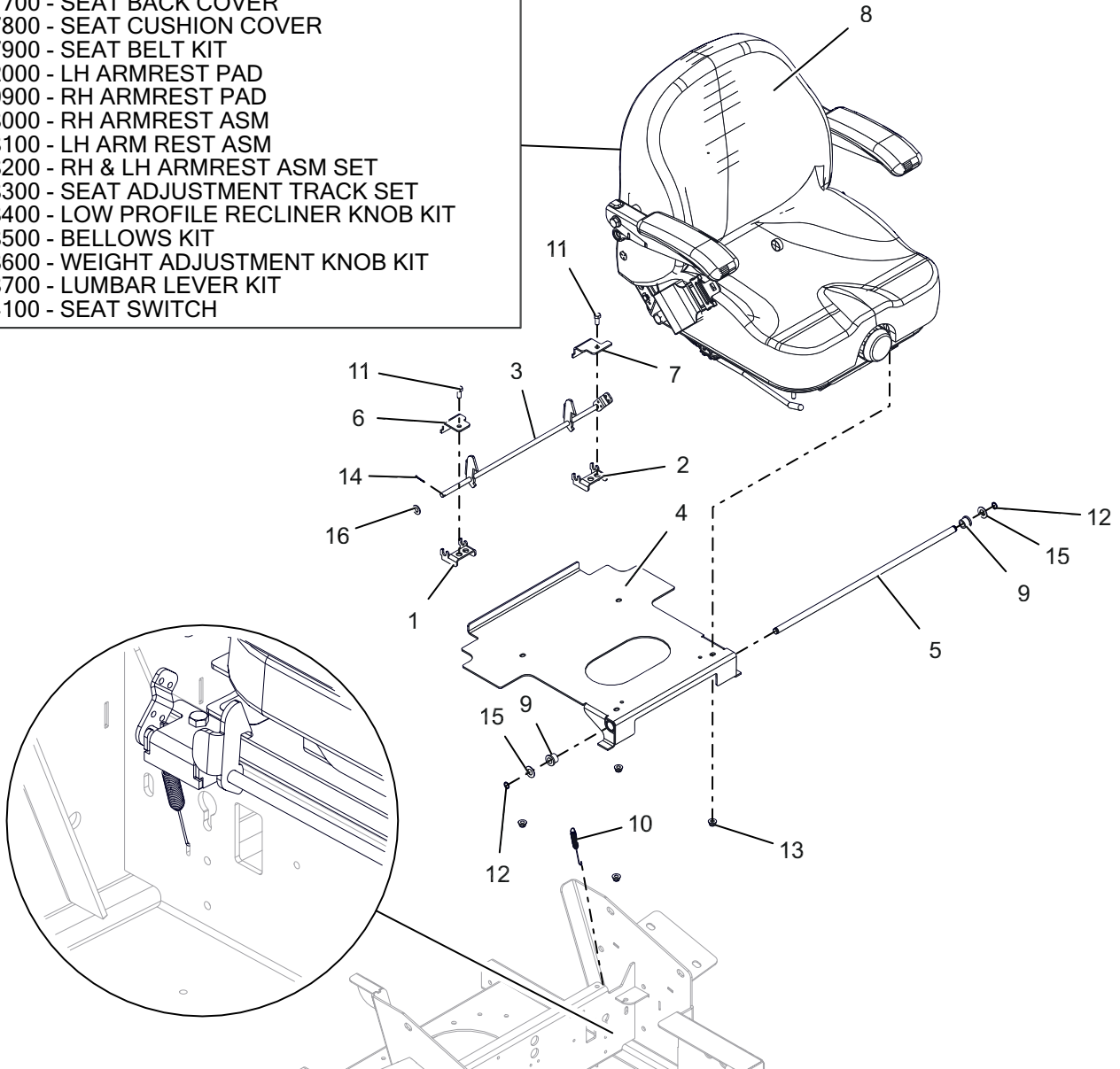
BOM ID	Number	Qty	Description
1	59108400	1	ROPS, PT/PT100 REPLACEMENT
2	04884200	4	BUMPER, ROPS ANTI-VIBRATION
3	04898200	2	PIN, ROPS W/LANYARD
4	07001826	4	PIN, SLIC .312 X 2.57
5	05901720	4	BLT, HEX 0.5-13X2.75 GR5 ZC120
6	05901737	2	BLT, HEX 0.5-13X3 GR5 ZCC
7	06500902	6	NUT, FLG-CTR LK .500-13 GG ZCC
8	07400122	2	SCR-TAP .25-20X.50 HWH ZCC

SEAT ASSEMBLY

Model All

SERVICE PARTS:

21557700 - SEAT BACK COVER
 21557800 - SEAT CUSHION COVER
 21557900 - SEAT BELT KIT
 21552000 - LH ARMREST PAD
 21560900 - RH ARMREST PAD
 21558000 - RH ARMREST ASM
 21558100 - LH ARM REST ASM
 21558200 - RH & LH ARMREST ASM SET
 21558300 - SEAT ADJUSTMENT TRACK SET
 21558400 - LOW PROFILE RECLINER KNOB KIT
 21558500 - BELLOWS KIT
 21558600 - WEIGHT ADJUSTMENT KNOB KIT
 21558700 - LUMBAR LEVER KIT
 02754100 - SEAT SWITCH

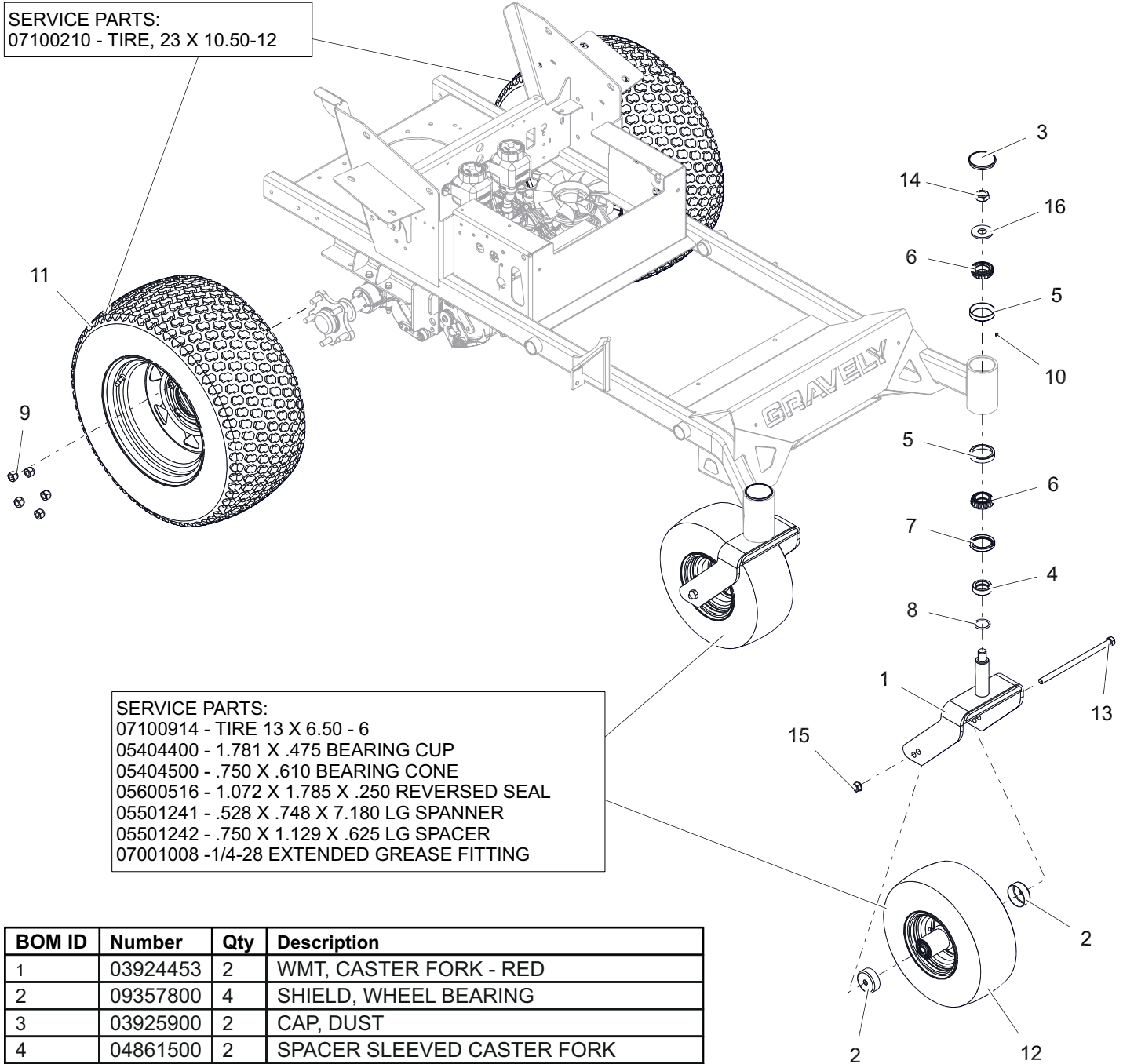


BOM ID	Number	Qty	Description
1	03930451	1	WLDMT, PT/PT100 RH SEAT LATCH MOUNT-BLACK
2	03930551	1	WLDMT, PT/PT100 LH SEAT LATCH MOUNT-BLACK
3	04975651	1	WLDMT, PT/PT100 SEAT LATCH
4	05012251	1	WLDMT, PRO-TURN 100 SEAT PLATE (BLACK)
5	03837800	1	SHAFT, PT/PT100 SEAT PIVOT
6	03917951	1	MOUNT, PT/PT100 RH TOP SEAT LATCH-BLACK
7	03918551	1	MOUNT, PT/PT100 LH TOP SEAT LATCH-BLACK
8	04876100	1	SEAT, FULL SUSPENSION
9	05500901	2	BSHG, FLANGE .516 X .750 X .625 X .937
10	08321100	1	SPRG, EXTENSION - .043 X .440 X 3.310
11	05901704	2	BLT, HEX 0.3125-18X0.75 GR5 ZC120
12	05717100	2	RG-RTNG-EXT .500x.050
13	06500809	4	NUT, LK-NYL-FLG .31-18 GR5 ZC120
14	06700227	1	PIN, CTR .09X.750 EXTPRSQCT ZC120
15	06401115	2	WSHR-FL-STL 0.531X1X0.063 ZCC
16	06401013	1	WSHR-FL-STL 0.406X0.812X0.065 ZC120

TIRE ASSEMBLY

Model All

SERVICE PARTS:
07100210 - TIRE, 23 X 10.50-12



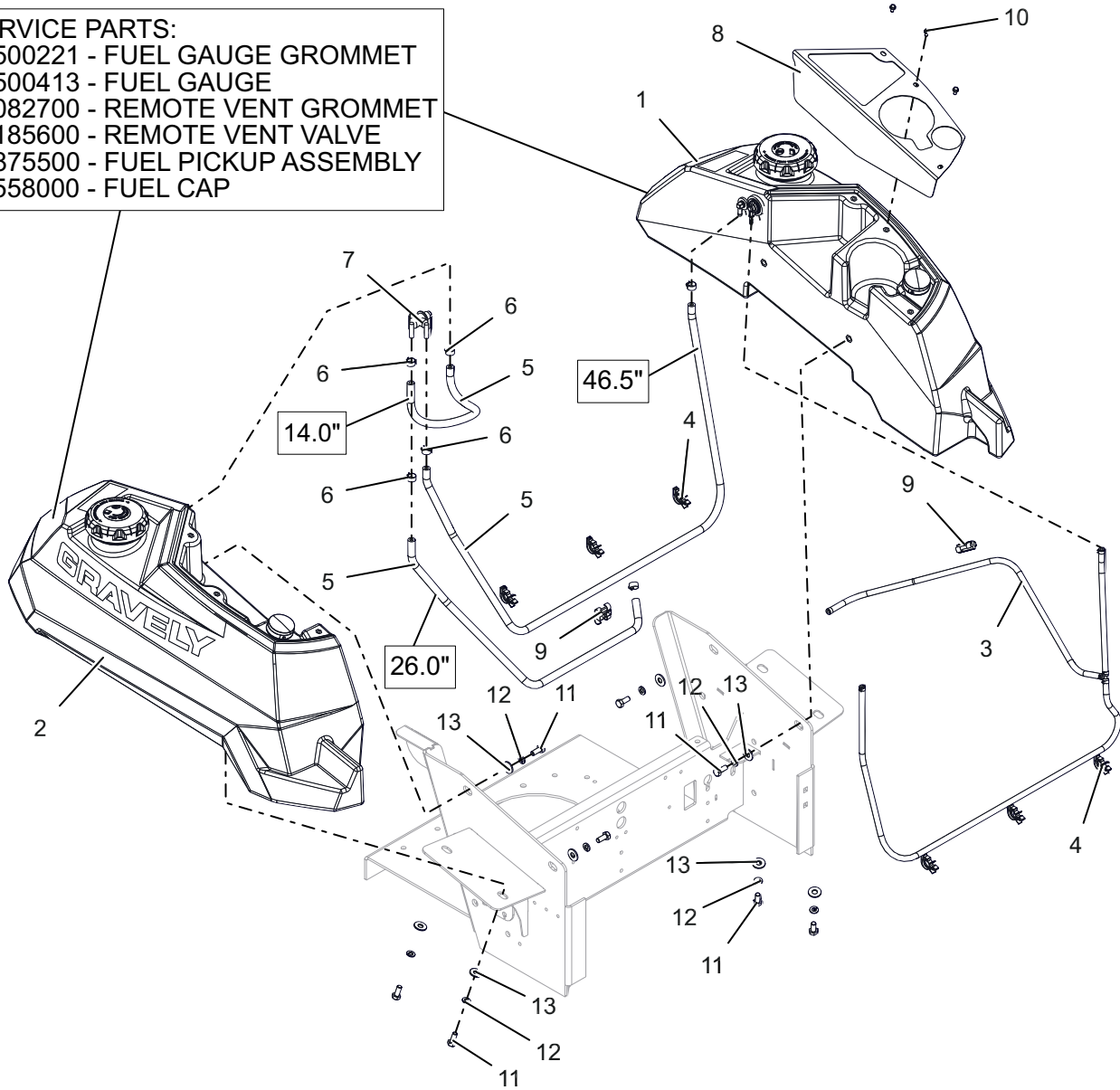
SERVICE PARTS:
07100914 - TIRE 13 X 6.50 - 6
05404400 - 1.781 X .475 BEARING CUP
05404500 - .750 X .610 BEARING CONE
05600516 - 1.072 X 1.785 X .250 REVERSED SEAL
05501241 - .528 X .748 X 7.180 LG SPANNER
05501242 - .750 X 1.129 X .625 LG SPACER
07001008 - 1/4-28 EXTENDED GREASE FITTING

BOM ID	Number	Qty	Description
1	03924453	2	WMT, CASTER FORK - RED
2	09357800	4	SHIELD, WHEEL BEARING
3	03925900	2	CAP, DUST
4	04861500	2	SPACER SLEEVED CASTER FORK
5	05404600	4	BRG, CUP 2.328 X .465
6	05404700	4	BRG, CONE 1.250 X .660
7	05600432	2	SEAL, OIL 1.75 X 2.332 X .312
8	05600515	2	O-RING, .139 W X 1.234 ID
9	06500926	10	NUT, WHEEL .500-20 ZCC
10	07001727	2	FITTING, .250-28 FLUSH MOUNT GREASE
11	07101116	2	ASSM TIRE\WHEEL, 23 X 10.50 - 12
12	07101110	2	ASSM TIRE\WHEEL, 13 X 6.50-6 SMOOTH
13	05901930	2	BLT, HEX 0.5-13X9 GR5 ZCC
14	06500933	2	NUT, JAM-TOPLOCK .750-16 ZCC
15	06500902	2	NUT, FLG-CTR LK .500-13 GF ZCC
16	06401201	2	WSHR-FL-STL 0.812X2X0.148 ZCC

FUEL SYSTEM – KAWASAKI

Model 991128, 129, 130

SERVICE PARTS:
 07500221 - FUEL GAUGE GROMMET
 07500413 - FUEL GAUGE
 04082700 - REMOTE VENT GROMMET
 05185600 - REMOTE VENT VALVE
 04875500 - FUEL PICKUP ASSEMBLY
 04558000 - FUEL CAP

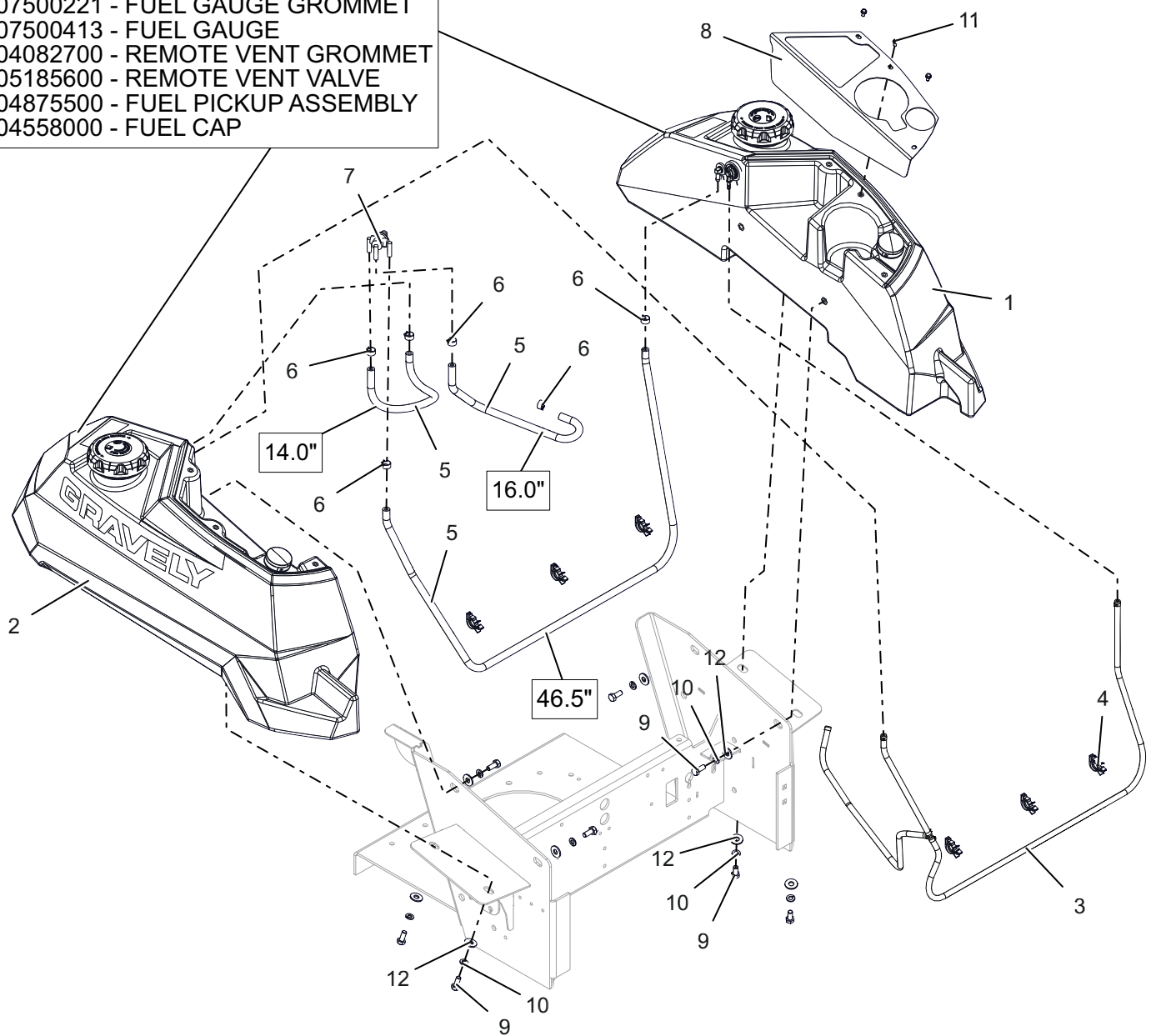


BOM ID	Number	Qty	Description
1	05067500	1	ASM, LH - PT100 FUEL TANK
2	05067600	1	ASM, RH - PT100 FUEL TANK
3	05073700	1	ASM, VAPOR LINE
4	00390100	6	WIRE, CLIP
5	03278100	3	HOSE, .25 LOW PERM GAS
6	03278800	6	CLAMP, FUEL LINE
7	04426400	1	VALVE, FUEL
8	05067453	1	PANEL, PT100 CUPHOLDER (RED)
9	07001712	2	CLIP, T, .38-.50
10	06100211	3	SCR-MCH 10-24X.38 HWHSTAINLESS
11	05901704	8	BLT, HEX 0.3125-18X0.75 GR5 ZC120
12	06300119	8	WSHR,LK-REG 0.314 X 0.078 ZCC
13	06401023	8	WSHR-FL-STL 0.375X0.875X0.083 ZC120

FUEL SYSTEM – KOHLER

Model 991132, 133

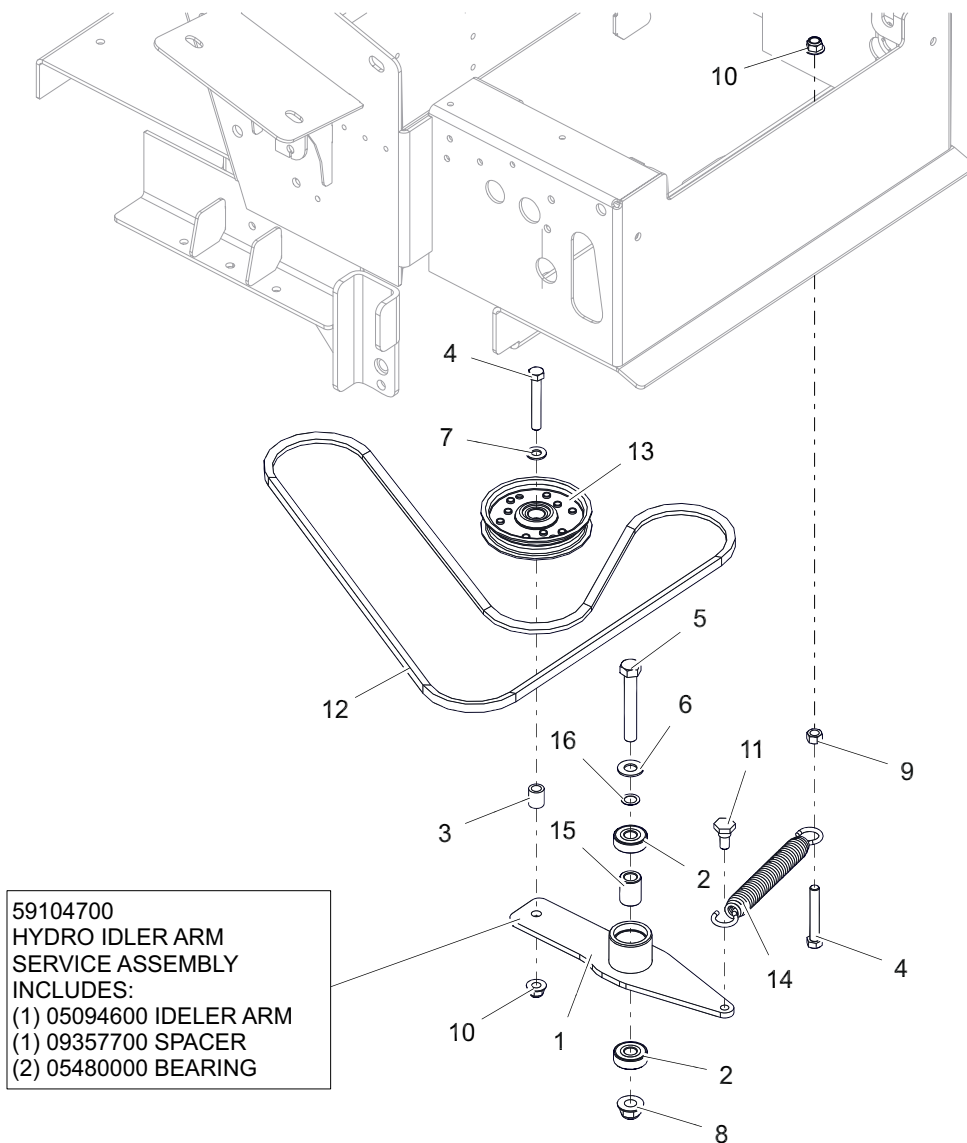
SERVICE PARTS:
 07500221 - FUEL GAUGE GROMMET
 07500413 - FUEL GAUGE
 04082700 - REMOTE VENT GROMMET
 05185600 - REMOTE VENT VALVE
 04875500 - FUEL PICKUP ASSEMBLY
 04558000 - FUEL CAP



BOM ID	Number	Qty	Description
1	05067500	1	ASM, LH - PT100 FUEL TANK
2	05067600	1	ASM, RH - PT100 FUEL TANK
3	05073700	1	ASM, VAPOR LINE
4	00390100	6	WIRE, CLIP
5	03278100	3	HOSE, .25
6	03278800	6	CLAMP, FUEL LINE
7	04426400	1	VALVE, FUEL
8	05067453	1	PANEL, PT100 CUPHOLDER (RED)
9	05901704	8	BLT, HEX 0.3125-18X0.75 GR5 ZC120
10	06300119	8	WSHR,LK-REG 0.314 X 0.078 ZCC
11	06100211	3	SCR-MCH 10-24X.38 HWHSTAINLESS
12	06401023	8	WSHR-FL-STL 0.375X0.875X0.083 ZC120

TRANSAXLE DRIVE

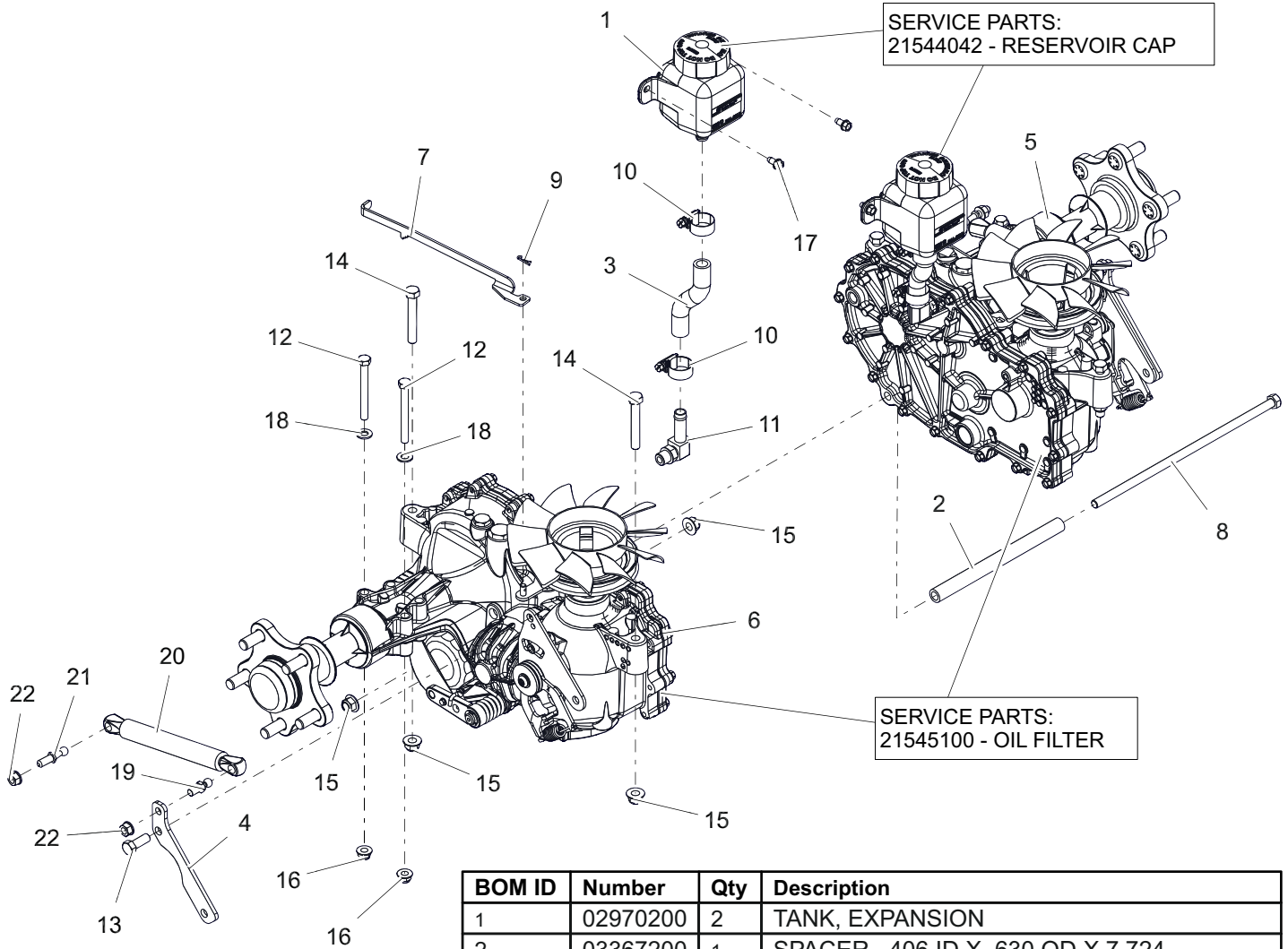
Model All



BOM ID	Number	Qty	Description
1	59104700	1	WLDMT, HYDRO DRIVE IDLER ARM
2	05408000	2	BRG-BALL .500X1.375X.44
3	05525700	1	SPACER SLEEVE
4	05901812	2	BLT, HEX 0.375-16X2.5 GR5 ZCC
5	05901634	1	BLT, HEX 0.5-13X3.25 GR5 ZC120
6	06401116	1	WSHR-FL-STL 0.526X1.055X0.074 HRD
7	06401013	1	WSHR-FL-STL 0.406X0.812X0.065 ZC120
8	06500810	1	NUT, LK-NYL-FLG .50-13 GR5 ZC120
9	06500917	1	NUT, STD .375-16 GR2 ZCC
10	06500726	2	NUT, LK-NYL-FLG .38-16 GR5 ZC120
11	07000034	1	BLT, SHLDR EP .38-16X.30 HEX
12	07226400	1	BELT, V-A-COGGED
13	07300101	1	ASM, IDLER 4"
14	08300728	1	SPRG, EXTENSION - SWIVEL
15	09357700	1	SPACER SLEEVED SPACER, .510 X .867 X 1.148
16	06400015	1	WASHER-FLAT-STL, .500 X .750 X .020

TRANSAXLES

Model All



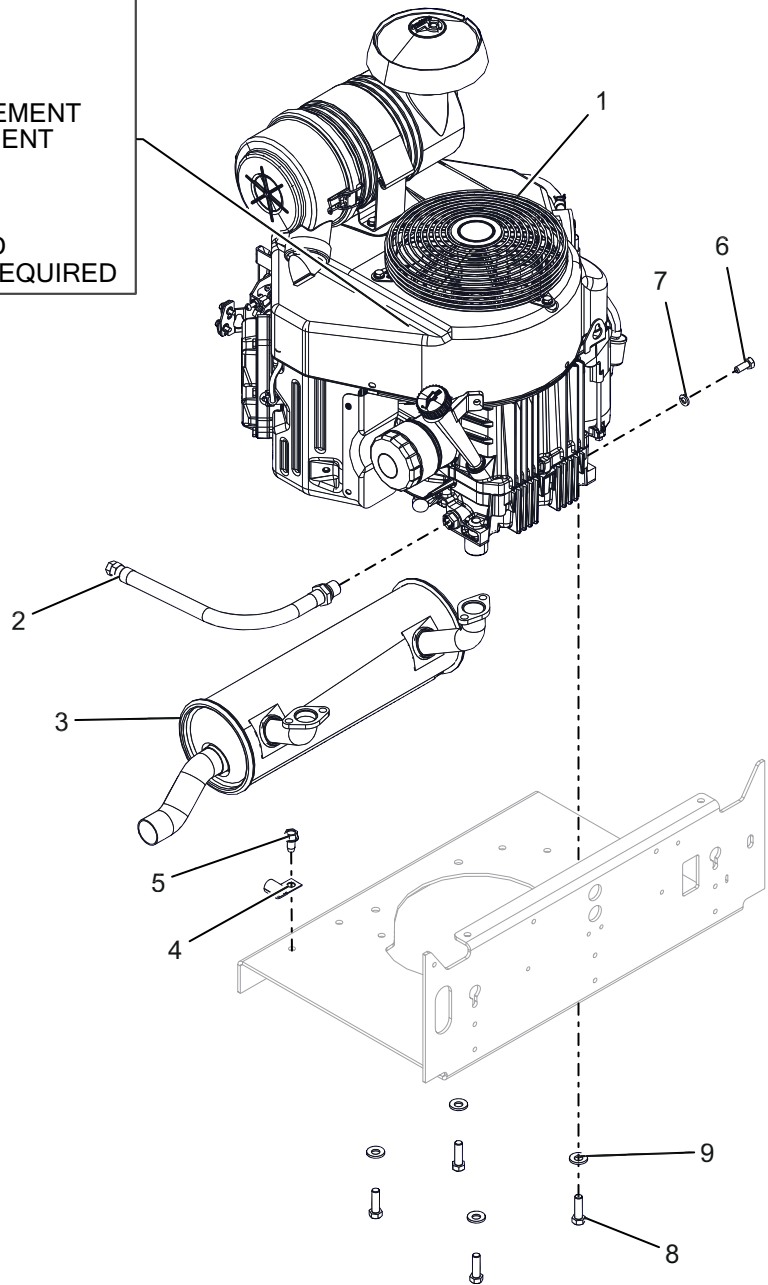
BOM ID	Number	Qty	Description
1	02970200	2	TANK, EXPANSION
2	03367200	1	SPACER, .406 ID X .630 OD X 7.724
3	03832300	2	HOSE, PT100 HYDRO OVERFLOW
4	04244751	2	TRANSMISSION DAMPER MTG PLATE - BLK
5	09184600	1	TRANSAXLE, ZT-3400 - LH
6	09184700	1	TRANSAXLE, ZT-3400 - RH
7	04868251	2	BRKT, DUMP VALVE
8	05901921	1	BLT, HEX 0.375-16X11 GR5 ZCC
9	06700221	2	PIN-HAIR INT .06X.18X.77
10	06923500	4	CLAMP, HOSE - .88 DIA
11	07001528	2	FITTING, HYD (90 DEG)
12	05901933	4	BLT, HEX 0.3125-18X3 GR5 ZCC
13	05901711	2	BLT, HEX 0.375-16X1 GR5 ZC120
14	05901812	4	BLT, HEX 0.375-16X2.5 GR5 ZCC
15	06500726	7	NUT, LK-NYL-FLG .38-16 GR5 ZC120
16	06500809	4	NUT, LK-NYL-FLG .31-18 GR5 ZC120
17	07400122	4	SCR-TAP .25-20X.50 HWH ZCC
18	06401017	4	WSHR-FL-STL 0.344X0.688X0.065 ZC120
19	03652200	2	STUD-BALL
20	03769800	2	DAMPER, STEERING
21	04097100	2	STUD, BALL THREADED
22	06500904	4	NUT, FLG-TOP LK .312-18 GR5 ZCC

ENGINE – KAWASAKI FX691

Model 991128, 129

SERVICE PARTS:

04088900 - AIR CLEANER RAIN CAP
 06900426 - CAP HOSE CLAMP
 03286700 - STARTER SOLENOID LEAD
 21548800 - AIR FILTER OUTER PRIMARY ELEMENT
 21548700 - AIR FILTER INNER SAFETY ELEMENT
 21535800 - OIL FILTER
 21548101 - FUEL FILTER
 21536100 - SPARK PLUG (2) REQUIRED
 00191627 - MUFFLER GASKET (2) REQUIRED
 06500919 - M8 TOP LOCK FLANGE NUT (4) REQUIRED



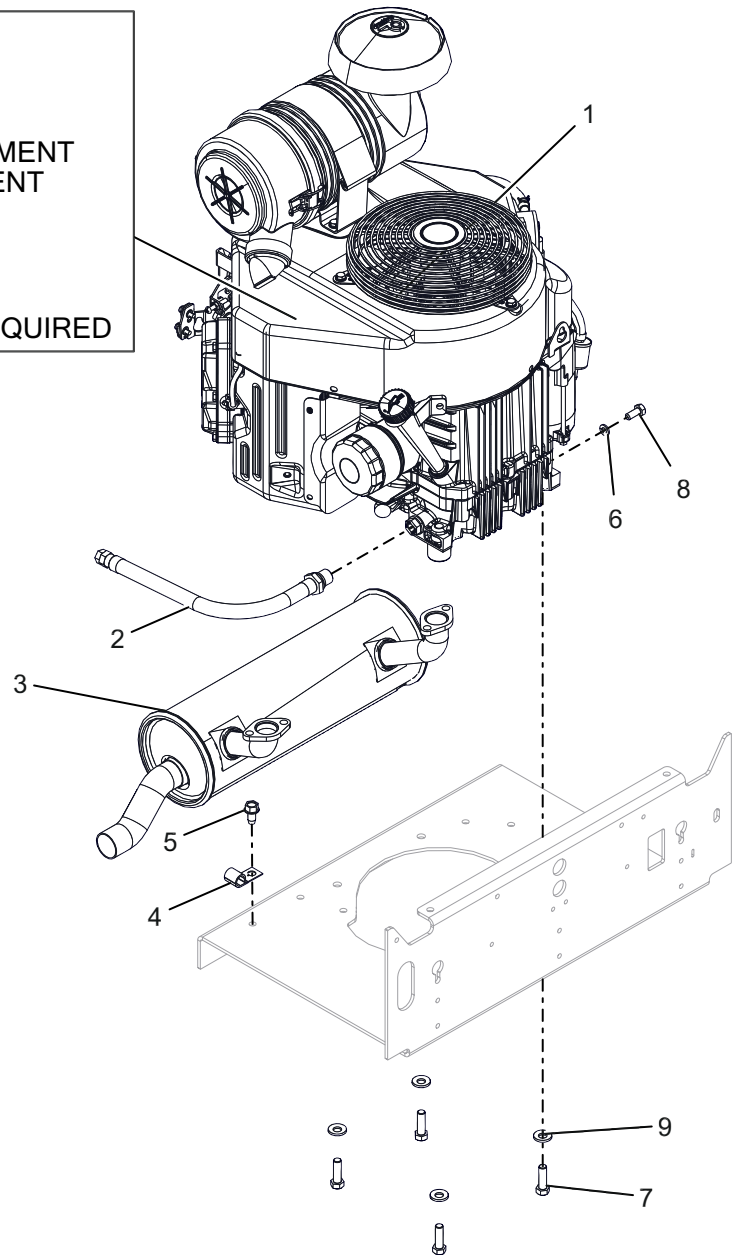
BOM ID	Number	Qty	Description
1	08200721	1	ENGINE, KAWASAKI
2	07001731	1	HOSE, OIL DRAIN
3	04885200	1	MUFFLER,
4	06916000	1	J-CLAMP
5	07400129	1	SCR-TAP .38-16X.75 HWH ZCC
6	05901628	1	BLT,HEX M8-1.25X20 G8.8 ZC120
7	06300119	1	WSHR,LK-REG 0.314 X 0.078 ZCC
8	05901808	4	BLT, HEX 0.375-16X1.25 GR5 ZCC NT
9	06400927	4	WSHR, 3/8" SPRING DISC

ENGINE – KAWASAKI FX730

Model 991130

SERVICE PARTS:

04088900 - AIR CLEANER RAIN CAP
 06900426 - CAP HOSE CLAMP
 03286700 - STARTER SOLENOID LEAD
 21548800 - AIR FILTER OUTER PRIMARY ELEMENT
 21548700 - AIR FILTER INNER SAFETY ELEMENT
 21535800 - OIL FILTER
 21548101 - FUEL FILTER
 21536100 - SPARK PLUG (2) REQUIRED
 00191627 - MUFFLER GASKET (2) REQUIRED
 06500919 - M8 TOP LOCK FLANGE NUT (4) REQUIRED

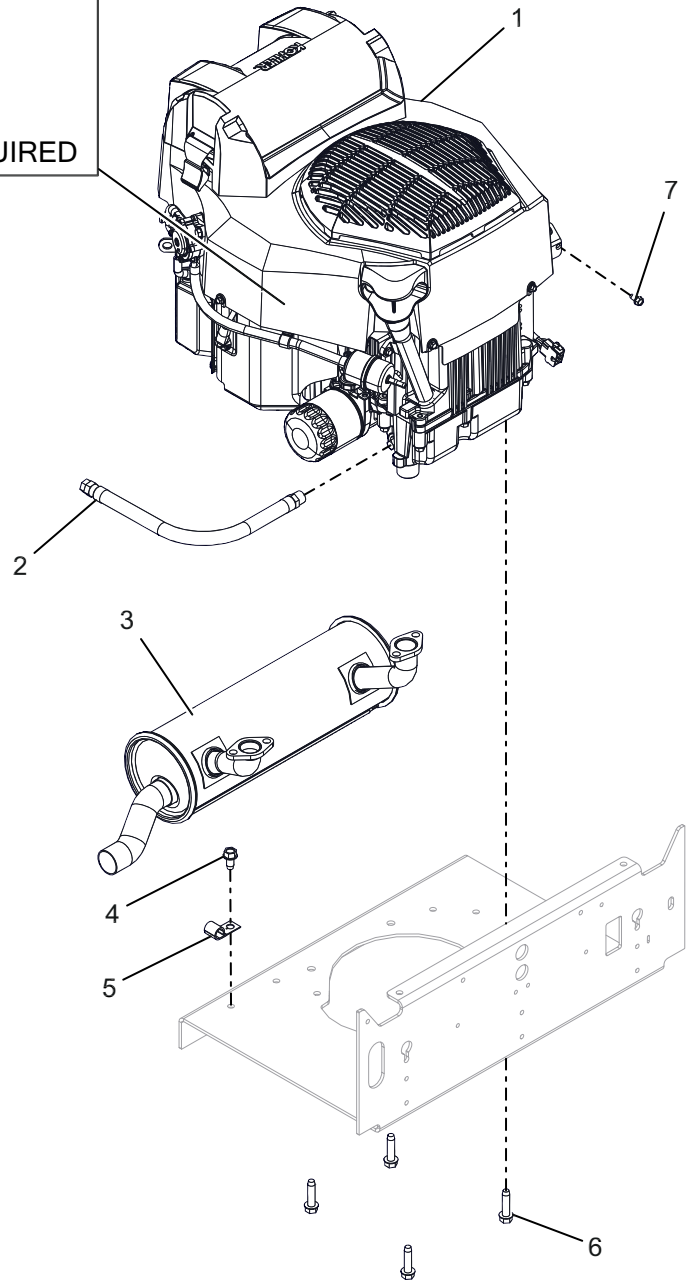


BOM ID	Number	Qty	Description
1	08200722	1	ENGINE, KAWASAKI
2	07001731	1	HOSE, OIL DRAIN
3	04885200	1	MUFFLER,
4	06916000	1	J-CLAMP
5	07400129	1	SCR-TAP .38-16X.75 HWH ZCC
6	06300119	1	WSHR,LK-REG 0.314 X 0.078 ZCC
7	05901808	4	BLT, HEX 0.375-16X1.25 GR5 ZCC NT
8	05901628	1	BLT,HEX M8-1.25X20 G8.8 ZC120
9	06400927	4	WSHR, 3/8" SPRING DISC

ENGINE – KOHLER CONFIDANT ZT730

Model 991132

SERVICE PARTS:
 21500010 - AIR FILTER
 21397200 - OIL FILTER
 21545700 - FUEL FILTER
 21500009 - SPARK PLUG (2) REQUIRED
 05600505 - EXHAUST GASKET (2) REQUIRED
 06500919 - M8 TOP LOCK FLANGE NUT (4) REQUIRED

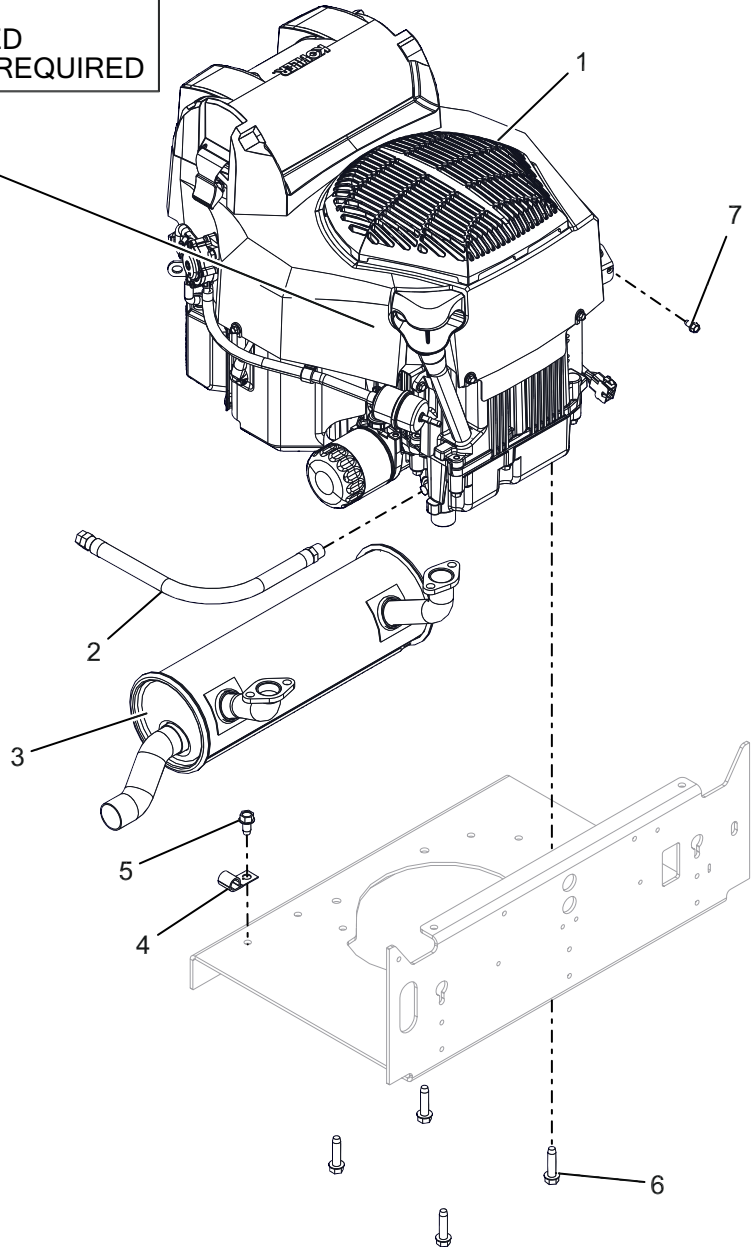


BOM ID	Number	Qty	Description
1	08201029	1	ENGINE, KOHLER
2	05155100	1	HOSE, OIL DRAIN
3	04885100	1	MUFFLER, ZT730, ZT740
4	07400129	1	SCR-TAP .38-16X.75 HWH ZCC
5	06916000	1	J-CLAMP
6	07400203	4	SCR-TAP .38-16X1.50 HWH ZCC
7	07400122	1	SCR-TAP .25-20X.50 HWH ZCC

ENGINE – KOHLER CONFIDANT ZT740

Model 991133

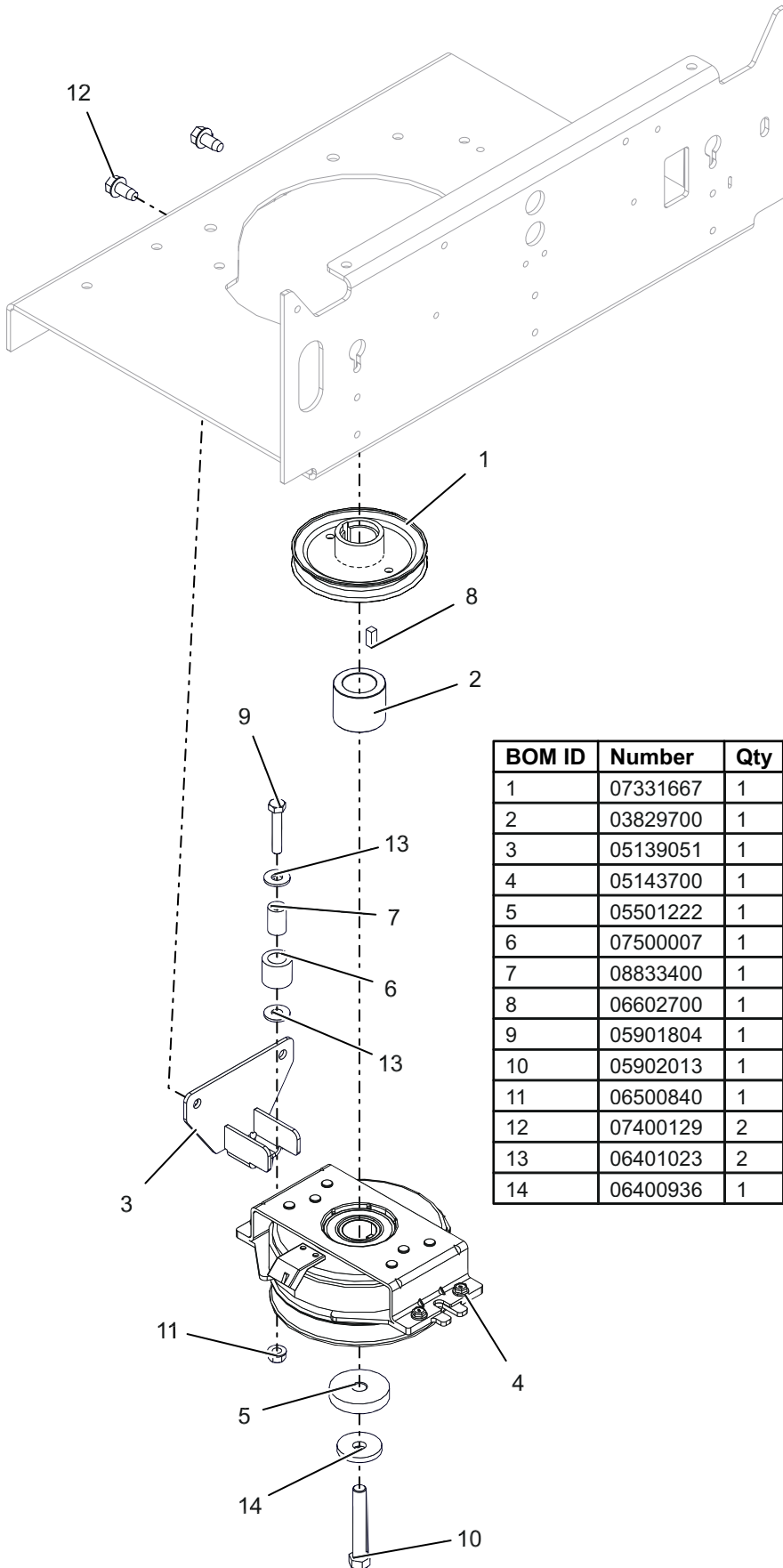
SERVICE PARTS:
 21500010 - AIR FILTER
 21397200 - OIL FILTER
 21545700 - FUEL FILTER
 21500009 - SPARK PLUG (2) REQUIRED
 05600505 - EXHAUST GASKET (2) REQUIRED
 06500919 - M8 TOP LOCK FLANGE NUT (4) REQUIRED



BOM ID	Number	Qty	Description
1	08201030	1	ENGINE, KOHLER
2	05155100	1	HOSE, OIL DRAIN
3	04885100	1	MUFFLER, ZT730, ZT740
4	06916000	1	J-CLAMP
5	07400129	1	SCR-TAP .38-16X.75 HWH ZCC
6	07400203	4	SCR-TAP .38-16X1.50 HWH ZCC
7	07400122	1	SCR-TAP .25-20X.50 HWH ZCC

CLUTCH

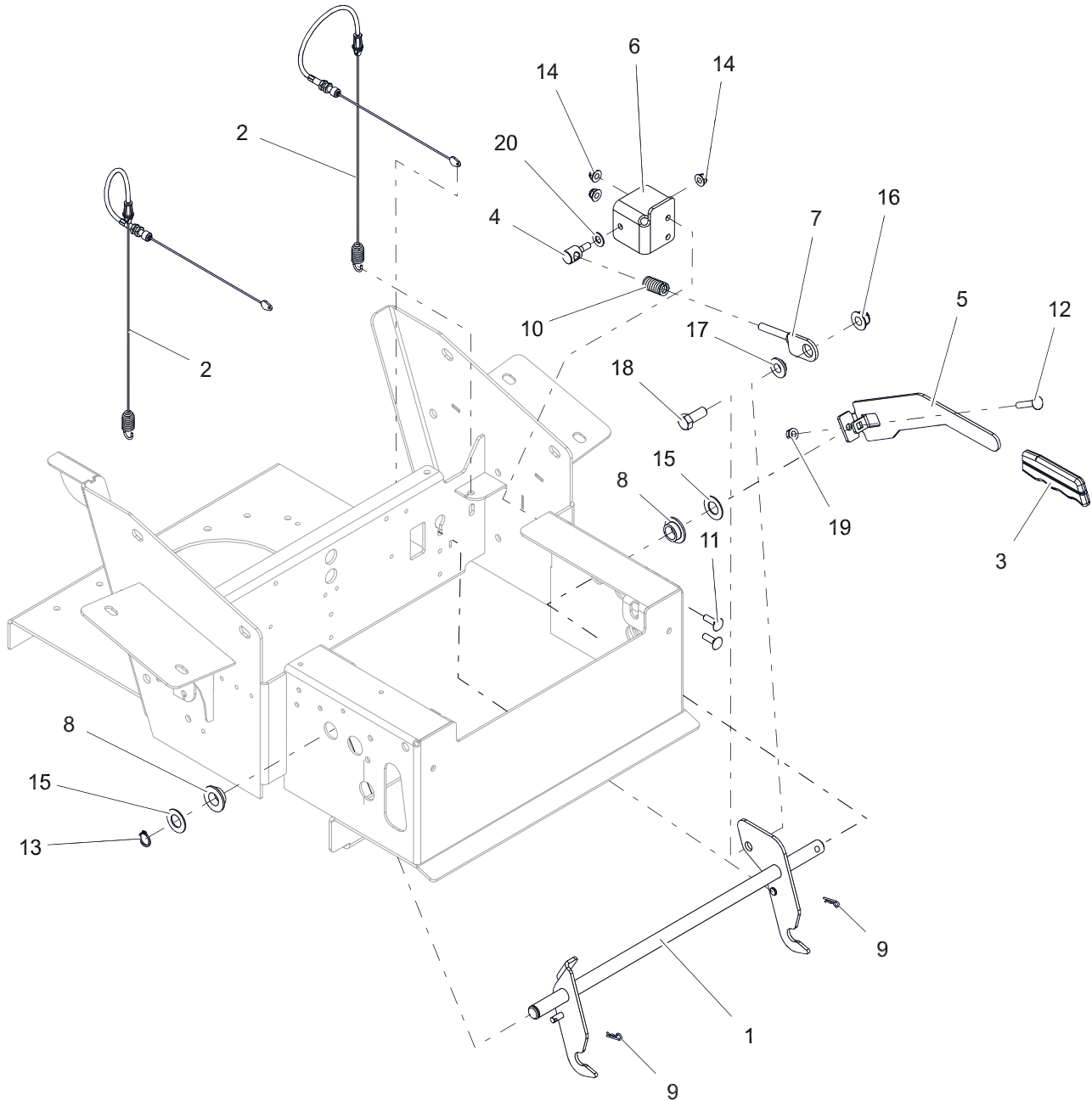
Model All



BOM ID	Number	Qty	Description
1	07331667	1	PULLEY, 4.50 OD X 1.127 ENGINE-BLACK
2	03829700	1	SPCR, 1.125 X 1.75 X 1.400
3	05139051	1	BRKT, CLUTCH STOP (BLACK)
4	05143700	1	CLUTCH, OGURA GT2.75-BB05
5	05501222	1	SPCR, .450 X 2.00 X .396
6	07500007	1	BUMPER, RUBBER .62 X 1.0 X .88 LG
7	08833400	1	BUSH.,S.391X.622X.95 ST REV A
8	06602700	1	KEY-SQ .250X.250X.625
9	05901804	1	BLT, HEX 0.3125-18X1.75 GR5 ZCC
10	05902013	1	BLT, HEX 0.4375-20X2.75 G8 ZCC NT
11	06500840	1	NUT, FLG-CTR LK .312-18 GR5 ZCC
12	07400129	2	SCR-TAP .38-16X.75 HWH ZCC
13	06401023	2	WSHR-FL-STL 0.375X0.875X0.083 ZC120
14	06400936	1	WSHR, 7/16" SPRING DISC

PARKING BRAKE

Model All

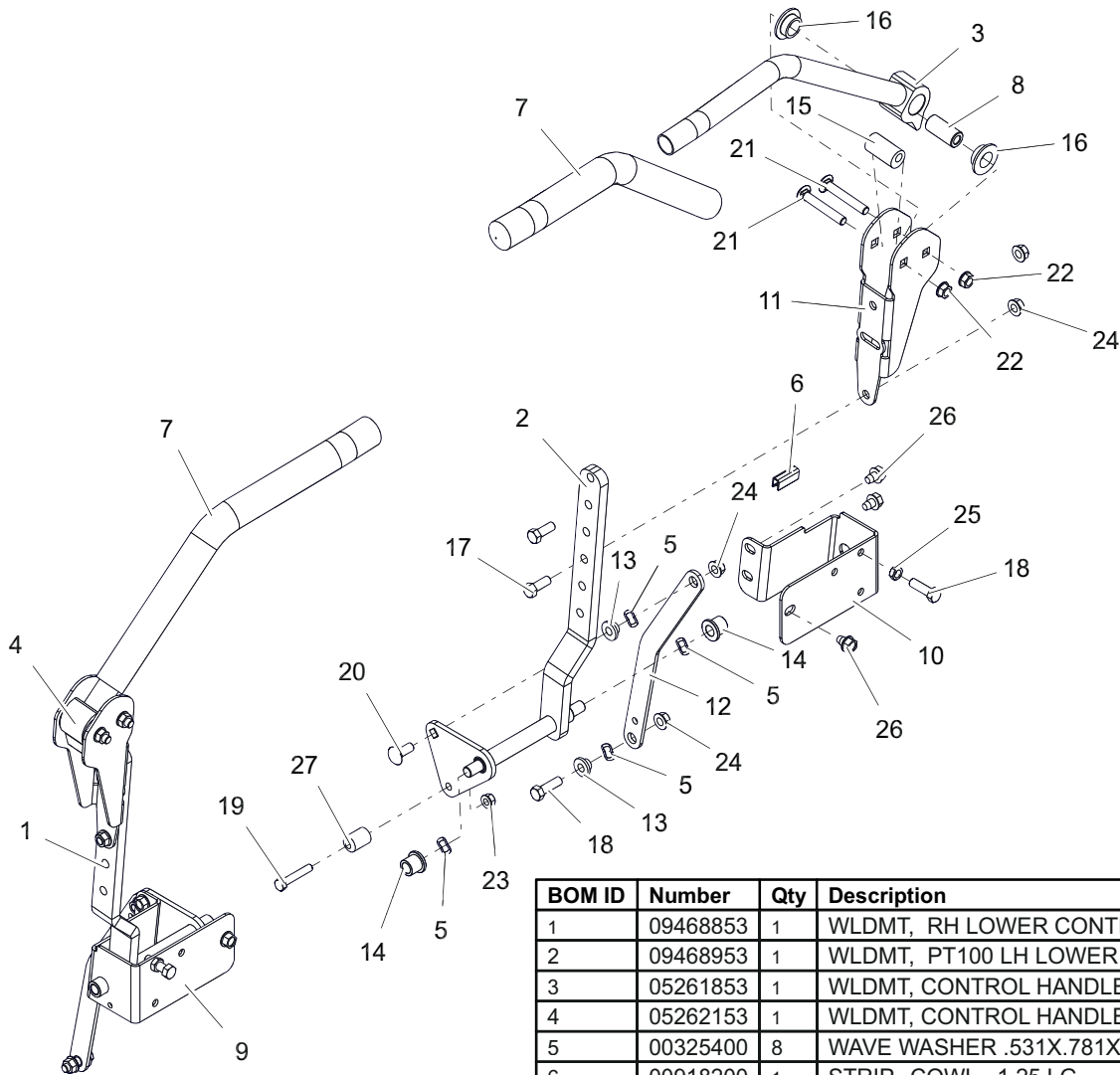


BOM ID	Number	Qty	Description
1	05066967	1	WLDMT, PT/PT100 BRAKE LEVER (BLACK)
2	06900639	2	CABLE, BRAKE
3	05097200	1	GRIP, PARKING BRAKE, GREY
4	03969600	1	TRUNNION, .31-18
5	05070751	1	HANDLE, PT/PT100 BRAKE (BLACK)
6	05093151	1	BRACKET, TRUNNION MTG
7	05113600	1	WLDMT, BRAKE SPRING MOUNTING
8	05525200	2	BSHG, FLANGE .762 X 1.48 X .44 NYLON
9	06700222	2	PIN, HAIR #213 .08X1.19 ZCC
10	08300027	1	SPRG, COMPRESSION
11	06200231	2	BTL,RHSN .313-18 X 1 G5 ZCC

BOM ID	Number	Qty	Description
12	06200324	1	BTL,RHSN .313-18 X 1.75 G5 ZCC
13	05714600	1	RG-RTNG-EXT .750x.078
14	06500809	3	NUT, LK-NYL-FLG .31-18 GR5 ZC120
15	06401016	2	WSHR-FL-STL 0.755X1.375X0.062 ZCC
16	06500810	1	NUT, LK-NYL-FLG .50-13 GR5 ZC120
17	03989100	1	BUSHING FLANGED .515X.750X.31X1.12
18	05901637	1	BLT, HEX 0.5-13X1.25 GR5 ZC120
19	06500840	1	NUT, FLG-CTR LK .312-18 GR5 ZCC
20	06401013	1	WSHR-FL-STL 0.406X0.812X0.065 ZC120

DRIVE CONTROLS

Model All



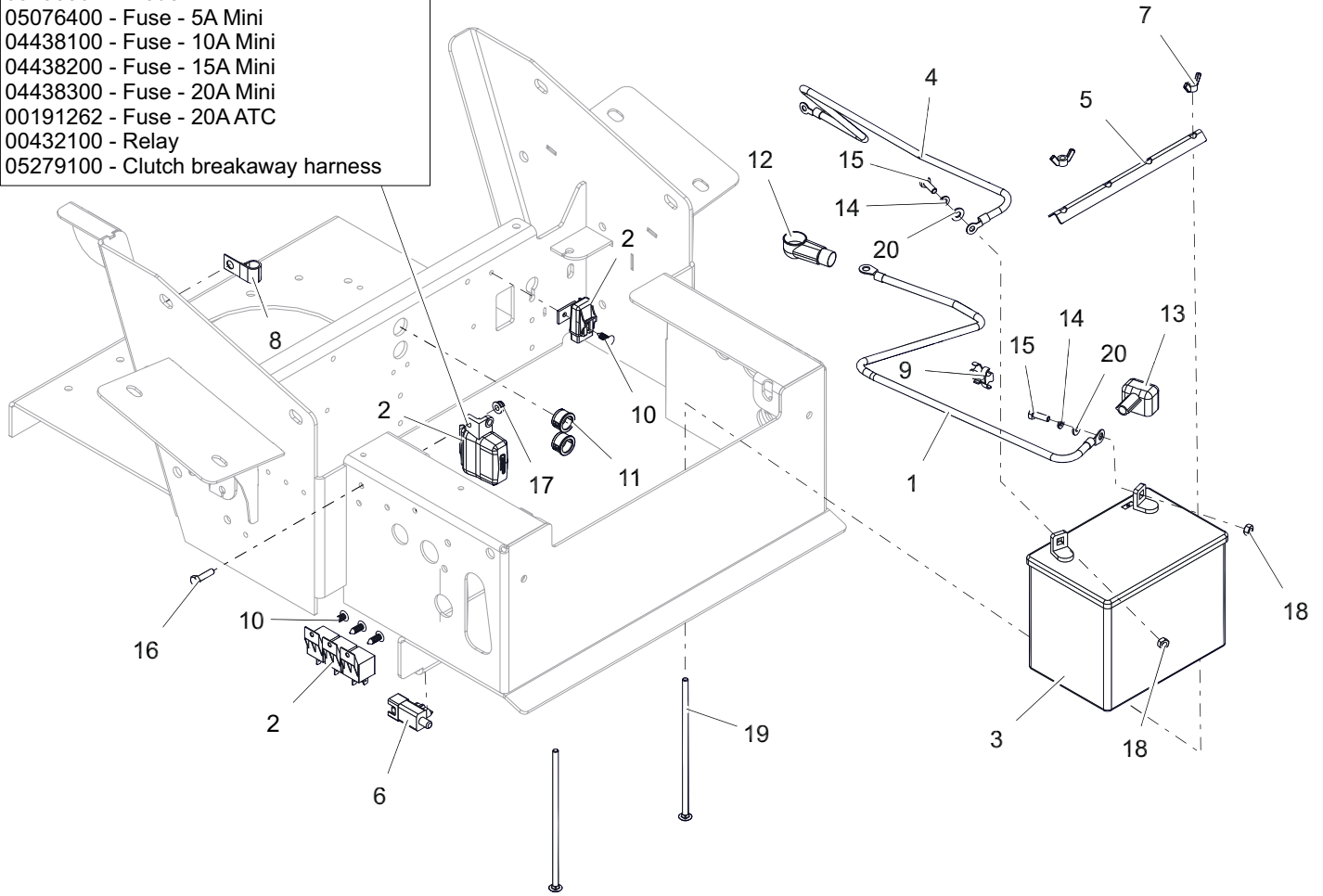
BOM ID	Number	Qty	Description
1	09468853	1	WLDMT, RH LOWER CONTROL ARM (RED)
2	09468953	1	WLDMT, PT100 LH LOWER CONTROL ARM (RED)
3	05261853	1	WLDMT, CONTROL HANDLE-LH (RED)
4	05262153	1	WLDMT, CONTROL HANDLE-RH (RED)
5	00325400	8	WAVE WASHER .531X.781X.125 FH
6	00918200	1	STRIP, COWL - 1.25 LG
7	04383600	2	GRIP, HANDLEBAR
8	04413600	2	SPACER SLEEVED STEERING ARM
9	05013153	1	STOP, RH PT/PT100 DRIVE CONTROL (RED)
10	05013253	1	STOP, LH PT/PT100 DRIVE CONTROL (RED)
11	05068753	2	BRKT, ADJ UPPER CONTROL ARM (RED)
12	05073551	2	LINK, STEERING CONTROL(BLACK)
13	05500435	4	BUSHING FLANGED FLG .385 X .500 X .875 X .406
14	05501001	4	BUSHING FLANGE
15	05501223	2	BSHG, ECCENTRIC .328 X .750 X 1.625
16	05525200	4	BSHG, FLANGE .762 X 1.48 X .44 NYLON
17	05901711	4	BLT, HEX 0.375-16X1 GR5 ZC120
18	05901724	4	BLT, HEX 0.375-16X1.25 GR5 ZC120
19	05901804	2	BLT, HEX 0.3125-18X1.75 GR5 ZCC
20	06200313	2	BTL,RHSN .375-16 X 1 G5 ZCC
21	06200315	4	BTL,RHSSN .375-16 X 2.5 G5 ZCC
22	06500735	4	NUT, FLG-SPNLK .375-16 GR5 ZC120
23	06500840	2	NUT, FLG-CTR LK .312-18 GR5 ZCC
24	06500901	8	NUT, FLG-CTR LK .375-16 GR5 ZC120
25	06500910	2	NUT-JAM .375-16 GR2 ZCC
26	07400126	6	SCR-TAP .38-16X.500 HWH ZCC
27	09235700	2	ECCENTRIC

ELECTRICAL

Model All

SERVICE PARTS:

09293501 - Diode
 05076400 - Fuse - 5A Mini
 04438100 - Fuse - 10A Mini
 04438200 - Fuse - 15A Mini
 04438300 - Fuse - 20A Mini
 00191262 - Fuse - 20AATC
 00432100 - Relay
 05279100 - Clutch breakaway harness



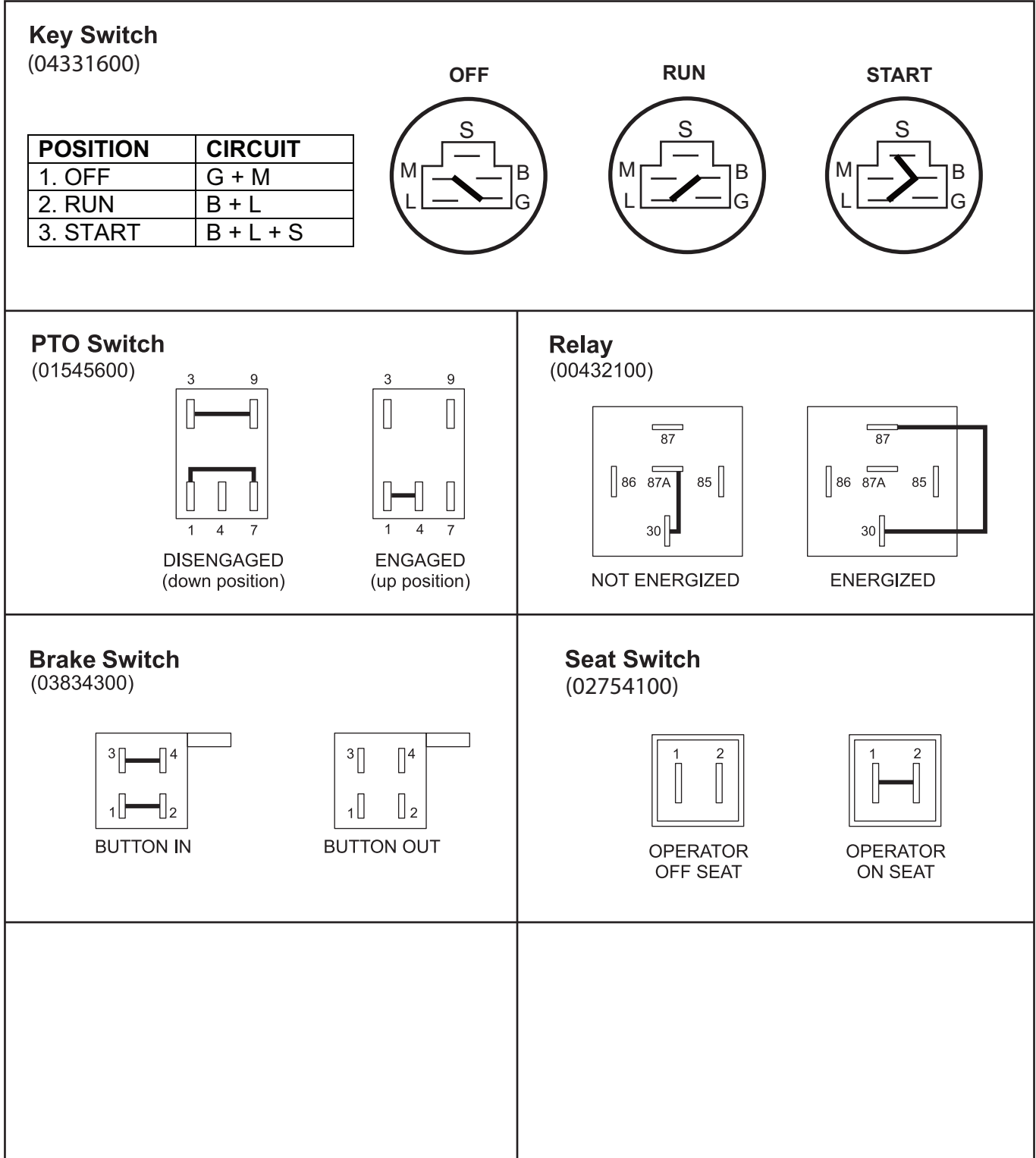
BOM ID	Number	Qty	Description
1	04787200	1	CABLE, POS W/(2) 5/16 RING 30.0 LG
2	05148800	1	HARNESS, PT100 WIRE
3	01554800	1	BATTERY, 300 CCA 10U1L
4	03288100	1	CABLE, NEGATIVE BATTERY 24"
5	03494051	1	HOLD DOWN - BLK
6	03834300	1	SWITCH, SNAP IN -N.O./N.O
7	06500805	2	NUT, WING .250-20 LOCKING
8	06916000	1	J-CLAMP
9	07001622	1	CLIP, T, .31-.38
10	07500125	4	RIVET, .25 NYLON PANEL
11	07500126	2	BUSH, PANEL SNAP .687X.875X.56
12	07500401	1	BOOT, .65 ID POS
13	07505700	1	INSULATOR
14	06401009	2	WSHR,LK-REG 0.252 X 0.062 ZCC
15	05901716	2	BLT, HEX 0.25-20X0.75 GR5 ZC120
16	05901639	1	BLT, HEX 0.25-20X1 GR5 ZC120
17	06500813	1	NUT, LK-NYL-FLG .25-20 GR5 ZC120
18	06500916	2	NUT, HEX .250-20 GR5 ZCC
19	06200424	2	BTL,RHSN .250-20 X 7.5 G5 ZCC
20	06401001	2	WSHR-FL-STL 0.281X0.625X0.065 ZC120

CONTINUITY DIAGRAM

Model All

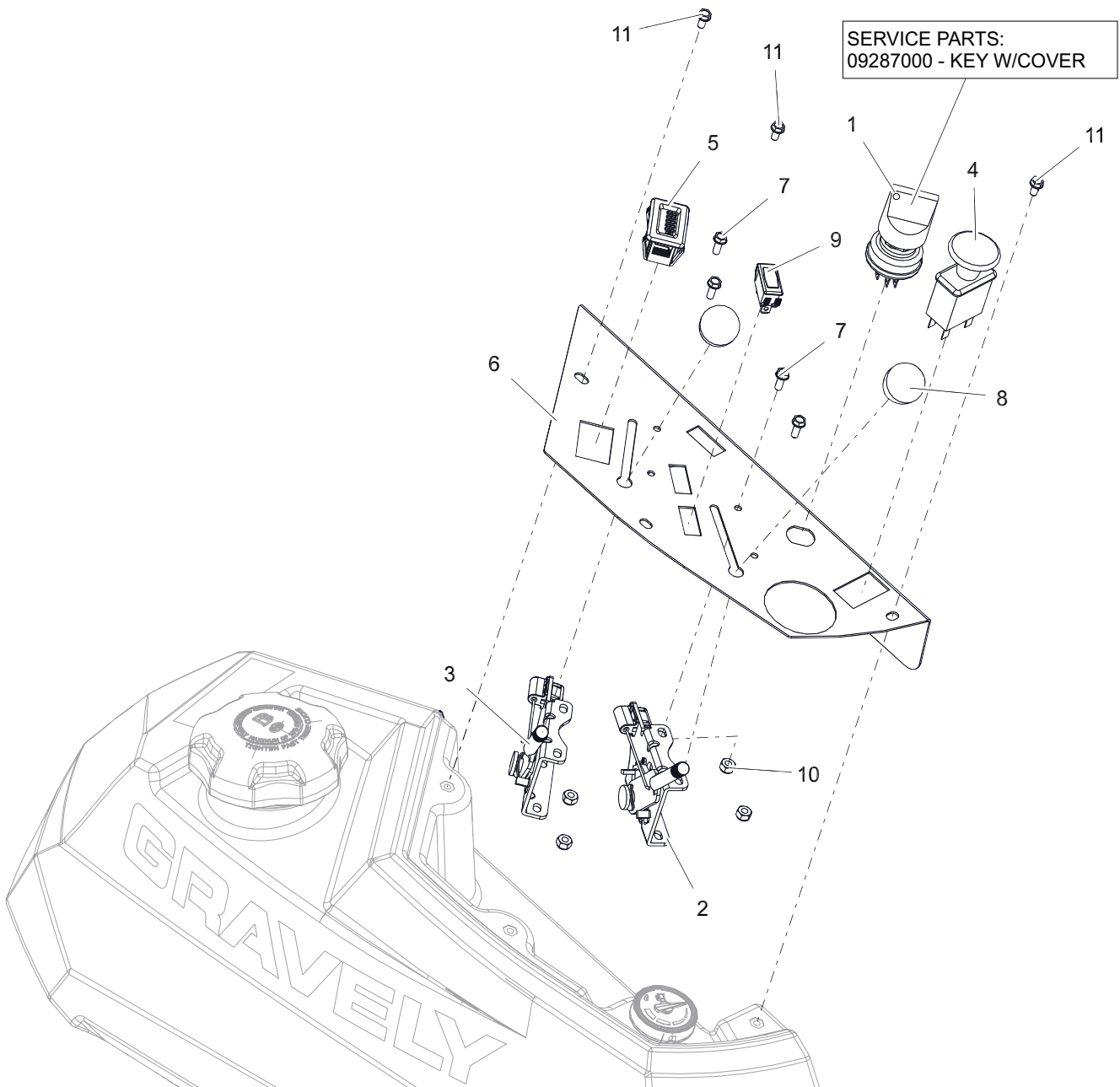
The diagrams below show the various states of connection for electrical components.
The solid lines on switches show continuity.

NOTE: All switches are viewed from the rear.



CONTROL PANEL – KAWASAKI

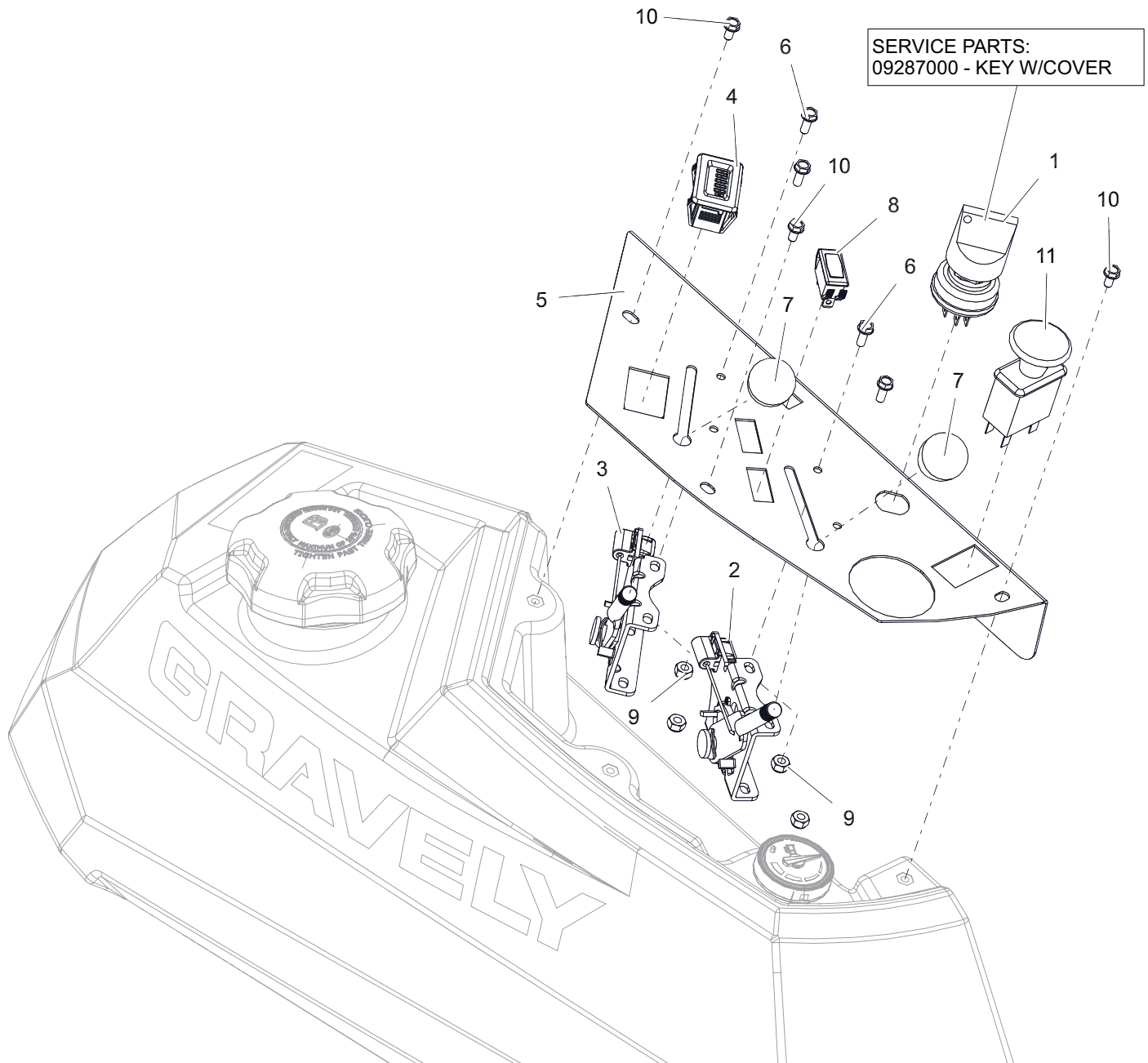
Model 991128, 129, 130



BOM ID	Number	Qty	Description
1	04331600	1	SWITCH, IGNITION
2	06900637	1	CABLE, PRO - CONTROL 28.50"
3	06900638	1	CABLE, PRO - CONTROL 31.50"
4	01545600	1	SWITCH, CLUTCH
5	09497400	1	METER, HOUR - NO PRINT
6	05067053	1	PANEL, PT100 CONTROL (RED)
7	05901825	4	SCR-MCH 10-24X.50 HWH ZCC
8	07500132	2	KNOB, CONTROL BLACK .38-16X.50
9	05128700	1	LIGHT, INDICATOR (RED)
10	06500915	4	NUT, LK-NYL #10-24 GR5 ZC120
11	06100211	3	SCR-MCH 10-24X.38 HWHSTAINLESS

CONTROL PANEL – KOHLER

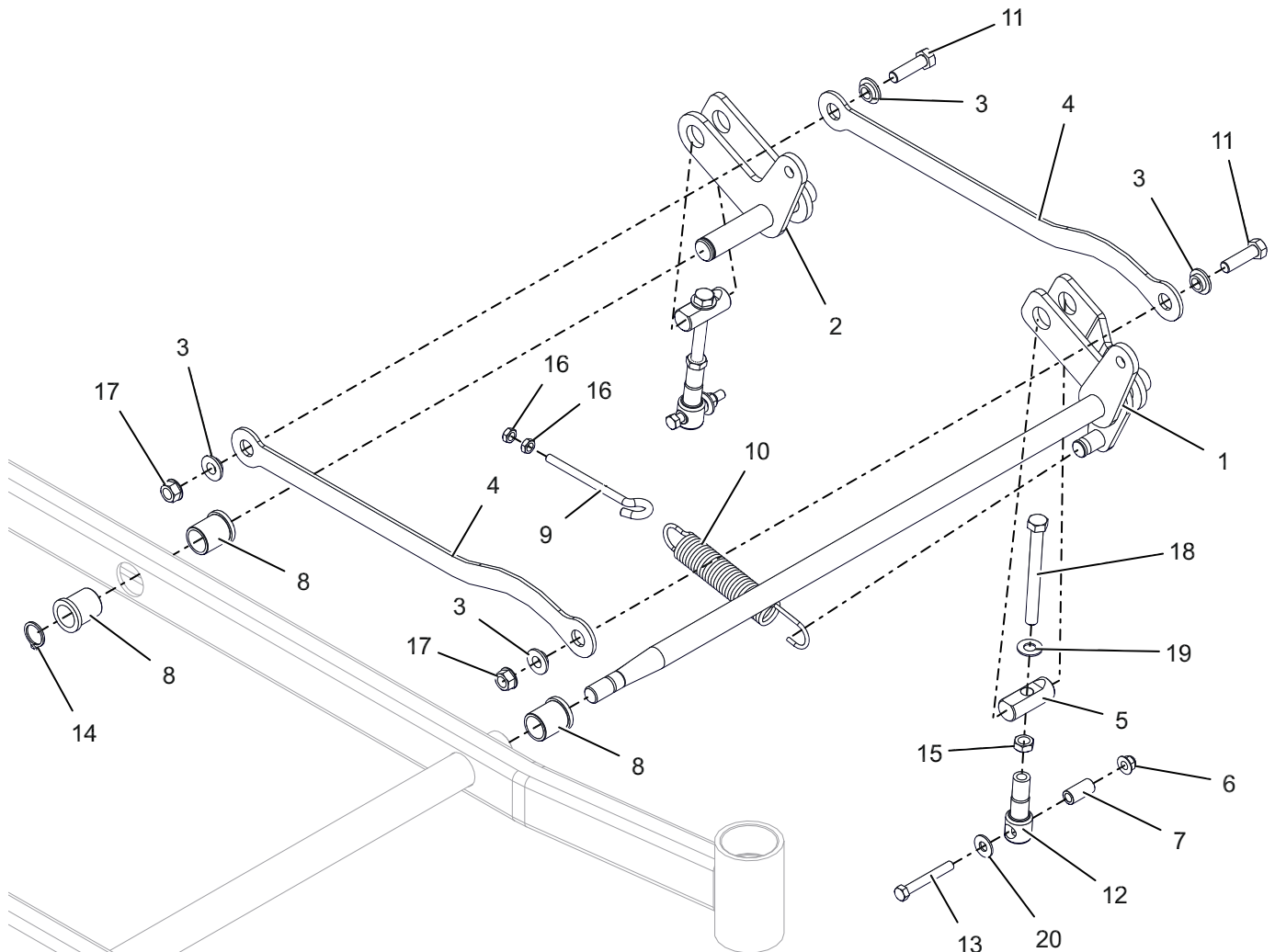
Model 991132, 133



BOM ID	Number	Qty	Description
1	04331600	1	SWITCH, IGNITION
2	06900631	1	CABLE, PRO - CONTROL 35.50"
3	06900638	1	CABLE, PRO - CONTROL 31.50"
4	09497400	1	METER, HOUR - NO PRINT
5	05067053	1	PANEL, PT100 CONTROL (RED)
6	05901825	4	SCR-MCH 10-24X.50 HWH ZCC
7	07500132	2	KNOB, CONTROL BLACK .38-16X.50
8	05128700	1	LIGHT, INDICATOR (RED)
9	06500915	4	NUT, LK-NYL #10-24 GR5 ZC120
10	06100211	3	SCR-MCH 10-24X.38 HWHSTAINLESS
11	01545600	1	SWITCH, CLUTCH

MECHANICAL DECK LIFT – LEFT HAND

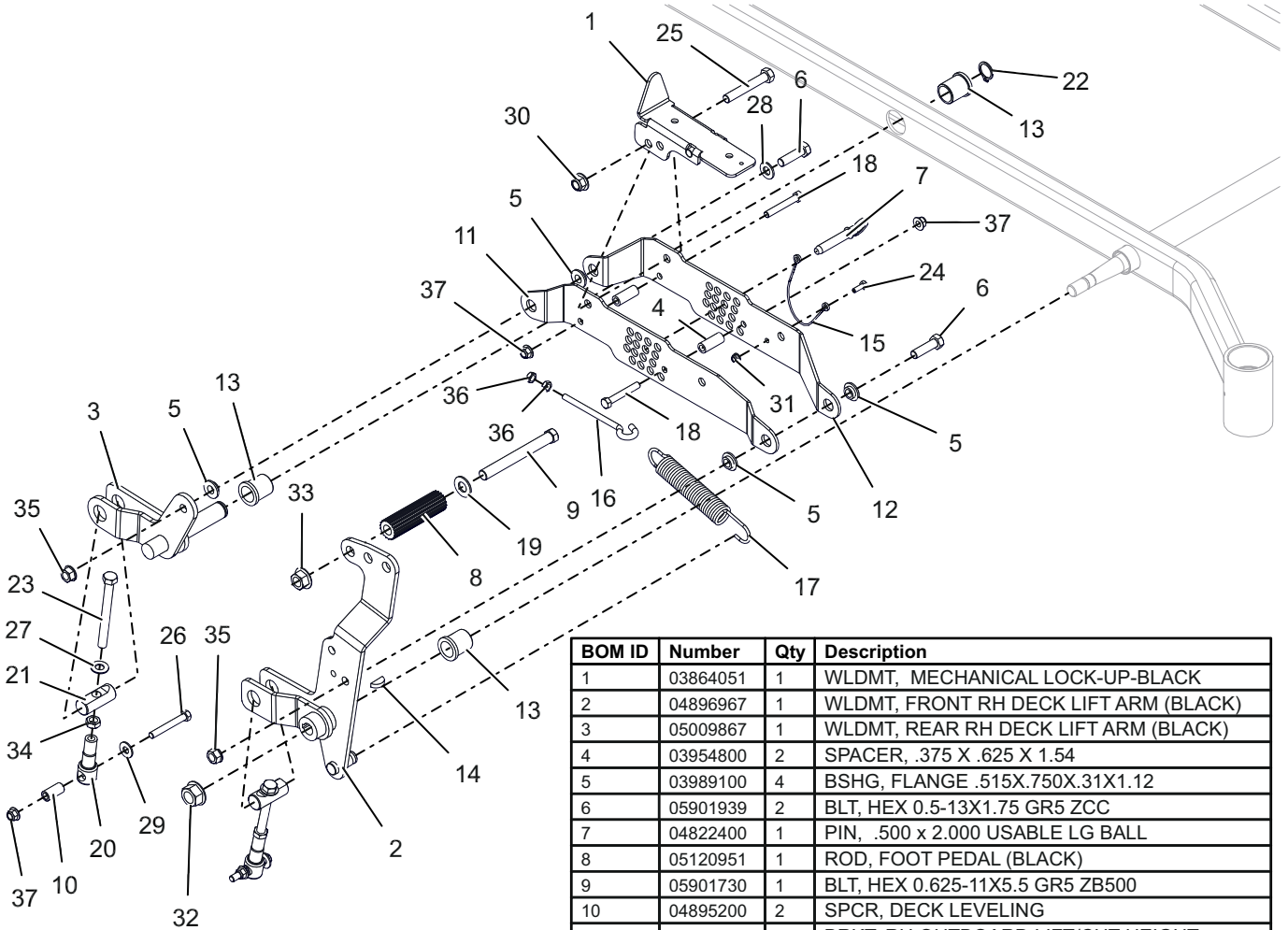
Model All



BOM ID	Number	Qty	Description
1	05009667	1	WLDMT, FRONT
2	05009700	1	WLDMT, REAR LH DECK LIFT ARM (BLACK)
3	03989100	4	BSHG, FLANGE .515X.750X.31X1.12
4	04660351	2	LINK, LIFT
5	05149500	2	PIN, DECK LIFT
6	06500726	2	NUT, LK-NYL-FLG .38-16 GR5 ZC120
7	04895200	2	SPCR, DECK LEVELING
8	05500934	3	BSHG-FLG 1.00X1.25X1.5X1.5
9	07001640	1	BOLT, EYE .38-16X6.00 .62 DIA
10	08319000	1	SPRG, TENSION .162 X 1.250 X 8.250
11	05901939	2	BLT, HEX 0.5-13X1.75 GR5 ZCC
12	05081400	2	LINK, DECK LIFT, FORMED
13	05901813	2	BLT, HEX 0.375-16X2.75 GR8 ZCC
14	05707300	1	RG-RTNG-EXT 1.00X.078
15	06500911	2	NUT, JAM .50-13 GR5 ZC120
16	06500910	2	NUT-JAM .375-16 GR2 ZCC
17	06500902	2	NUT, FLG-CTR LK .500-13 GG ZCC
18	05901925	2	BLT, HEX 0.5-13X5S GR5 ZCC
19	06401116	2	WSHR-FL-STL 0.526X1.055X0.074 HRD
20	06401008	2	WSHR-FL-STL 0.438X1X0.083 ZC120

MECHANICAL DECK LIFT – RIGHT HAND

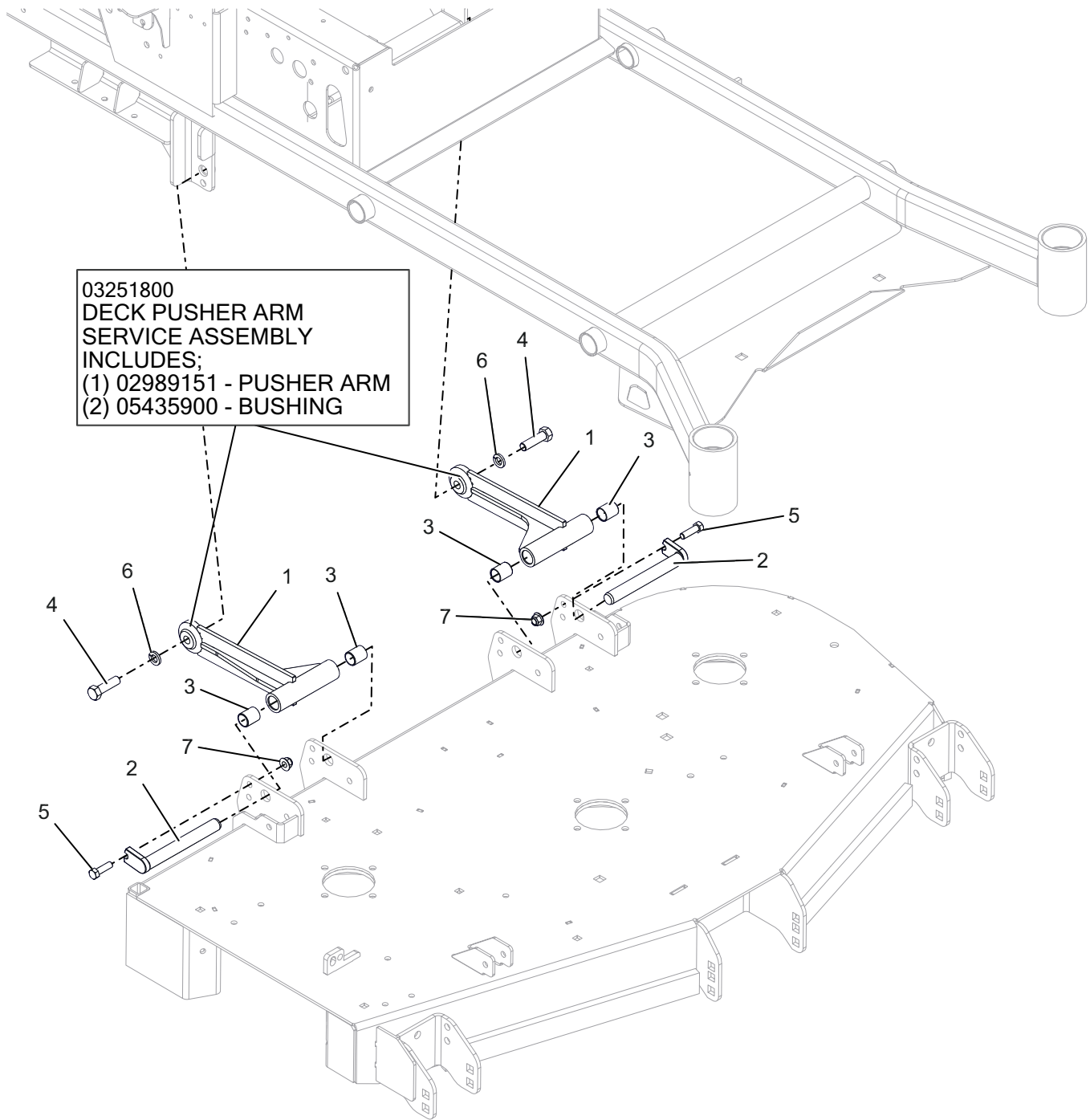
Model All



BOM ID	Number	Qty	Description
1	03864051	1	WLDMT, MECHANICAL LOCK-UP-BLACK
2	04896967	1	WLDMT, FRONT RH DECK LIFT ARM (BLACK)
3	05009867	1	WLDMT, REAR RH DECK LIFT ARM (BLACK)
4	03954800	2	SPACER, .375 X .625 X 1.54
5	03989100	4	BSHG, FLANGE .515X.750X.31X1.12
6	05901939	2	BLT, HEX 0.5-13X1.75 GR5 ZCC
7	04822400	1	PIN, .500 x 2.000 USABLE LG BALL
8	05120951	1	ROD, FOOT PEDAL (BLACK)
9	05901730	1	BLT, HEX 0.625-11X5.5 GR5 ZB500
10	04895200	2	SPCR, DECK LEVELING
11	05009451	1	BRKT, RH OUTBOARD LIFT/CUT HEIGHT
12	05009551	1	BRKT, RH INBOARD LIFT/CUT HEIGHT (BLACK)
13	05500934	3	BSHG-FLG 1.00X1.25X1.5X1.5
14	06608900	1	KEY, WDRF .25 X 1.00 HRD #15
15	06900317	1	LANYARD, 12"
16	07001640	1	BOLT, EYE .38-16X6.00 .62 DIA
17	08319000	1	SPRG, TENSION .162 X 1.250 X 8.250
18	05901812	2	BLT, HEX 0.375-16X2.5 GR5 ZCC
19	06401039	1	WSHR-FL-STL 0.656X1.312X0.095 RIE5230
20	05081400	2	LINK, DECK LIFT, FORMED
21	05149500	2	PIN, DECK LIFT
22	05707300	1	RG-RTNG-EXT 1.00X.078
23	05901925	2	BLT, HEX 0.5-13X5S GR5 ZCC
24	05901716	1	BLT, HEX 0.25-20X0.75 GR5 ZC120
25	05901634	1	BLT, HEX 0.5-13X3.25 GR5 ZC120
26	05901813	2	BLT, HEX 0.375-16X2.75 GR8 ZCC
27	06401116	2	WSHR-FL-STL 0.526X1.055X0.074 HRD
28	06401015	1	WSHR-FL-STL 0.531X1.062X0.095 ZC120
29	06401008	2	WSHR-FL-STL 0.438X1X0.083 ZC120
30	06500810	1	NUT, LK-NYL-FLG .50-13 GR5 ZC120
31	06500813	1	NUT, LK-NYL-FLG .25-20 GR5 ZC120
32	06500931	1	NUT,FLG-TOP LK .625-11 FBP
33	06500835	1	NUT,FLG-TOP LK .625-11 FBP
34	06500911	2	NUT, JAM .50-13 GR5 ZC120
35	06500902	2	NUT, FLG-CTR LK .500-13 GG ZCC
36	06500910	2	NUT-JAM .375-16 GR2 ZCC
37	06500726	4	NUT, LK-NYL-FLG .38-16 GR5 ZC120

DECK MOUNT

Model All

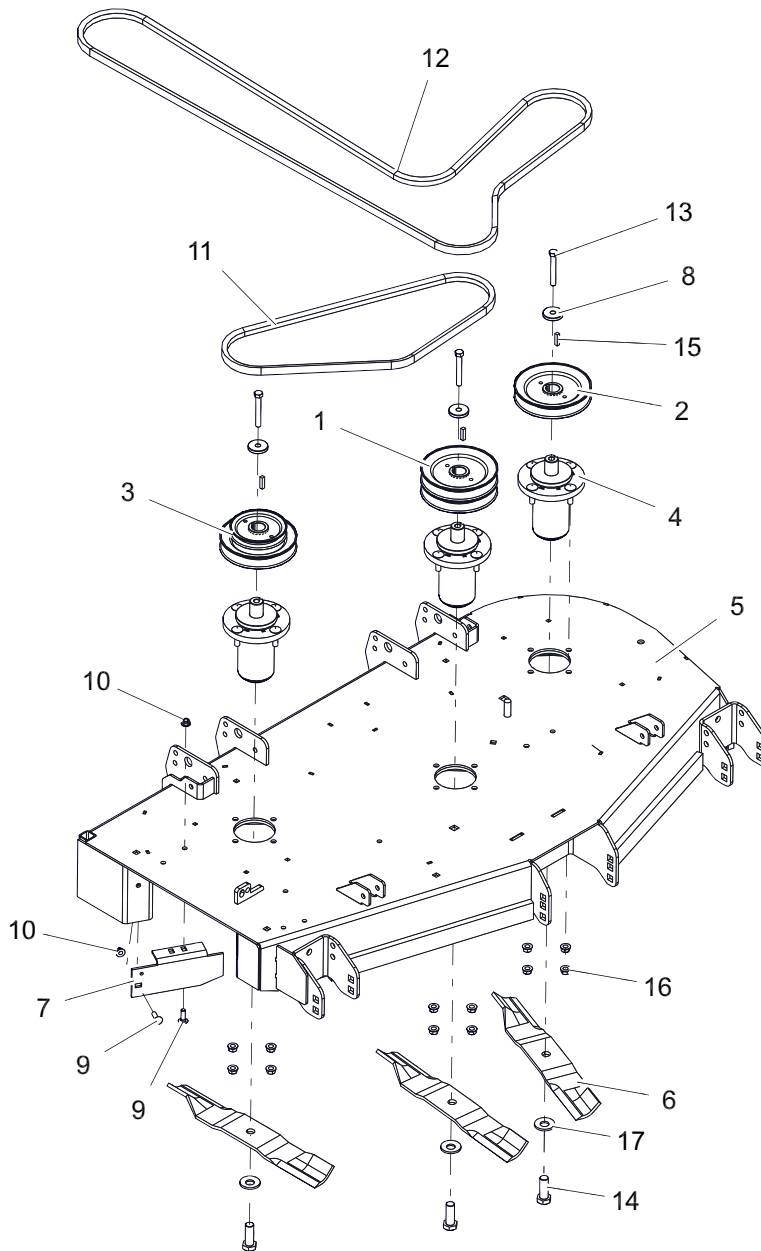


03251800
DECK PUSHER ARM
SERVICE ASSEMBLY
INCLUDES;
(1) 02989151 - PUSHER ARM
(2) 05435900 - BUSHING

BOM ID	Number	Qty	Description
1	02989151	2	DECK PUSHER ARM WLDMT - BLK
2	05157900	2	PIN, DECK MTG
3	05435900	4	BRG, .750 X .875 X 1.000
4	05901922	2	BLT, HEX 0.5-13X1.75 GR5 ZCC EP80
5	05901724	2	BLT, HEX 0.375-16X1.25 GR5 ZC120
6	06300115	2	WSHR,LK-REG 0.502 X 0.125 ZCC
7	06500726	2	NUT, LK-NYL-FLG .38-16 GR5 ZC120

DECK, BELTS, BAFFLE, BLADES AND SPINDLES – 48"

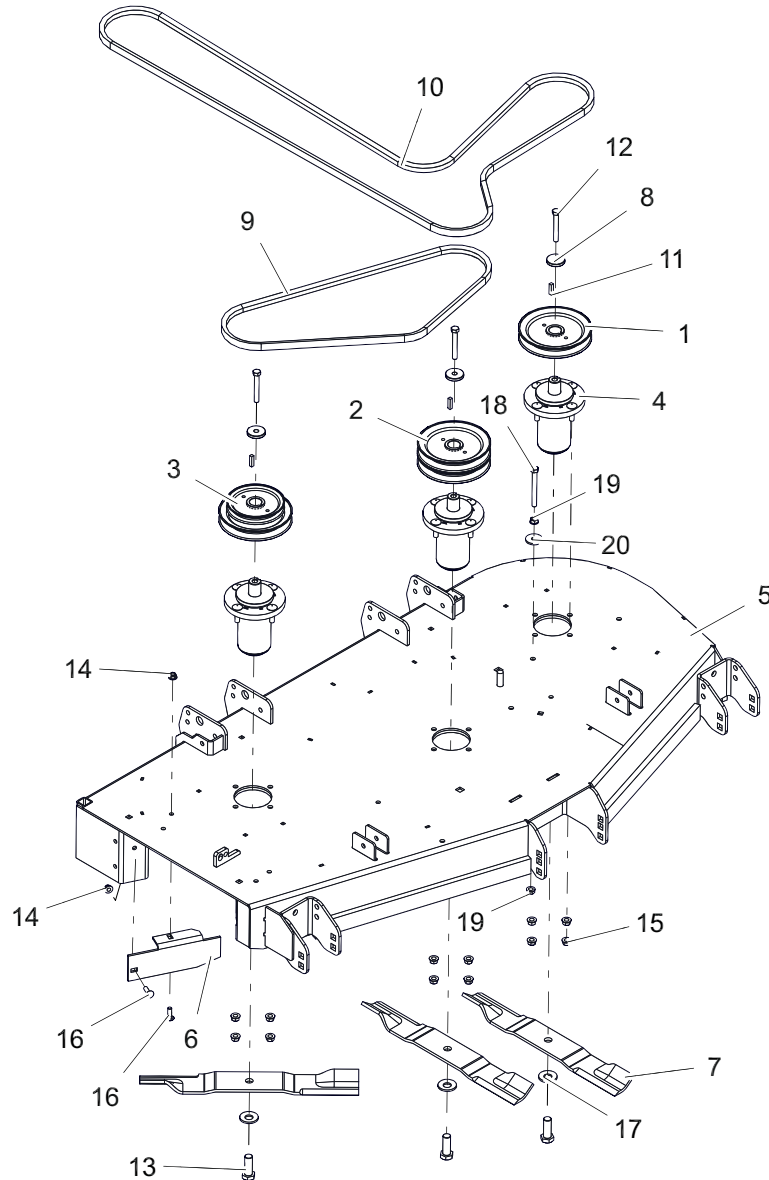
Model 991128



BOM ID	Number	Qty	Description
1	07329200	1	PULLEY, DOUBLE 1.000 ID X 5.750 OD
2	07329300	1	PULLEY, V - 1.000 ID X 5.750 OD
3	07340200	1	PULLEY, DOUBLE -1" ID X 5.75" & 4.25" OD
4	58810800	3	ASM, ALUM SPINDLE
5	59117000	1	WLDMT, PT148 SIDE DISCH DECK (RED)
6	00450200	3	BLADE, 16.19" MOWER (HI-LIFT)
7	00451653	1	BAFFLE, 44-48" SIDE DISCHARGE
8	04530500	3	RETAINER, SHEAVE SPINDLE
9	06200231	2	BTL,RHSN .313-18 X 1 G5 ZCC
10	06500809	2	NUT, LK-NYL-FLG .31-18 GR5 ZC120
11	07200035	1	V-BELT, B-COGGED
12	07200809	1	V-BELT, B RAW EDGE EPDM
13	05901813	3	BLT, HEX 0.375-16X2.75 GR8 ZCC
14	05901822	3	BLT, HEX 0.625-18X1.75 GR8 ZCC
15	06611200	3	KEY-SQ .250X.250X1.00 RC 40-50
16	06500901	12	NUT, FLG-CTR LK .375-16 GR5 ZC120
17	06445700	3	WSHR, BLVL-.63X1.625X.14

DECK, BELTS, BAFFLE, BLADES AND SPINDLES – 52"

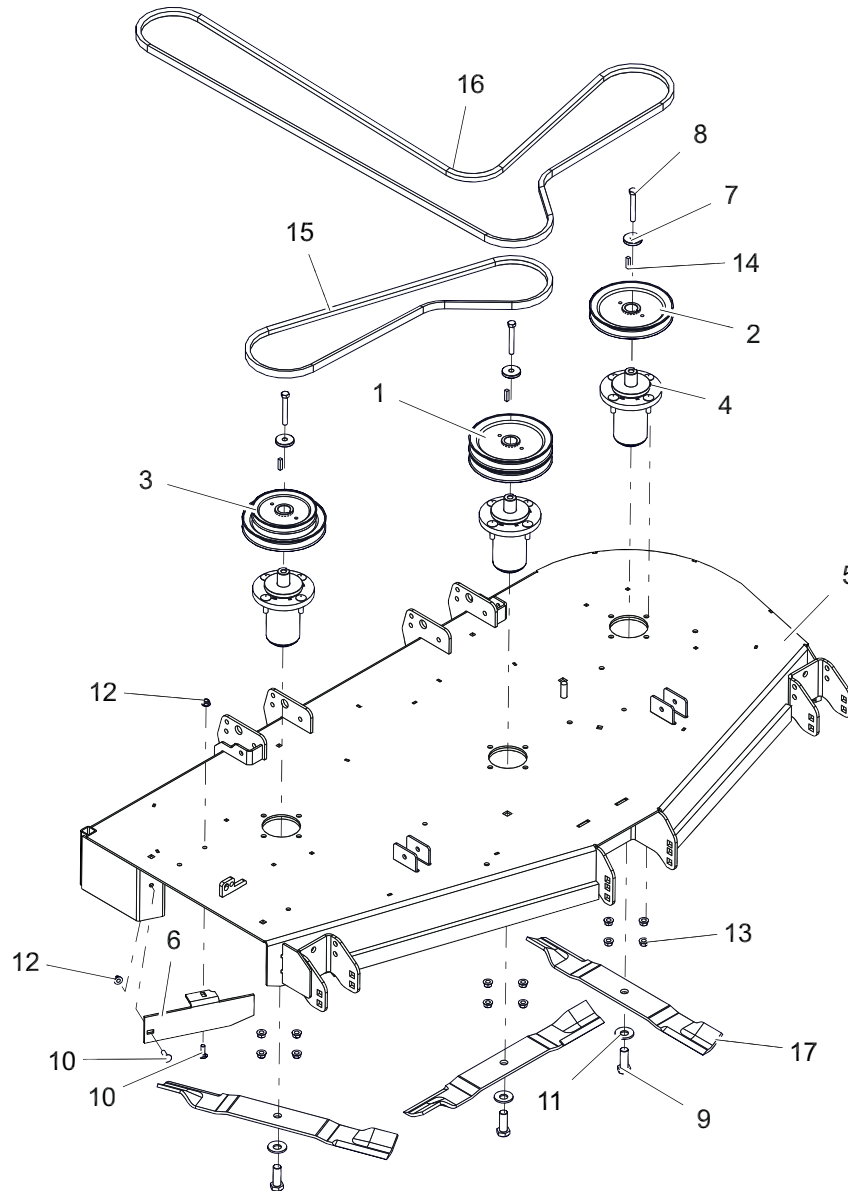
Model 991129, 132



BOM ID	Number	Qty	Description
1	07332100	1	PULLEY, SINGLE -1.000 ID X 6.000 OD
2	07332300	1	PULLEY, DOUBLE 1.000 ID X 6.000 OD
3	07340300	1	PULLEY, DOUBLE -1" ID X 6.00" & 4.75" OD
4	58810800	3	ASM, ALUM SPINDLE
5	59117100	1	WLDMT, PT152 SIDE DISCH DECK (RED)
6	00440853	1	BAFFLE, 52" DISCHARGE-RED
7	00450300	3	BLADE, MOWER - 18.00" (HI-LIFT)
8	04530500	3	RETAINER, SHEAVE SPINDLE
9	07200036	1	BELT, B 56.00 RAW COGGED
10	07200706	1	V-BELT, B SECTION RAW EDGE
11	06611200	3	KEY-SQ .250X.250X1.00 RC 40-50
12	05901813	3	BLT, HEX 0.375-16X2.75 GR8 ZCC
13	05901822	3	BLT, HEX 0.625-18X1.75 GR8 ZCC
14	06500809	2	NUT, LK-NYL-FLG .31-18 GR5 ZC120
15	06500901	12	NUT, FLG-CTR LK .375-16 GR5 ZC120
16	06200231	2	BTL,RHSN .313-18 X 1 G5 ZCC
17	06445700	3	WSHR, BLVL-.63X1.625X.14
18	05901818	1	BLT, HEX 0.375-16X3.5 GR5 ZCC
19	06500735	2	NUT, FLG-SPNLK .375-16 GR5 ZC120
20	06401121	1	WSHR-FL-STL 0.406X1.375X0.135 ZCC

DECK, BELTS, BAFFLE, BLADES AND SPINDLES – 60"

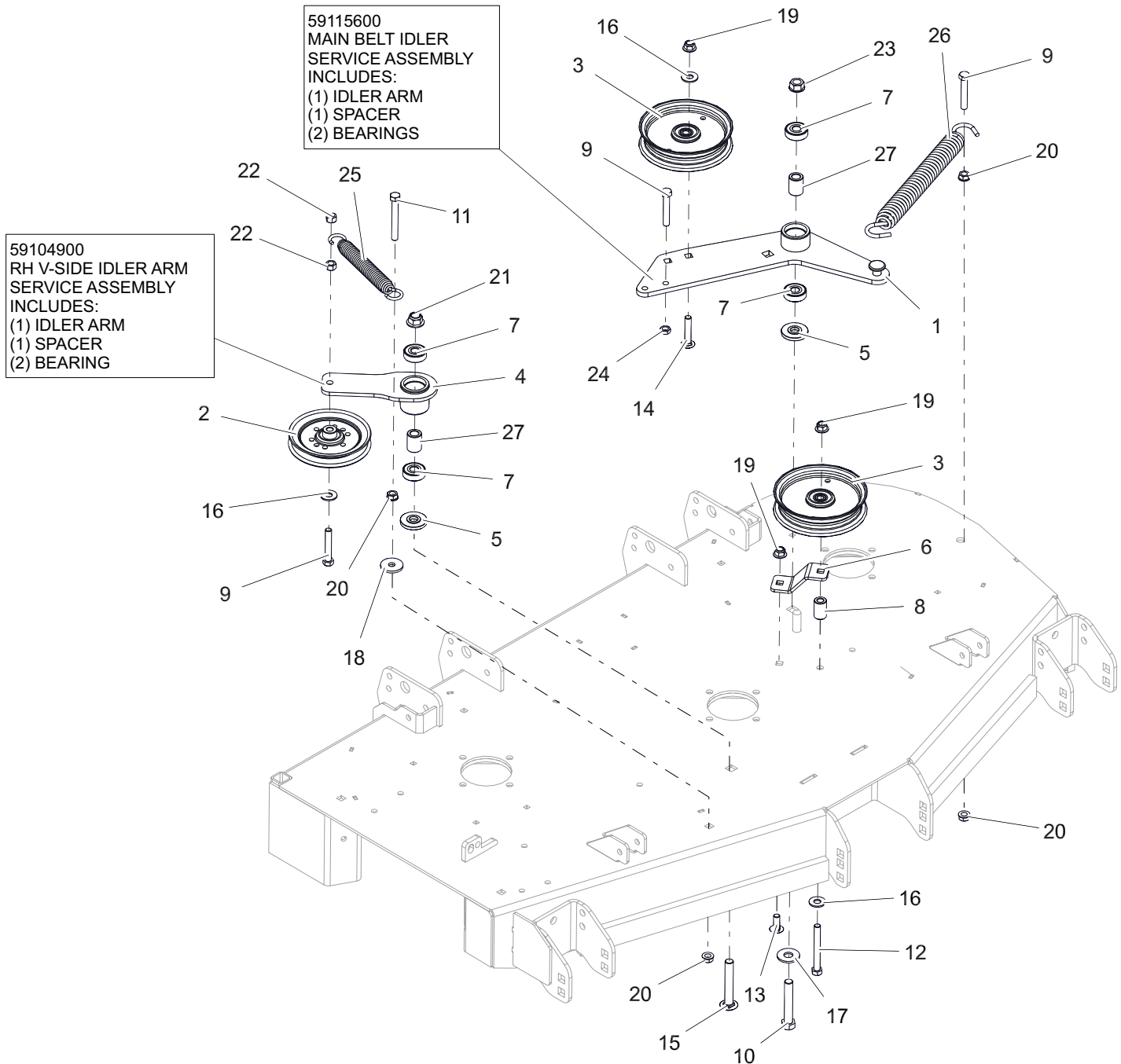
Model 991130, 133



BOM ID	Number	Qty	Description
1	07328800	1	PULLEY, DOUBLE 1.000 ID X 6.750 OD
2	07328900	1	PULLEY, V-1.000 ID X 6.750 OD
3	07340400	1	PULLEY, DOUBLE -1" ID X 6.75" & 5.25" OD
4	58810800	3	ASM, ALUM SPINDLE
5	59117200	1	WLDMT, PT160 SIDE DISCH DECK (RED)
6	00374153	1	BAFFLE, 60" DISCHARGE
7	04530500	3	RETAINER, SHEAVE SPINDLE
8	05901813	3	BLT, HEX 0.375-16X2.75 GR8 ZCC
9	05901822	3	BLT, HEX 0.625-18X1.75 GR8 ZCC
10	06200231	2	BTL,RHSN .313-18 X 1 G5 ZCC
11	06445700	3	WSHR, BLVL-.63X1.625X.14
12	06500809	2	NUT, LK-NYL-FLG .31-18 GR5 ZC120
13	06500901	12	NUT, FLG-CTR LK .375-16 GR5 ZC120
14	06611200	3	KEY-SQ .250X.250X1.00 RC 40-50
15	07200038	1	V-BELT, B-COGGED
16	07200712	1	V-BELT, HB-WRAPPED
17	09081200	3	BLADE, MOWER (20.50")

DECK IDLERS – 48 & 52"

Model 991128, 129, 132

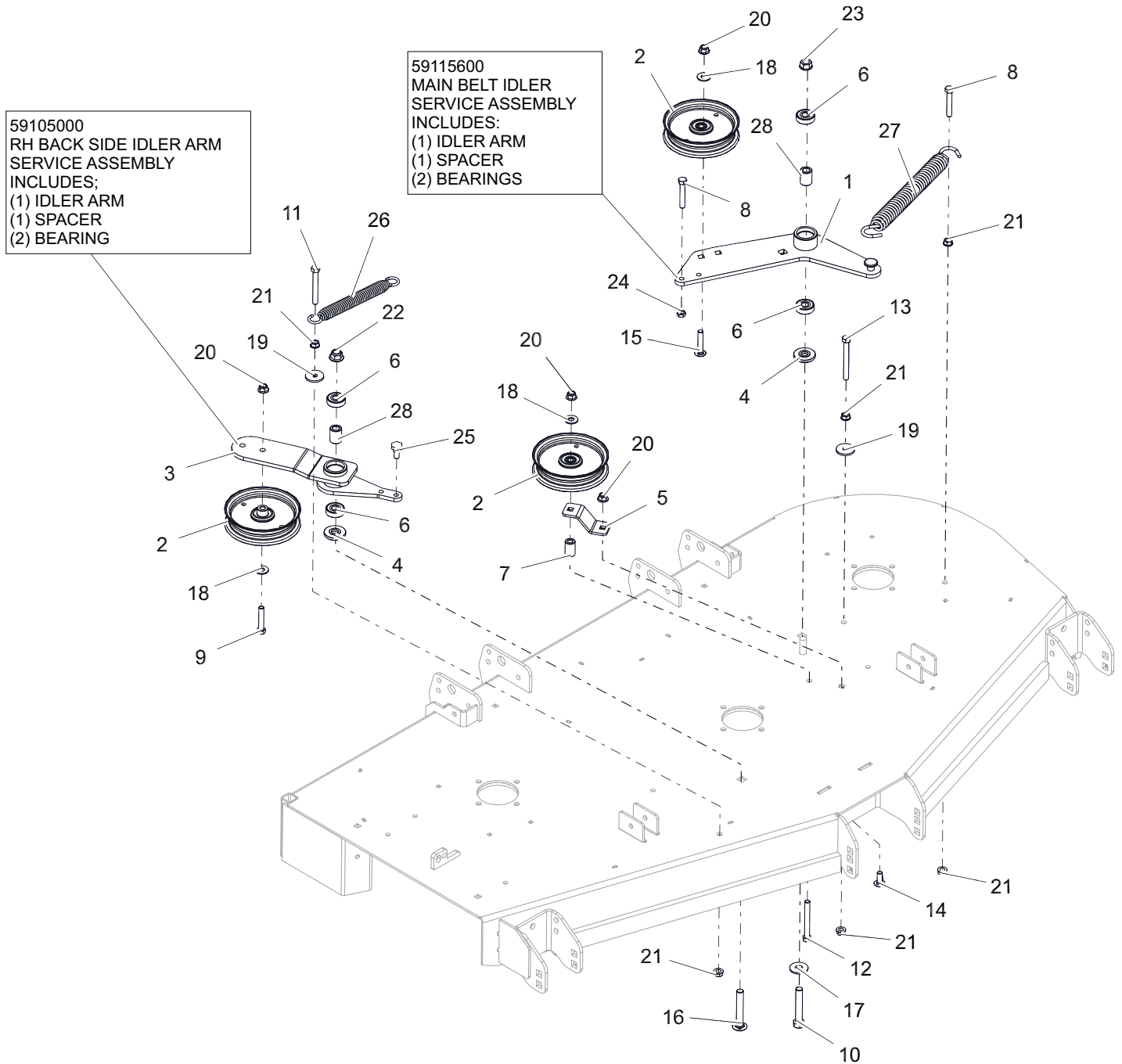


BOM ID	Number	Qty	Description
1	04985600	1	WLDMT, DECK PTO IDLR ARM
2	07351800	1	IDLER, V, 5.00X.38
3	07351200	2	IDLER, FLAT - .500 X .75
4	09357200	1	WLDMT, DECK RH IDLER ARM
5	04714600	2	SPACER FLANGED ARM
6	04981853	1	BRKT, PTO FIXED IDLER MTG
7	05408000	4	BRG-BALL .500X1.375X.44
8	05501308	1	BUSHING SLEEVED .380 X .750 X 1.190
9	05901640	3	BLT, HEX 0.375-16X2.25 GR5 ZC120
10	05901737	1	BLT, HEX 0.5-13X3 GR5 ZCC
11	05901814	1	BLT, HEX 0.375-16X3 GR5 ZCC
12	05901817	1	BLT, HEX 0.375-16X3.25 GR5 ZCC
13	06200235	1	BTL,RHSSN .375-16 X 1 G5 ZCC
14	06200323	1	BTL,RHSSN .375-16 X 2 G5 ZCC

BOM ID	Number	Qty	Description
15	06200339	1	BTL,RHSSN .500-13 X 3.25 G5 ZCC
16	06401008	3	WSHR-FL-STL 0.438X1X0.083 ZC120
17	06401012	1	WSHR-FL-STL 0.563X1.375X0.109 ZC120
18	06401121	1	WSHR-FL-STL 0.406X1.375X0.135 ZCC
19	06500726	3	NUT, LK-NYL-FLG .38-16 GR5 ZC120
20	06500735	4	NUT, FLG-SPNLK .375-16 GR5 ZC120
21	06500810	1	NUT, LK-NYL-FLG .50-13 GR5 ZC120
22	06500825	2	NUT, HEX-CTR LK .375-16 GR5 ZCC
23	06500902	1	NUT, FLG-CTR LK .500-13 GF ZCC
24	06500910	1	NUT-JAM .375-16 GR2 ZCC
25	08300728	1	SPRG, EXTENSION - SWIVEL
26	08300708	1	SPRG, EXTENSION
27	09357700	2	SPACER SLEEVED SPACER, .510 X .867 X 1.148

DECK IDLERS - 60"

Model 991130, 133

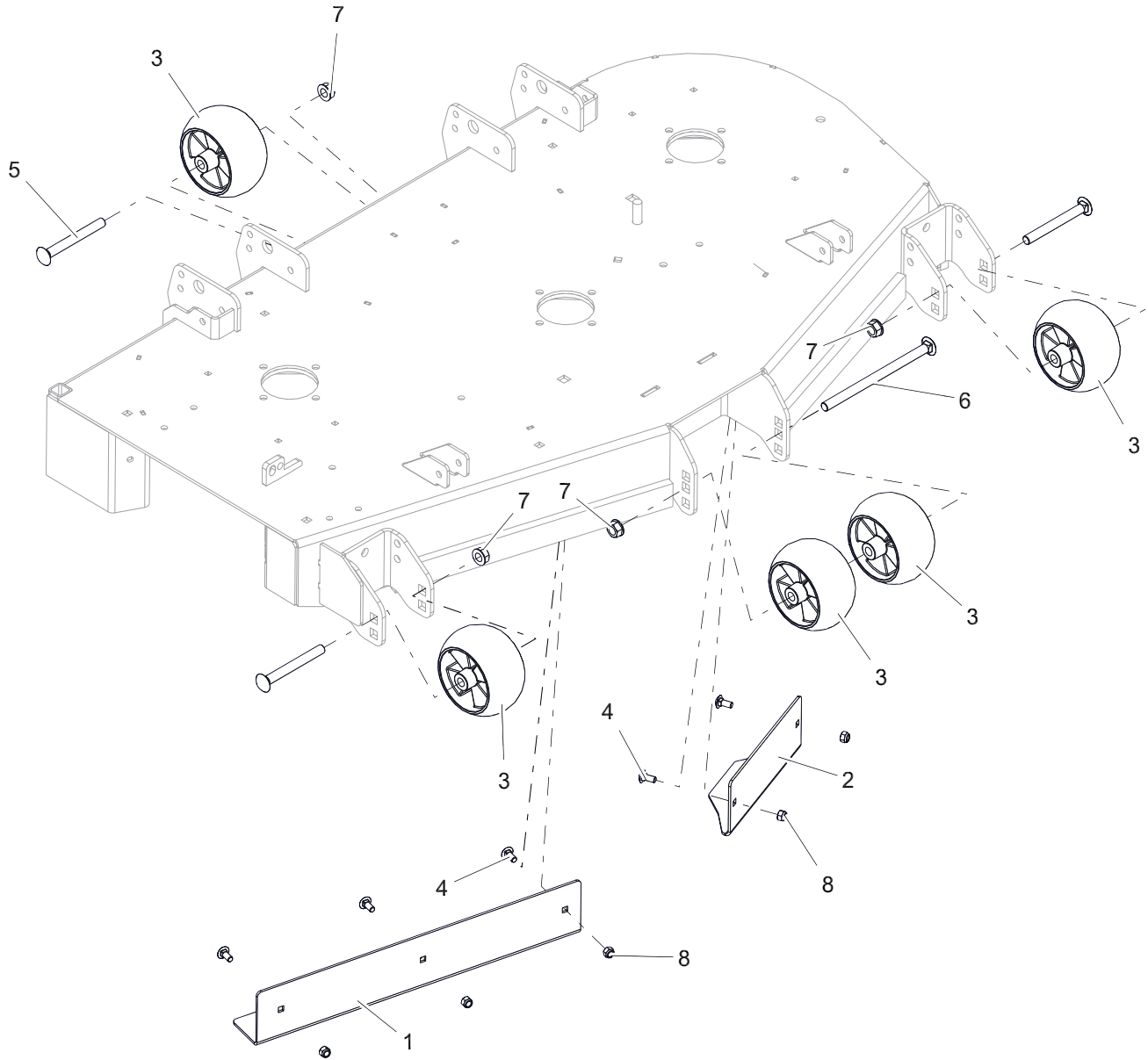


BOM ID	Number	Qty	Description
1	04985600	1	WLDMT, DECK PTO IDLR ARM
2	07351200	3	IDLER, FLAT - .500 X .75
3	09357600	1	WLDMT, DECK RH IDLER ARM
4	04714600	2	SPACER FLANGED ARM
5	04981853	1	BRKT, PTO FIXED IDLER MTG
6	05408000	4	BRG-BALL .500X1.375X.44
7	05501308	1	BUSHING SLEEVED .380 X .750 X 1.190
8	05901640	2	BLT, HEX 0.375-16X2.25 GR5 ZC120
9	05901718	1	BLT, HEX 0.375-16X2 GR5 ZC120
10	05901737	1	BLT, HEX 0.5-13X3 GR5 ZCC
11	05901814	1	BLT, HEX 0.375-16X3 GR5 ZCC
12	05901817	1	BLT, HEX 0.375-16X3.25 GR5 ZCC
13	05901818	1	BLT, HEX 0.375-16X3.5 GR5 ZCC
14	06200235	1	BTL,RHSSN .375-16 X 1 G5 ZCC
15	06200323	1	BTL,RHSSN .375-16 X 2 G5 ZCC

BOM ID	Number	Qty	Description
16	06200339	1	BTL,RHSSN .500-13 X 3.25 G5 ZCC
17	06401012	1	WSHR-FL-STL 0.563X1.375X0.109 ZC120
18	06401008	3	WSHR-FL-STL 0.438X1X0.083 ZC120
19	06401121	2	WSHR-FL-STL 0.406X1.375X0.135 ZCC
20	06500726	4	NUT, LK-NYL-FLG .38-16 GR5 ZC120
21	06500735	6	NUT, FLG-SPNLK .375-16 GR5 ZC120
22	06500810	1	NUT, LK-NYL-FLG .50-13 GR5 ZC120
23	06500902	1	NUT, FLG-CTR LK .500-13 GF ZCC
24	06500910	1	NUT-JAM .375-16 GR2 ZCC
25	07000034	1	BLT, SHLDR EP .38-16X.30 HEX
26	08300728	1	SPRG, EXTENSION - SWIVEL
27	08300708	1	SPRG, EXTENSION
28	09357700	2	SPACER SLEEVED SPACER, .510 X .867 X 1.148

ANTI-SCALP WHEELS – 48"

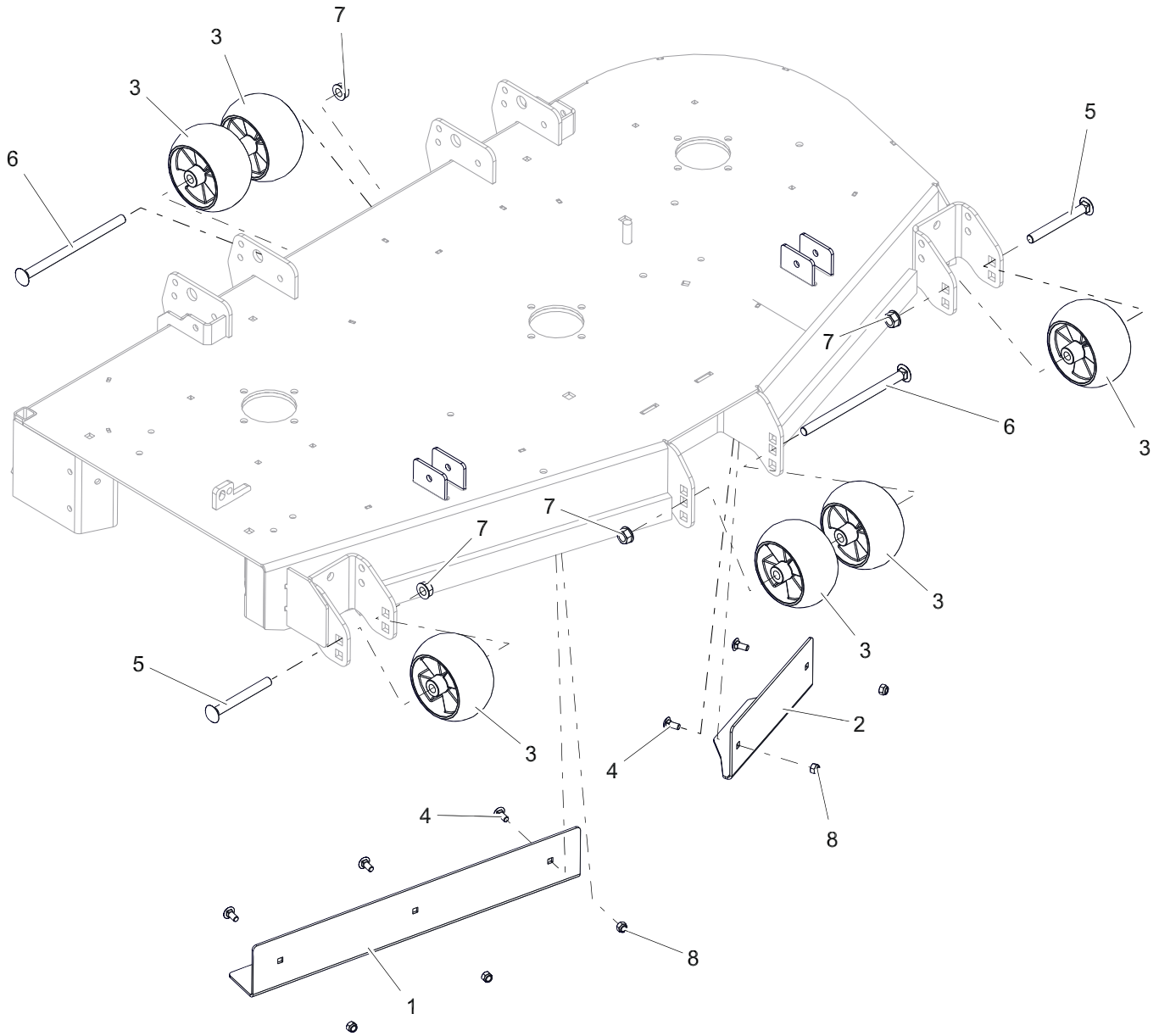
Model 991128



BOM ID	Number	Qty	Description
1	05251553	1	BAFFLE, 48" RH VACUUM (RED)
2	05251653	1	BAFFLE, 44/48" LH VACUUM (RED)
3	05268800	5	WHEEL, ANTI SCALP - 5X3 CTR W/RIBS
4	06200232	5	BTL,RHSN .313-18 X 0.75 G5 ZCC
5	06200505	3	BOLT, BOLT, RHNS .50-13X4.50 G5 ZCC NS
6	06200506	1	BOLT, RHNS .50-13X8.00 G5 ZCC NS
7	06500902	4	NUT, FLG-CTR LK .500-13 GF ZCC
8	06500820	5	NUT, LK-NYL .31-18 GR5 ZC120

ANTI-SCALP WHEELS – 52"

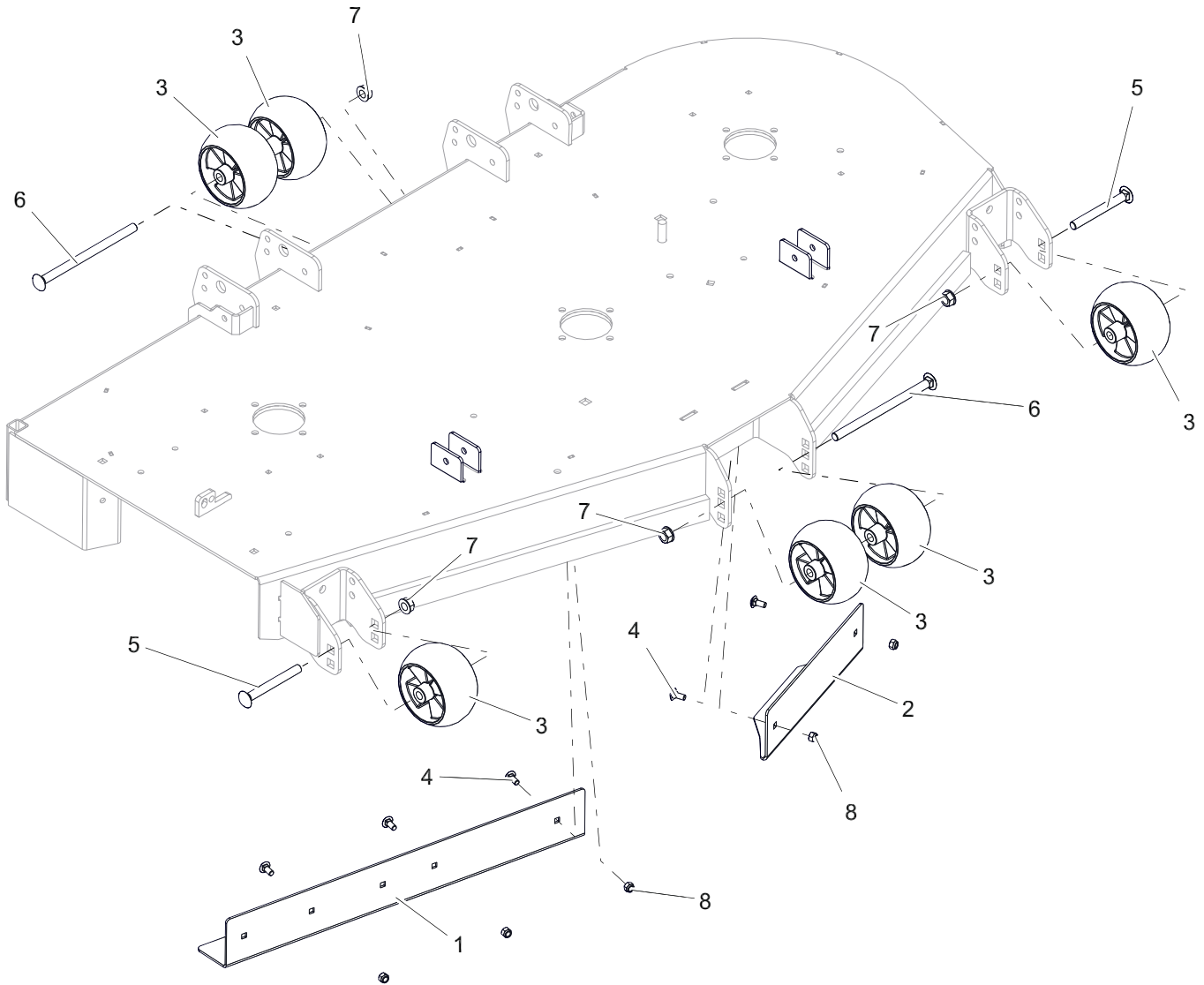
Model 991129, 132



BOM ID	Number	Qty	Description
1	05251753	1	BAFFLE, 52" RH VACUUM (RED)
2	05251853	1	BAFFLE, 52" LH VACUUM (RED)
3	05268800	6	WHEEL, ANTI SCALP - 5X3 CTR W/RIBS
4	06200232	5	BTL,RHSN .313-18 X 0.75 G5 ZCC
5	06200505	2	BOLT, BOLT, RHNS .50-13X4.50 G5 ZCC NS
6	06200506	2	BOLT, RHNS .50-13X8.00 G5 ZCC NS
7	06500902	4	NUT, FLG-CTR LK .500-13 GF ZCC
8	06500820	5	NUT, LK-NYL .31-18 GR5 ZC120

ANTI-SCALP WHEELS – 60"

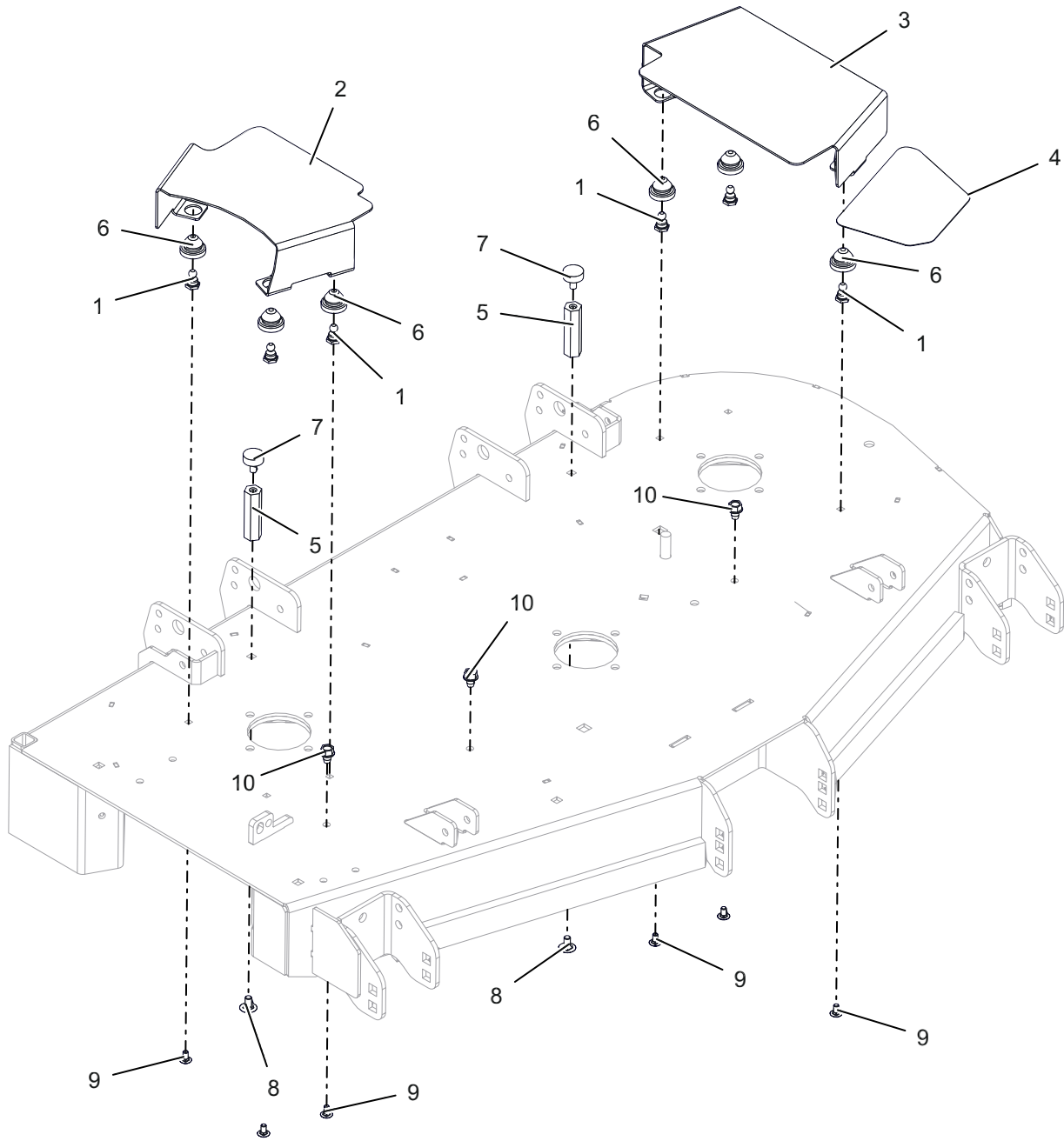
Model 991130, 133



BOM ID	Number	Qty	Description
1	05251953	1	BAFFLE, 60" RH VACUUM (RED)
2	05252053	1	BAFFLE, 60" LH VACUUM (RED)
3	05268800	6	WHEEL, ANTI SCALP - 5X3 CTR W/RIBS
4	06200232	5	BTL,RHSN .313-18 X 0.75 G5 ZCC
5	06200505	2	BOLT, BOLT, RHNS .50-13X4.50 G5 ZCC NS
6	06200506	2	BOLT, RHNS .50-13X8.00 G5 ZCC NS
7	06500902	4	NUT, FLG-CTR LK .500-13 GF ZCC
8	06500820	5	NUT, LK-NYL .31-18 GR5 ZC120

GUARDS

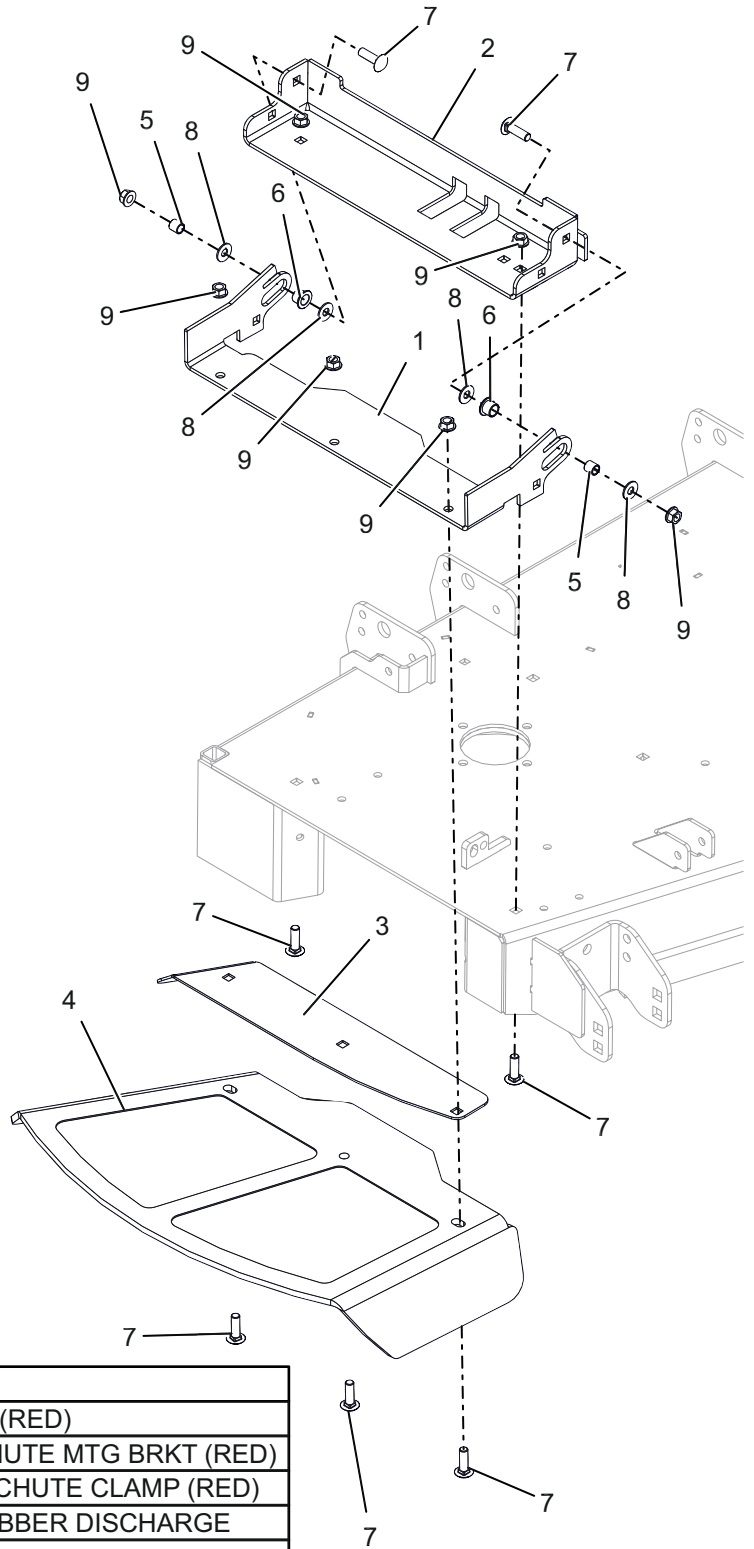
Model All



BOM ID	Number	Qty	Description
1	05275900	6	STUD, BALL FEMALE .250-20 THREAD
2	05276153	1	GUARD, RH DECK BELT (RED)
3	05286253	1	GUARD, LH DECK BELT (RED)
4	05286500	1	GRIP, STEP ANTI SKID
5	07001812	2	NUT, COUPLING
6	07500429	6	COUPLING, RUBBER PUSH-IN
7	07533600	2	BUMPER, RUBBER
8	06200333	2	BTL,RHSSN .313-18 X 0.625 G5 ZCC
9	06200305	6	BTL,RHSSN .250-20 X 0.5 G5 ZCC
10	07400126	3	SCR-TAP .38-16X.500 HWH ZCC

DISCHARGE CHUTE

Model All



BOM ID	Number	Qty	Description
1	05270053	1	BRKT, CHUTE MOUNT (RED)
2	59116100	1	BASE, DISCHARGE CHUTE MTG BRKT (RED)
3	04873753	1	PLATE, 48-60" DISCH CHUTE CLAMP (RED)
4	05269900	1	CHUTE, FORMED RUBBER DISCHARGE
5	05501407	2	SPCR, .385X.500X.350
6	05501409	2	BSHG, FLANGED .50X.625X.50X.062
7	06200236	7	BTL,RHSSN .375-16 X 1.25 G5 ZCC
8	06401138	4	WSHR, HDND 0.375X0.875X0.064 ZCC
9	06500901	7	NUT, FLG-CTR LK .375-16 GR5 ZC120



655 West Ryan Street
Brillion, WI 54110

gravelly.com



ARIENS|CO