



Pro-Turn Z

Parts Manual

Models:

991280 – Pro-Turn Z 48"
(SN 000101 +)

991282 – Pro-Turn Z 52"
(SN 000101 +)

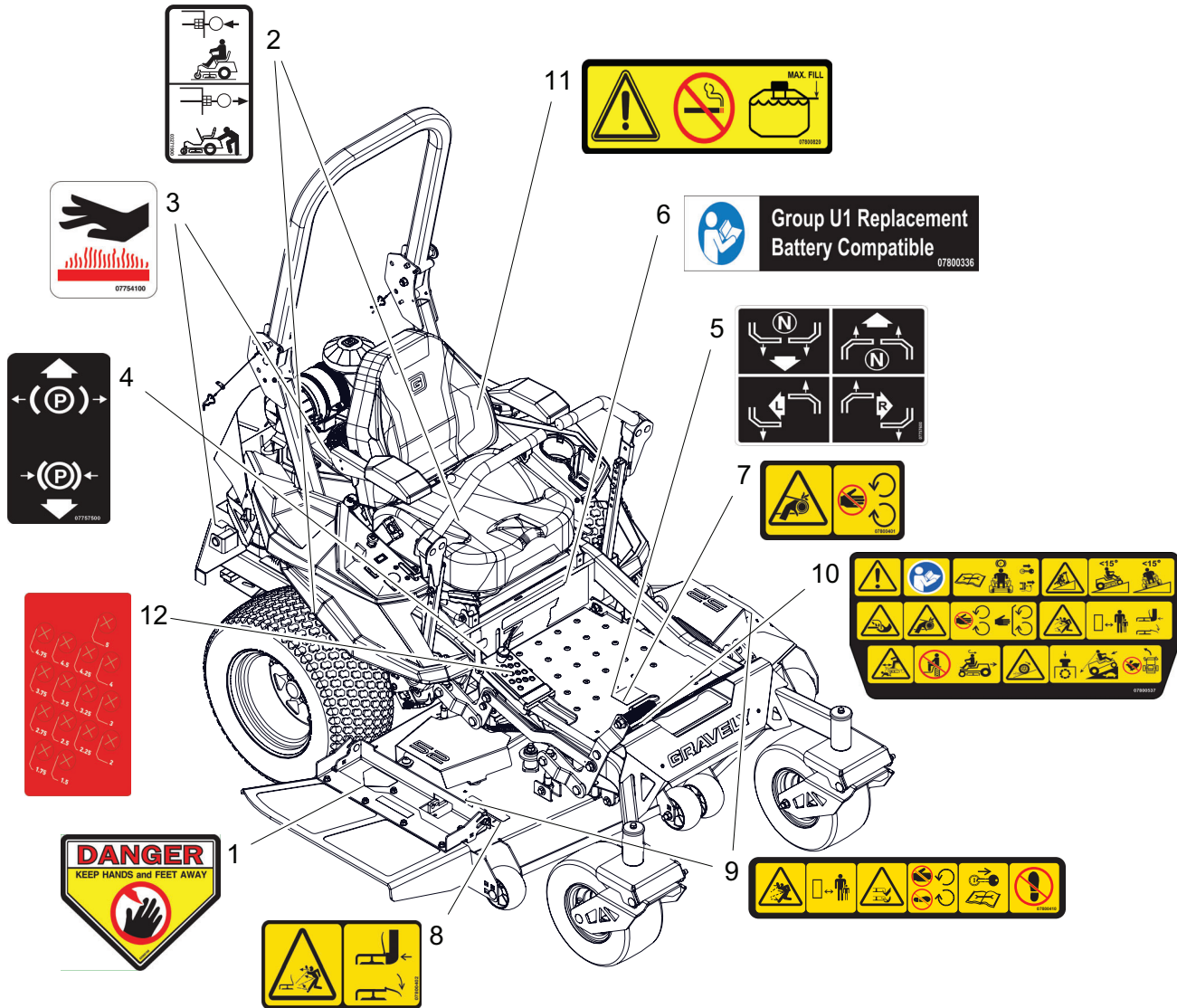
991284 – Pro-Turn Z 60"
(SN 000101 +)

TABLE OF CONTENTS

Decals – Safety	3
Decals – Style – 48"	4
Decals – Style – 52"	5
Decals – Style – 60"	6
Frame – 48" and 52"	7
Frame – 60"	8
Engine – Gravely 764cc	9
Clutch	10
Heat Shield	11
Seat	12
Seat Latch	13
Engine Guard and Fenders	14
Fuel System.....	15
Controls	16
Parking Brake	17
ROPS	18
Front Caster Wheels.....	19
Rear Tires and Transaxles – 48"	20
Rear Tires and Transaxles – 52"	21
Rear Tires and Transaxles – 60"	22
Transaxle Drive	23
Control Panel.....	24
Electrical	25
Electrical – Fuse Box Layout	26
Wiring Diagram.....	27
Deck Lift – LH	28
Deck Lift – RH	29
Deck, Belts, Blades and Spindles – 48"	30
Deck, Belts, Blades and Spindles – 52"	31
Deck, Belts, Blades and Spindles – 60"	32
Idlers and Sheaves – 48"	33
Idlers and Sheaves – 52" and 60"	34
Anti-Scalp Wheels – 48"	35
Anti-Scalp Wheels – 52" and 60".....	36
Belt Covers – 48".....	37
Belt Covers – 52".....	38
Belt Covers – 60".....	39
Discharge Chute – 48"	40
Discharge Chute – 52" and 60"	41

DECALS – SAFETY

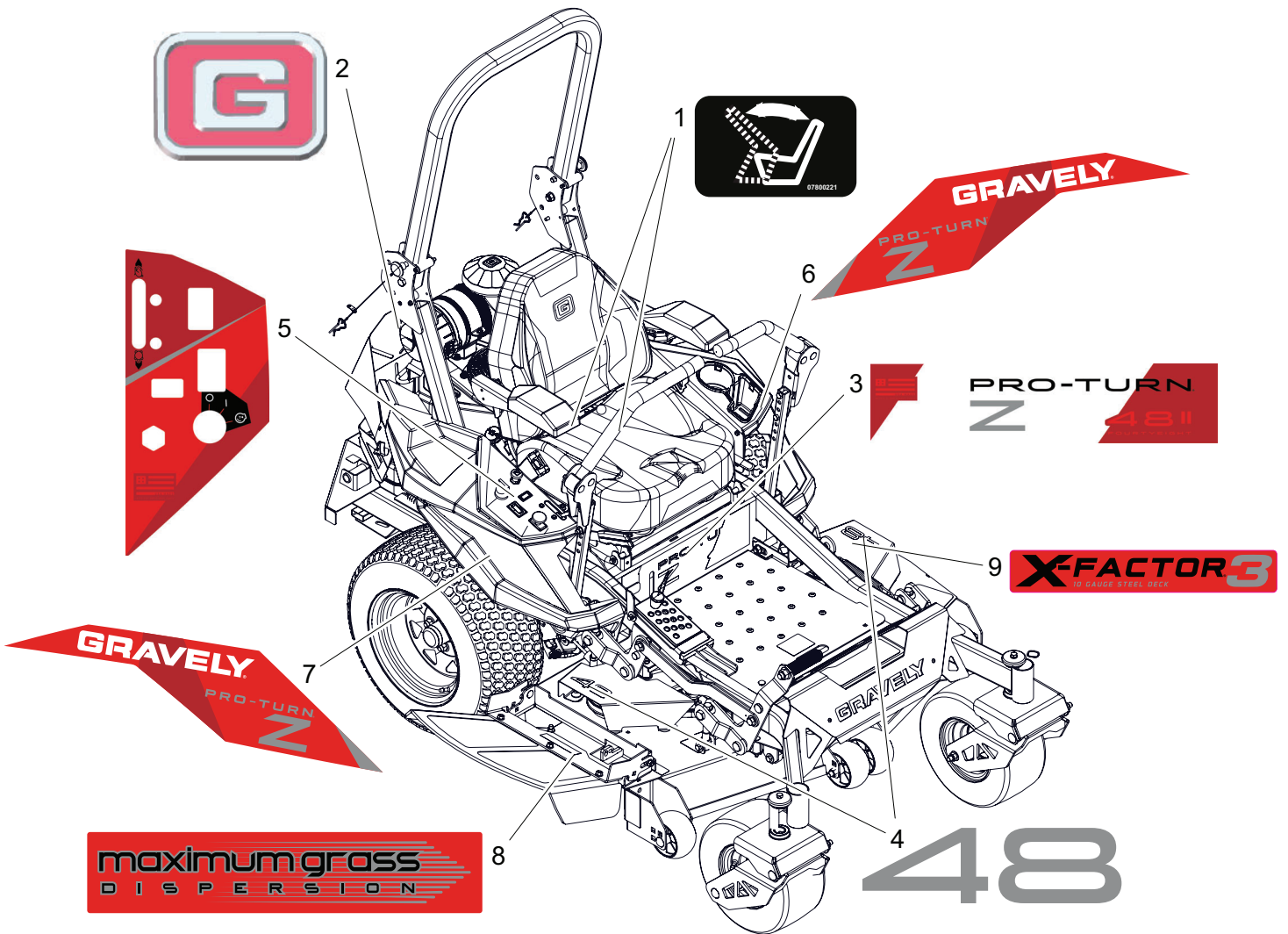
Model All



BOM ID	Number	Qty	Description
1	02988100	1	DECAL, DANGER
2	03271900	2	DECAL, TRANSMISSION DISCONNECT
3	07754100	2	DECAL, HOT SURFACE
4	07757500	1	DECAL, PARKING BRAKE LEVER
5	07757600	1	DECAL, INSTRUCTION - STEERING
6	07800336	1	DECAL, INSTRUCTION - U1 REPLACEMENT BATTERY
7	07800401	1	DECAL, SAFETY - GUARDING
8	07800402	1	DECAL, SAFETY - DECK GUARDING
9	07800410	2	DECAL, DECK SAFETY
10	07800537	1	DECAL, MAIN SAFETY
11	07800820	1	DECAL, FUEL WARNING
12	07801210	1	DECAL, HEIGHT OF CUT

DECALS – STYLE – 48"

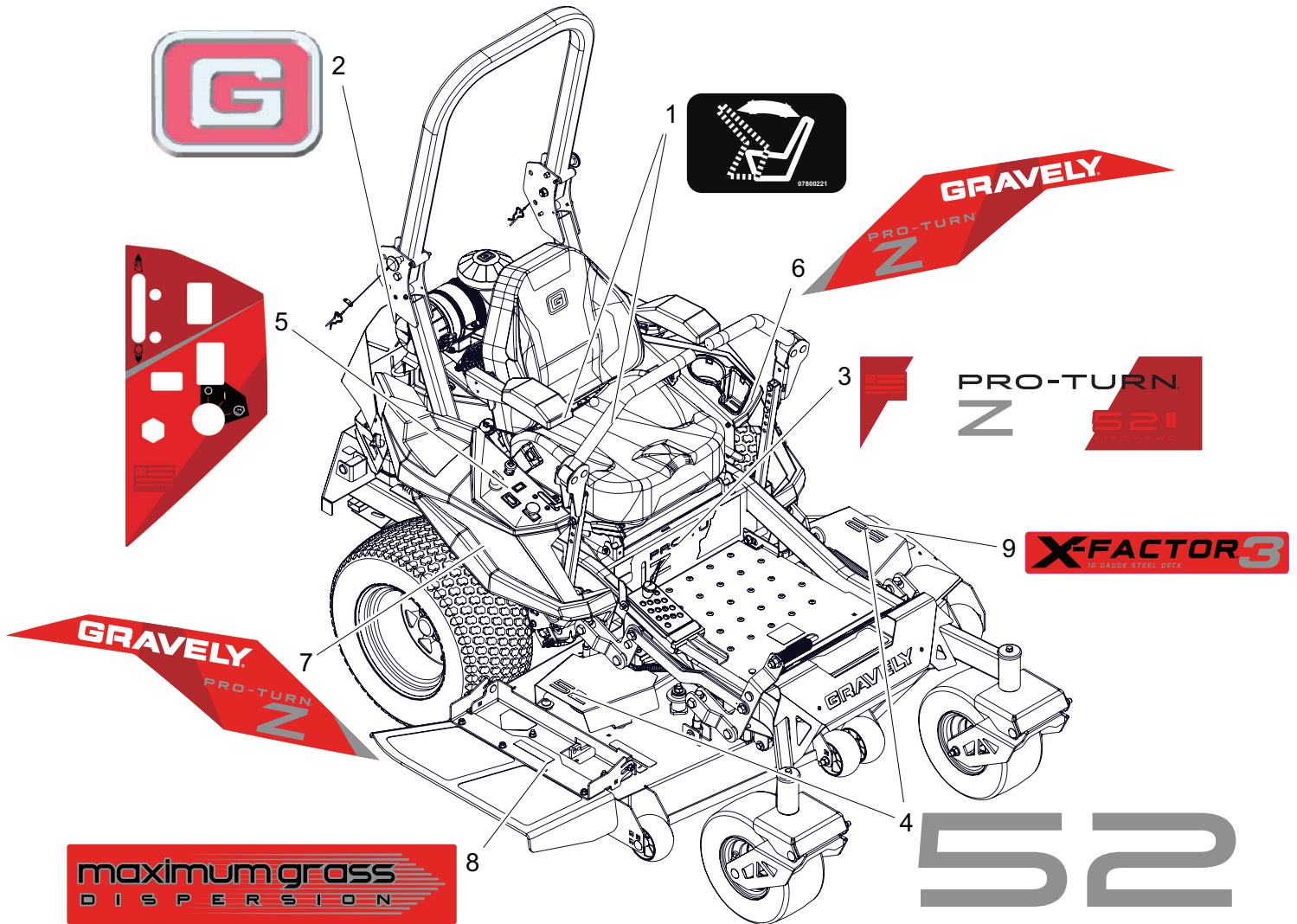
Model 991280



BOM ID	Number	Qty	Description
1	07800221	2	DECAL, SEAT RELEASE
2	07800534	1	DECAL, GRAVELY BRAND
3	07801112	1	DECAL, PTZ - 48
4	07801123	2	DECAL, DECK - 48
5	07801126	1	DECAL, CONTROL PANEL
6	07801211	1	DECAL, FENDER LH - PTZ
7	07801212	1	DECAL, FENDER RH - PTZ
8	07801229	1	DECAL, DECK - MAX GRASS
9	07801609	1	DECAL, X-FACTOR 3

DECALS – STYLE – 52"

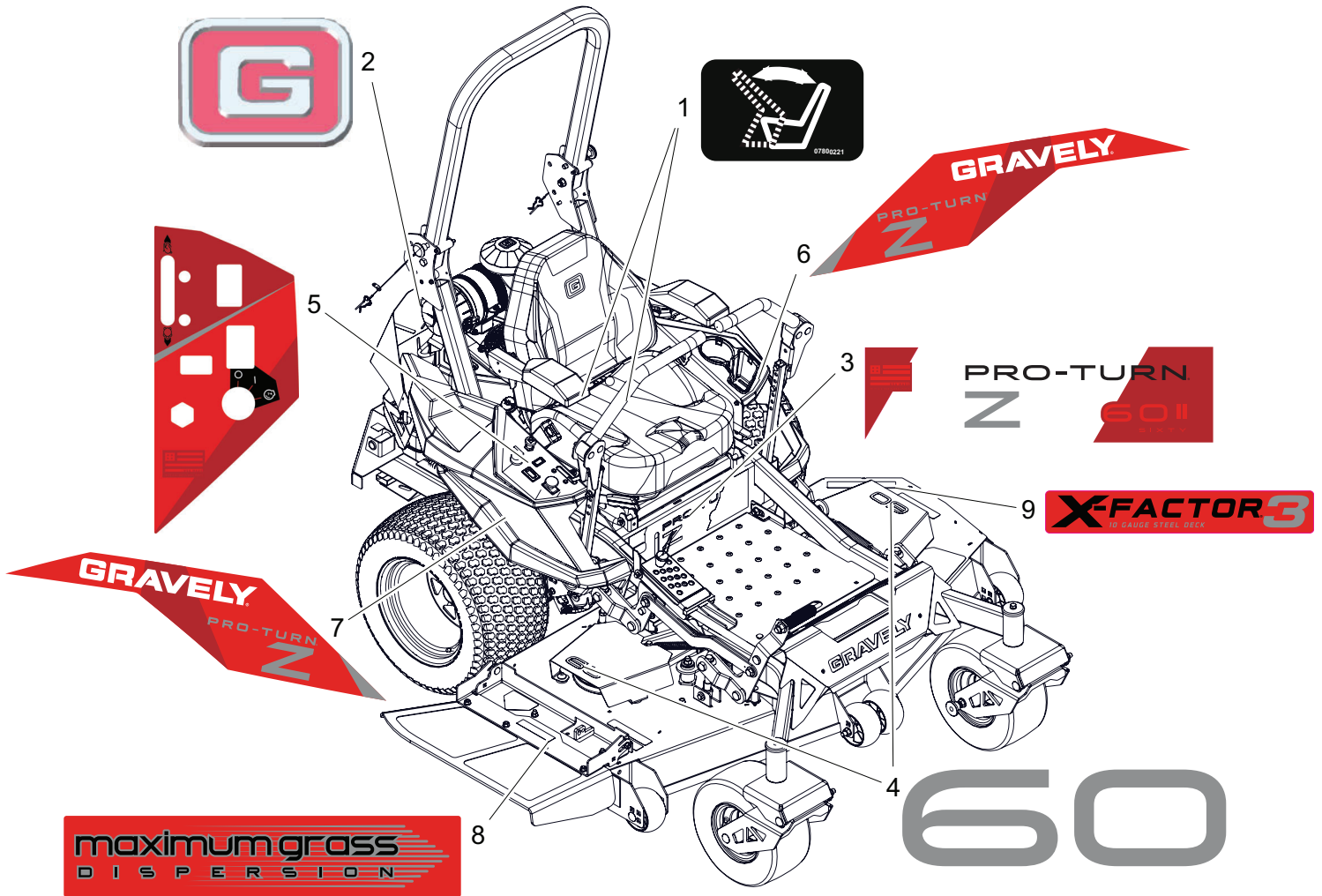
Model 991282



BOM ID	Number	Qty	Description
1	07800221	2	DECAL, SEAT RELEASE
2	07800534	1	DECAL, GRAVELY BRAND
3	07801113	1	DECAL, PTZ - 52
4	07801124	2	DECAL, DECK - 52
5	07801126	1	DECAL, CONTROL PANEL
6	07801211	1	DECAL, FENDER LH - PTZ
7	07801212	1	DECAL, FENDER RH - PTZ
8	07801229	1	DECAL, DECK - MAX GRASS
9	07801609	1	DECAL, X-FACTOR 3

DECALS – STYLE – 60"

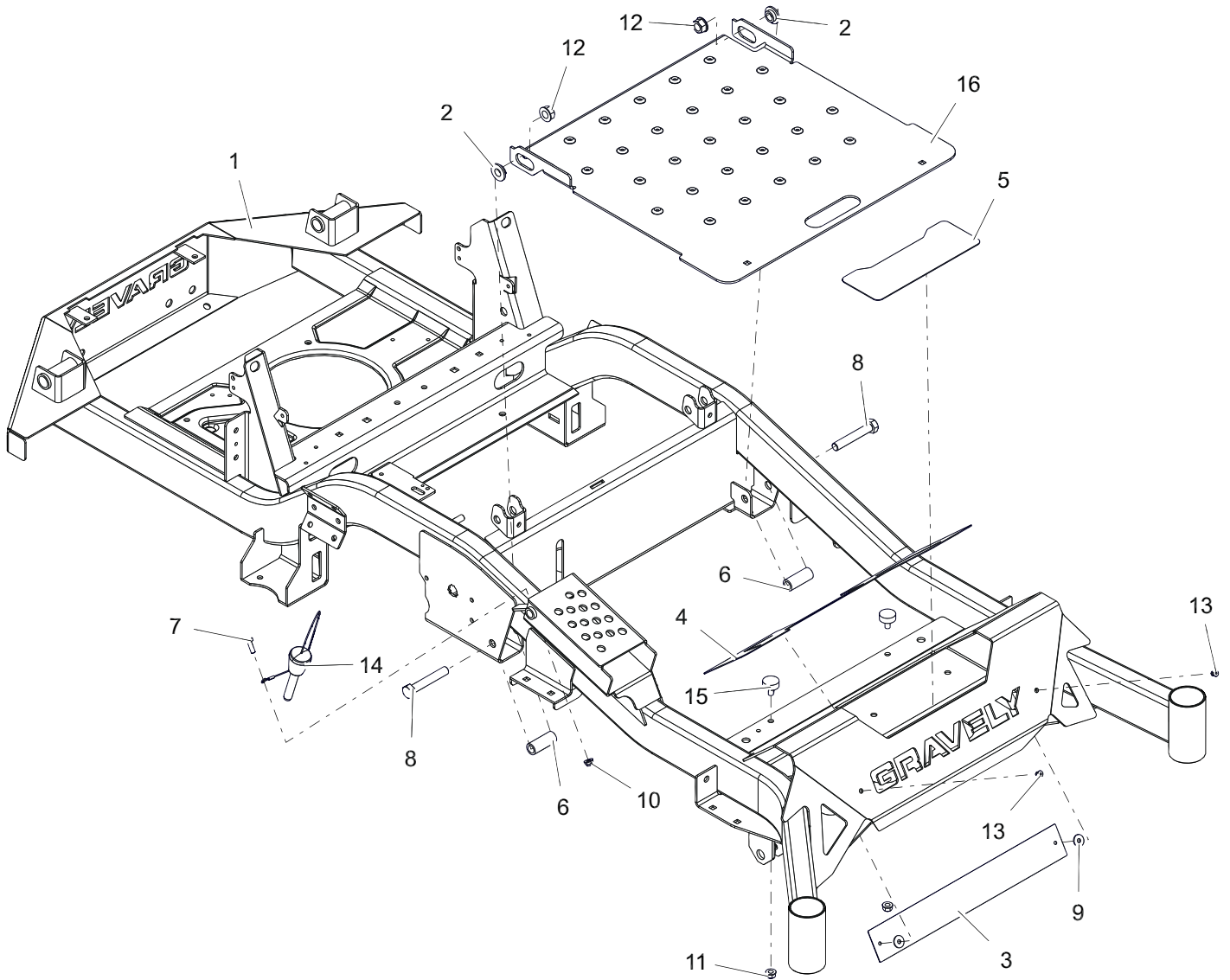
Model 991284



BOM ID	Number	Qty	Description
1	07800221	2	DECAL, SEAT RELEASE
2	07800534	1	DECAL, GRAVELY BRAND
3	07801114	1	DECAL, PTZ - 60
4	07801125	2	DECAL, DECK - 60
5	07801126	1	DECAL, CONTROL PANEL
6	07801211	1	DECAL, FENDER LH - PTZ
7	07801212	1	DECAL, FENDER RH - PTZ
8	07801229	1	DECAL, DECK - MAX GRASS
9	07801609	1	DECAL, X-FACTOR 3

FRAME – 48" AND 52"

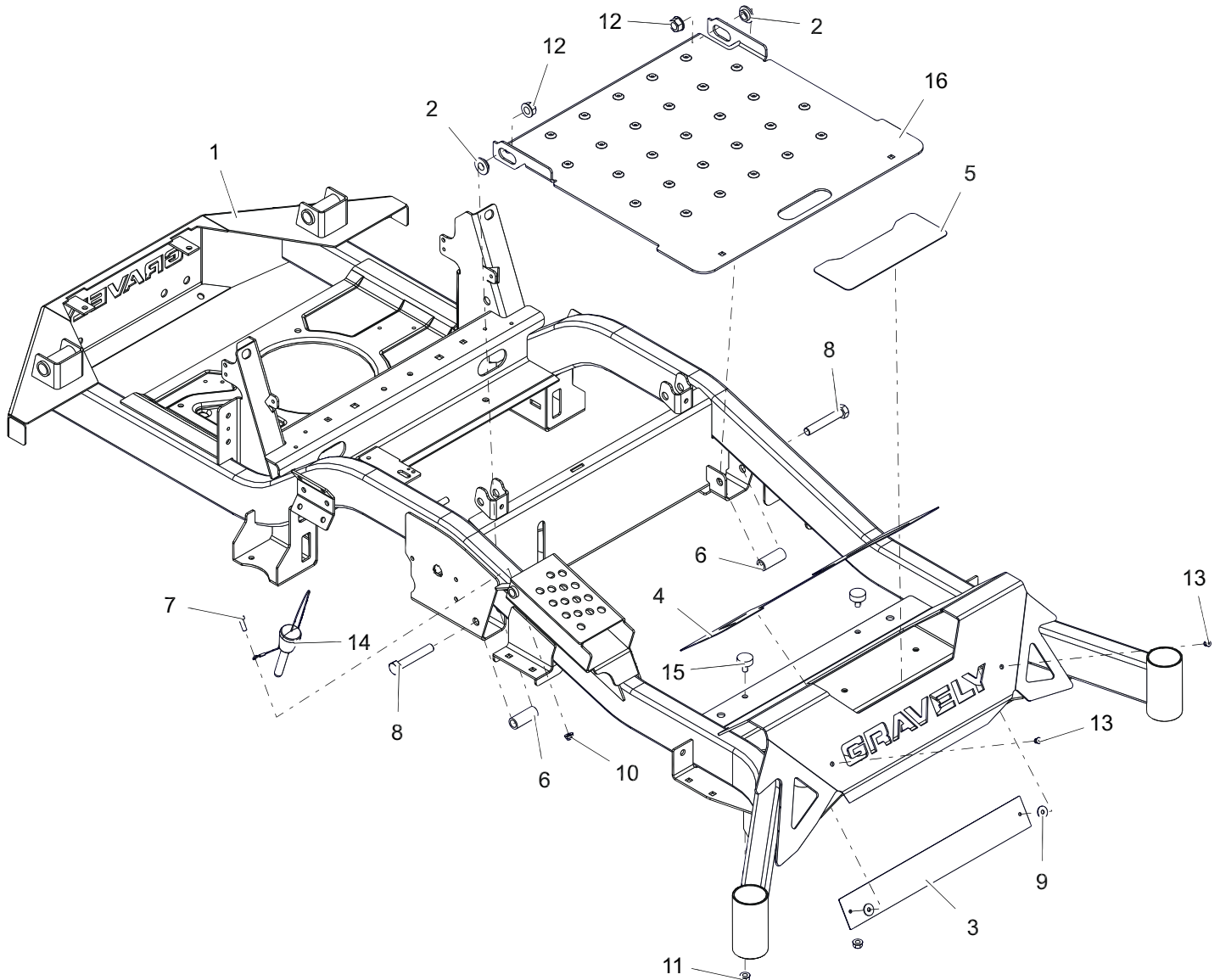
Model 991280, 282



BOM ID	Number	Qty	Description
1	59117500	1	WLDMT, MAIN FRAME -HD 44/52
2	03989100	2	BUSHING FLANGED .515X.750X.31X1.12
3	04718451	1	PLATE, BACK
4	05104800	1	GRIP, FRONT
5	05109100	1	GRIP, STEP
6	05501319	2	SPCR, .515X.75X1.83
7	05901716	1	BLT, HEX 0.25-20X0.75 GR5 ZC120
8	05901737	2	BLT, HEX 0.5-13X3 GR5 ZCC
9	06401214	2	WSHR, RBR W/ADHESIVE .25X.75X.06
10	06500813	1	NUT, LK-NYL-FLG .25-20 GR5 ZC120
11	06500815	2	NUT, FLG-SPNLK .312-18 GR5 ZC120
12	06500907	2	NUT, FLG-TOP LK .500-13 GF ZCC
13	06800120	2	RVT, POP .187x.250 AL/AL
14	06800203	1	PIN, MAGNETIC .50X2.50
15	07533600	2	BUMPER, RUBBER
16	59113500	1	KIT,ACCESS PANEL W/DECALS-RED

FRAME - 60"

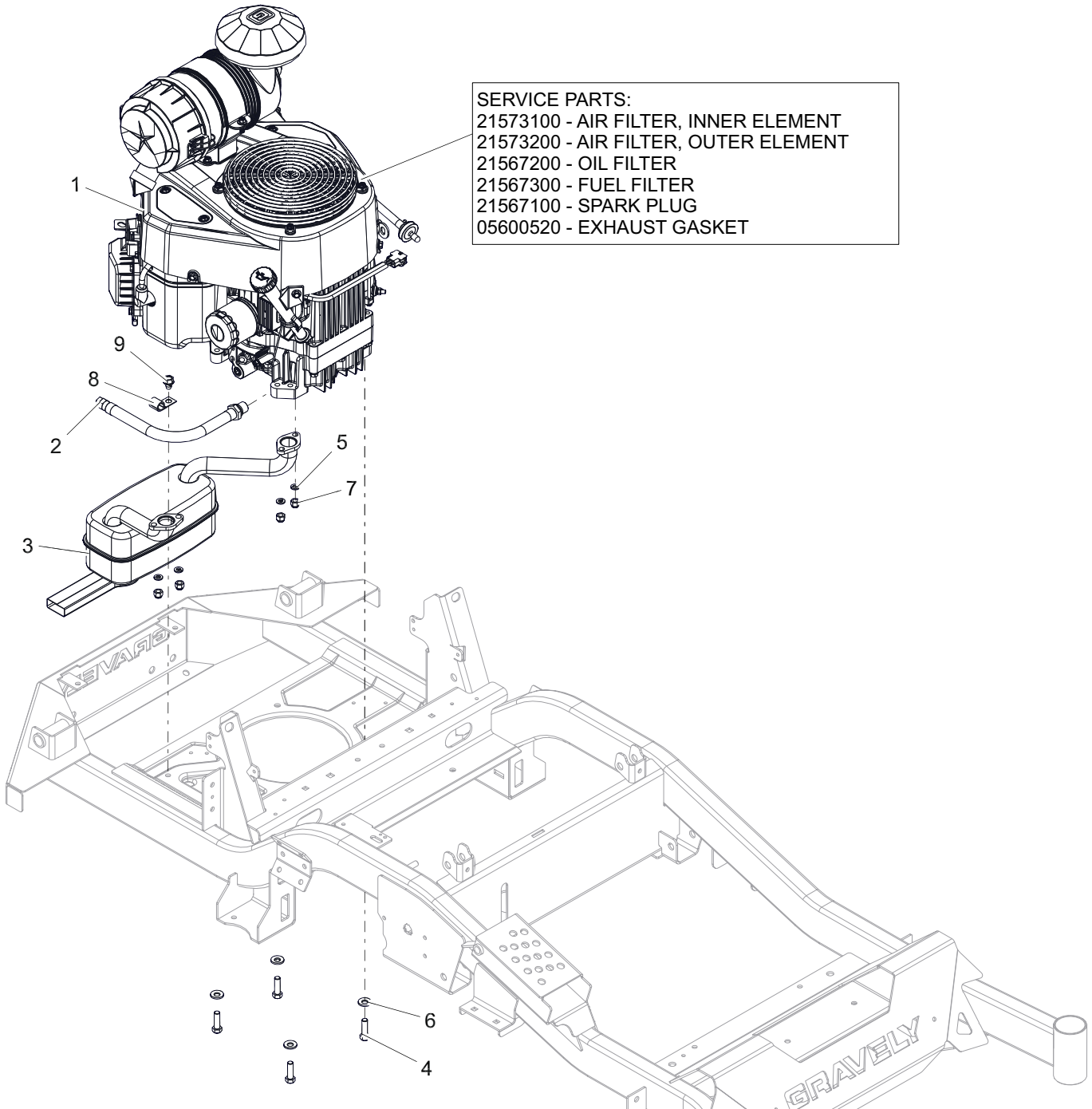
Model 991284



BOM ID	Number	Qty	Description
1	59117400	1	WLDMT, MAIN FRAME -HD 60 (RED)
2	03989100	2	BUSHING FLANGED .515X.750X.31X1.12
3	04718451	1	PLATE, BACK
4	05104800	1	GRIP, FRONT
5	05109100	1	GRIP, STEP
6	05501319	2	SPCR, .515X.75X1.83
7	05901716	1	BLT, HEX 0.25-20X0.75 GR5 ZC120
8	05901737	2	BLT, HEX 0.5-13X3 GR5 ZCC
9	06401214	2	WSHR, RBR W/ADHESIVE .25X.75X.06
10	06500813	1	NUT, LK-NYL-FLG .25-20 GR5 ZC120
11	06500815	2	NUT, FLG-SPNLK .312-18 GR5 ZC120
12	06500907	2	NUT, FLG-TOP LK .500-13 GF ZCC
13	06800120	2	RVT, POP .187x.250 AL/AL
14	06800203	1	PIN, MAGNETIC .50X2.50
15	07533600	2	BUMPER, RUBBER
16	59113500	1	KIT,ACCESS PANEL W/DECALS-RED

ENGINE – GRAVELY 764CC

Model All

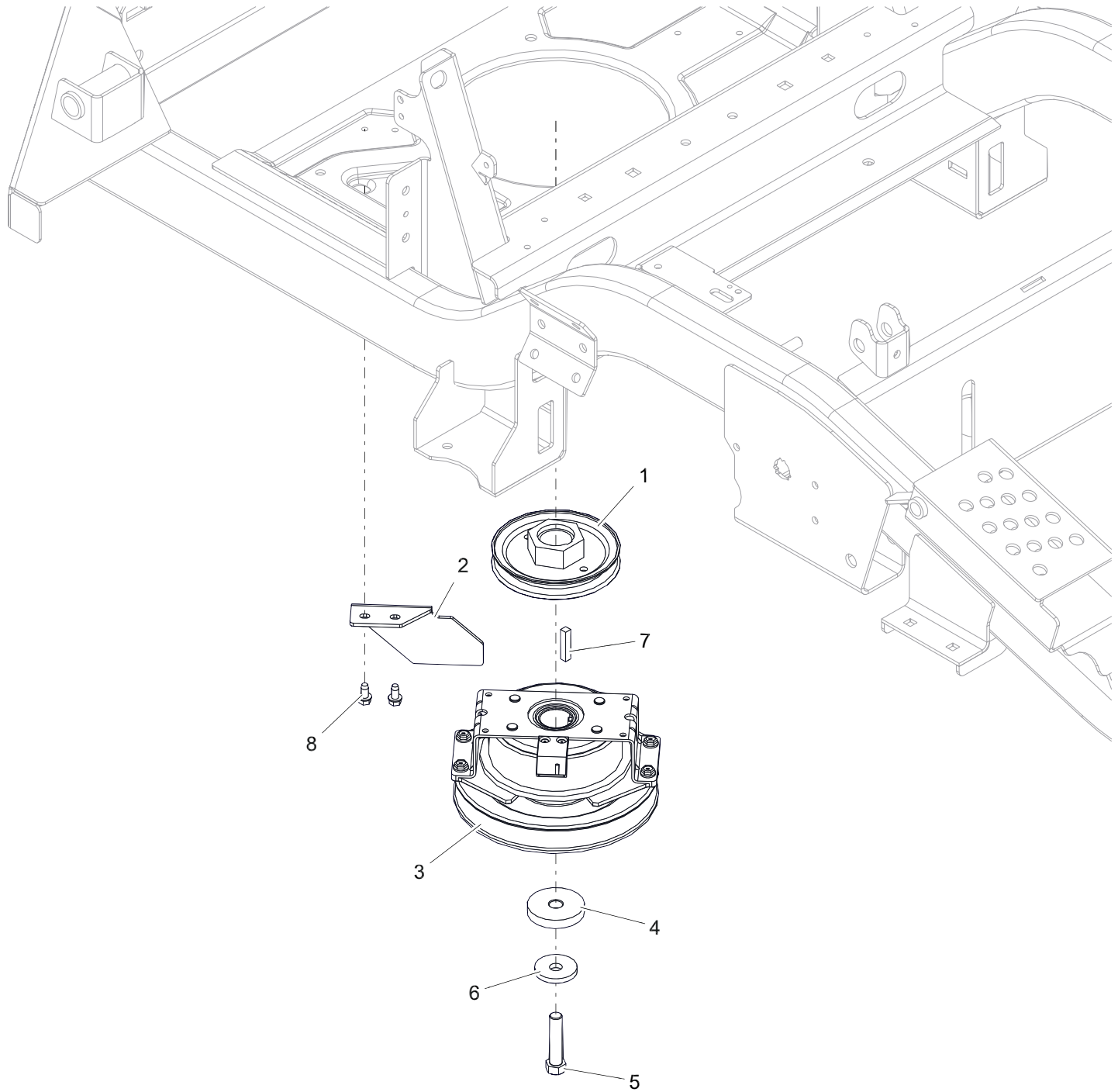


SERVICE PARTS:
 21573100 - AIR FILTER, INNER ELEMENT
 21573200 - AIR FILTER, OUTER ELEMENT
 21567200 - OIL FILTER
 21567300 - FUEL FILTER
 21567100 - SPARK PLUG
 05600520 - EXHAUST GASKET

BOM ID	Number	Qty	Description
1	08201340	1	ENGINE, GRAVELY 764CC PRO FILTER
2	07001730	1	HOSE, OIL DRAIN
3	04754300	1	MUFFLER, KAWASAKI
4	05901808	4	BLT, HEX 0.375-16X1.25 GR5 ZCC NT
5	06300119	4	WSHR,LK-REG 0.314 X 0.078 ZCC
6	06400927	4	WSHR, 3/8" SPRING DISC
7	06500817	4	NUT, LK-NYL M8-1.25 GR8.8 ZCC
8	06916000	1	J-CLAMP
9	07400126	1	SCR-TAP .38-16X.500 HWH ZCC

CLUTCH

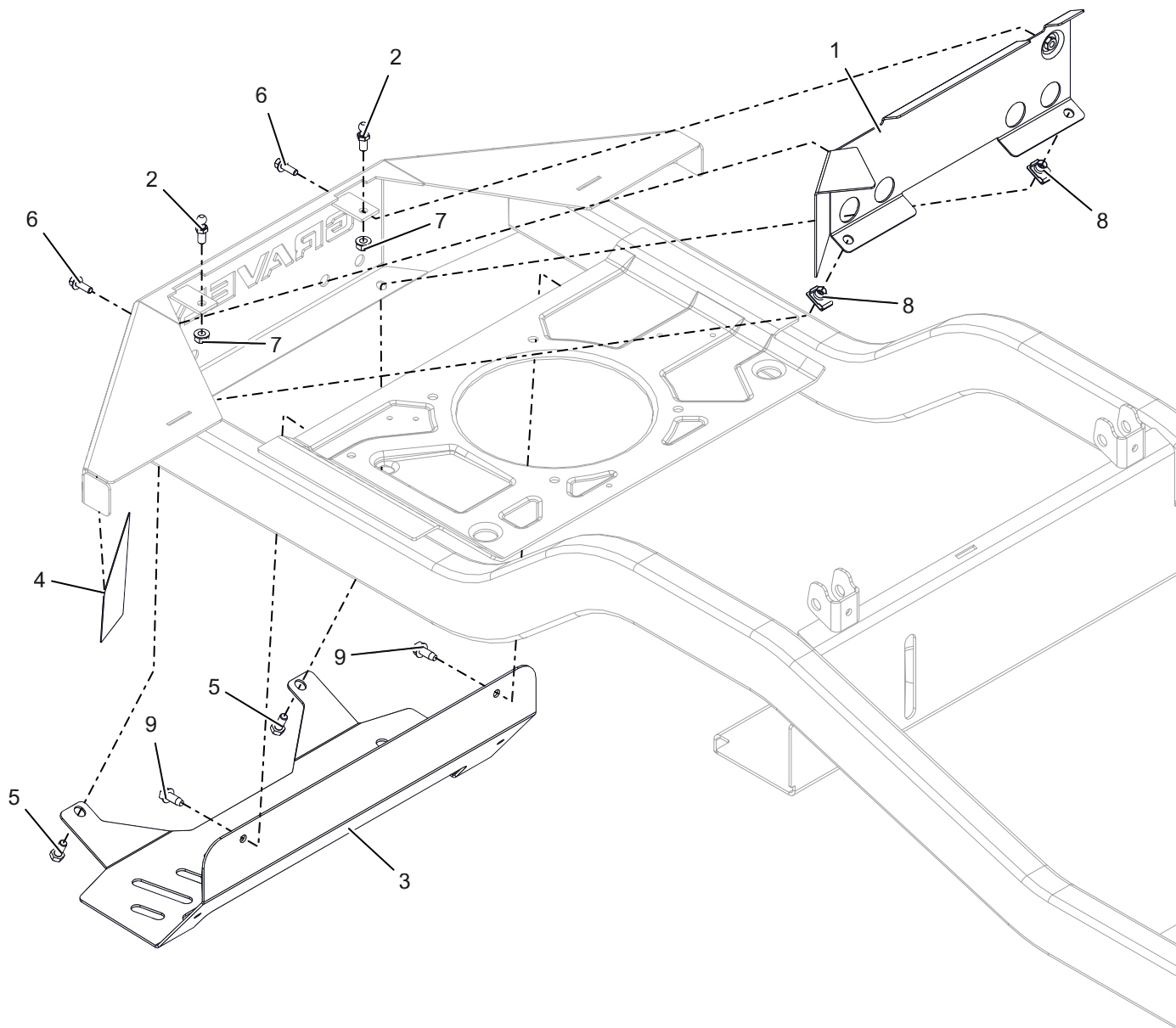
Model All



BOM ID	Number	Qty	Description
1	07348700	1	PULLEY, 4.50 OD X 1.127 ENGINE
2	05016151	1	BRKT, CLUTCH STOP (HD)
3	05191600	1	CLUTCH, OGURA DBL SPRG, 1.125
4	05501240	1	SPCR, .474/.459 X 2.00 X .350
5	05901916	1	BLT, HEX 0.4375-20X2 G8 ZCC NT
6	06400936	1	WSHR, 7/16" SPRING DISC
7	06603400	1	KEY-SQ .250X.250X1.250
8	07400122	2	SCR-TAP .25-20X.50 HWH ZCC

HEAT SHIELD

Model All

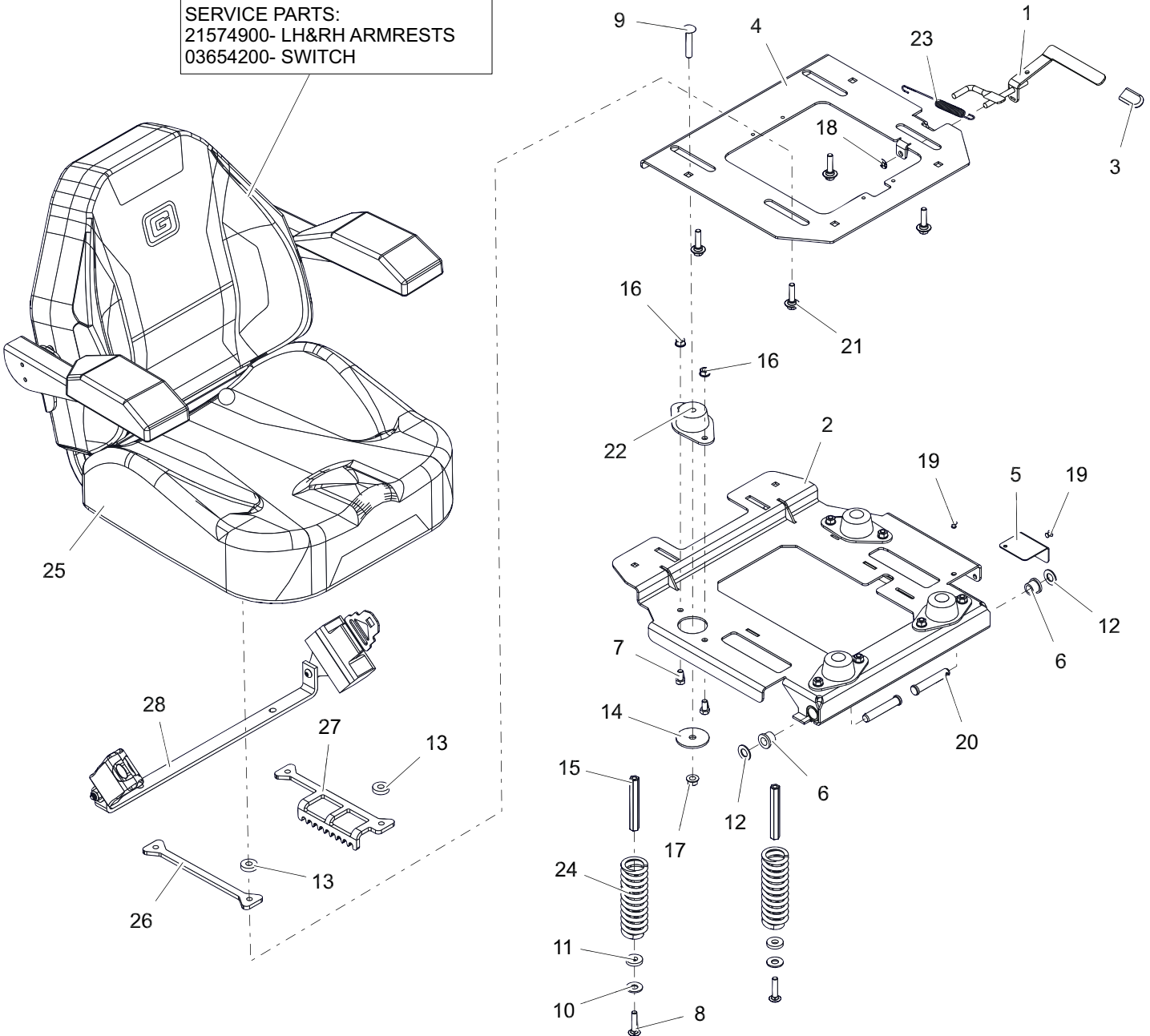


BOM ID	Number	Qty	Description
1	05116751	1	WLDMT, HEAT BAFFLE (BLACK)
2	03652200	2	STUD-BALL
3	05082851	1	SHIELD, HEAT (HD) (BLACK)
4	05116800	1	TAPE, HEAT
5	05901704	2	BLT, HEX 0.3125-18X0.75 GR5 ZC120
6	05901731	2	BLT, HEX-FLG 0.25-20X0.75 GR5 ZB500
7	06500840	2	NUT, FLG-CTR LK .312-18 GR5 ZCC
8	07000829	2	NUT-CLIP RETAINER 5/16-18X.56
9	07400127	2	SCR-TAP .312-18X.75 HWH ZCC

SEAT

Model All

SERVICE PARTS:
21574900- LH&RH ARMRESTS
03654200- SWITCH

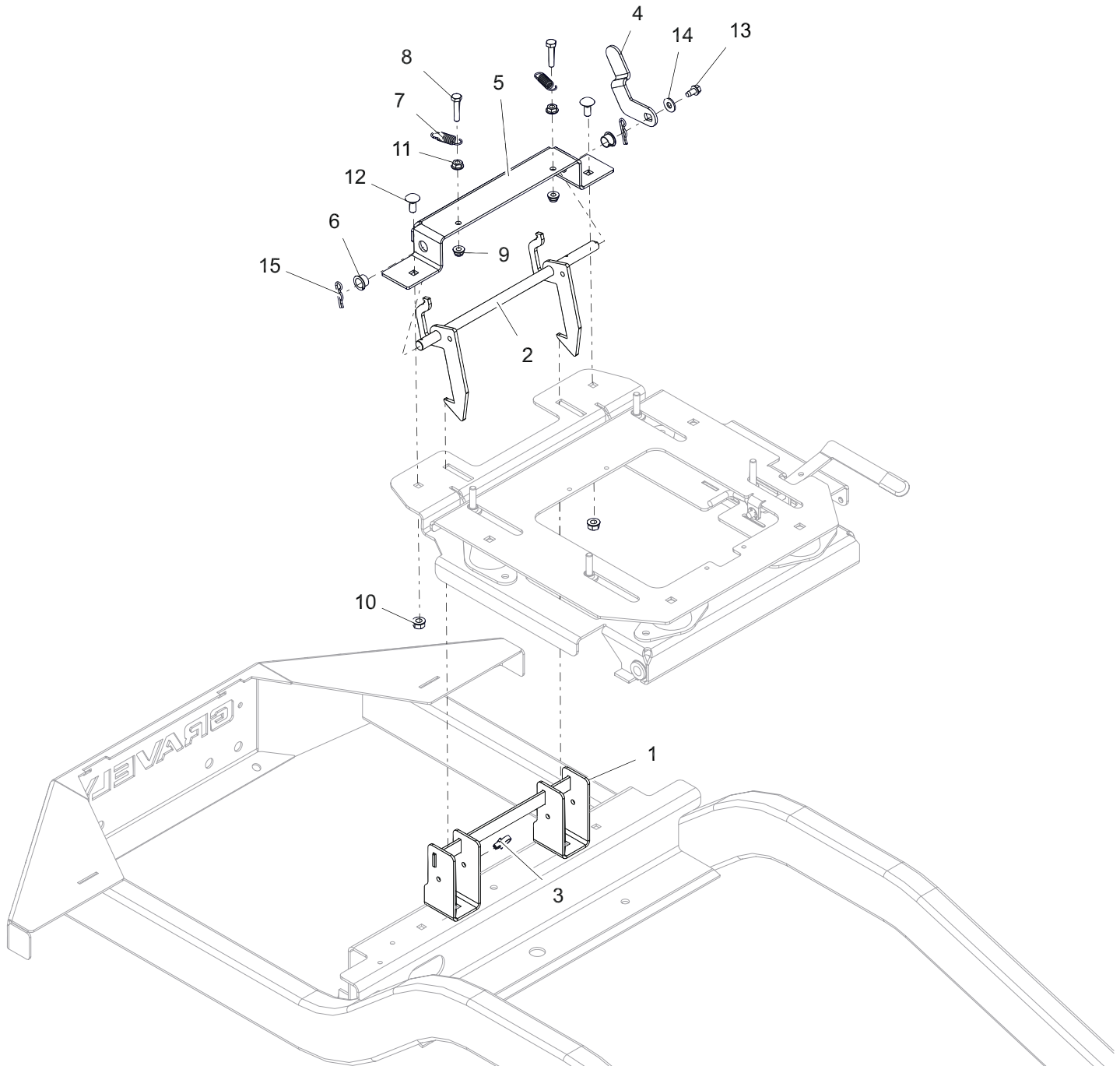


BOM ID	Number	Qty	Description
1	05015251	1	WLDMT, ADJUSTABLE SEAT LATCH
2	05265451	1	WLDMT, ISO MTG PLATE (BLACK)
3	04396600	1	GRIP, SEAT LEVER
4	05133553	1	PLATE, SEAT MOUNTING (ISO KIT) (RED)
5	05265551	1	GUARD, SEAT FAN (SH)(BLACK)
6	05500901	2	BUSHING FLANGED .516 X .750 X .625 X .937
7	05901832	8	BLT, HEX 0.3125-18X0.625 GR5 ZCC
8	06200233	2	BTL,RHSN .313-18 X 1.5 G5 ZCC
9	06200323	4	BTL,RHSSN .375-16 X 2 G5 ZCC
10	06401008	2	WSHR-FL-STL 0.438X1X0.083 ZC120
11	06401108	2	WSHR-FL-STL 0.406X1X0.188 ZCC
12	06401115	2	WSHR-FL-STL 0.531X1X0.063 ZCC
13	06401125	2	WSHR-FL-STL 0.39X1X0.25 ZCC
14	06401221	4	WSHR-FL-STL 0.406X2X0.125 ZCC
15	06500828	2	NUT, COUPLING 5/16-18 X 3.75

BOM ID	Number	Qty	Description
16	06500840	8	NUT, FLG-CTR LK .312-18 GR5 ZCC
17	06500901	4	NUT, FLG-CTR LK .375-16 GR5 ZC120
18	06514900	1	NUT, PUSH .312
19	06800120	2	RVT, POP .187x.250 AL/AL
20	06800202	2	PIN, SLIC-.500X42.70X2.31 -ZC
21	07001929	4	BLT, SHLDR .31-18 X .175
22	07500237	4	MOUNT, FAIL-SAFE COMPRESSION
23	08300022	1	SPRG, EXTENSION
24	08300704	2	SPRG, COMPRESSION
25	09190900	1	SEAT, HD
26	09363451	1	PLATE, ADJ SEAT SLIDE (BLACK)
27	09363551	1	PLATE, SEAT ADJ (BLACK)
28	59110000	1	BELT, SEAT

SEAT LATCH

Model All



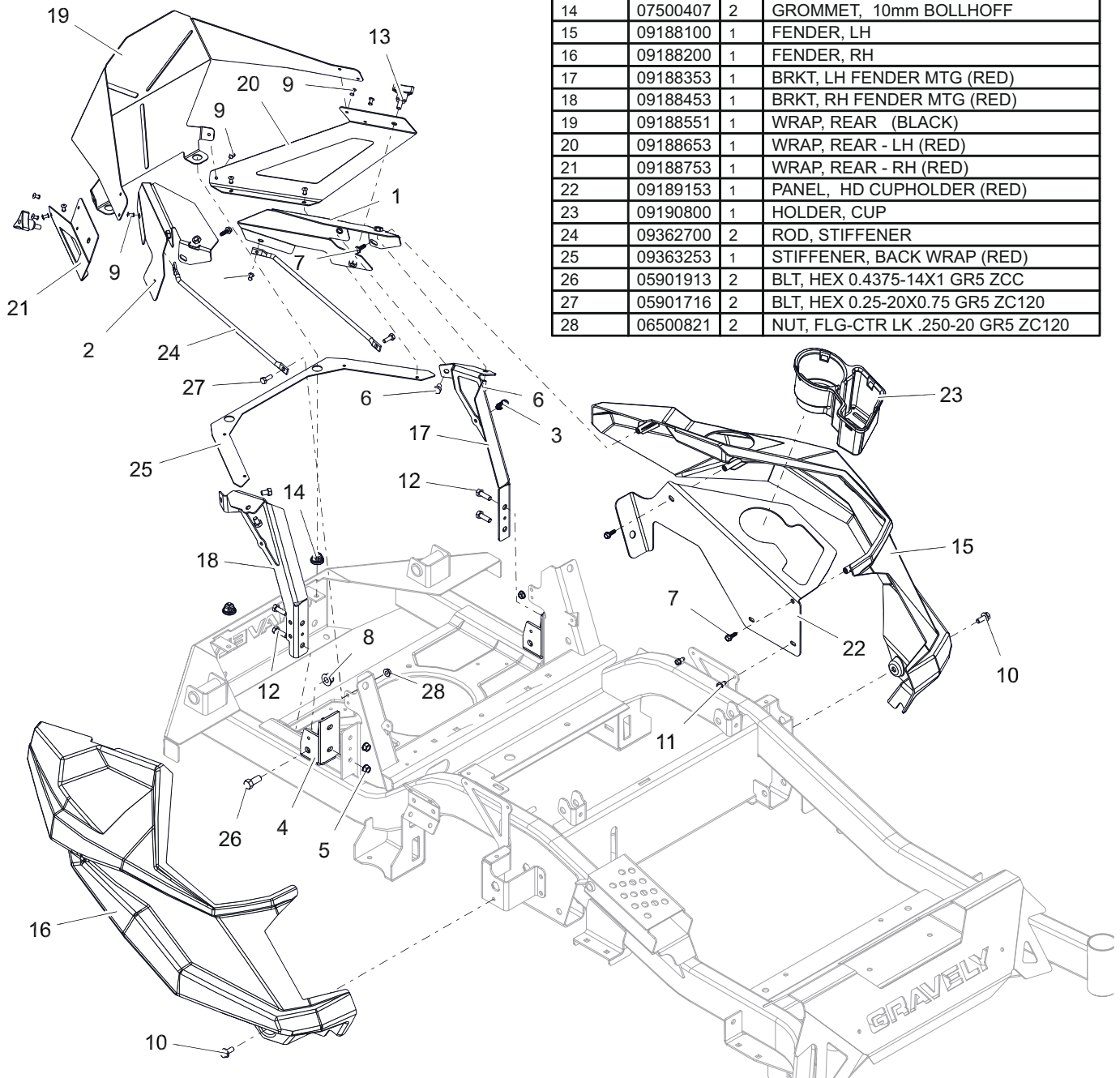
BOM ID	Number	Qty	Description
1	05118451	1	WLDMT, LATCH RECIEVER (BLACK)
2	05118651	1	WLDMT, SEAT LATCH (BLACK)
3	00367900	1	CLIP, ROUTING (.50 ID)
4	05118751	1	LEVER, SEAT LATCH RELEASE (BLACK)
5	05118851	1	BRKT, SEAT
6	05500026	2	BUSHING, POLYLINER - .50 SPLIT
7	08314100	2	SPRG, EXTENSION
8	05901738	2	BLT, HEX 0.25-20X1.25 GR5 ZCC

BOM ID	Number	Qty	Description
9	06500813	2	NUT, LK-NYL-FLG .25-20 GR5 ZC120
10	06500840	2	NUT, FLG-CTR LK .312-18 GR5 ZCC
11	06500824	2	NUT, FLG-SPNLK .250-20 GR5 ZC120
12	06200232	2	BTL,RHSN .313-18 X 0.75 G5 ZCC
13	07400122	1	SCR-TAP .25-20X.50 HWH ZCC
14	06401124	1	WSHR-FL-STL 0.312X0.734X0.065 ZCC
15	06700224	2	PIN, HAIR-INT .08X.38X1.42 ZCC

ENGINE GUARD AND FENDERS

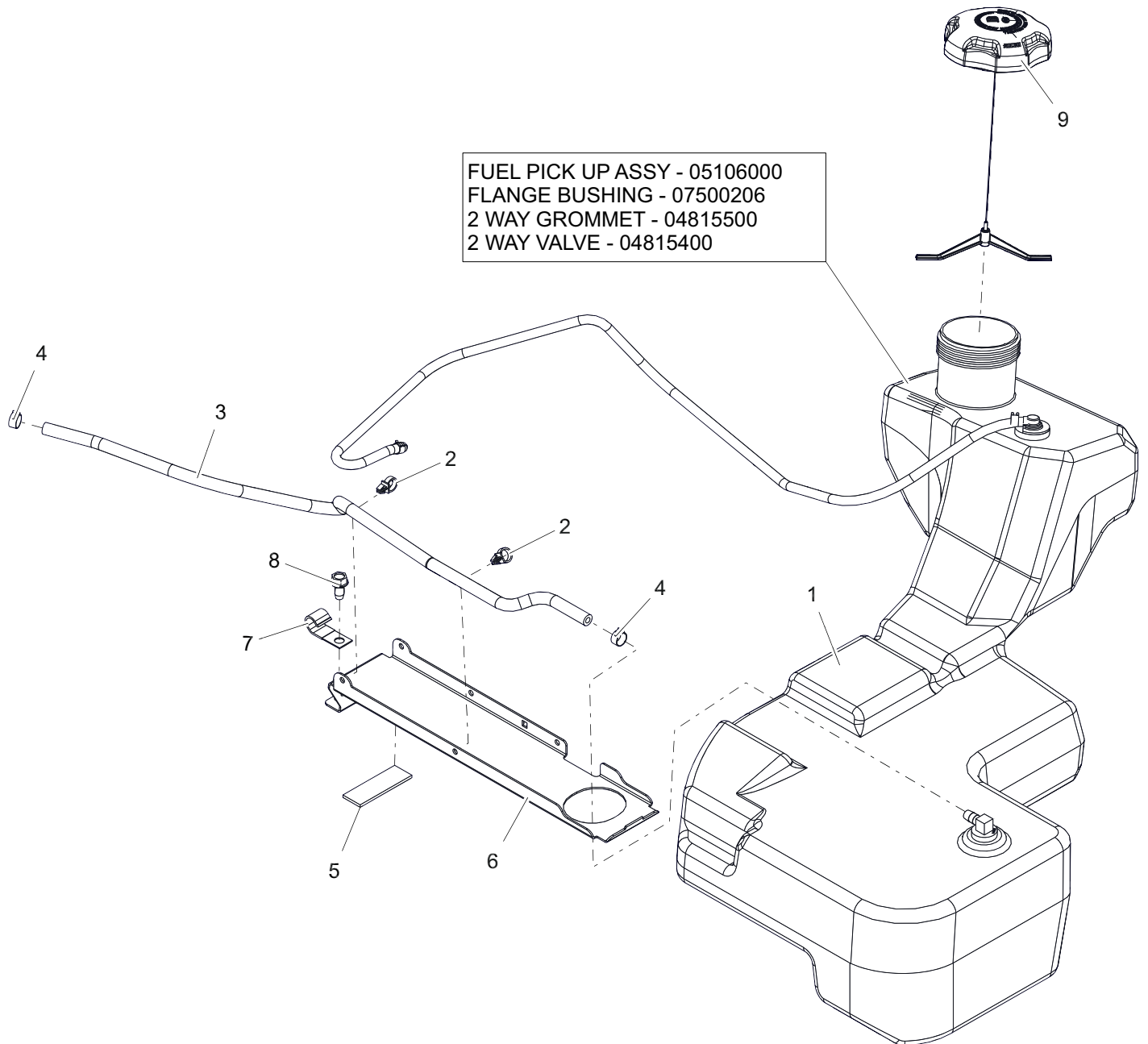
Model All

BOM ID	Number	Qty	Description
1	09188853	1	PANEL, LH (RED)
2	09188953	1	PANEL, RH (RED)
3	04451600	1	CLIP, CABLE GUIDE
4	05248051	2	BRKT, ROPS SUPPORT (BLACK)
5	06500840	4	NUT, FLG-CTR LK .312-18 GR5 ZCC
6	05901904	4	BLT, HEX 0.3125-18X0.5 GR5 ZCC
7	06100231	4	SCR, PLASTITE-HWH 0.25 X 0.75 ZC120
8	06500811	2	NUT, LK-NYL-FLG .44-14 GR5 ZC120
9	06800107	12	RVT-POP .187x.375 (#66) BLACK
10	07001820	2	BLT, SERHFVH 0.312-18X0.75 GR5 ZCC
11	07400122	2	SCR-TAP .25-20X.50 HWH ZCC
12	05901802	4	BLT, HEX 0.3125-18X1 GR8 ZCC
13	07500008	2	KNOB, WING STUD .312-18X.75
14	07500407	2	GROMMET, 10mm BOLLHOFF
15	09188100	1	FENDER, LH
16	09188200	1	FENDER, RH
17	09188353	1	BRKT, LH FENDER MTG (RED)
18	09188453	1	BRKT, RH FENDER MTG (RED)
19	09188551	1	WRAP, REAR (BLACK)
20	09188653	1	WRAP, REAR - LH (RED)
21	09188753	1	WRAP, REAR - RH (RED)
22	09189153	1	PANEL, HD CUPHOLDER (RED)
23	09190800	1	HOLDER, CUP
24	09362700	2	ROD, STIFFENER
25	09363253	1	STIFFENER, BACK WRAP (RED)
26	05901913	2	BLT, HEX 0.4375-14X1 GR5 ZCC
27	05901716	2	BLT, HEX 0.25-20X0.75 GR5 ZC120
28	06500821	2	NUT, FLG-CTR LK .250-20 GR5 ZC120



FUEL SYSTEM

Model All

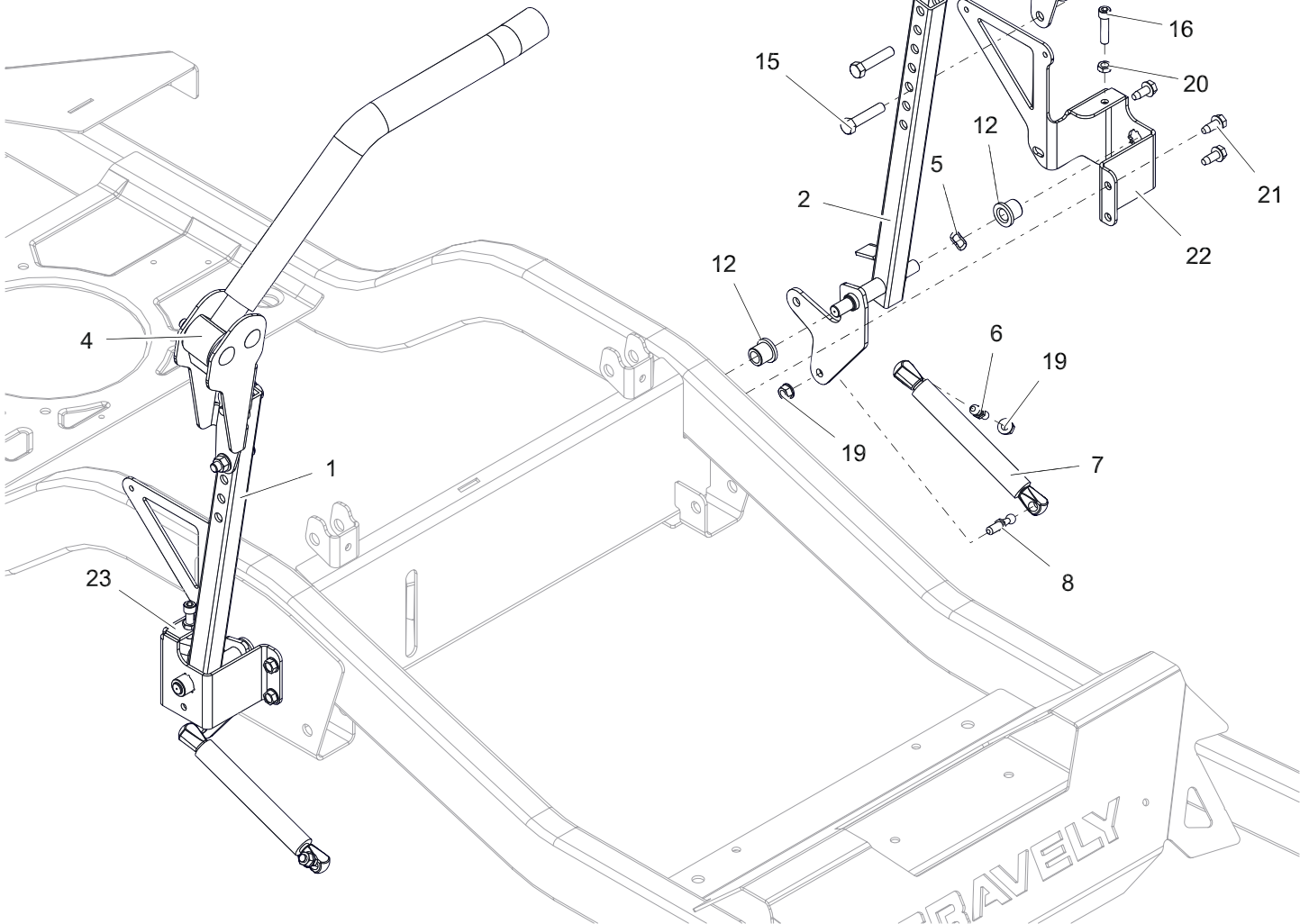
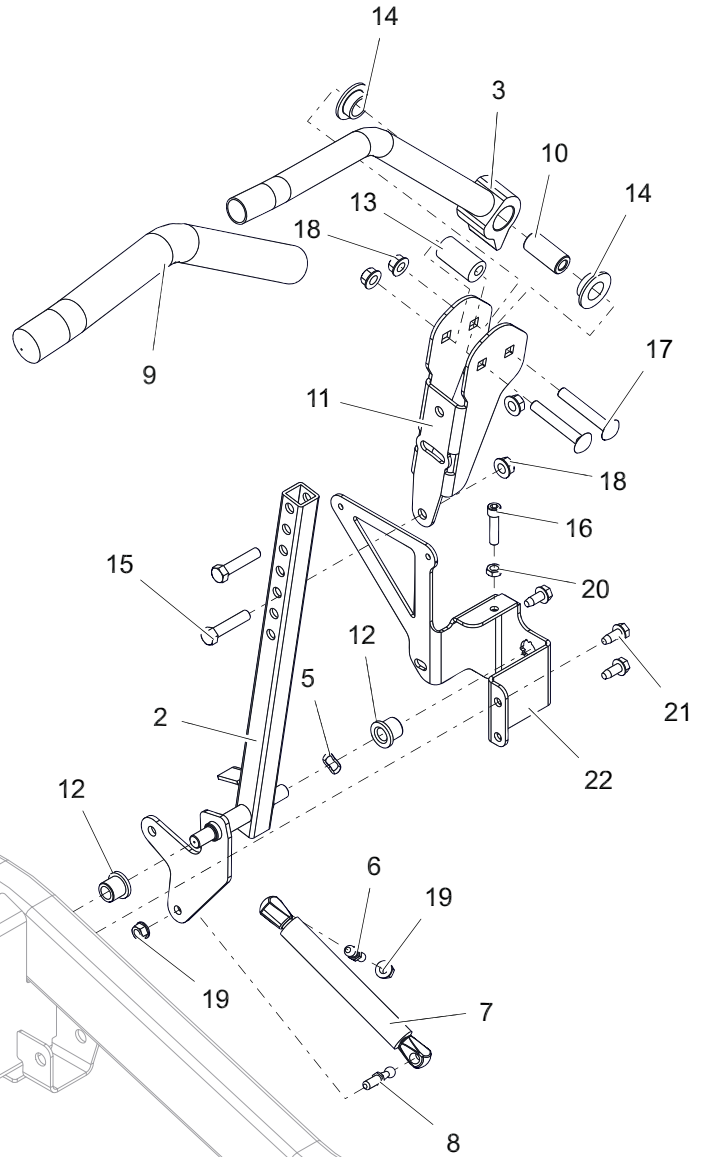


BOM ID	Number	Qty	Description
1	09167300	1	ASM, FUEL TANK-HD
2	00367900	2	CLIP, ROUTING (.50 ID)
3	03278100	1	HOSE, .25 LOW PERM FUEL-27" LG.
4	03278800	2	CLAMP, FUEL LINE
5	04850000	1	PAD, RBR 1.0"X3.0" W/ADHESIVE
6	05024151	1	BRKT, FUEL TANK HOLD DOWN (BLACK)
7	06916000	1	J-CLAMP
8	07400129	1	SCR-TAP .38-16X.75 HWH ZCC
9	09190300	1	CAP, FUEL - 3.50 RATCHET INLET VENT

CONTROLS

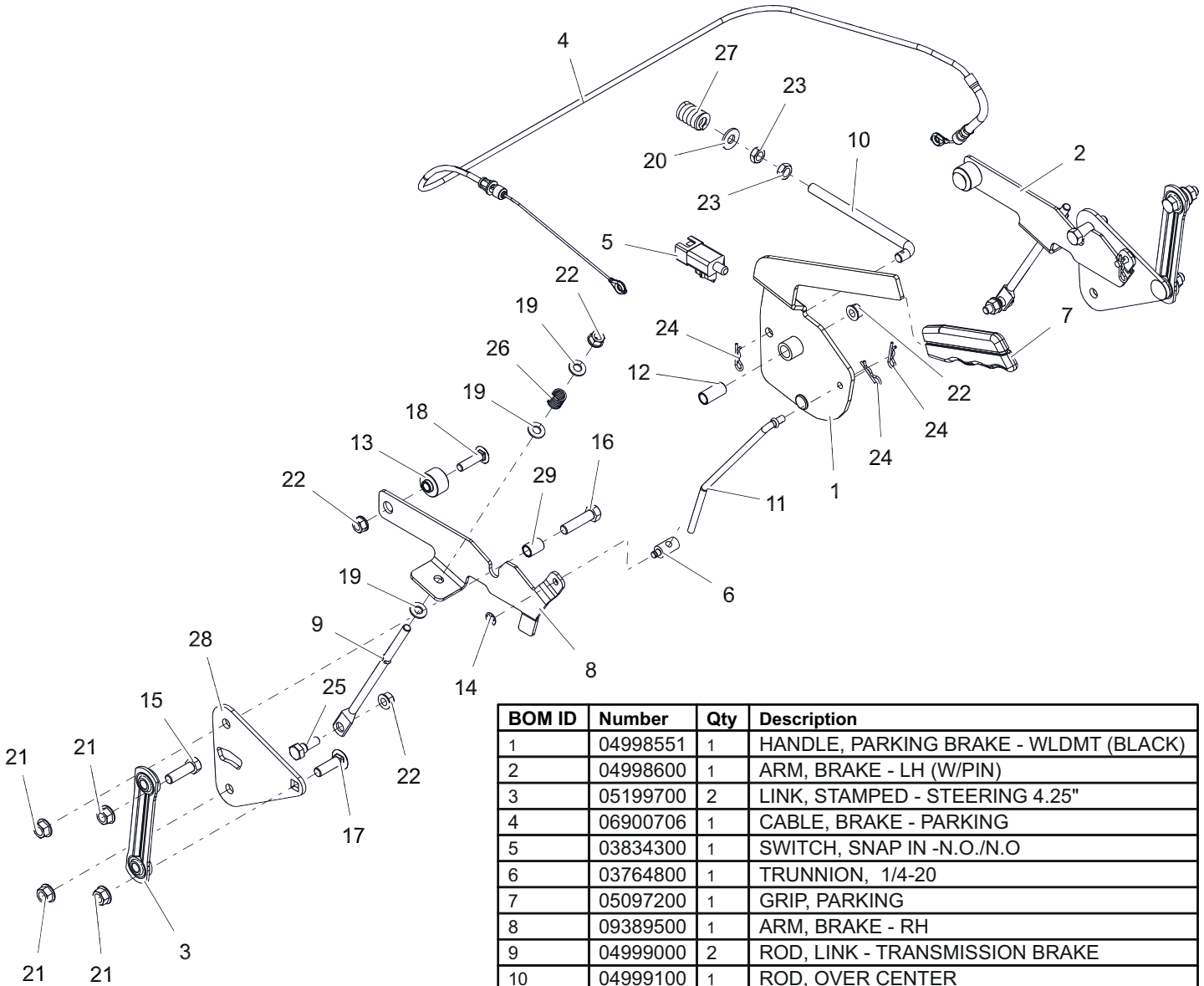
Model All

BOM ID	Number	Qty	Description
1	05243953	1	WLDMT, STEERING RH (RED)
2	05244053	1	WLDMT, STEERING -LH (RED)
3	05261853	1	WLDMT, CONTROL HANDLE-LH (RED)
4	05262153	1	WLDMT, CONTROL HANDLE-RH (RED)
5	00325400	2	WAVE WASHER .531X.781X.125 FH
6	03652200	2	STUD-BALL
7	03769800	2	DAMPER, STEERING
8	04097100	2	STUD, BALL THREADED
9	04383600	2	GRIP, HANDLEBAR
10	04413600	2	SPCR, STEERING ARM
11	05068753	2	BRKT, ADJ UPPER CONTROL ARM (RED)
12	05501001	4	BSHG, FLANGE .500X.750X.750X.125
13	05501223	2	BSHG, ECCENTRIC .328 X .750 X 1.625
14	05525200	4	BSHG, FLANGE .762 X 1.48 X .44 NYLON
15	05901809	4	BLT, HEX 0.375-16X1.75 GR5 ZCC
16	05901826	2	SCR, SKH .312-18X1.25 GR8 ZC120
17	06200315	4	BTL,RHSSN .375-16 X 2.5 G5 ZCC
18	06500822	8	NUT, FLG-TOP LK .375-16 GRF ZC120
19	06500840	4	NUT, FLG-CTR LK .312-18 GR5 ZCC
20	06500909	2	NUT, JAM .312-18 GR5 ZCC
21	07400127	6	SCR-TAP .312-18X.75 HWH ZCC
22	09189953	1	BRKT, STEERING ARM MOUNTING -LH (RED)
23	09190053	1	BRKT, STEERING ARM MOUNTING- RH (RED)



PARKING BRAKE

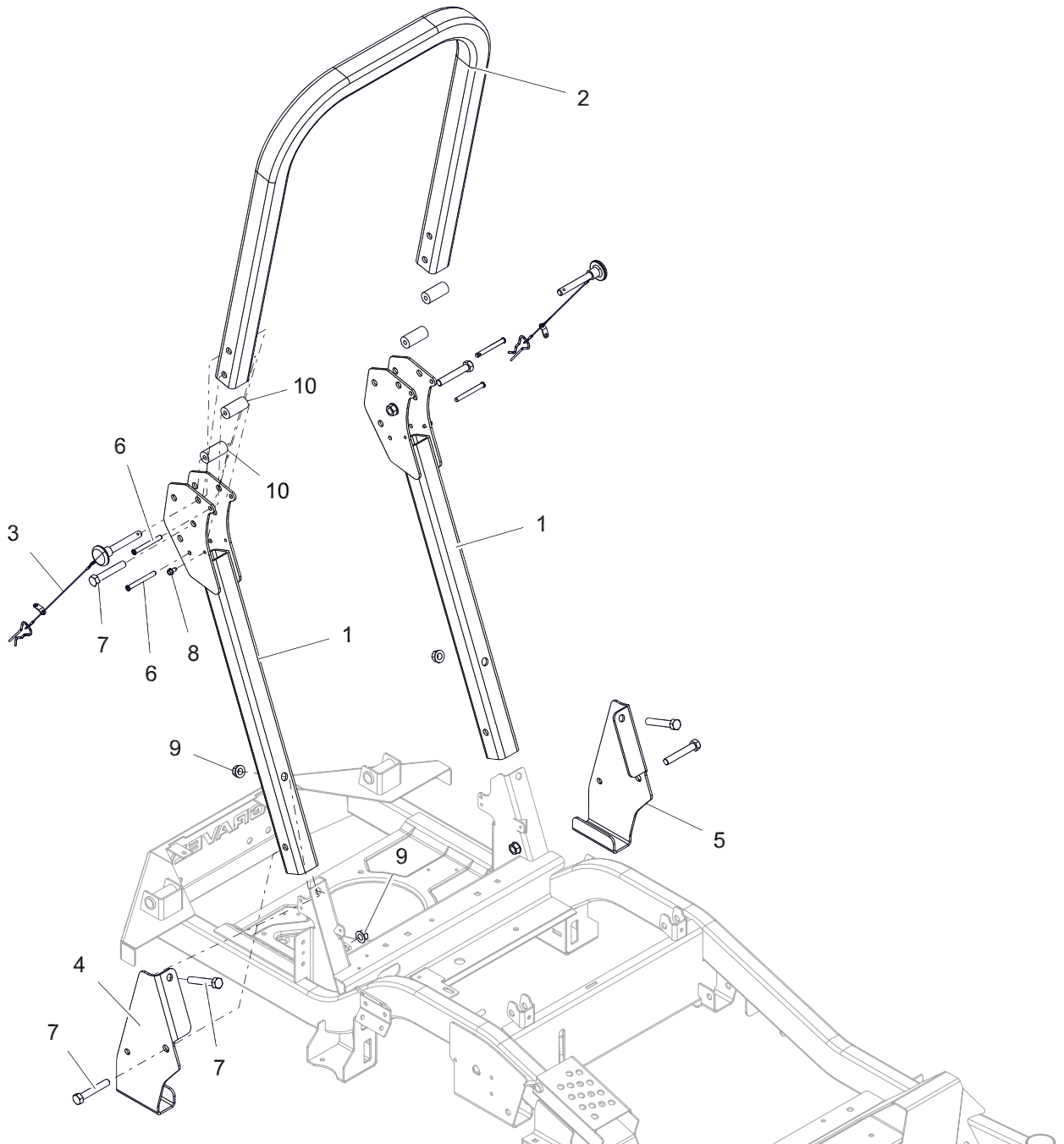
Model All



BOM ID	Number	Qty	Description
1	04998551	1	HANDLE, PARKING BRAKE - WLDMT (BLACK)
2	04998600	1	ARM, BRAKE - LH (W/PIN)
3	05199700	2	LINK, STAMPED - STEERING 4.25"
4	06900706	1	CABLE, BRAKE - PARKING
5	03834300	1	SWITCH, SNAP IN -N.O./N.O
6	03764800	1	TRUNNION, 1/4-20
7	05097200	1	GRIP, PARKING
8	09389500	1	ARM, BRAKE - RH
9	04999000	2	ROD, LINK - TRANSMISSION BRAKE
10	04999100	1	ROD, OVER CENTER
11	05000600	1	ROD, BRAKE LINK
12	05500106	1	SPACER SLEEVED .385 X .500 X 1.045
13	05501315	2	BUSHING FLANGED
14	05700125	1	RING, RETAINING-E .25X.025
15	05901724	2	BLT, HEX 0.375-16X1.25 GR5 ZC120
16	05901928	2	BLT, HEX 0.375-16X1.5 GR5 ZCC
17	06200236	2	BTL,RHSSN .375-16 X 1.25 G5 ZCC
18	06200310	2	BTL,RHSSN .313-18 X 1.25 G5 ZCC
19	06401017	6	WSHR-FL-STL 0.344X0.688X0.065 ZC120
20	06401023	1	WSHR-FL-STL 0.375X0.875X0.083 ZC120
21	06500822	8	NUT, FLG-TOP LK .375-16 GRF ZC120
22	06500904	7	NUT, FLG-TOP LK .312-18 GR5 ZCC
23	06500910	2	NUT-JAM .375-16 GR2 ZCC
24	06700222	4	PIN, HAIR #213 .08X1.19 ZCC
25	07001734	2	BLT, SHLDR .38X.25 -.31-18X.75THD
26	08300028	2	SPRG, COMPRESSION
27	08320900	1	SPRG, COMPRESSION
28	09191051	2	PLATE, TRANSAXLE (BLACK)
29	09374800	2	SPACER SLV .385X.500X.718

ROPS

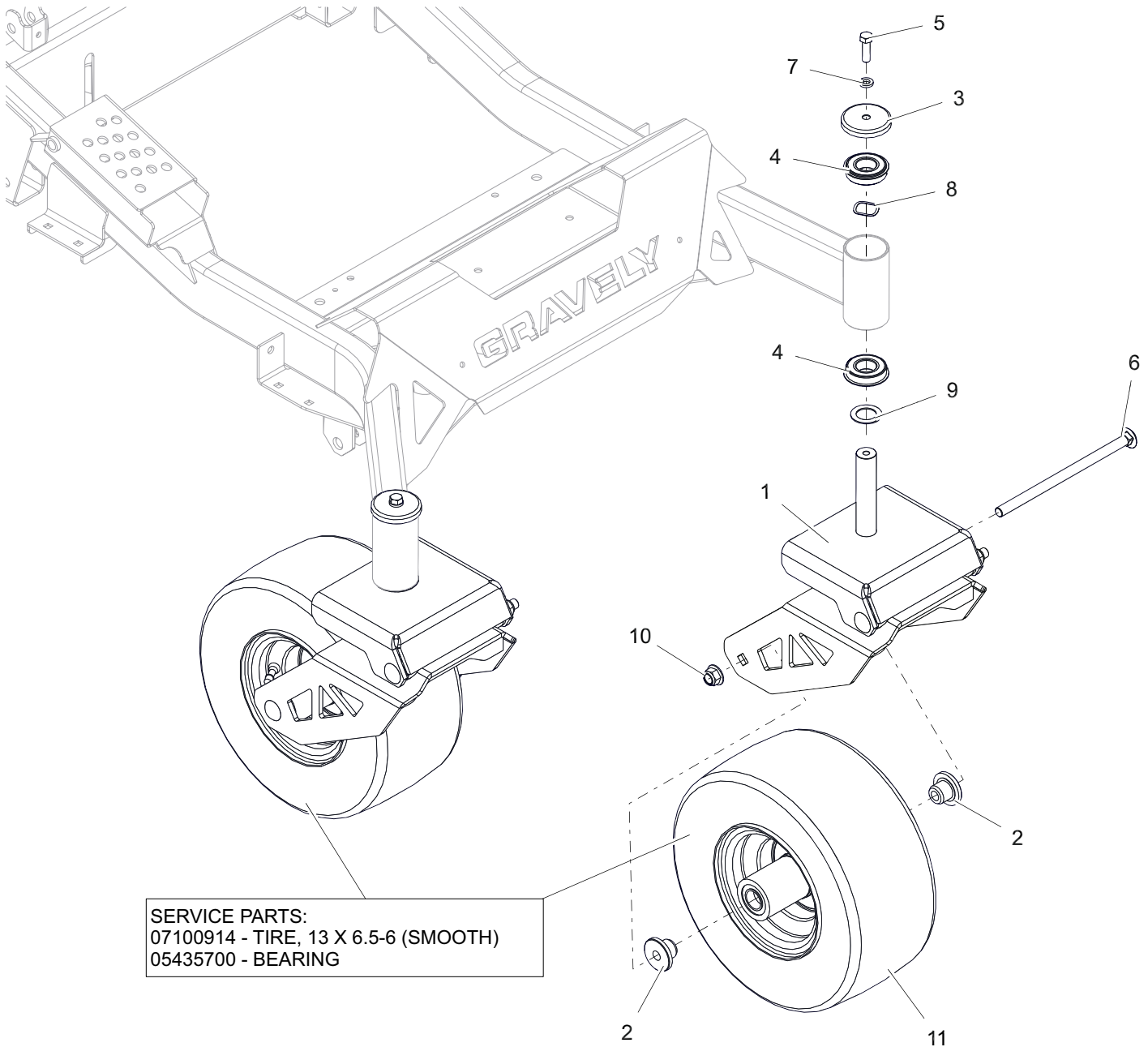
Model All



BOM ID	Number	Qty	Description
1	59113900	2	ROPS, REPLACEMENT
2	05022300	1	HOOP, PT Z & ZX ROPS
3	04898200	2	PIN, ROPS W/LANYARD
4	05116451	1	BRKT, SUPPORT ROPS-RH (BLACK)
5	05116551	1	BRKT, SUPPORT ROPS-LH (BLACK)
6	07001826	4	PIN, SLIC .312 X 2.57
7	05901737	6	BLT, HEX 0.5-13X3 GR5 ZCC
8	07400122	2	SCR-TAP .25-20X.50 HWH ZCC
9	06500902	6	NUT, FLG-CTR LK .500-13 GF ZCC
10	04884200	4	BUMPER, ROPS ANTI-VIBRATION

FRONT CASTER WHEELS

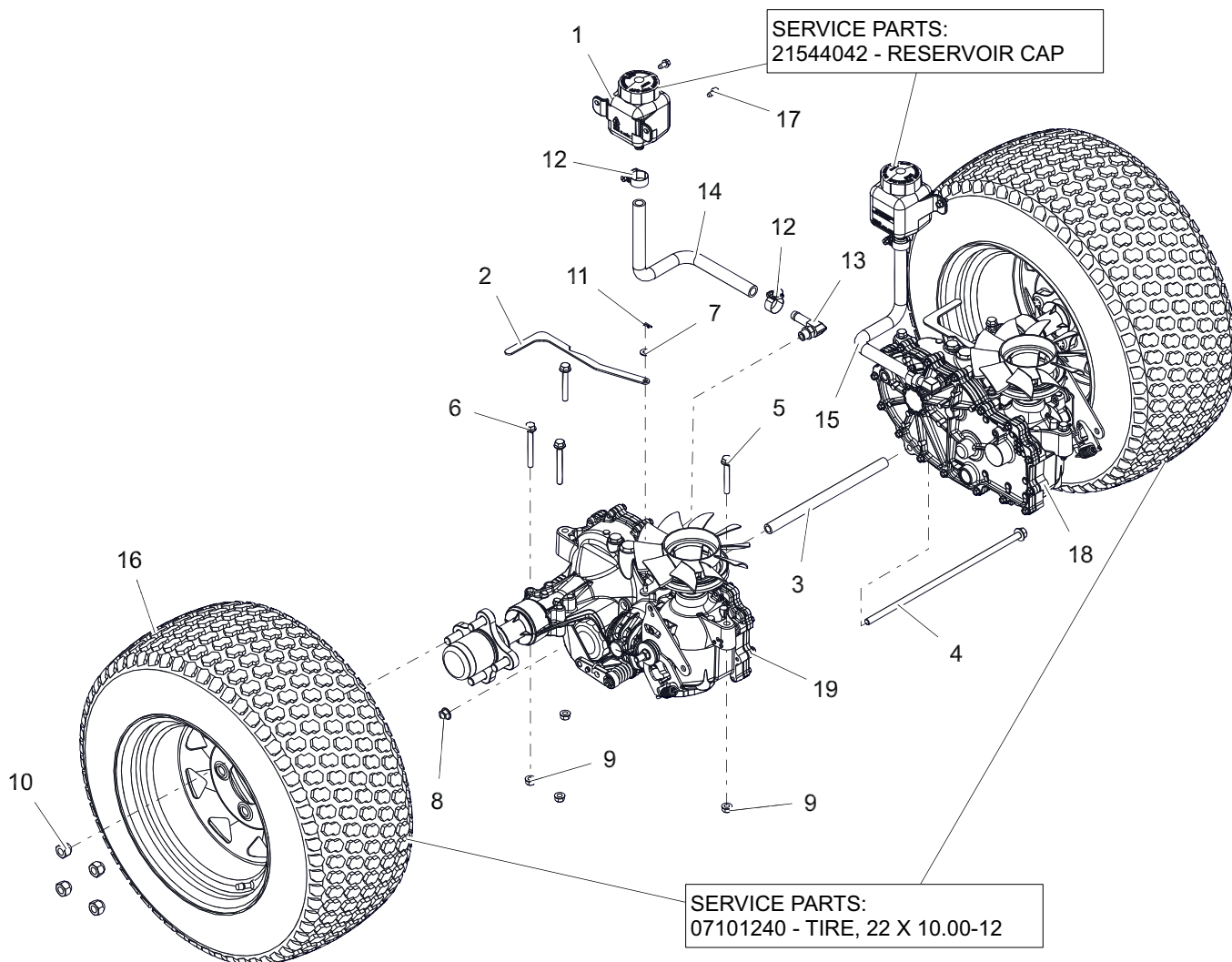
Model All



BOM ID	Number	Qty	Description
1	09360753	2	ASM, SUSPENSION FORK
2	00675300	4	SPACER FLANGED SPACER, FRONT WHEEL
3	05198400	2	SHIELD, AXLE BEARING
4	05400728	4	BEARING, BALL -2.000 OD X 1.000 ID X .5625 W/RING
5	05901724	2	BLT, HEX 0.375-16X1.25 GR5 ZC120
6	06200322	2	BTL,RHSN .500-13 X 9 G5 ZCC
7	06300120	2	WSHR,LK-HVY 0.377 X 0.115 ZCC
8	06401030	2	WASHER, WAVE
9	06416600	2	WSHR, HRD THRS 1.007X1.542X.062
10	06500810	2	NUT, LK-NYL-FLG .50-13 GR5 ZC120
11	07101226	2	ASSM TIRE/WHEEL, 13 X 6.50-6

REAR TIRES AND TRANSAXLES – 48"

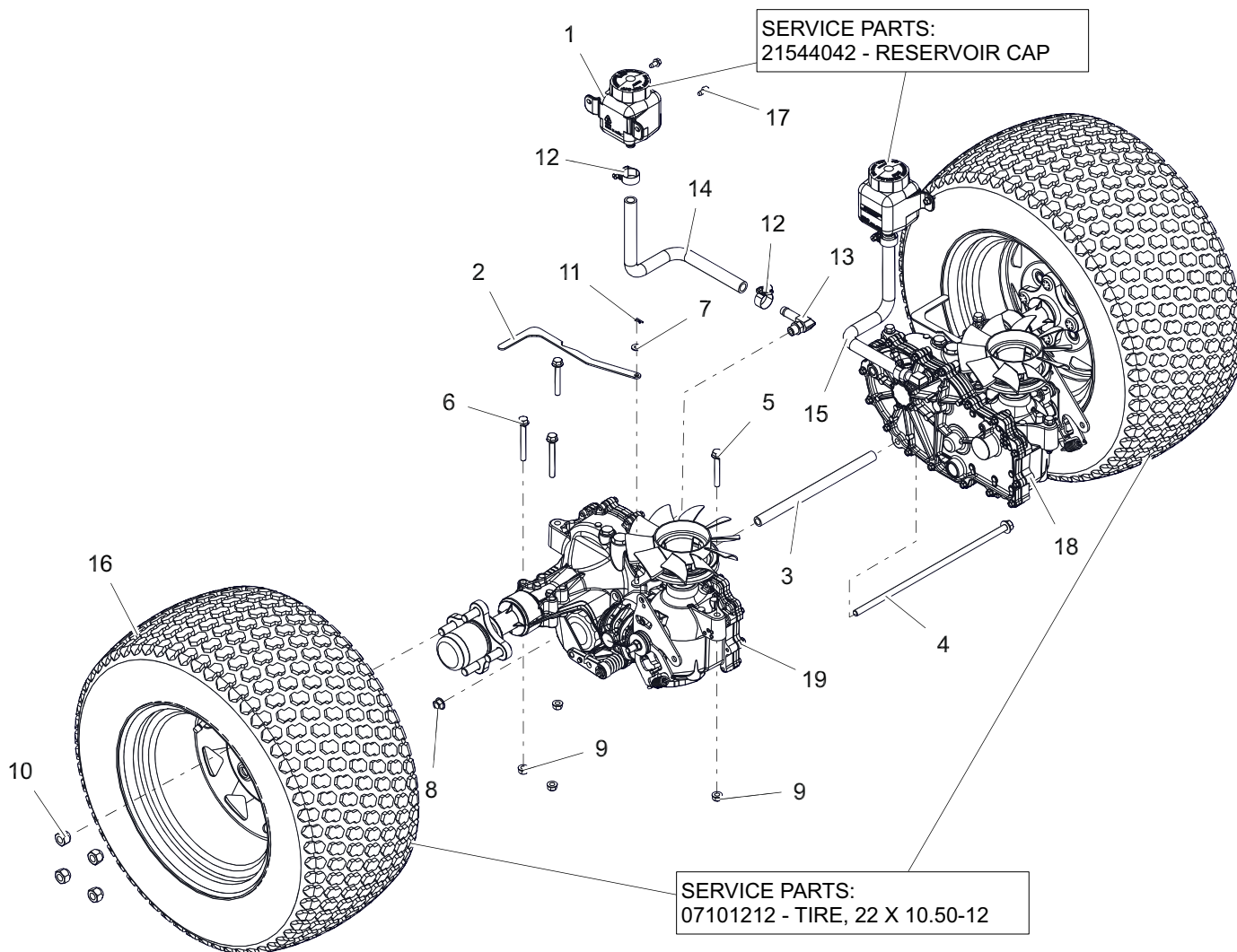
Model 991280



BOM ID	Number	Qty	Description
1	02970200	2	TANK, EXPANSION
2	05076751	2	BRKT, VALVE DUMP
3	05196451	1	SPCR, TRANSAXLE .406 ID X .630 OD X 9.95LG (BLACK)
4	05901903	1	BLT, HEX-FLG 0.375-16X13 GR5 ZC120
5	05901910	4	BLT, HEX-FLG 0.312-18X2.25 GR5 ZCC
6	05901911	4	BLT, HEX-FLG 0.312-18X2.75 GR5 ZCC
7	06401001	2	WSHR-FL-STL 0.281X0.625X0.065 ZC120
8	06500822	1	NUT, FLG-TOP LK .375-16 GRF ZC120
9	06500840	8	NUT, FLG-CTR LK .312-18 GR5 ZCC
10	06500926	8	NUT, WHEEL .500-20 ZCC
11	06700223	2	PIN, HAIR #225 .072X1.09
12	06923500	4	CLAMP, HOSE - #8 SAE
13	07001528	2	FITTING, HYD (90 DEG)
14	07001803	1	HOSE, EXPANSION - HD RH
15	07001804	1	HOSE, EXPANSION TANK -HD LH
16	07101224	2	ASSM TIRE/WHEEL, 22 X 10.00 - 12
17	07400122	4	SCR-TAP .25-20X.50 HWH ZCC
18	09360900	1	TRANSAXLE, ZT3200 - LH
19	09361000	1	TRANSAXLE, ZT3200 - RH

REAR TIRES AND TRANSAXLES – 52"

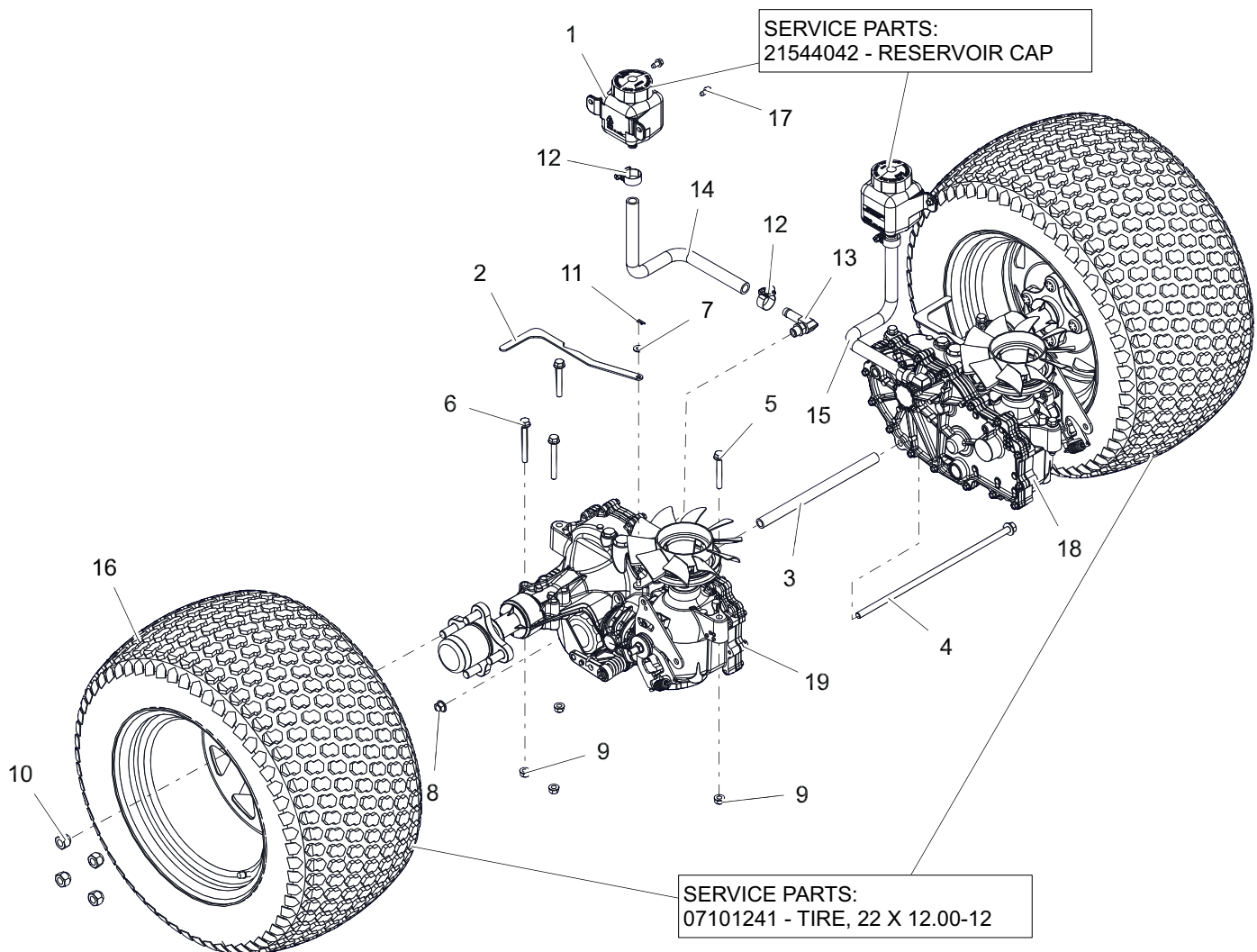
Model 991282



BOM ID	Number	Qty	Description
1	02970200	2	TANK, EXPANSION
2	05076751	2	BRKT, VALVE DUMP
3	05196451	1	SPCR, TRANSAXLE .406 ID X .630 OD X 9.95LG (BLACK)
4	05901903	1	BLT, HEX-FLG 0.375-16X13 GR5 ZC120
5	05901910	4	BLT, HEX-FLG 0.312-18X2.25 GR5 ZCC
6	05901911	4	BLT, HEX-FLG 0.312-18X2.75 GR5 ZCC
7	06401001	2	WSHR-FL-STL 0.281X0.625X0.065 ZC120
8	06500822	1	NUT, FLG-TOP LK .375-16 GRF ZC120
9	06500840	8	NUT, FLG-CTR LK .312-18 GR5 ZCC
10	06500926	8	NUT, WHEEL .500-20 ZCC
11	06700223	2	PIN, HAIR #225 .072X1.09
12	06923500	4	CLAMP, HOSE - #8 SAE
13	07001528	2	FITTING, HYD (90 DEG)
14	07001803	1	HOSE, EXPANSION - HD RH
15	07001804	1	HOSE, EXPANSION TANK -HD LH
16	07101211	2	ASSM TIRE/WHEEL, 22 X 10.50 - 12
17	07400122	4	SCR-TAP .25-20X.50 HWH ZCC
18	09360900	1	TRANSAXLE, ZT3200 - LH
19	09361000	1	TRANSAXLE, ZT3200 - RH

REAR TIRES AND TRANSAXLES – 60"

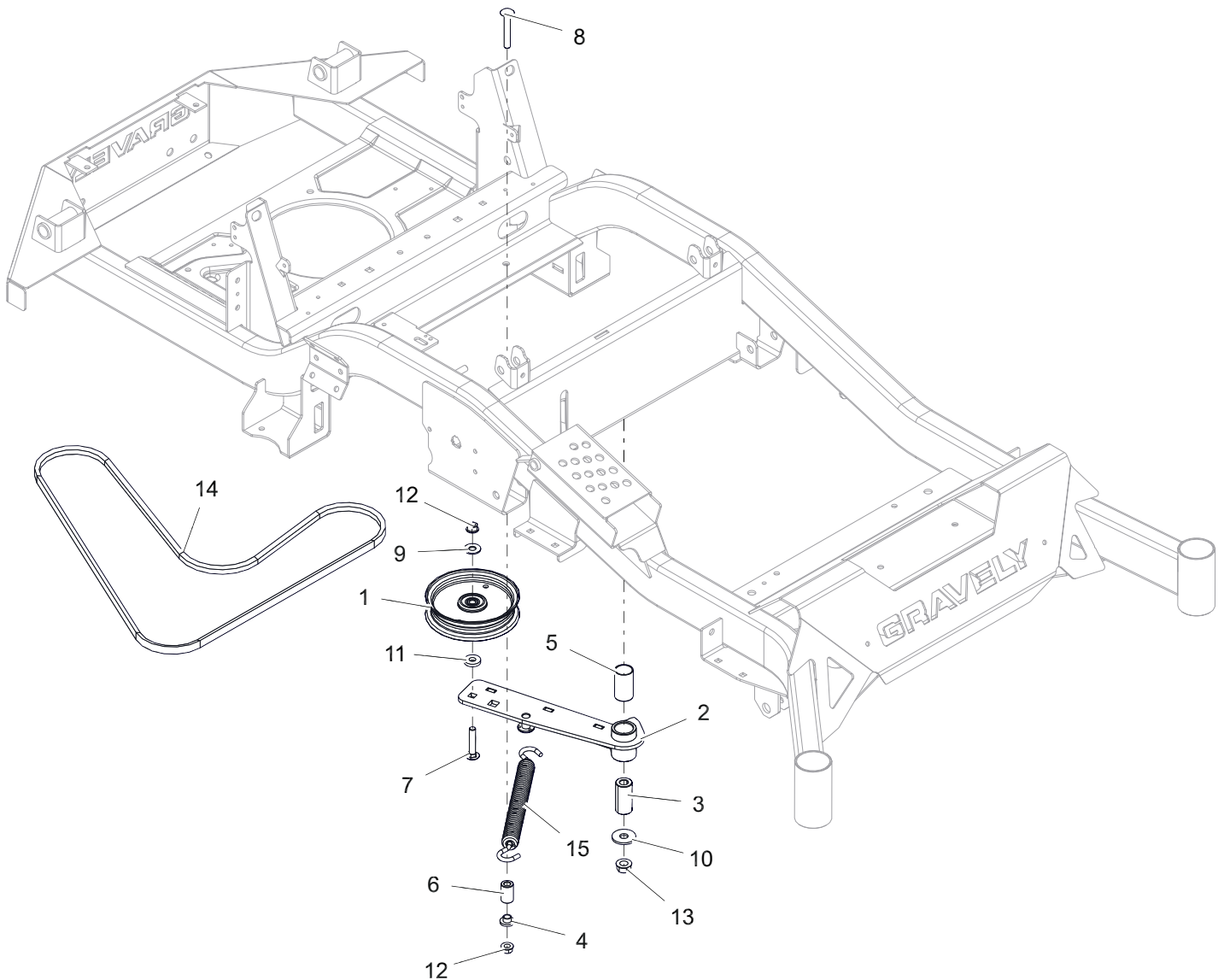
Model 991284



BOM ID	Number	Qty	Description
1	02970200	2	TANK, EXPANSION
2	05076751	2	BRKT, VALVE DUMP
3	05196451	1	SPCR, TRANSAXLE .406 ID X .630 OD X 9.95LG (BLACK)
4	05901903	1	BLT, HEX-FLG 0.375-16X13 GR5 ZC120
5	05901910	4	BLT, HEX-FLG 0.312-18X2.25 GR5 ZCC
6	05901911	4	BLT, HEX-FLG 0.312-18X2.75 GR5 ZCC
7	06401001	2	WSHR-FL-STL 0.281X0.625X0.065 ZC120
8	06500822	1	NUT, FLG-TOP LK .375-16 GRF ZC120
9	06500840	8	NUT, FLG-CTR LK .312-18 GR5 ZCC
10	06500926	8	NUT, WHEEL .500-20 ZCC
11	06700223	2	PIN, HAIR #225 .072X1.09
12	06923500	4	CLAMP, HOSE - #8 SAE
13	07001528	2	FITTING, HYD (90 DEG)
14	07001803	1	HOSE, EXPANSION - HD RH
15	07001804	1	HOSE, EXPANSION TANK -HD LH
16	07101227	2	ASSM TIRE/WHEEL, 22 X 12.00 - 12
17	07400122	4	SCR-TAP .25-20X.50 HWH ZCC
18	09360900	1	TRANSAXLE, ZT3200 - LH
19	09361000	1	TRANSAXLE, ZT3200 - RH

TRANSAXLE DRIVE

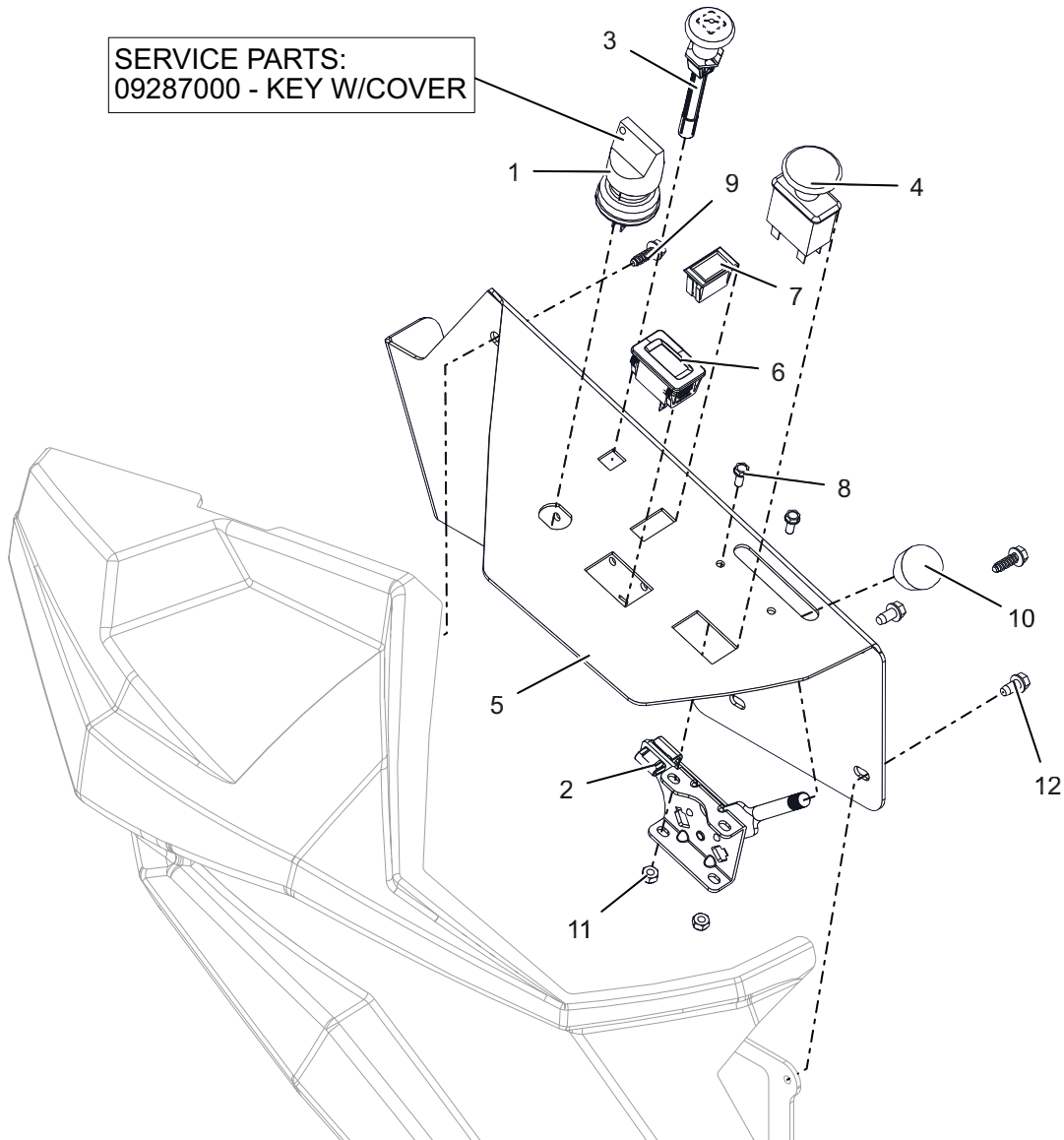
Model All



BOM ID	Number	Qty	Description
1	07351200	1	IDLER, FLAT - .500 X .75
2	59116700	1	ASM, HYDRO IDLER ARM W/ BUSHING
3	01581700	1	SPACER SLEEVED .502X.997X2.03
4	05500435	1	BUSHING FLANGED FLG .385 X .500 X .875 X .406
5	05501234	1	BSHG, 1.00x1.125x1.9375
6	05501308	1	BUSHING SLEEVED .380 X .750 X 1.190
7	06200314	1	BTL,RHSN .375-16 X 2 G5 ZCC
8	06200315	1	BTL,RHSSN .375-16 X 2.5 G5 ZCC
9	06401008	1	WSHR-FL-STL 0.438X1X0.083 ZC120
10	06401022	1	WSHR-FL-STL 0.511X1.44X0.125 ZCC
11	06401108	1	WSHR-FL-STL 0.406X1X0.188 ZCC
12	06500822	2	NUT, FLG-TOP LK .375-16 GRF ZC120
13	06500907	1	NUT, FLG-TOP LK .500-13 GF ZCC
14	07225600	1	V-BELT, 4L-WRAPPED
15	08300711	1	SPRG, EXTENSION - SWIVEL

CONTROL PANEL

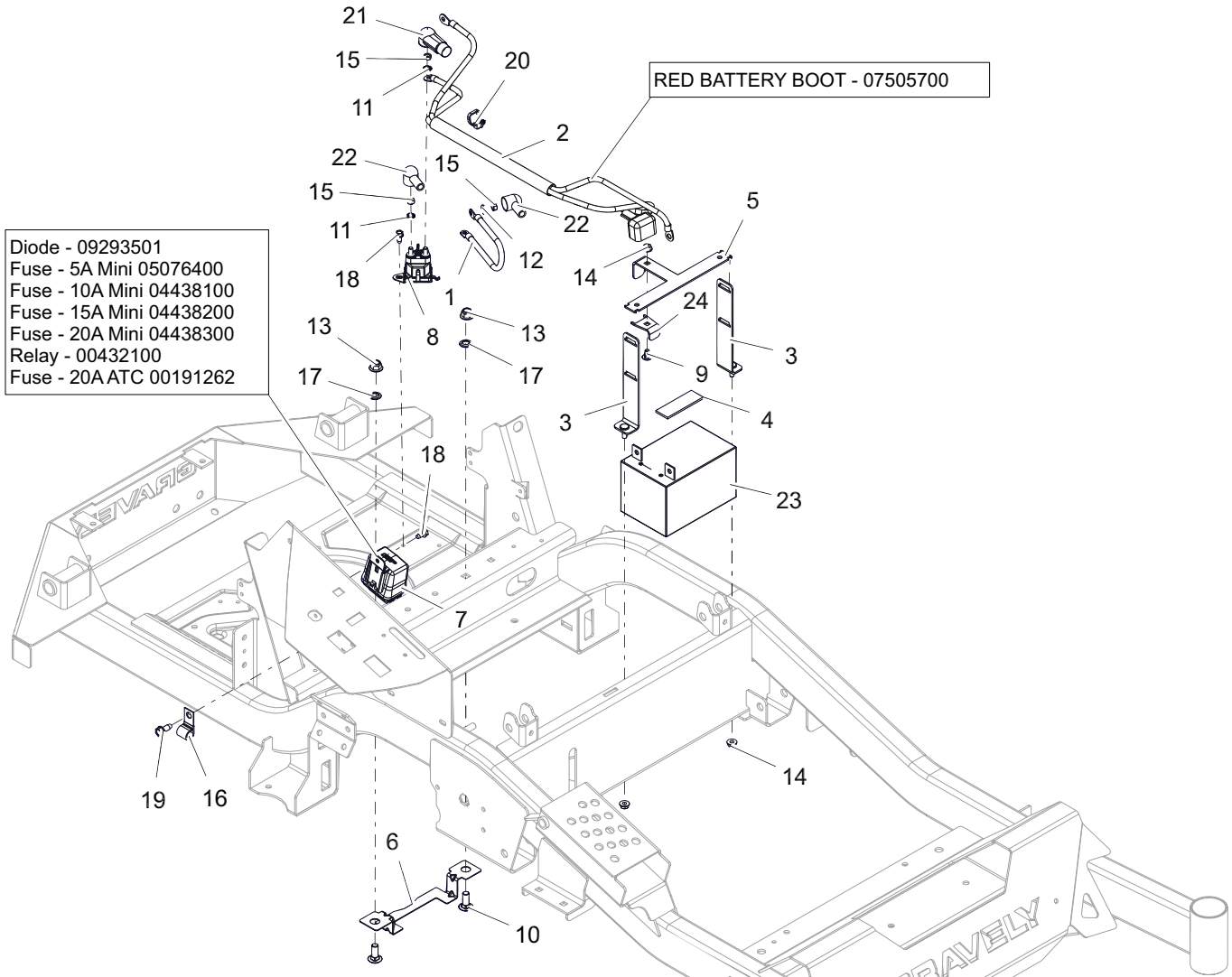
Model All



BOM ID	Number	Qty	Description
1	04331600	1	SWITCH, IGNITION
2	06900619	1	CABLE, PRO THROTTLE CONTROL
3	06900621	1	CABLE, CHOKE
4	01545600	1	SWITCH, CLUTCH
5	09189053	1	PANEL, HD CONTROL (RED)
6	05254800	1	HOUR METER
7	09003300	1	SWITCH, BLANK
8	05901825	2	SCR-MCH 10-24X.50 HWH ZCC
9	06100231	2	SCR, PLASTITE-HWH 0.25 X 0.75 ZC120
10	07500132	1	KNOB, CONTROL BLACK .38-16X.50
11	06500915	2	NUT, LK-NYL #10-24 GR5 ZC120
12	07400122	2	SCR-TAP .25-20X.50 HWH ZCC

ELECTRICAL

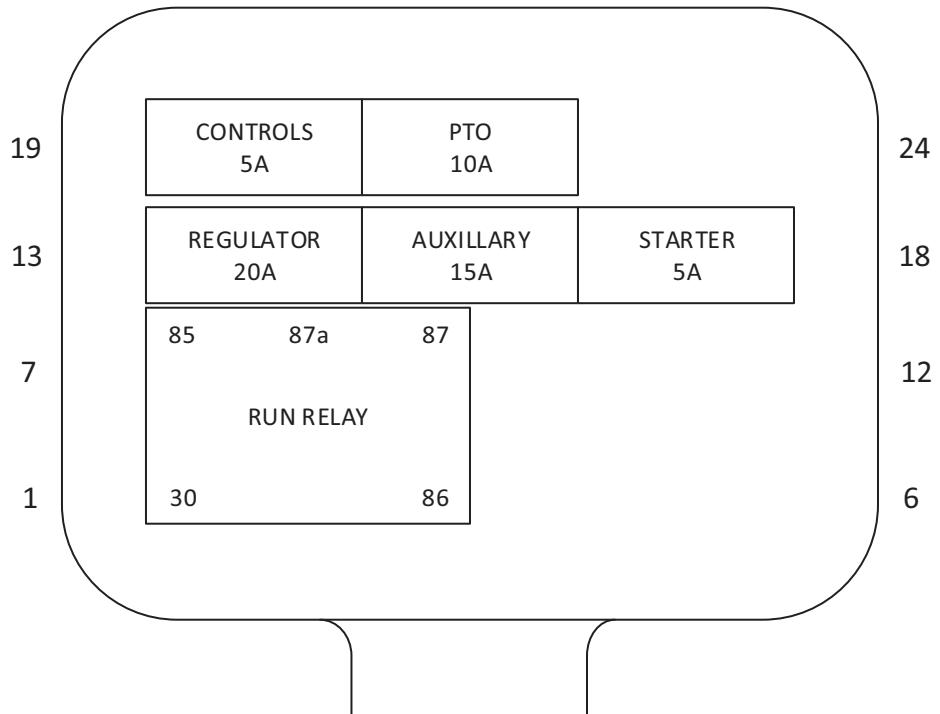
Model All



BOM ID	Number	Qty	Description
1	04783300	1	CABLE, POS W/(2) 1/4 RING 9.0 LG
2	05074100	1	HARNESS, BATTERY
3	05107451	2	WLDMT, BATTERY MOUNT HOLD DOWN (BLACK)
4	04850000	1	PAD, RBR 1.0"X3.0" W/ADHESIVE
5	05031551	1	BRKT, BATTERY TIE DOWN (BLACK)
6	05111451	1	GUARD, ELEC HARNESS (BLACK)
7	05155300	1	HARNESS, WIRE
8	05167200	1	SOLENOID, STARTER (SEALED)
9	06200306	1	BTL,RHSN .250-20 X 0.5 G5 ZCC
10	06200313	2	BTL,RHSN .375-16 X 1 G5 ZCC
11	06300118	2	WSHR-LK-EXT 0.262X0.502X0.026 ZC120
12	06300119	1	WSHR,LK-REG 0.314 X 0.078 ZCC
13	06500726	2	NUT, LK-NYL-FLG .38-16 GR5 ZC120
14	06500903	3	NUT, FLG-TOP LK .250-20 GR5 ZC120
15	06500925	3	NUT, HEX M6-1.0 GR8.8 ZC120
16	06916000	1	J-CLAMP
17	07009900	2	NUT, PUSH .38 DIA. PAL ZINC
18	07400122	2	SCR-TAP .25-20X.50 HWH ZCC
19	07400127	1	SCR-TAP .312-18X.75 HWH ZCC
20	07500040	1	CABLE, TIE W/TREE (.25 HOLE)
21	07500401	1	BOOT, .65 ID POS
22	07533200	2	BOOT, EYELET TERMINAL
23	09425500	1	BATTERY, 12V 12A -190CCA
24	09425700	1	BRKT, BATTERY HOLD

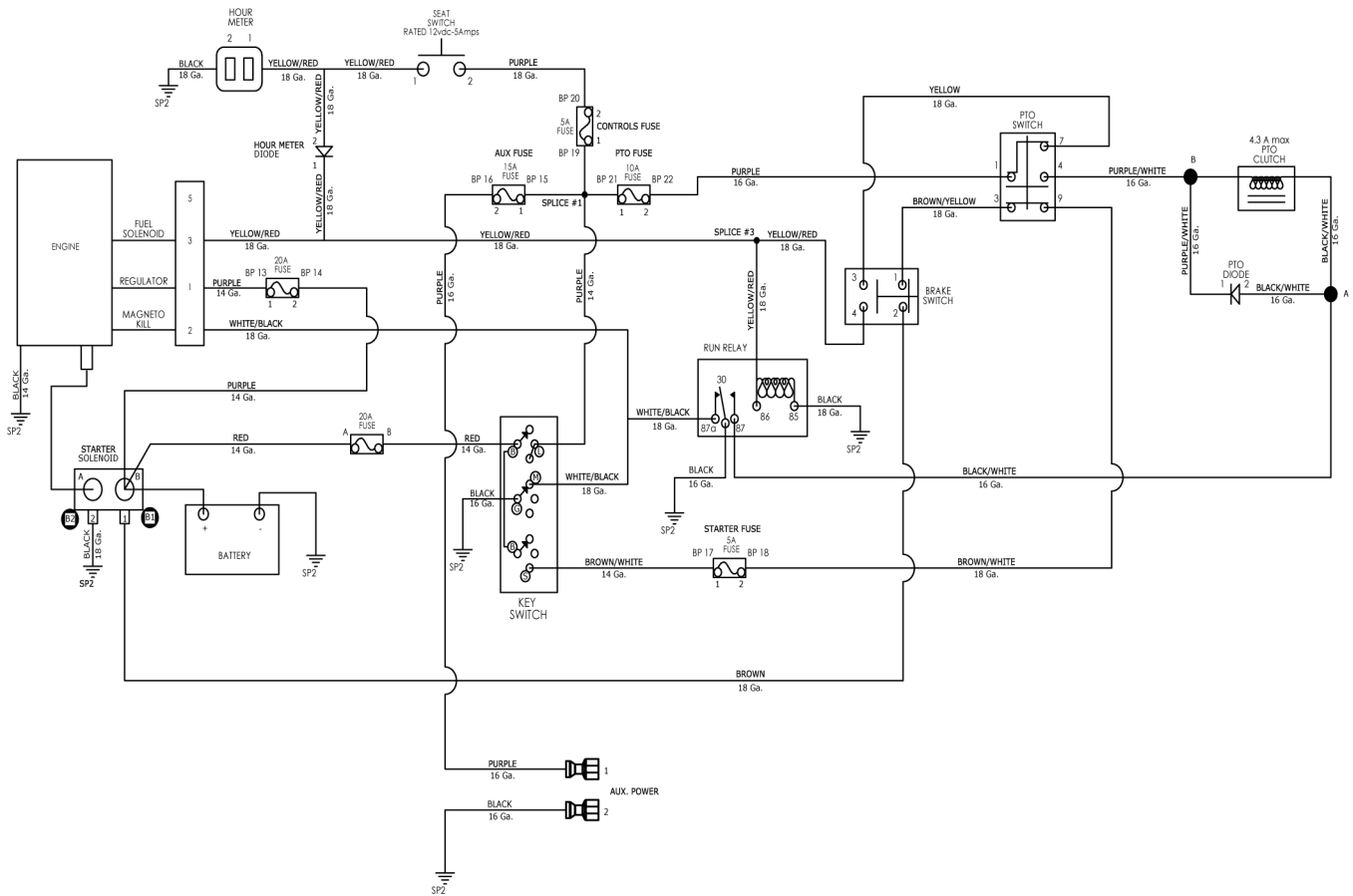
ELECTRICAL – FUSE BOX LAYOUT

Model All



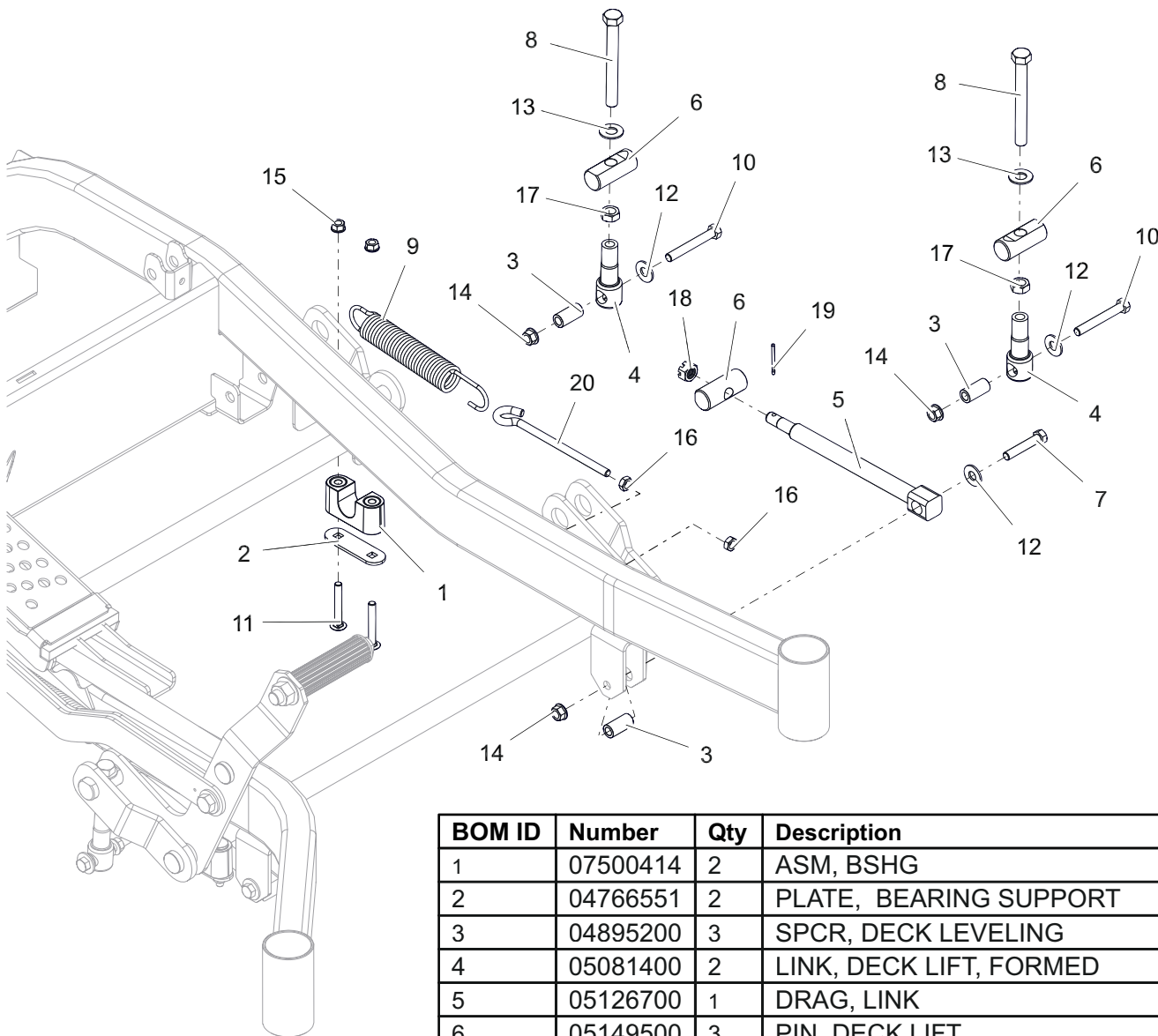
WIRING DIAGRAM

Model All



DECK LIFT – LH

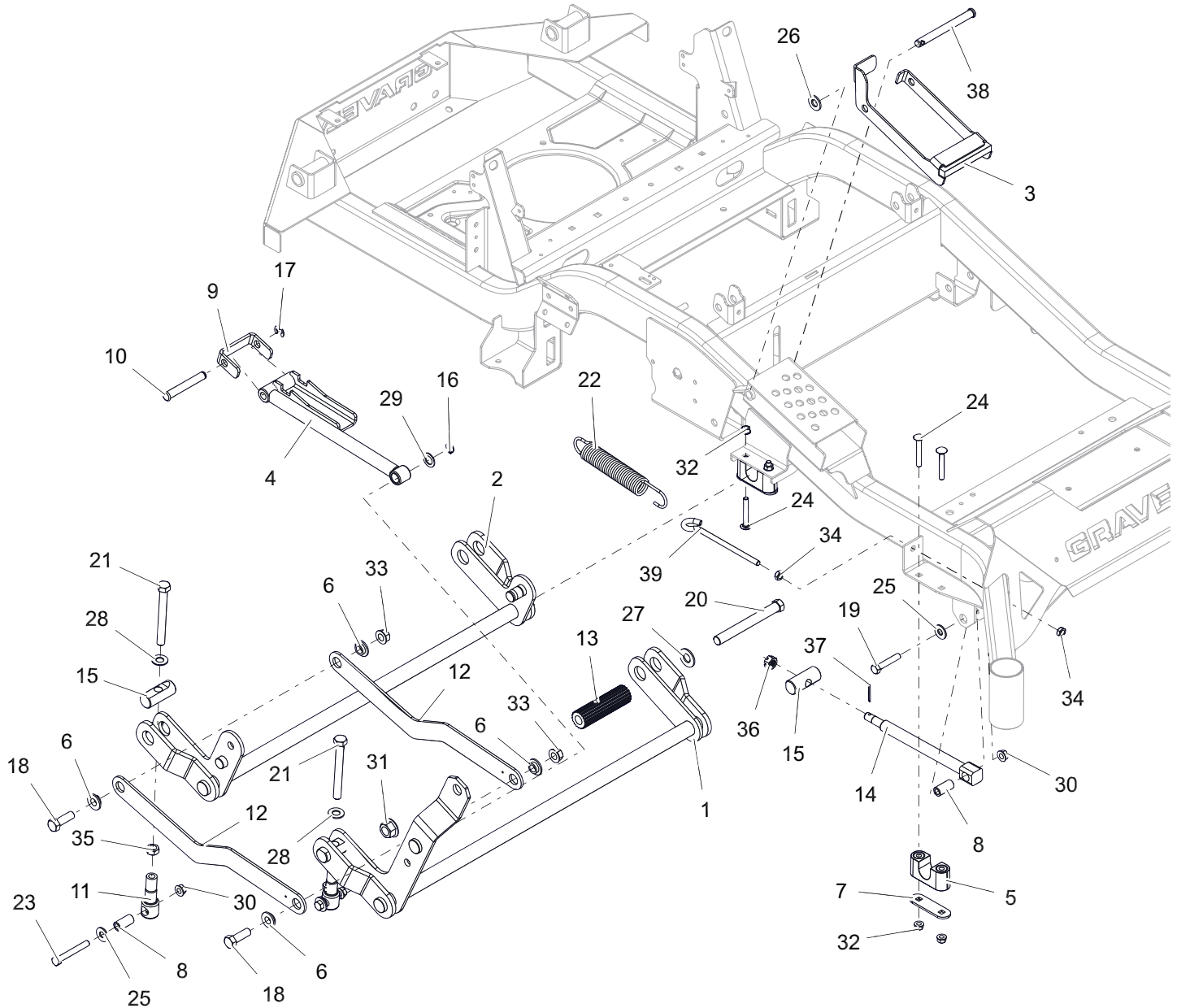
Model All



BOM ID	Number	Qty	Description
1	07500414	2	ASM, BSHG
2	04766551	2	PLATE, BEARING SUPPORT
3	04895200	3	SPCR, DECK LEVELING
4	05081400	2	LINK, DECK LIFT, FORMED
5	05126700	1	DRAG, LINK
6	05149500	3	PIN, DECK LIFT
7	05901718	1	BLT, HEX 0.375-16X2 GR5 ZC120
8	05901736	2	BLT, HEX 0.5-13X4.5F GR8 ZCC
9	08319000	1	SPRG, TENSION .162 X 1.250 X 8.250
10	05901813	2	BLT, HEX 0.375-16X2.75 GR8 ZCC
11	06200311	4	BTL,RHSSN .313-18 X 2.25 G5 ZCC
12	06401008	3	WSHR-FL-STL 0.438X1X0.083 ZC120
13	06401116	2	WSHR-FL-STL 0.526X1.055X0.074 HRD
14	06500822	3	NUT, FLG-TOP LK .375-16 GRF ZC120
15	06500840	4	NUT, FLG-CTR LK .312-18 GR5 ZCC
16	06500910	2	NUT-JAM .375-16 GR2 ZCC
17	06500911	2	NUT, JAM .50-13 GR5 ZC120
18	06505000	1	NUT, -SL .50-13
19	06700212	1	PIN, CTR .12X1.25 EXTPRSQCT ZC120
20	07001814	1	BOLT, .38-16X5.25-.62 DIA EYE

DECK LIFT – RH

Model All

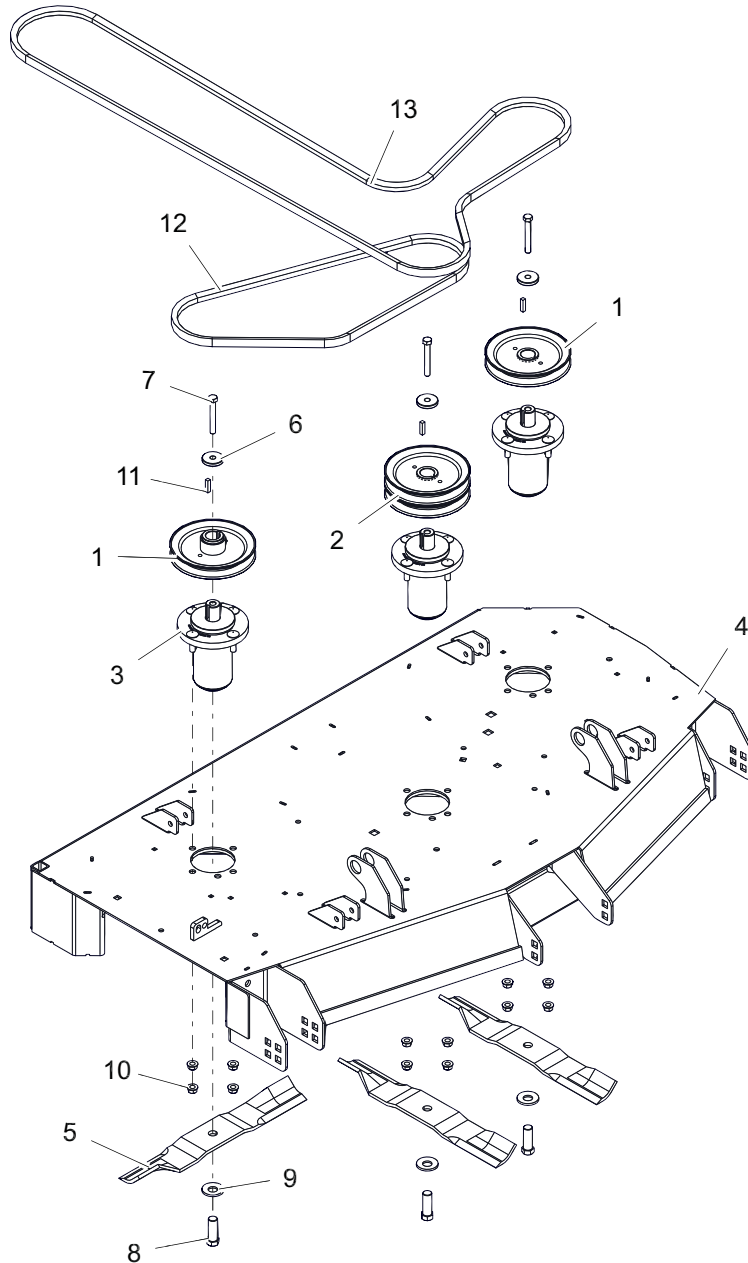


BOM ID	Number	Qty	Description
1	05019651	1	WLDMT, FRONT DECK LIFT PIVOT
2	05019751	1	WLDMT, REAR DECK LIFT PIVOT (BLACK)
3	05025251	1	WLDMT, HOC TRANSFER LOCK (BLACK)
4	05186351	1	WLDMT, HOC LIFT ARM (BLACK)
5	07500414	2	ASM, BSHG
6	03989100	4	BUSHING FLANGED .515X.750X.31X1.12
7	04766551	2	PLATE, BEARING SUPPORT
8	04895200	3	SPCR, DECK LEVELING
9	05077551	1	BRKT, HOC LINE (BLACK)
10	05800210	1	PIN, .499/.494 x 3.385 CLEVIS
11	05081400	2	LINK, DECK LIFT, FORMED
12	05083951	2	LINK, DECK
13	05120951	1	ROD, FOOT PEDAL (BLACK)
14	05126700	1	DRAG, LINK
15	05149500	3	PIN, DECK LIFT
16	05709200	1	RG-RTNG-EXT .625x.050
17	05710200	1	RING, RETAINING-E .500X.042
18	05901631	2	BLT, HEX 0.5-13X1.5 GR5 ZC120
19	05901718	1	BLT, HEX 0.375-16X2 GR5 ZC120
20	05901730	1	BLT, HEX 0.625-11X5.5 GR5 ZB500

BOM ID	Number	Qty	Description
21	05901736	2	BLT, HEX 0.5-13X4.5F GR8 ZCC
22	08319000	1	SPRG, TENSION .162 X 1.250 X 8.250
23	05901813	2	BLT, HEX 0.375-16X2.75 GR8 ZCC
24	06200311	4	BTL,RHSSN .313-18 X 2.25 G5 ZCC
25	06401008	3	WSHR-FL-STL 0.438X1X0.083 ZC120
26	06401015	1	WSHR-FL-STL 0.531X1.062X0.095 ZC120
27	06401039	1	WSHR-FL-STL 0.656X1.312X0.095 RIE5230
28	06401116	2	WSHR-FL-STL 0.526X1.055X0.074 HRD
29	06401117	1	WSHR-FL-STL 0.63X1.005X0.062 ZCC
30	06500822	3	NUT, FLG-TOP LK .375-16 GRF ZC120
31	06500835	1	NUT,FLG-TOP LK .625-11 FBP
32	06500840	4	NUT, FLG-CTR LK .312-18 GR5 ZCC
33	06500907	2	NUT, FLG-TOP LK .500-13 GF ZCC
34	06500910	2	NUT-JAM .375-16 GR2 ZCC
35	06500911	2	NUT, JAM .50-13 GR5 ZC120
36	06505000	1	NUT, -SL .50-13
37	06700212	1	PIN, CTR .12X1.25 EXTPRSQCT ZC120
38	06800201	1	PIN, SLIC-.500X4.97X4.55 -ZC
39	07001814	1	BOLT, .38-16X5.25-.62 DIA EYE

DECK, BELTS, BLADES AND SPINDLES – 48"

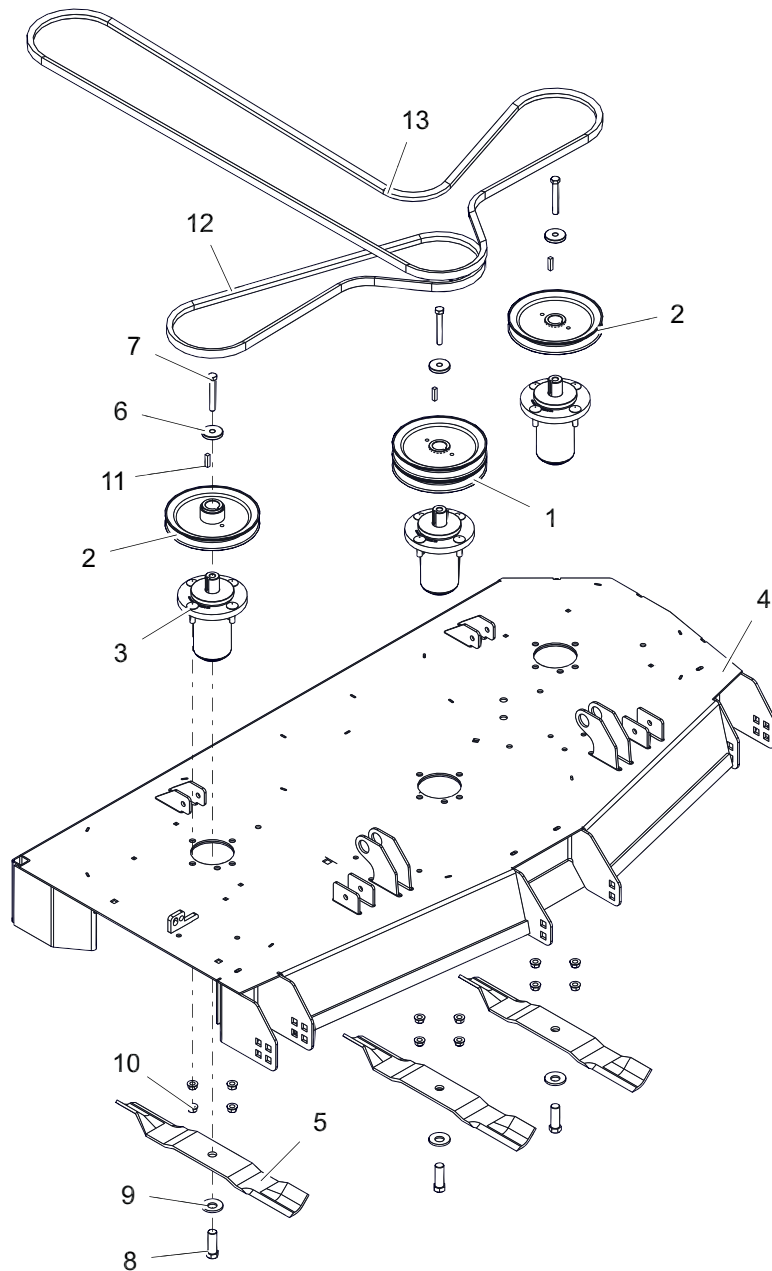
Model 991280



BOM ID	Number	Qty	Description
1	07332100	2	PULLEY, SINGLE -1.000 ID X 6.000 OD
2	07332300	1	PULLEY, DOUBLE 1.000 ID X 6.000 OD
3	58810800	3	ASM, ALUM SPINDLE
4	59118100	1	KIT, DECK - 48 W/DECALS - XF3
5	00450200	3	BLADE, 16.19" MOWER (HI-LIFT)
6	04530500	3	RETAINER, SHEAVE SPINDLE
7	05901813	3	BLT, HEX 0.375-16X2.75 GR8 ZCC
8	05901822	3	BLT, HEX 0.625-18X1.75 GR8 ZCC
9	06445700	3	WSHR, BLVL-.63X1.625X.14
10	06500901	12	NUT, FLG-CTR LK .375-16 GR5 ZC120
11	06611200	3	KEY-SQ .250X.250X1.00 RC 40-50
12	07200805	1	V-BELT, B 52.46 RAW COGGED
13	07200815	1	V-BELT, HB SECTION

DECK, BELTS, BLADES AND SPINDLES – 52"

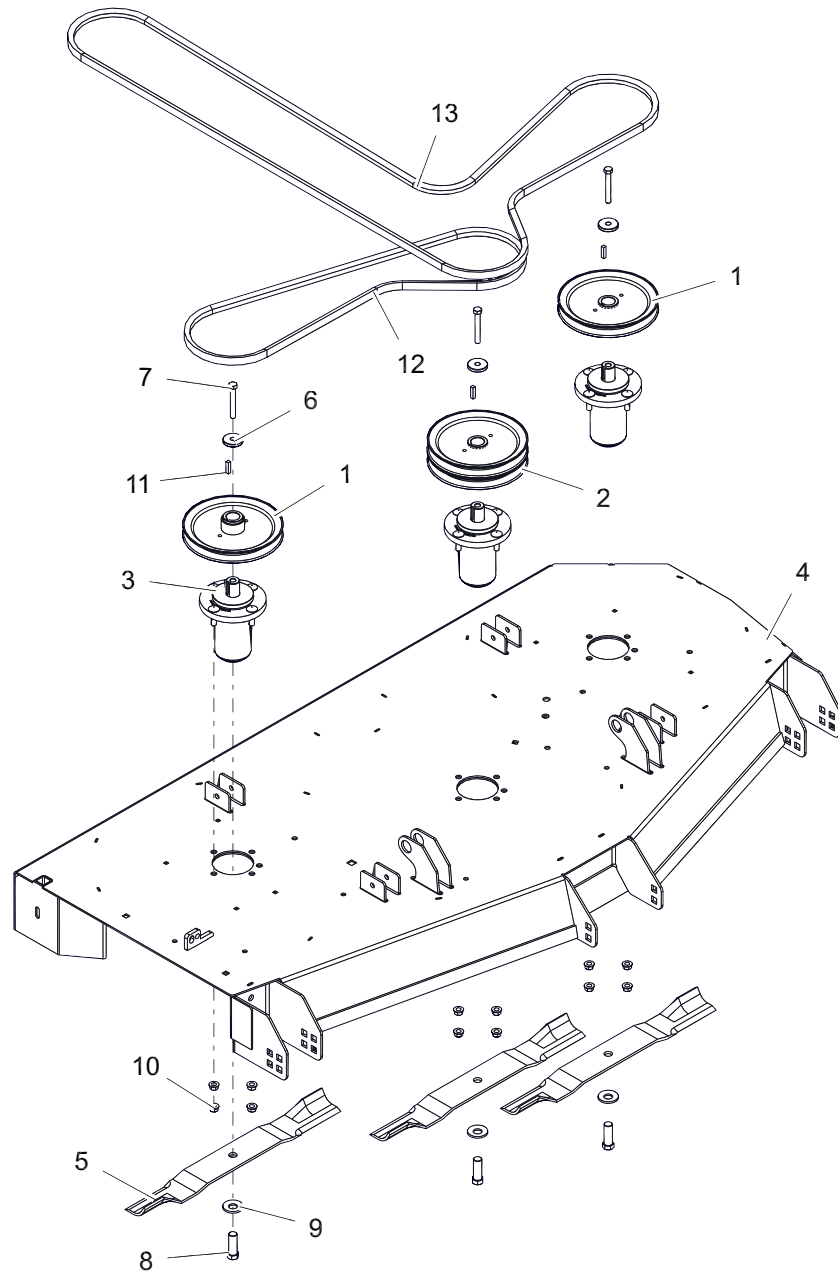
Model 991282



BOM ID	Number	Qty	Description
1	07328800	1	PULLEY, DOUBLE 1.000 ID X 6.750 OD
2	07328900	2	PULLEY, V-1.000 ID X 6.750 OD
3	58810800	3	ASM, ALUM SPINDLE
4	59118200	1	KIT, DECK - 52 W/DECALS - XF3
5	03253800	3	BLADE, 18"
6	04530500	3	RETAINER, SHEAVE SPINDLE
7	05901813	3	BLT, HEX 0.375-16X2.75 GR8 ZCC
8	05901822	3	BLT, HEX 0.625-18X1.75 GR8 ZCC
9	06445700	3	WSHR, BLVL-.63X1.625X.14
10	06500901	12	NUT, FLG-CTR LK .375-16 GR5 ZC120
11	06611200	3	KEY-SQ .250X.250X1.00 RC 40-50
12	07200806	1	V-BELT, B 58.45 RAW COGGED
13	07200816	1	V-BELT, HB SECTION

DECK, BELTS, BLADES AND SPINDLES – 60"

Model 991284



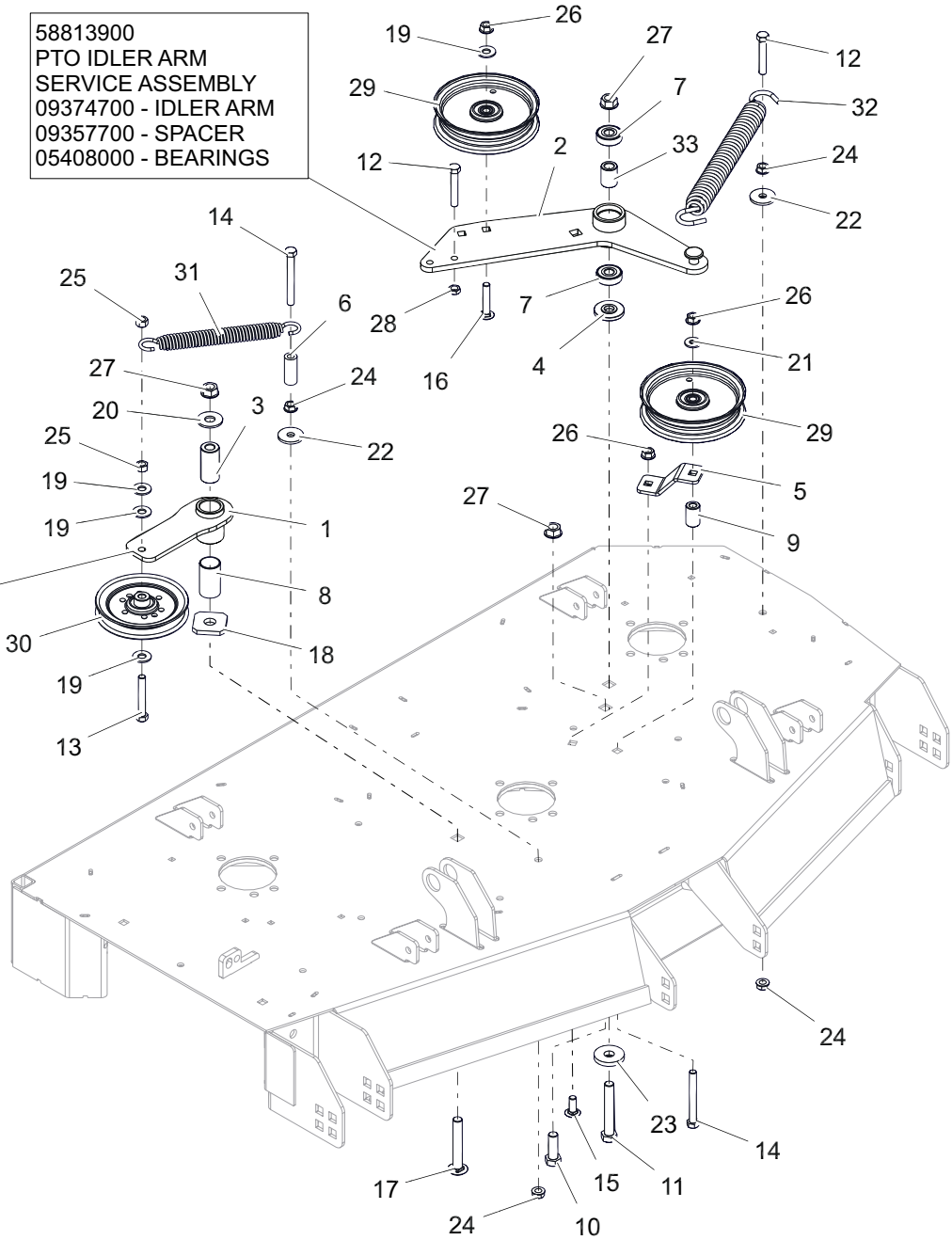
BOM ID	Number	Qty	Description
1	07345967	2	PULLEY, V-1" ID X 7.50" OD (BLACK)
2	07346667	1	PULLEY, DOUBLE 1"X7.50"&7.50" (BLACK)
3	58810800	3	ASM, ALUM SPINDLE
4	59118300	1	KIT, DECK - 60 W/DECALS - XF3
5	03253900	3	BLADE, 20.5"
6	04530500	3	RETAINER, SHEAVE SPINDLE
7	05901813	3	BLT, HEX 0.375-16X2.75 GR8 ZCC
8	05901822	3	BLT, HEX 0.625-18X1.75 GR8 ZCC
9	06445700	3	WSHR, BLVL-.63X1.625X.14
10	06500901	12	NUT, FLG-CTR LK .375-16 GR5 ZC120
11	06611200	3	KEY-SQ .250X.250X1.00 RC 40-50
12	07200807	1	V-BELT, B 65.375 RAW COGGED
13	07200817	1	V-BELT, HB SECTION

IDLERS AND SHEAVES - 48"

Model 991280

58813900
PTO IDLER ARM
SERVICE ASSEMBLY
09374700 - IDLER ARM
09357700 - SPACER
05408000 - BEARINGS

03796400
DECK RH IDLER ARM
SERVICE ASSEMBLY
INCLUDES;
(1) IDLER ARM
(1) BUSHING

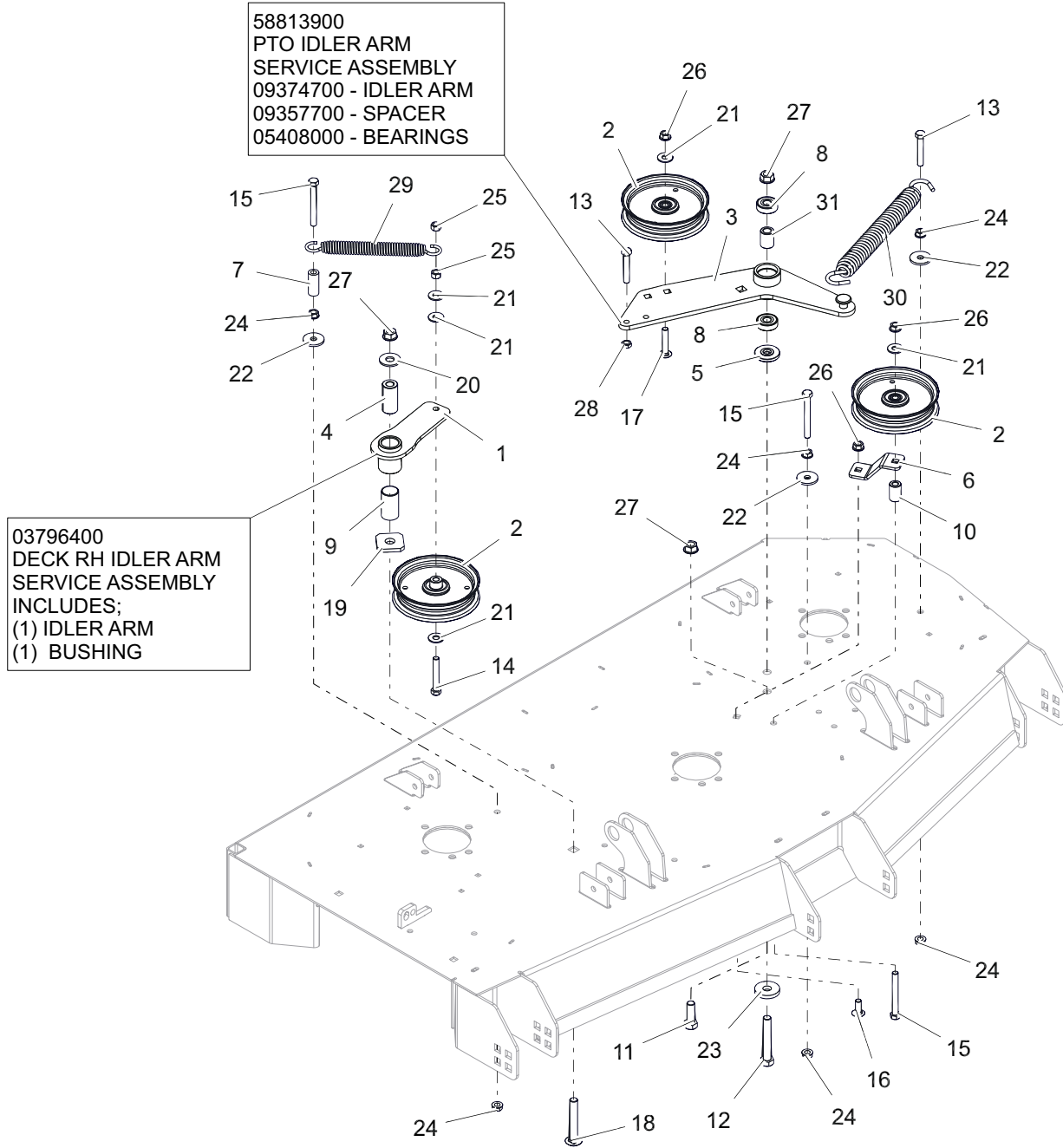


BOM ID	Number	Qty	Description
1	03774151	1	ASM, IDLER ARM W/BUSHING
2	09374700	1	WLDMT, IDLER ARM PT660
3	01581700	1	SPACER SLEEVED .502X.997X2.03
4	04714600	1	SPACER FLANGED ARM
5	04981853	1	BRKT, PTO FIXED IDLER MTG
6	05278000	1	HOSE, .38 X 1.65
7	05408000	2	BRG-BALL .500X1.375X.44
8	05501234	1	BSHG, 1.00x1.125x1.9375
9	05501308	1	BUSHING SLEEVED .380 X .750 X 1.190
10	05901631	1	BLT, HEX 0.5-13X1.5 GR5 ZC120
11	05901634	1	BLT, HEX 0.5-13X3.25 GR5 ZC120
12	05901640	2	BLT, HEX 0.375-16X2.25 GR5 ZC120
13	05901812	1	BLT, HEX 0.375-16X2.5 GR5 ZCC
14	05901817	2	BLT, HEX 0.375-16X3.25 GR5 ZCC
15	06200235	1	BTL, RHSSN .375-16 X 1 G5 ZCC
16	06200323	1	BTL, RHSSN .375-16 X 2 G5 ZCC
17	06200339	1	BTL, RHSSN .500-13 X 3.25 G5 ZCC

BOM ID	Number	Qty	Description
18	06400829	1	WSHR, -FLT.640X1.75X.250
19	06401008	4	WSHR-FL-STL 0.438X1X0.083 ZC120
20	06401012	1	WSHR-FL-STL 0.563X1.375X0.109 ZC120
21	06401023	1	WSHR-FL-STL 0.375X0.875X0.083 ZC120
22	06401121	2	WSHR-FL-STL 0.406X1.375X0.135 ZCC
23	06401213	1	WSHR-FL-STL 0.557X1.625X0.25 ZCC
24	06500735	4	NUT, FLG-SPNLK .375-16 GR5 ZC120
25	06500825	2	NUT, HEX-CTR LK .375-16 GR5 ZCC
26	06500901	3	NUT, FLG-CTR LK .375-16 GR5 ZC120
27	06500902	3	NUT, FLG-CTR LK .500-13 GF ZCC
28	06500910	1	NUT-JAM .375-16 GR2 ZCC
29	07351200	2	IDLER, FLAT - .500 X .75
30	07351800	1	IDLER, V, 5.00X.38
31	08300507	1	SPRG, EXTENSION - SWIVEL
32	08300708	1	SPRG, EXTENSION
33	09357700	1	SPACER SLEEVED SPACER, .510 X .867 X 1.148

IDLERS AND SHEAVES – 52" AND 60"

Model 991282, 284

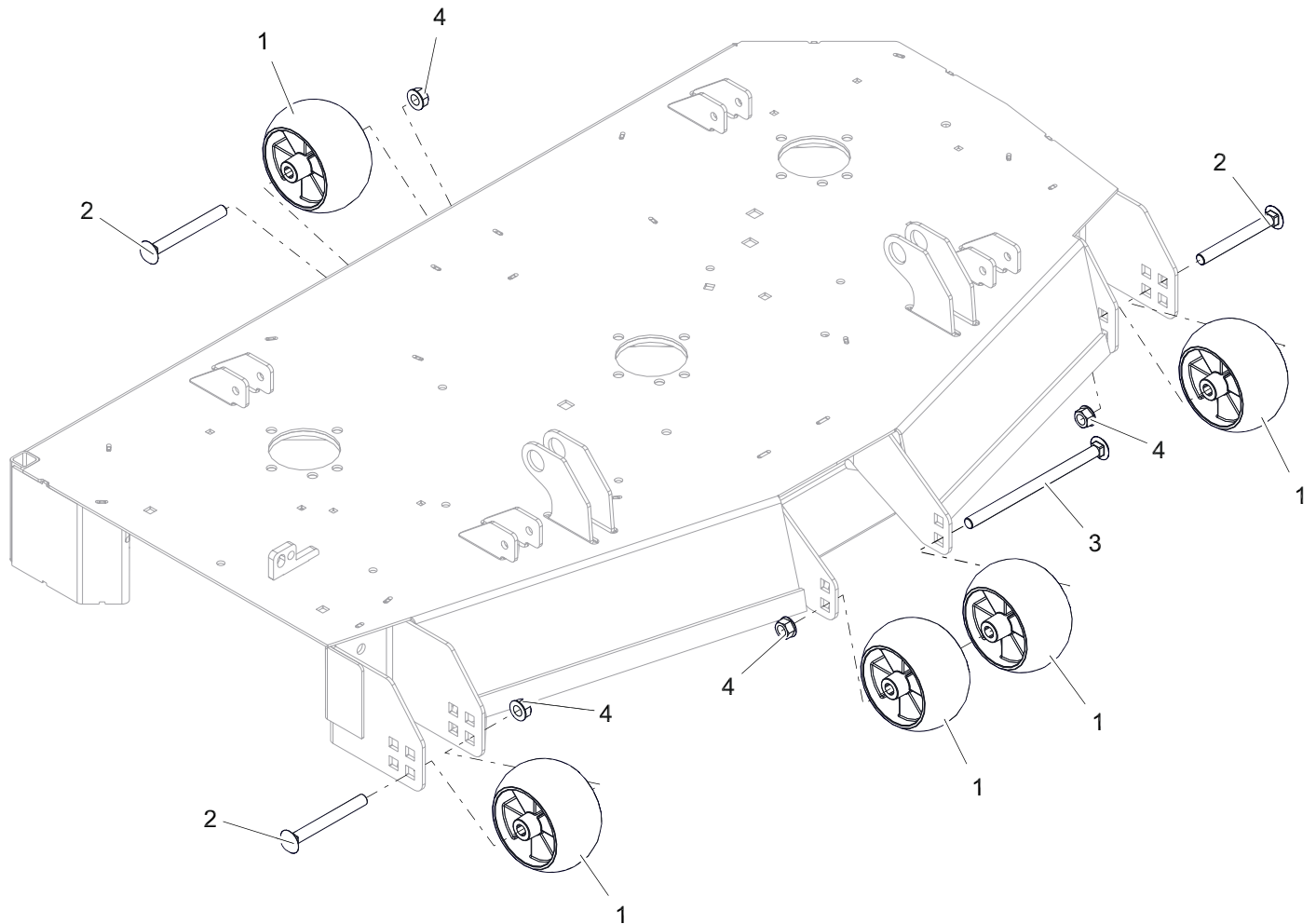


BOM ID	Number	Qty	Description
1	03774151	1	ASM, IDLER ARM W/BUSHING
2	07351200	3	IDLER, FLAT - .500 X .75
3	09374700	1	WLDMT, IDLER ARM PT660
4	01581700	1	SPACER SLEEVED .502X.997X2.03
5	04714600	1	SPACER FLANGED ARM
6	04981853	1	BRKT, PTO FIXED IDLER MTG
7	05278000	1	HOSE, .38 X 1.65
8	05408000	2	BRG-BALL .500X1.375X.44
9	05501234	1	BSHG, 1.00x1.125x1.9375
10	05501308	1	BUSHING SLEEVED .380 X .750 X 1.190
11	05901631	1	BLT, HEX 0.5-13X1.5 GR5 ZC120
12	05901634	1	BLT, HEX 0.5-13X3.25 GR5 ZC120
13	05901640	2	BLT, HEX 0.375-16X2.25 GR5 ZC120
14	05901812	1	BLT, HEX 0.375-16X2.5 GR5 ZCC
15	05901817	3	BLT, HEX 0.375-16X3.25 GR5 ZCC
16	06200235	1	BTL, RHSSN .375-16 X 1 G5 ZCC

BOM ID	Number	Qty	Description
17	06200323	1	BTL, RHSSN .375-16 X 2 G5 ZCC
18	06200339	1	BTL, RHSSN .500-13 X 3.25 G5 ZCC
19	06400829	1	WSHR, -FLT.640X1.75X.250
20	06401012	1	WSHR-FL-STL 0.563X1.375X0.109 ZC120
21	06401008	5	WSHR-FL-STL 0.438X1X0.083 ZC120
22	06401121	3	WSHR-FL-CTR LK 0.406X1.375X0.135 ZCC
23	06401213	1	WSHR-FL-STL 0.557X1.625X0.25 ZCC
24	06500735	6	NUT, FLG-SPNLK .375-16 GR5 ZC120
25	06500825	2	NUT, HEX-CTR LK .375-16 GR5 ZCC
26	06500901	3	NUT, FLG-CTR LK .375-16 GR5 ZC120
27	06500902	3	NUT, FLG-CTR LK .500-13 GF ZCC
28	06500910	1	NUT-JAM .375-16 GR2 ZCC
29	08300507	1	SPRG, EXTENSION - SWIVEL
30	08300708	1	SPRG, EXTENSION
31	09357700	1	SPACER SLEEVED SPACER, .510 X .867 X 1.148

ANTI-SCALP WHEELS – 48"

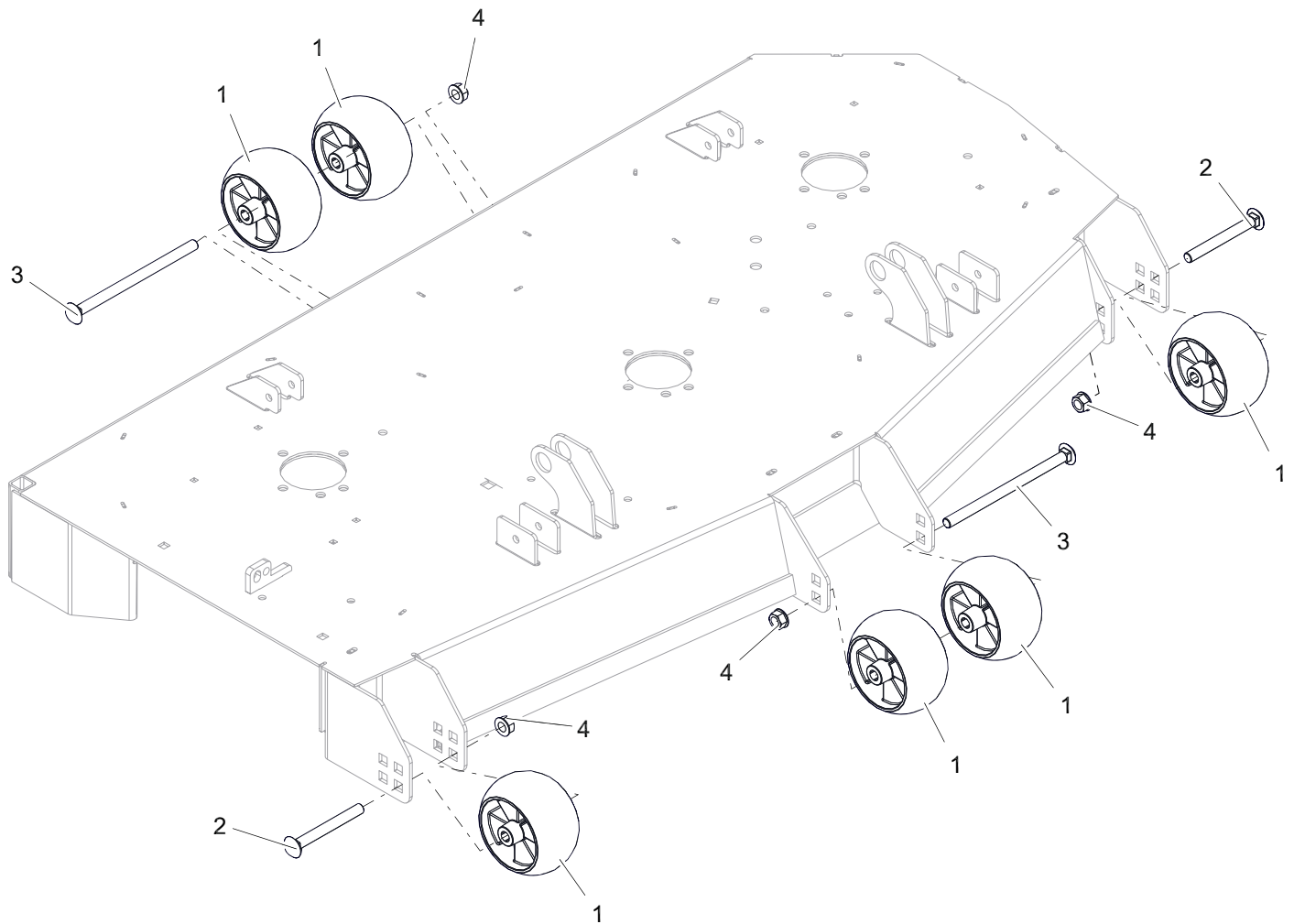
Model 991280



BOM ID	Number	Qty	Description
1	05268800	5	WHEEL, ANTI SCALP - 5X3 CTR W/RIBS
2	06200240	3	BTL,RHSN .500-13 X 4.5 G5 ZCC
3	06200430	1	BTL,RHSN .500-13 X 8 G5 ZCC
4	06500902	4	NUT, FLG-CTR LK .500-13 GF ZCC

ANTI-SCALP WHEELS – 52" AND 60"

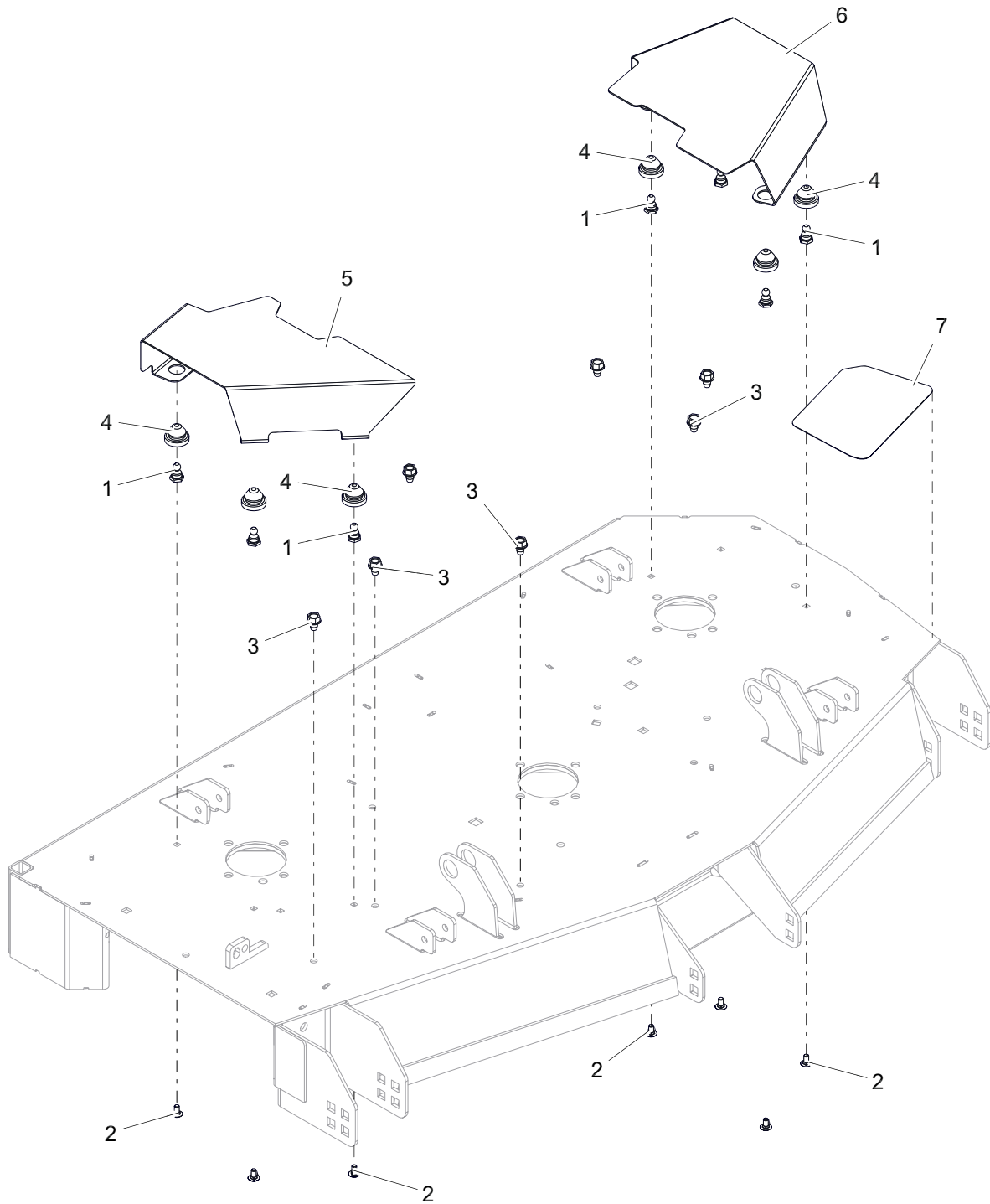
Model 991282, 284



BOM ID	Number	Qty	Description
1	05268800	6	WHEEL, ANTI SCALP - 5X3 CTR W/RIBS
2	06200240	2	BTL,RHSN .500-13 X 4.5 G5 ZCC
3	06200430	2	BTL,RHSN .500-13 X 8 G5 ZCC
4	06500902	4	NUT, FLG-CTR LK .500-13 GF ZCC

BELT COVERS – 48"

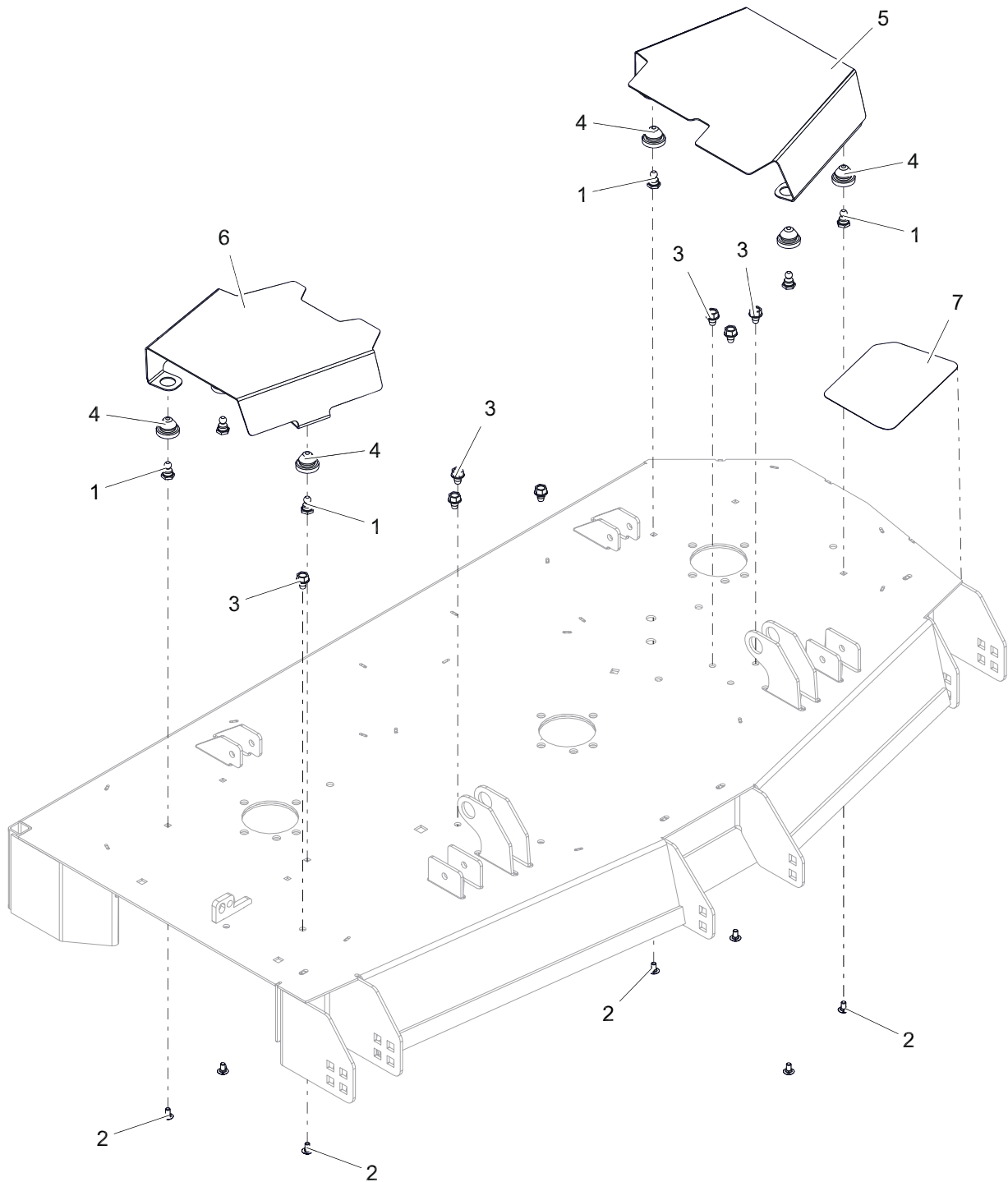
Model 991280



BOM ID	Number	Qty	Description
1	05275900	7	STUD, BALL FEMALE .250-20 THREAD
2	06200305	7	BTL,RHSSN .250-20 X 0.5 G5 ZCC
3	07400126	7	SCR-TAP .38-16X.500 HWH ZCC
4	07500429	7	COUPLING, RUBBER PUSH-IN
5	09458653	1	COVER, BELT 48" RIGHT (RED)
6	09458753	1	COVER, BELT 48" LEFT (RED)
7	09461300	1	GRIP, STEP ANTI SKID HD XF3

BELT COVERS – 52"

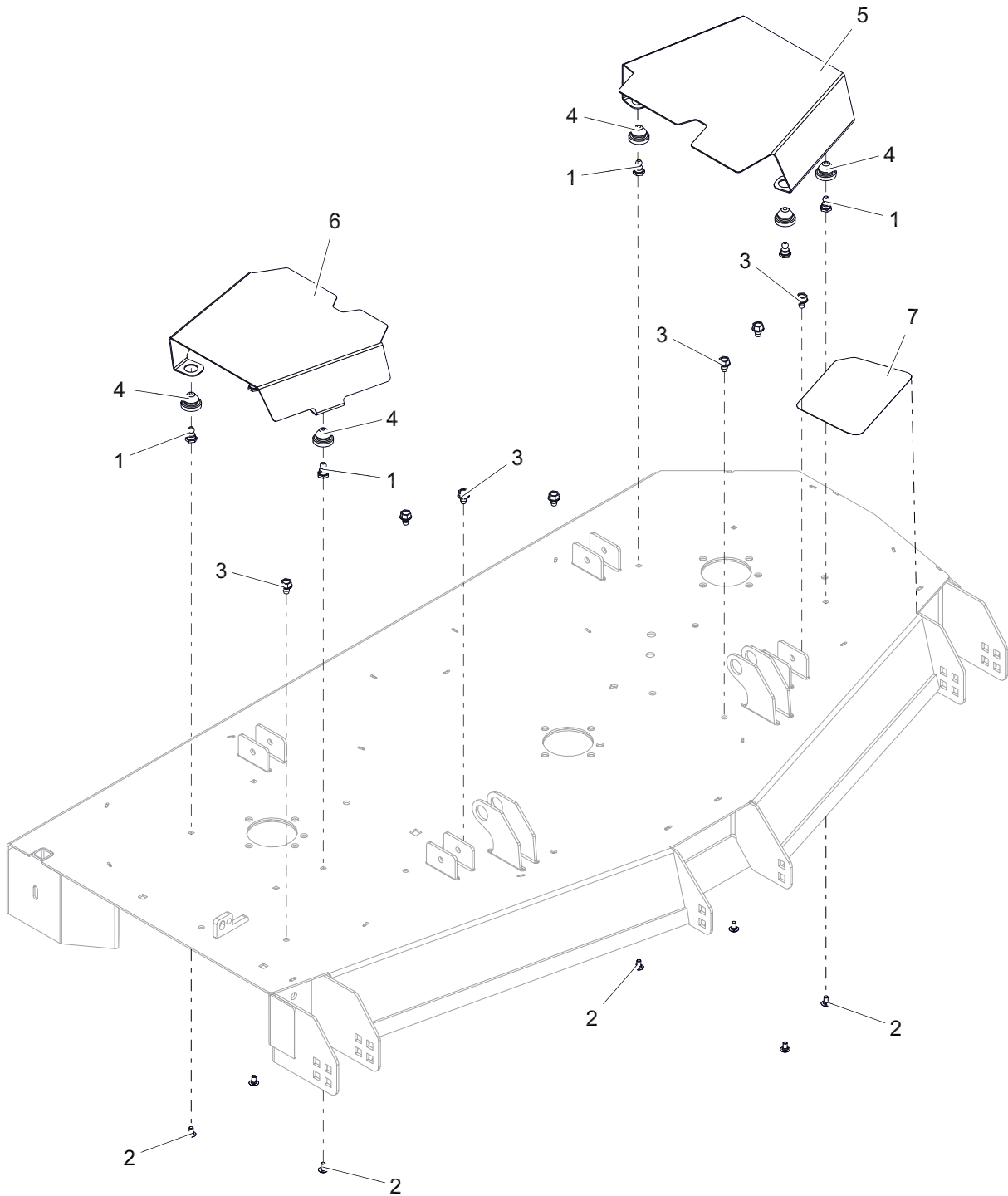
Model 991282



BOM ID	Number	Qty	Description
1	05275900	7	STUD, BALL FEMALE .250-20 THREAD
2	06200305	7	BTL,RHSSN .250-20 X 0.5 G5 ZCC
3	07400126	7	SCR-TAP .38-16X.500 HWH ZCC
4	07500429	7	COUPLING, RUBBER PUSH-IN
5	09458853	1	COVER, BELT 52" LEFT
6	09458953	1	COVER, BELT 52" RIGHT
7	09461300	1	GRIP, STEP ANTI SKID HD XF3

BELT COVERS – 60"

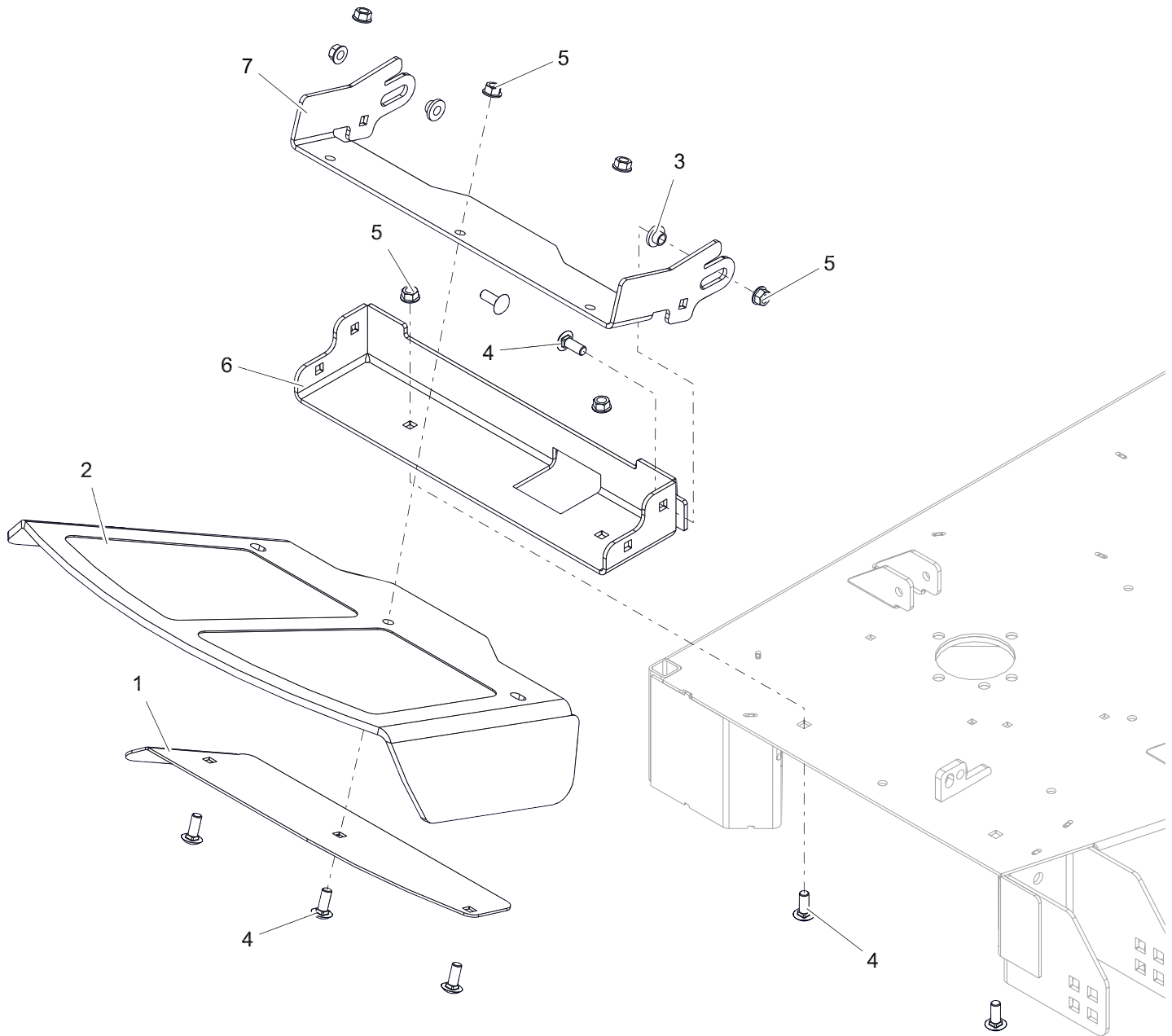
Model 991284



BOM ID	Number	Qty	Description
1	05275900	7	STUD, BALL FEMALE .250-20 THREAD
2	06200305	7	BTL,RHSSN .250-20 X 0.5 G5 ZCC
3	07400126	7	SCR-TAP .38-16X.500 HWH ZCC
4	07500429	7	COUPLING, RUBBER PUSH-IN
5	09459053	1	COVER, BELT 60" LEFT (RED)
6	09459153	1	COVER, BELT 60" RIGHT (RED)
7	09461300	1	GRIP, STEP ANTI SKID HD XF3

DISCHARGE CHUTE – 48"

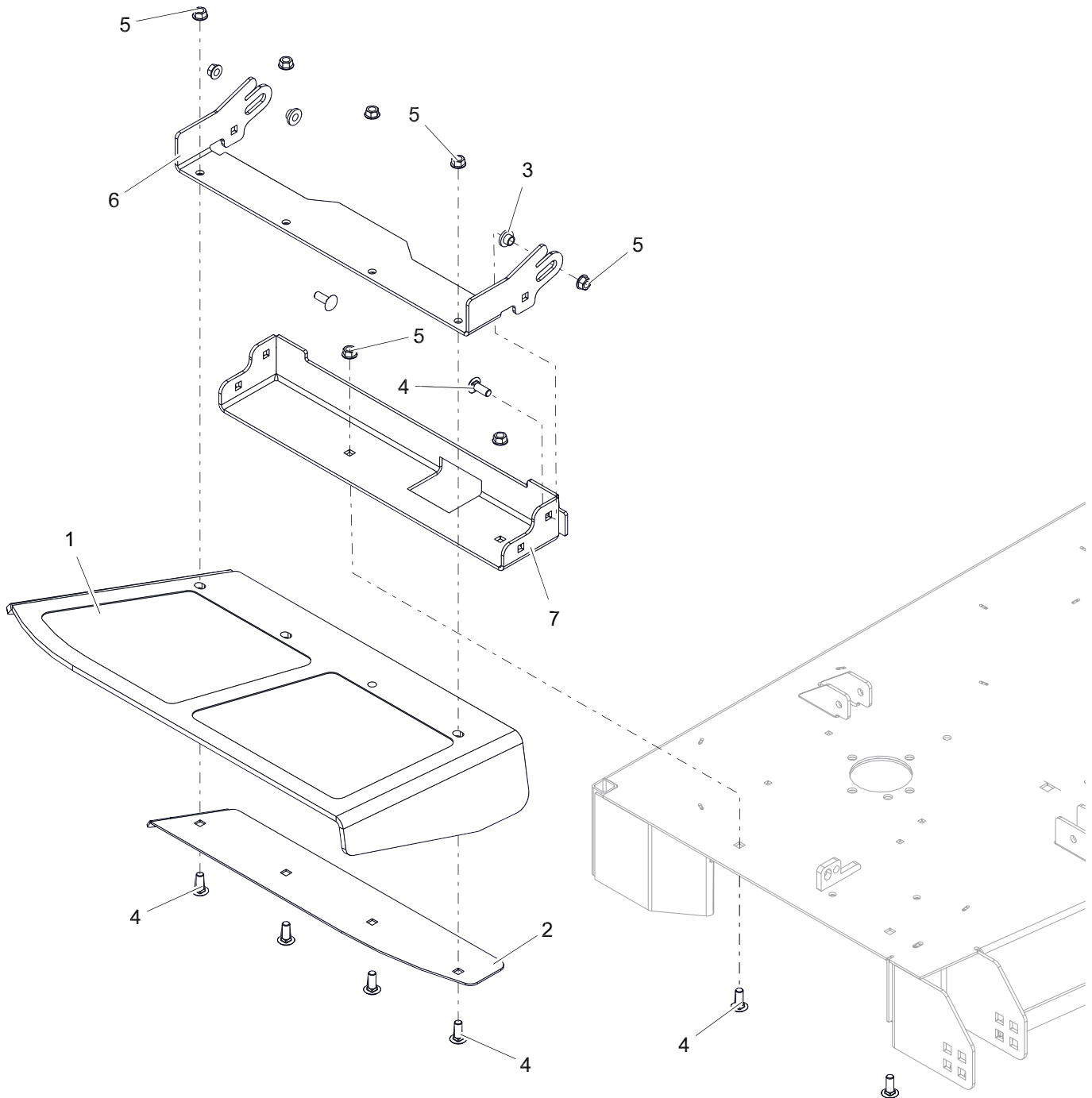
Model 991280



BOM ID	Number	Qty	Description
1	04873753	1	PLATE, 48-60" DISCH CHUTE CLAMP (RED)
2	05269900	1	CHUTE, FORMED RUBBER DISCHARGE
3	05500435	2	BUSHING FLANGED FLG .385 X .500 X .875 X .406
4	06200235	7	BTL,RHSSN .375-16 X 1 G5 ZCC
5	06500901	7	NUT, FLG-CTR LK .375-16 GR5 ZC120
6	09381953	1	BASE, 48" DISCHARGE CHUTE MTG BRKT (RED)
7	09458553	1	BRKT, CHUTE MTG (RED)

DISCHARGE CHUTE – 52" AND 60"

Model 991282, 284



BOM ID	Number	Qty	Description
1	04880900	1	CHUTE, FORMED RUBBER DISCHARGE
2	04976153	1	PLATE, DICH CHUTE CLAMP (RED)
3	05500435	2	BUSHING FLANGED FLG .385 X .500 X .875 X .406
4	06200235	8	BTL,RHSSN .375-16 X 1 G5 ZCC
5	06500901	8	NUT, FLG-CTR LK .375-16 GR5 ZC120
6	09374253	1	BRKT, CHUTE MTG (RED)
7	59229900	1	BASE, DISCHARGE CHUTE MTG (RED) W/ SAFETY DECALS



655 West Ryan Street
Brillion, WI 54110

gravelly.com



ARIENS|CO