



Compact-Pro

Parts Manual

Models:

991144 – Compact-Pro 34
(SN 000101 +)

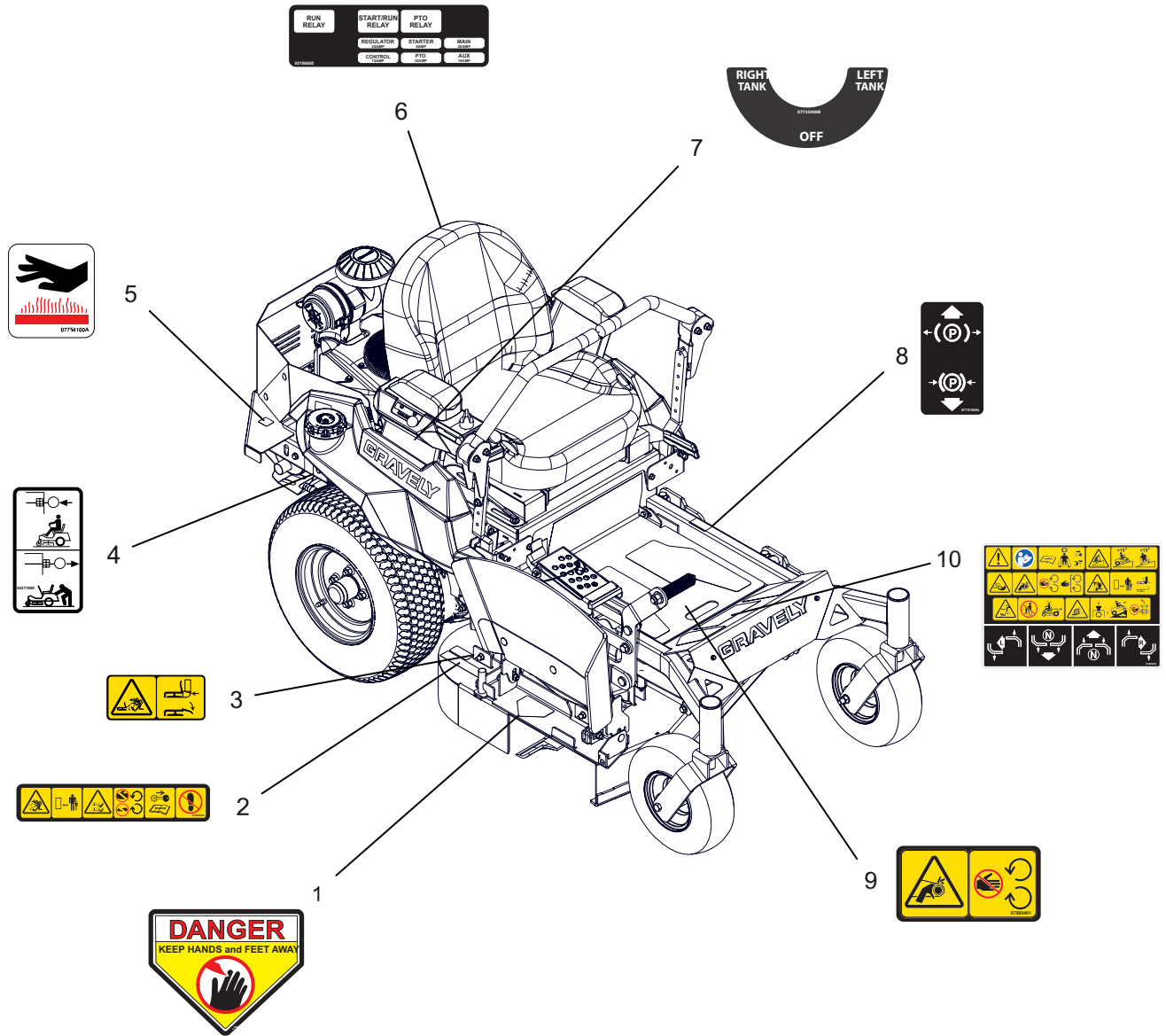
991145 – Compact-Pro 44
(SN 000101 +)

TABLE OF CONTENTS

Decals – Safety	3
Decals – Style – 34"	4
Decals – Style – 44"	5
Frame	6
Engine – Kawasaki FX481	7
Engine – Kawasaki FX600	8
Seat	9
Seat Latch	10
Engine Shroud.....	11
Fuel System.....	12
Control Panel.....	13
Electrical	14
Wiring Diagram.....	15
Casters and Wheels – 34"	16
Casters and Wheels – 44"	17
Transaxles	18
Transaxle Drive	19
Drive Controls.....	20
Parking Brake	21
Deck Lift – 34"	22
Deck Lift – 44"	23
Drag Link	24
Height of Cut.....	25
Deck, Belt, Blades and Spindles – 34"	26
Deck, Belt, Blades and Spindles – 44"	27
Idlers and Sheaves – 34"	28
Idlers and Sheaves – 44"	29
Belt Covers – 34".....	30
Belt Covers – 44".....	31
Anti-Scalp Rollers – 44".....	32
Chute.....	33

DECALS – SAFETY

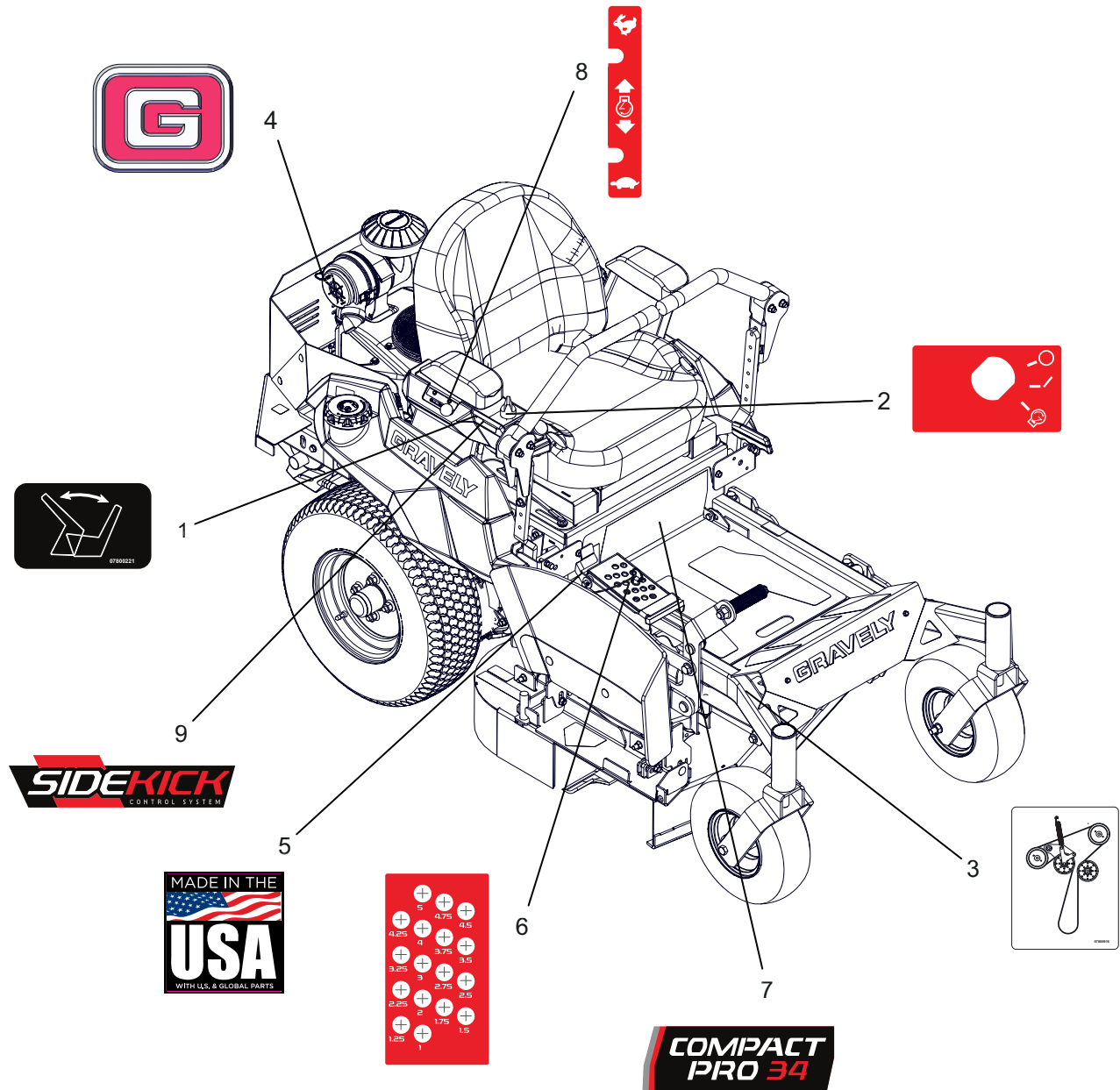
Models All



BOM ID	Number	Qty	Description
1	02988100	1	DECAL, DANGER
2	07800410	2	DECAL, DECK SAFETY
3	07800402	1	DECAL, SAFETY - DECK GUARDING
4	03271900	2	DECAL, TRANSMISSION DISCONNECT
5	07754100	2	DECAL, HOT SURFACE
6	05197200	1	DECAL, FUSE BOX - COMPACT PRO
7	07735400	1	DECAL, FUEL CONTROL VALVE
8	07757500	1	DECAL, PARKING BRAKE LEVER
9	07800401	1	DECAL, SAFETY - GUARDING
10	07800654	1	DECAL, INSTRUCTION SAFETY

DECALS – STYLE – 34"

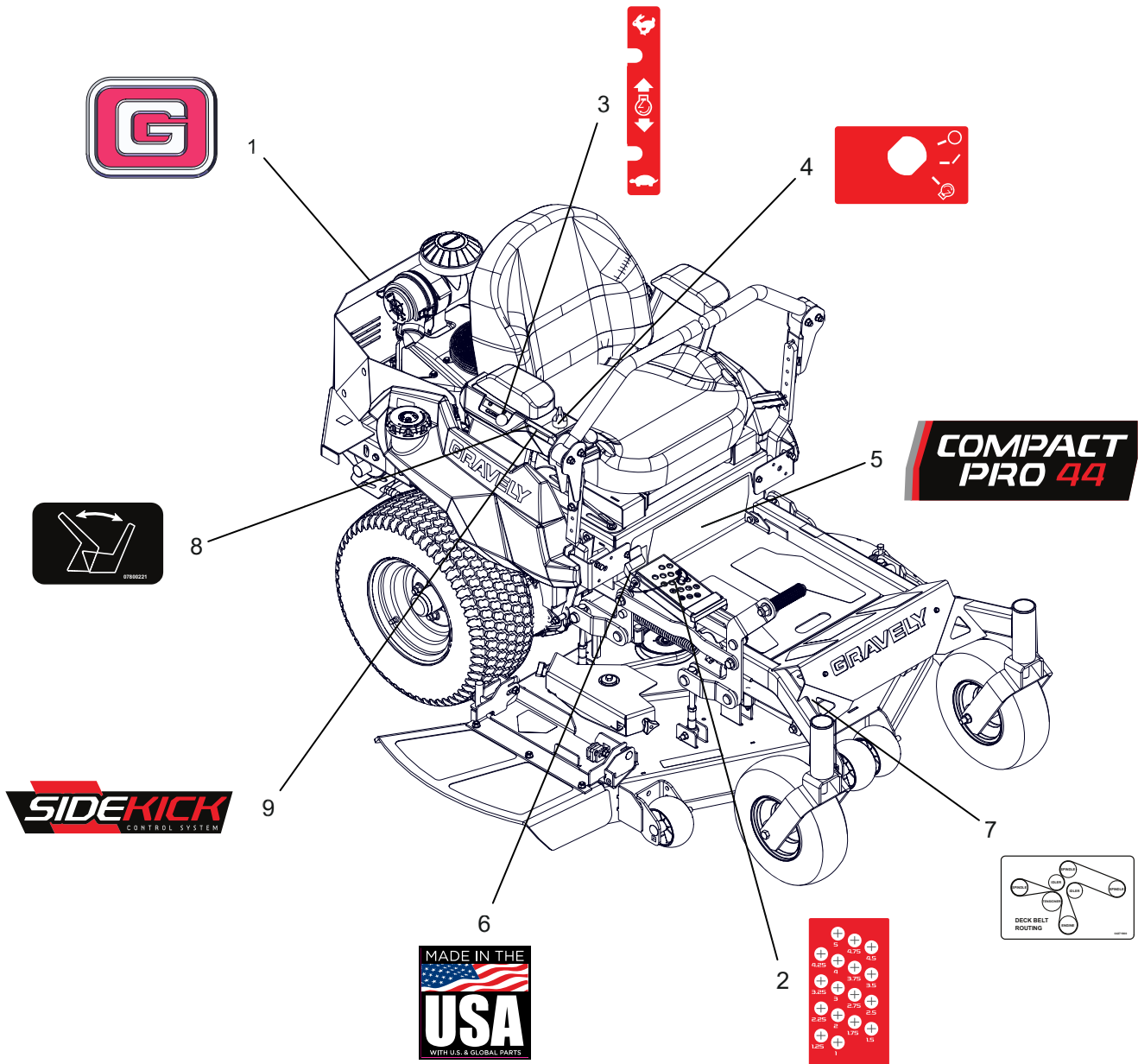
Model 991144



BOM ID	Number	Qty	Description
1	07800221	1	DECAL, SEAT RELEASE
2	07800932	1	DECAL, KEY SWITCH
3	07800916	1	DECAL, 36" PW DECK BELT ROUTING
4	07800534	1	DECAL, GRAVELY BRAND
5	08001038	1	DECAL, MADE IN USA
6	07800930	1	DECAL, COMPACT PRO HOC
7	07800934	1	DECAL, COMPACT PRO 35"
8	07800931	1	DECAL, DASH - SPEED
9	07800933	1	DECAL, CONTROL COVER

DECALS – STYLE – 44"

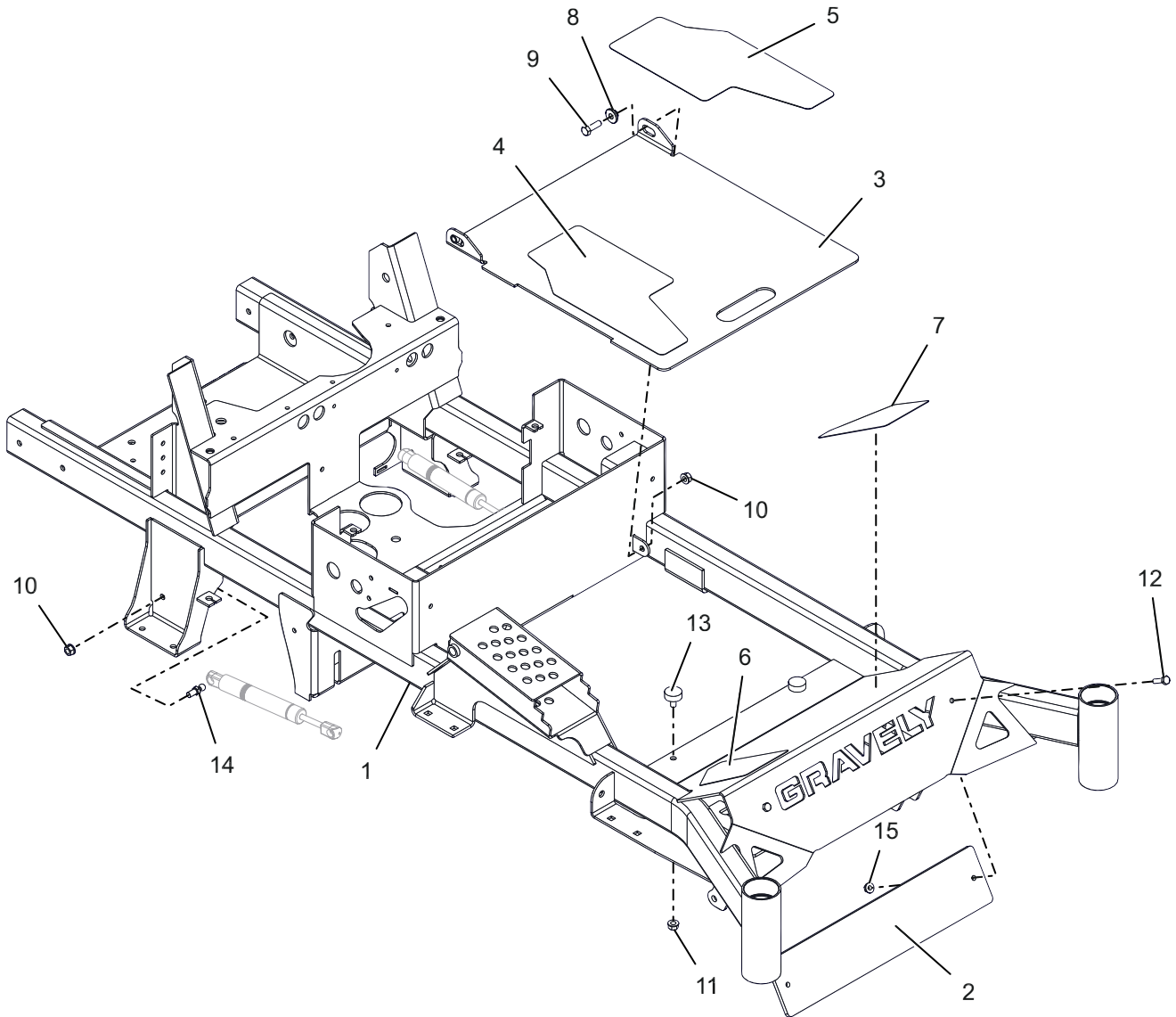
Model 991145



BOM ID	Number	Qty	Description
1	07800534	1	DECAL, GRAVELLY BRAND
2	07800930	1	DECAL, COMPACT PRO HOC
3	07800931	1	DECAL, DASH - SPEED
4	07800932	1	DECAL, KEY SWITCH
5	07800935	1	DECAL, COMPACT PRO 44"
6	08001038	1	DECAL, MADE IN USA
7	04271900	1	DECAL, BELT ROUTING
8	07800221	1	DECAL, SEAT RELEASE
9	07800933	1	DECAL, CONTROL COVER

FRAME

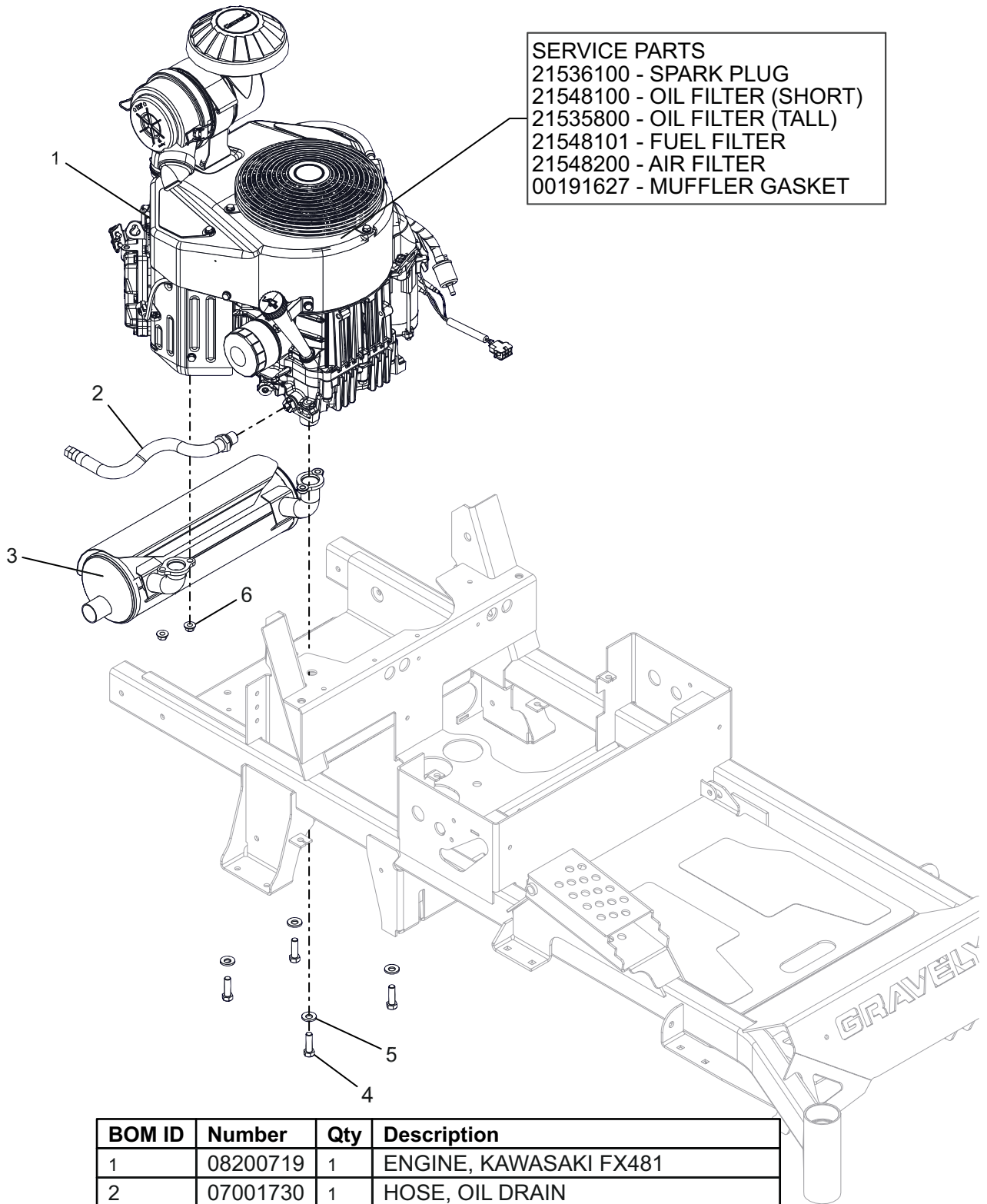
Models All



BOM ID	Number	Qty	Description
1	59114600	1	KIT, FRAME W/SAFTEY DECALS
2	05273051	1	PLATE, BACK NAME (BLACK)
3	59114800	1	KIT, FOOT PLATE W/SAFTEY DECALS
4	05185900	1	GRIP, RH INSPECTION PLATE
5	05186000	1	GRIP, LH INSPECTION PLATE
6	05198900	1	GRIP, RH FOOT PLATE
7	05199000	1	GRIP, LH FOOT PLATE
8	05514800	2	BSHG, FLG .32X.500.344X.880
9	05901701	2	BLT, HEX 0.3125-18X1 GR5 ZC120
10	06500840	4	NUT, FLG-CTR LK .312-18 GR5 ZCC
11	06500815	2	NUT, FLG-SPNLK .312-18 GR5 ZC120
12	05901639	2	BLT, HEX 0.25-20X1 GR5 ZC120
13	07533600	2	BUMPER, RUBBER
14	03652200	2	STUD-BALL
15	06500821	2	NUT, FLG-CTR LK .250-20 GR5 ZC120

ENGINE – KAWASAKI FX481

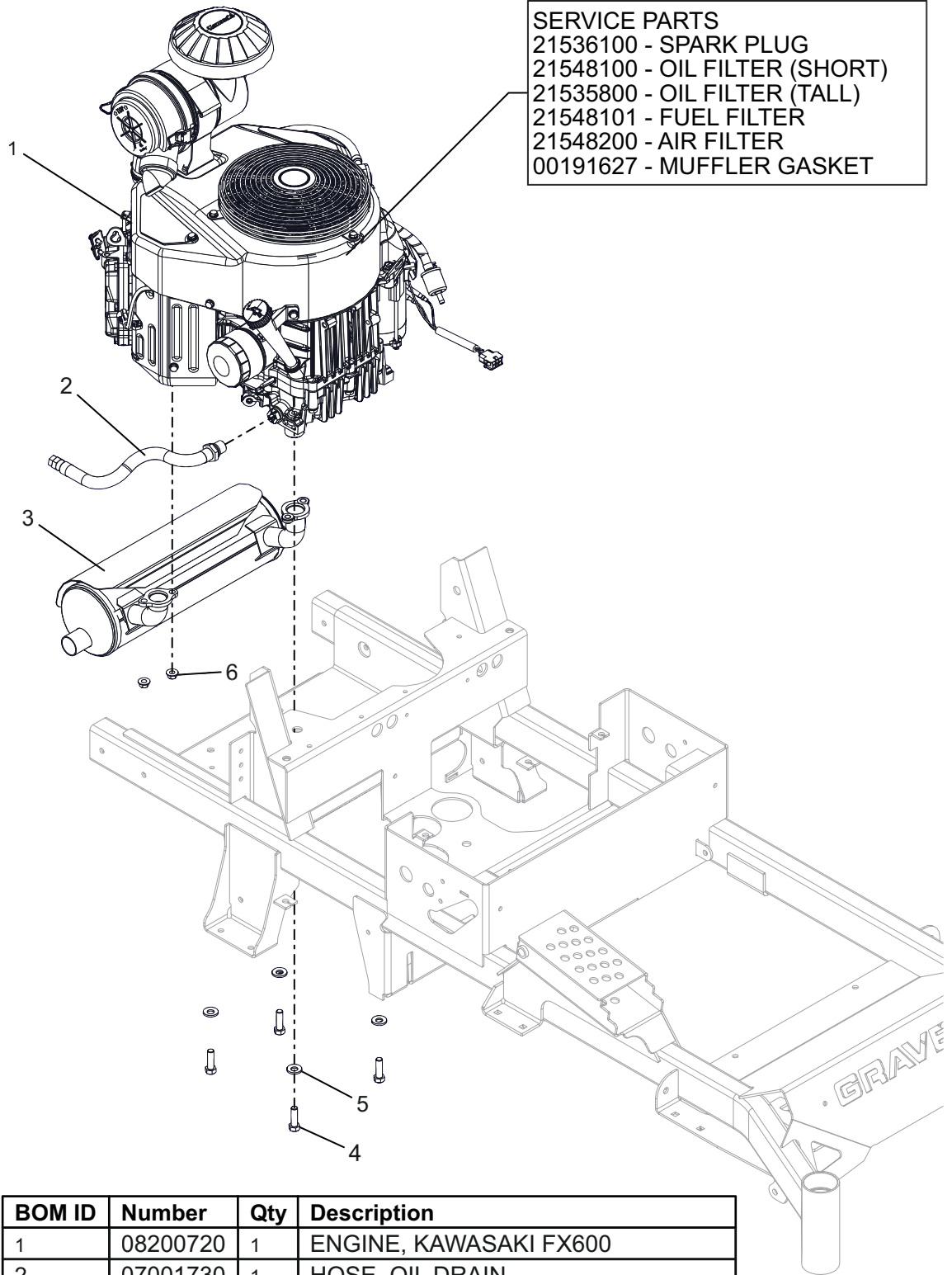
Model 991144



BOM ID	Number	Qty	Description
1	08200719	1	ENGINE, KAWASAKI FX481
2	07001730	1	HOSE, OIL DRAIN
3	05185100	1	MUFFLER, ACTIVE EXHAUST
4	05901808	4	BLT, HEX 0.375-16X1.25 GR5 ZCC NT
5	06400927	4	WSHR, 3/8" SPRING DISC
6	06500919	4	NUT, FLG-TOP LK M8-1.25 ZCC

ENGINE – KAWASAKI FX600

Model 991145

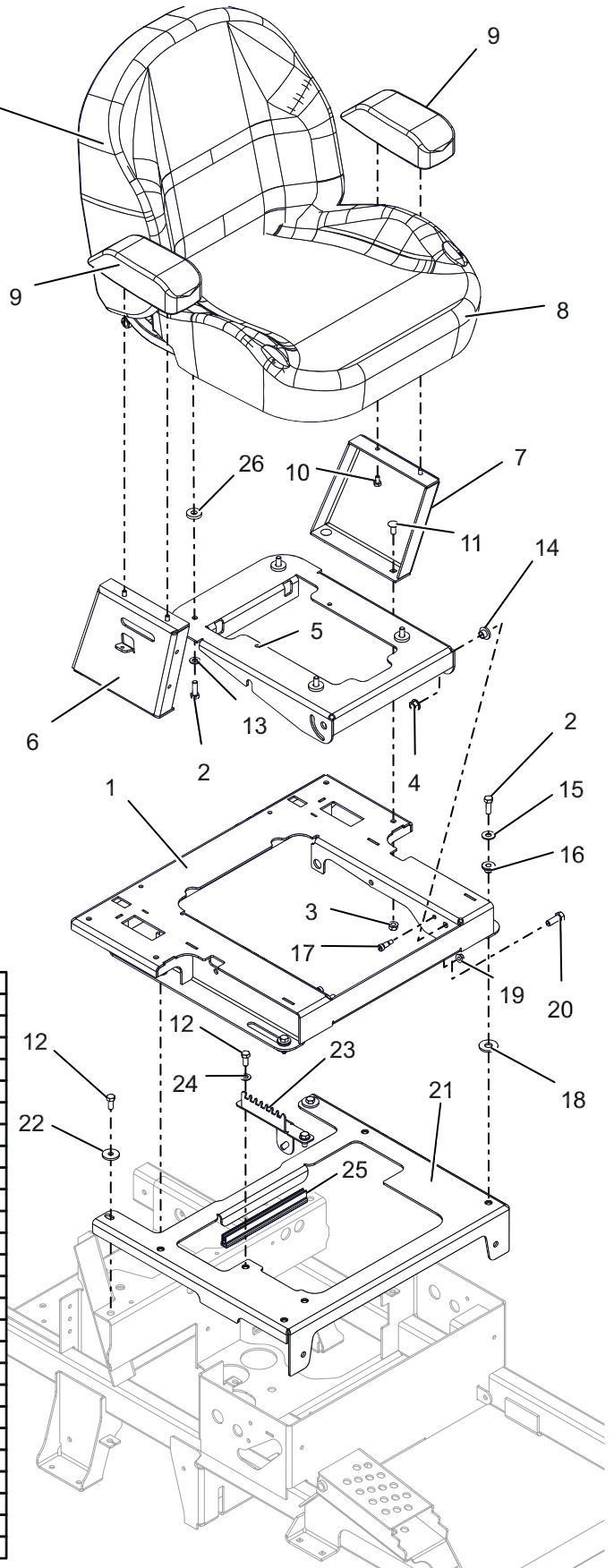


BOM ID	Number	Qty	Description
1	08200720	1	ENGINE, KAWASAKI FX600
2	07001730	1	HOSE, OIL DRAIN
3	05185100	1	MUFFLER, ACTIVE EXHAUST
4	05901808	4	BLT, HEX 0.375-16X1.25 GR5 ZCC NT
5	06400927	4	WSHR, 3/8" SPRING DISC
6	06500919	4	NUT, FLG-TOP LK M8-1.25 ZCC

SEAT

Models All

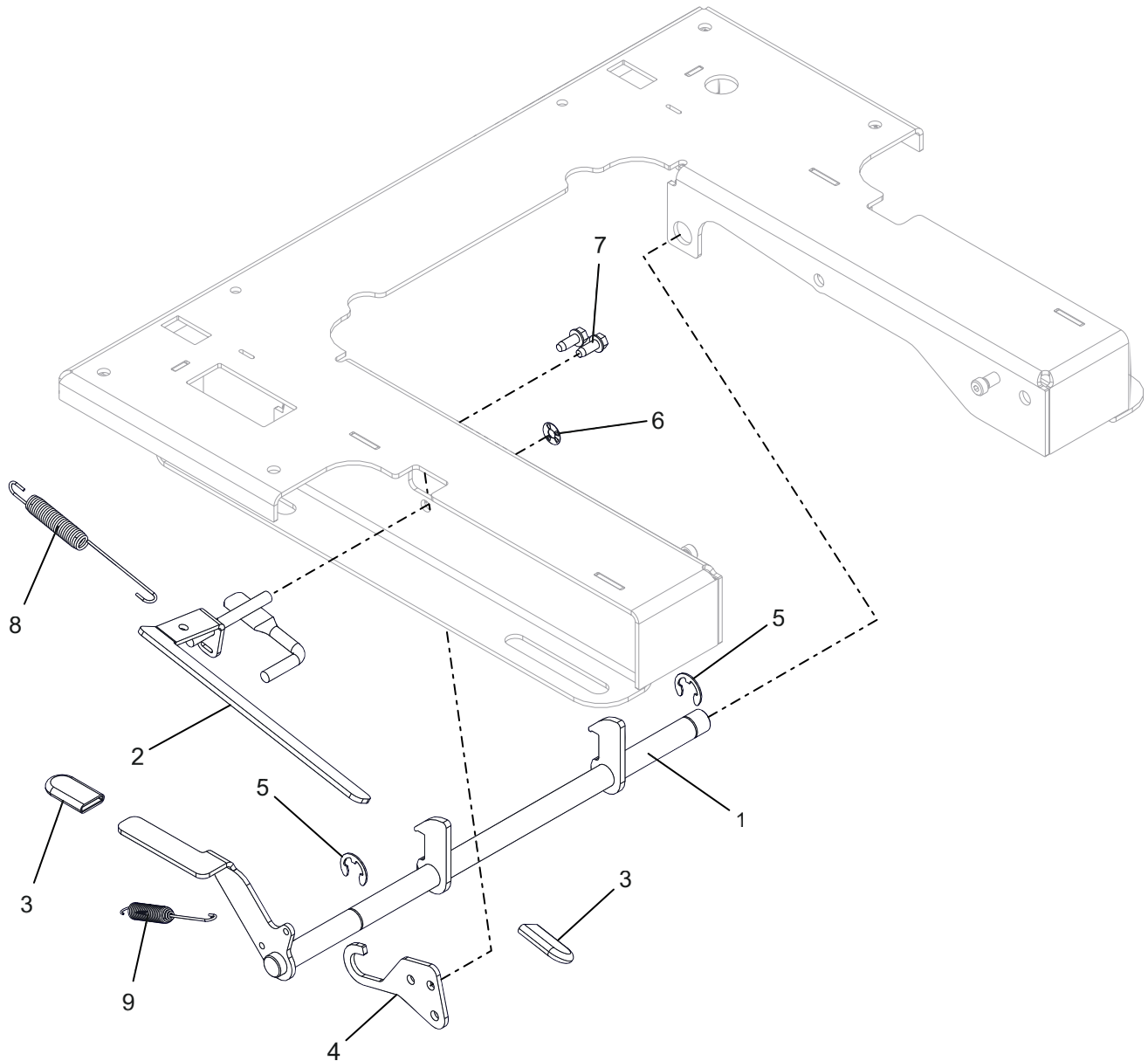
SERVICE PARTS:
 21556200 - SEAT BACK COVER
 21556300 - SEAT CUSHION COVER
 21556400 - SEAT BELT KIT
 02754100 - SEAT SWITCH



BOM ID	Number	Qty	Description
1	05164753	1	WLDMT, SEAT MOUNTING (RED)
2	05901701	8	BLT, HEX 0.3125-18X1 GR5 ZC120
3	06500840	4	NUT, FLG-CTR LK .312-18 GR5 ZCC
4	06500901	2	NUT, FLG-CTR LK .375-16 GR5 ZC120
5	05164853	1	PLATE, SEAT (RED)
6	05171553	1	SUPPORT, RH ARMREST (RED)
7	05171653	1	SUPPORT, LH ARMREST (RED)
8	05184600	1	SEAT, NON-SUSPENSION
9	05184700	2	PAD, ARMREST
10	05901705	4	BLT, HEX 0.25-20X0.5 GR5 ZC120
11	06200309	4	BTL,RHSSN .313-18 X 0.75 G5 ZCC
12	05901704	4	BLT, HEX 0.3125-18X0.75 GR5 ZC120
13	06401017	4	WSHR-FL-STL 0.344X0.688X0.065 ZC120
14	05500435	2	BSHG, FLG .385 X .500 X .875 X .406
15	06401023	4	WSHR-FL-STL 0.375X0.875X0.083 ZC120
16	05501331	4	BUSHING, FLANGED .325 x .500 x .488
17	07070104	2	BLT-SHLDR .313X.500X.250-20
18	06401025	4	WSHR-FL-DELTRIN .505X1.250X.125
19	06500821	2	NUT, FLG-CTR LK .250-20 GR5 ZC120
20	05901617	2	BLT, HEX 0.375-16X1 GR5 CKF
21	05174953	1	WLDMT, SEAT MTG PLATE (RED)
22	06401104	2	WSHR-FL-STL 0.34X1.125X0.135 ZCC
23	05150951	1	BRKT, COMPACT PRO SEAT ADJUSTMENT (BLACK)
24	06401017	2	WSHR-FL-STL 0.344X0.688X0.065 ZC120
25	05197800	1	HOLDDOWN, FUEL TANK
26	06401108	4	WSHR-FL-STL 0.406X1X0.188 ZCC

SEAT LATCH

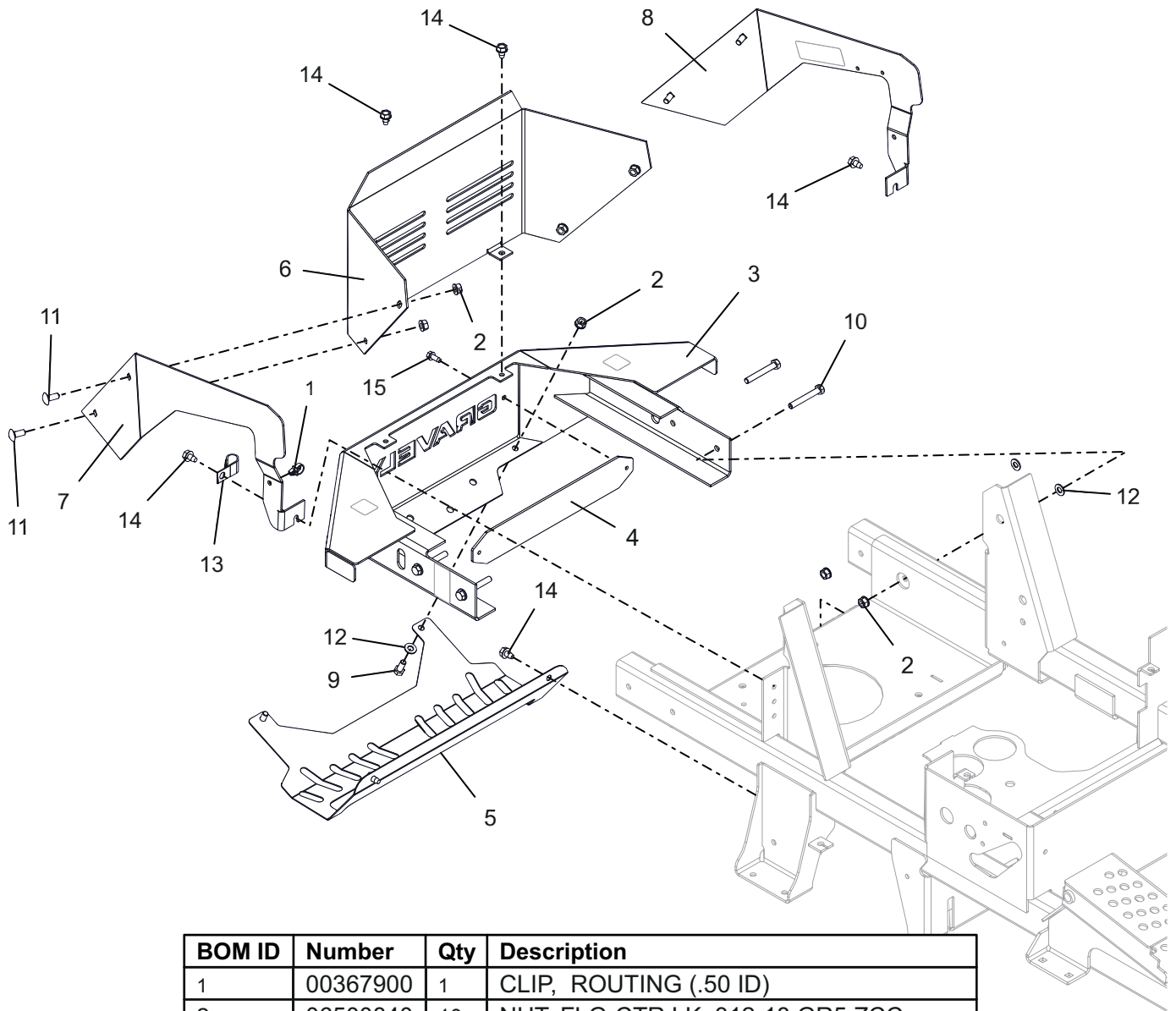
Models All



BOM ID	Number	Qty	Description
1	05149700	1	WLDMT, COMPACT PRO SEAT LATCH
2	05151051	1	WLDMT, ADJUSTABLE SEAT LATCH
3	04396600	2	GRIP, SEAT LEVER
4	05165153	1	BRKT, SEAT LATCH MOUNTING (RED)
5	05708300	2	RING, RETAINING-E .625X.042
6	06514900	1	NUT, PUSH .312
7	07400135	2	SCR-TAP .25-20X.625 HWH ZCC
8	08300022	1	SPRG, EXTENSION
9	08321100	1	SPRING, EXTENSION

ENGINE SHROUD

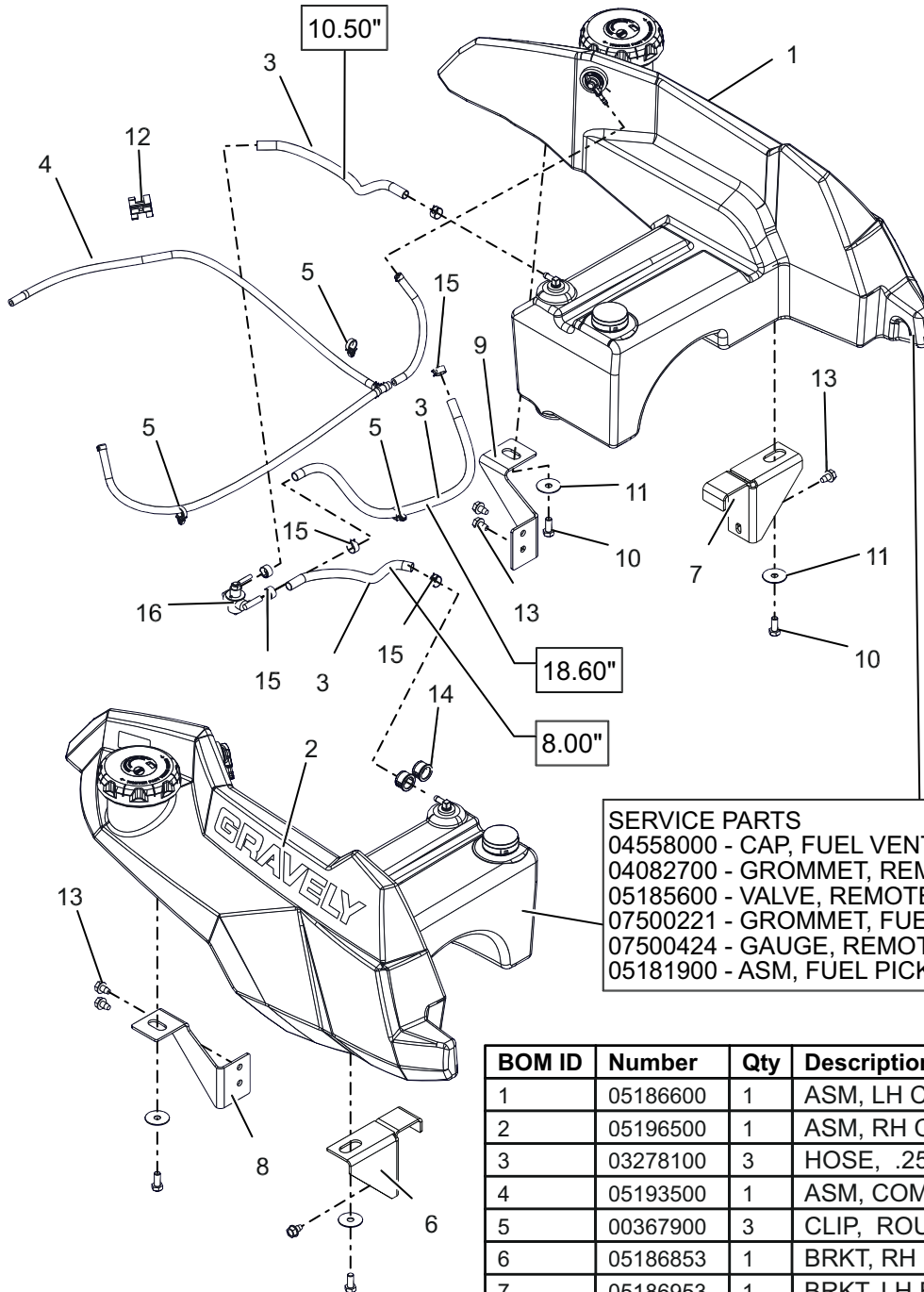
Models All



BOM ID	Number	Qty	Description
1	00367900	1	CLIP, ROUTING (.50 ID)
2	06500840	10	NUT, FLG-CTR LK .312-18 GR5 ZCC
3	59114700	1	KIT, BUMPER W/SAFETY DECALS
4	05171751	1	BACK, NAME PLATE (BLACK)
5	05172251	1	SHIELD, COMPACT PRO HEAT (BLACK)
6	05177351	1	GUARD, ENGINE (BLACK)
7	05177453	1	TRIM, RH ENGINE GUARD (RED)
8	05177553	1	TRIM, LH ENGINE GUARD (RED)
9	05901704	2	BLT, HEX 0.3125-18X0.75 GR5 ZC120
10	05901806	4	BLT, HEX 0.3125-18X2.25 GR5 ZCC
11	06200309	4	BTL,RHSSN .313-18 X 0.75 G5 ZCC
12	06401017	6	WSHR-FL-STL 0.344X0.688X0.065 ZC120
13	06916000	1	J-CLAMP
14	07400124	6	SCR-TAP .312-18X.50 HWH ZCC
15	07400135	2	SCR-TAP .25-20X.625 HWH ZCC

FUEL SYSTEM

Models All

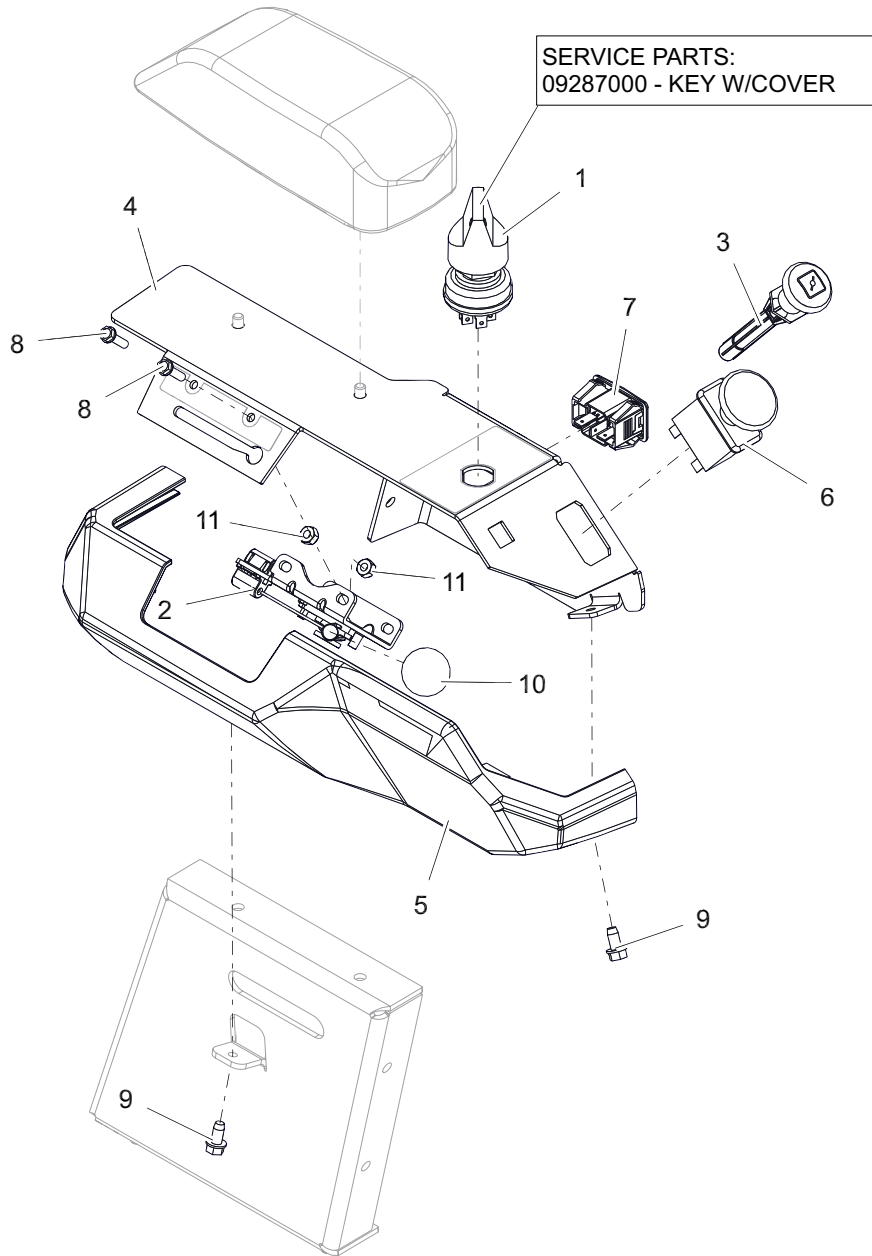


SERVICE PARTS
 04558000 - CAP, FUEL VENT - IN AUTOLOCK
 04082700 - GROMMET, REMOTE VENT NITRILE
 05185600 - VALVE, REMOTE 3/16" BARB
 07500221 - GROMMET, FUEL GAUGE
 07500424 - GAUGE, REMOTE SEALED FUEL
 05181900 - ASM, FUEL PICKUP TUBE, COMPACT PRO

BOM ID	Number	Qty	Description
1	05186600	1	ASM, LH COMPACT PRO FUEL TANK
2	05196500	1	ASM, RH COMPACT PRO FUEL TANK
3	03278100	3	HOSE, .250" LOW-PERM BULK GAS
4	05193500	1	ASM, COMPACT PRO VAPOR LINE
5	00367900	3	CLIP, ROUTING (.50 ID)
6	05186853	1	BRKT, RH FRONT TANK MTG (RED)
7	05186953	1	BRKT, LH FRONT TANK MTG (RED)
8	05187053	1	BRKT, RH REAR TANK MTG (RED)
9	05187153	1	BRKT, LH REAR TANK MTG (RED)
10	05901704	4	BLT, HEX 0.3125-18X0.75 GR5 ZC120
11	06401105	4	WSHR-FL-STL 0.347X1.254X0.048 ZCC
12	07001712	1	CLIP, T, .38-.50
13	07400124	6	SCR-TAP .312-18X.50 HWH ZCC
14	07500126	2	BUSH, PANEL SNAP .687X.875X.56
15	03278800	6	CLAMP, FUEL LINE
16	04426400	1	VALVE, FUEL

CONTROL PANEL

Models All

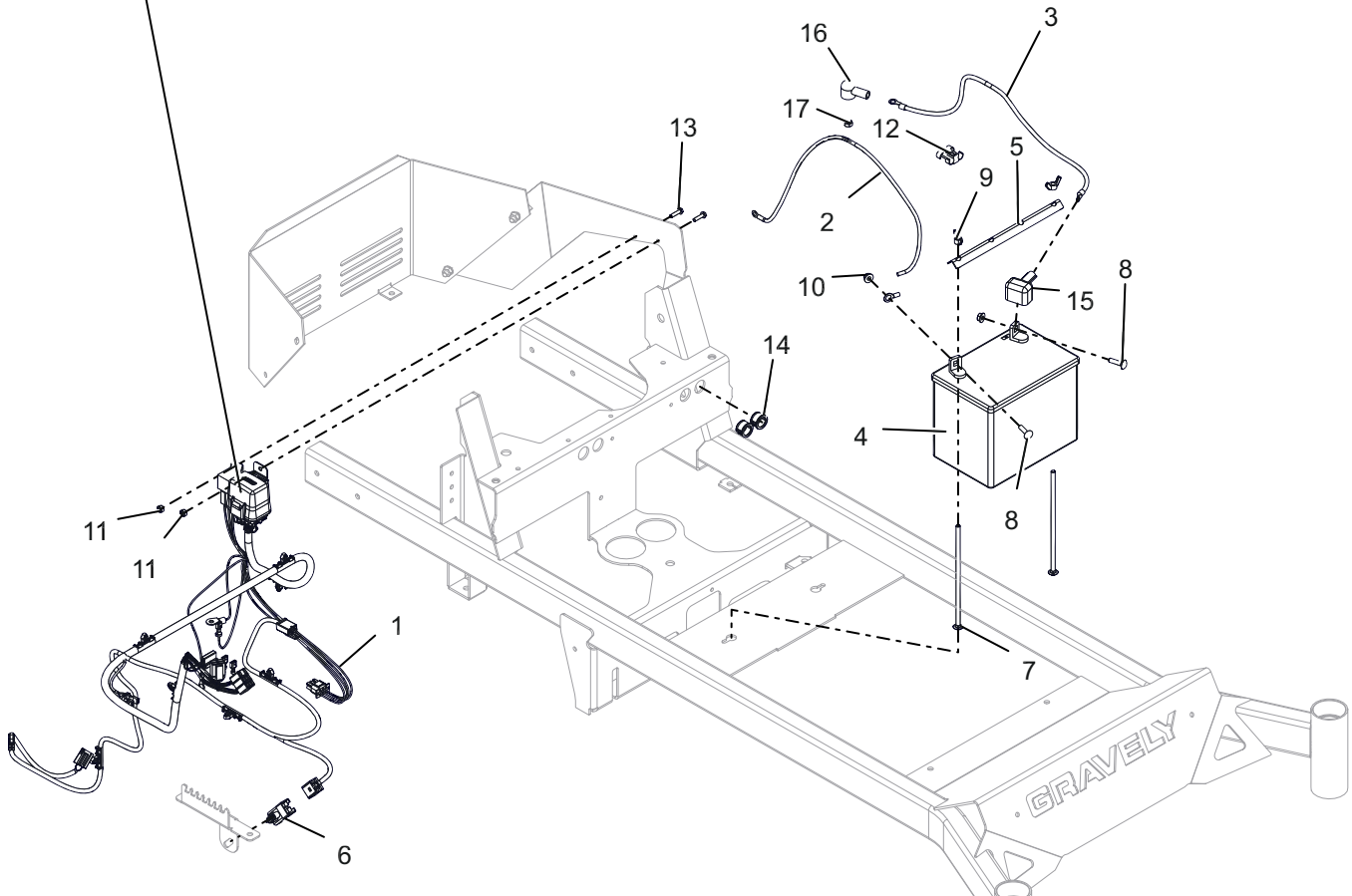


BOM ID	Number	Qty	Description
1	04331600	1	SWITCH, IGNITION
2	06900631	1	CABLE, PRO - CONTROL 35.50"
3	06900715	1	CABLE, CHOKE (SNAP IN)
4	05165253	1	PANEL, CONTROL (RED)
5	05180000	1	COVER, CONTROL PANEL
6	01545600	1	SWITCH, CLUTCH
7	09497400	1	METER, HOUR - NO PRINT
8	05901837	2	SCR-MCH 10-24X.75 HWH ZCC
9	07400122	2	SCR-TAP .25-20X.50 HWH ZCC
10	07500132	1	KNOB, CONTROL BLACK .38-16X.50
11	06500915	2	NUT, LK-NYL #10-24 GR5 ZC120

ELECTRICAL

Models All

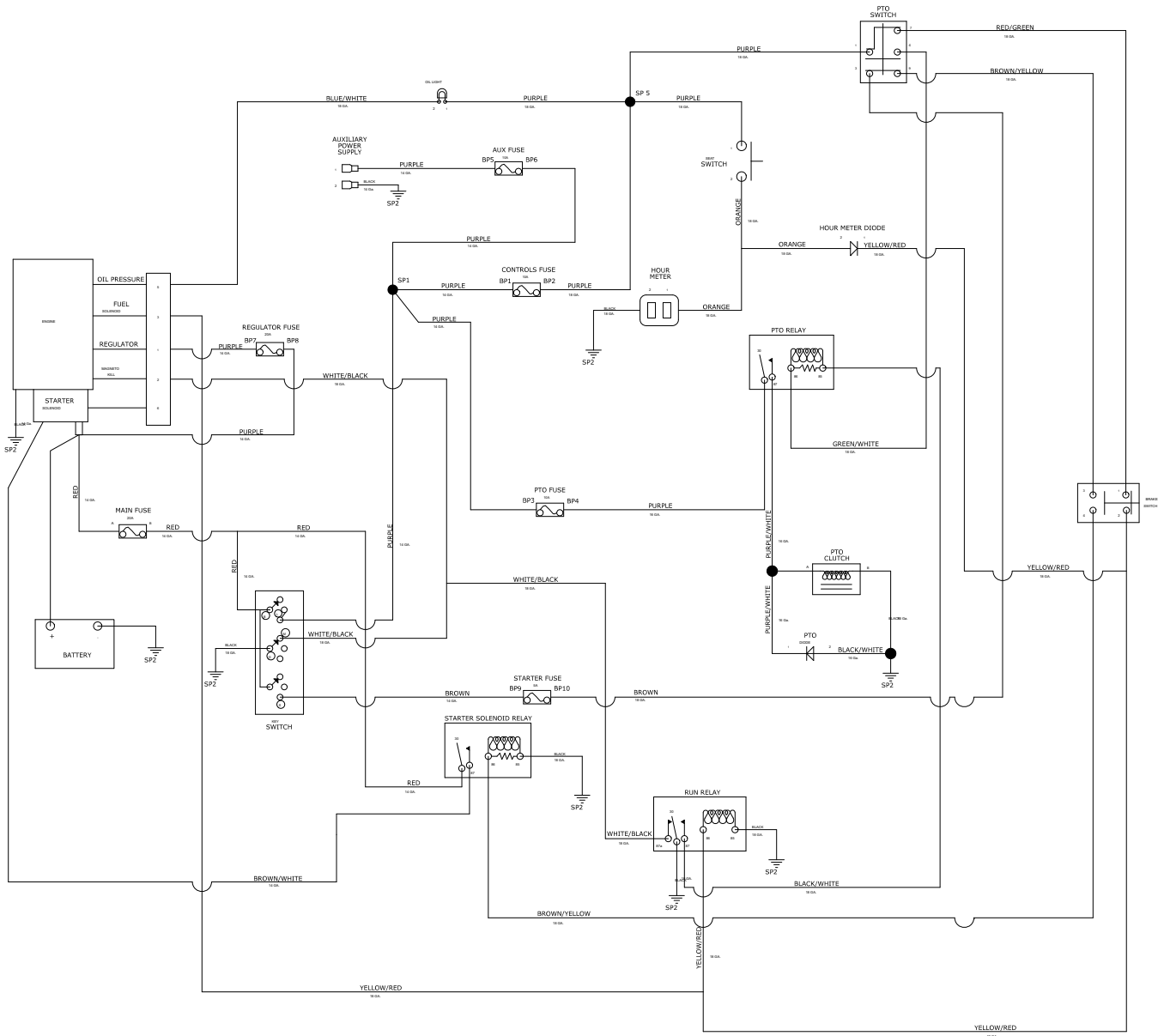
SERVICE PARTS:
 05076400 - FUSE, 5 AMP MINI ATC
 04438100 - FUSE, 10 AMP MINI ATC
 04438300 - FUSE, 20 AMP MINI ATC
 00432100 - RELAY, SPDT, SEALED, MINI ISO, 896H SERIES
 05249900 - RELAY, SPNO, SEALED, ISO 280, RESISTIVE, 303 SERIES



BOM ID	Number	Qty	Description
1	05158200	1	HARNESS, COMPACT PRO ELECTRICAL
2	04249900	1	CABLE, GROUND 26.00"
3	03288400	1	CABLE, POS BATTERY 26.00"
4	01554800	1	BATTERY, 300 CCA 10U1L
5	03494051	1	HOLD DOWN - BLK
6	03834300	1	SWITCH, SNAP IN -N.O./N.O
7	06200424	2	BTL,RHSN .250-20 X 7.5 G5 ZCC
8	06200402	2	BTL,RHSN .250-20 X 1 G5 ZCC
9	06500805	2	NUT, WING .250-20 LOCKING
10	06500824	2	NUT, FLG-SPNLK .250-20 GR5 ZC120
11	06500915	2	NUT, LK-NYL #10-24 GR5 ZC120
12	07001712	1	CLIP, T, .38-.50
13	05901837	2	SCR-MCH 10-24X.75 HWH ZCC
14	07500126	2	BUSH, PANEL SNAP .687X.875X.56
15	07505700	1	INSULATOR
16	07533200	1	BOOT, EYELET TERMINAL
17	06500817	1	NUT, LK-CTR-JAM M8-1.25 GR8.8 ZC120

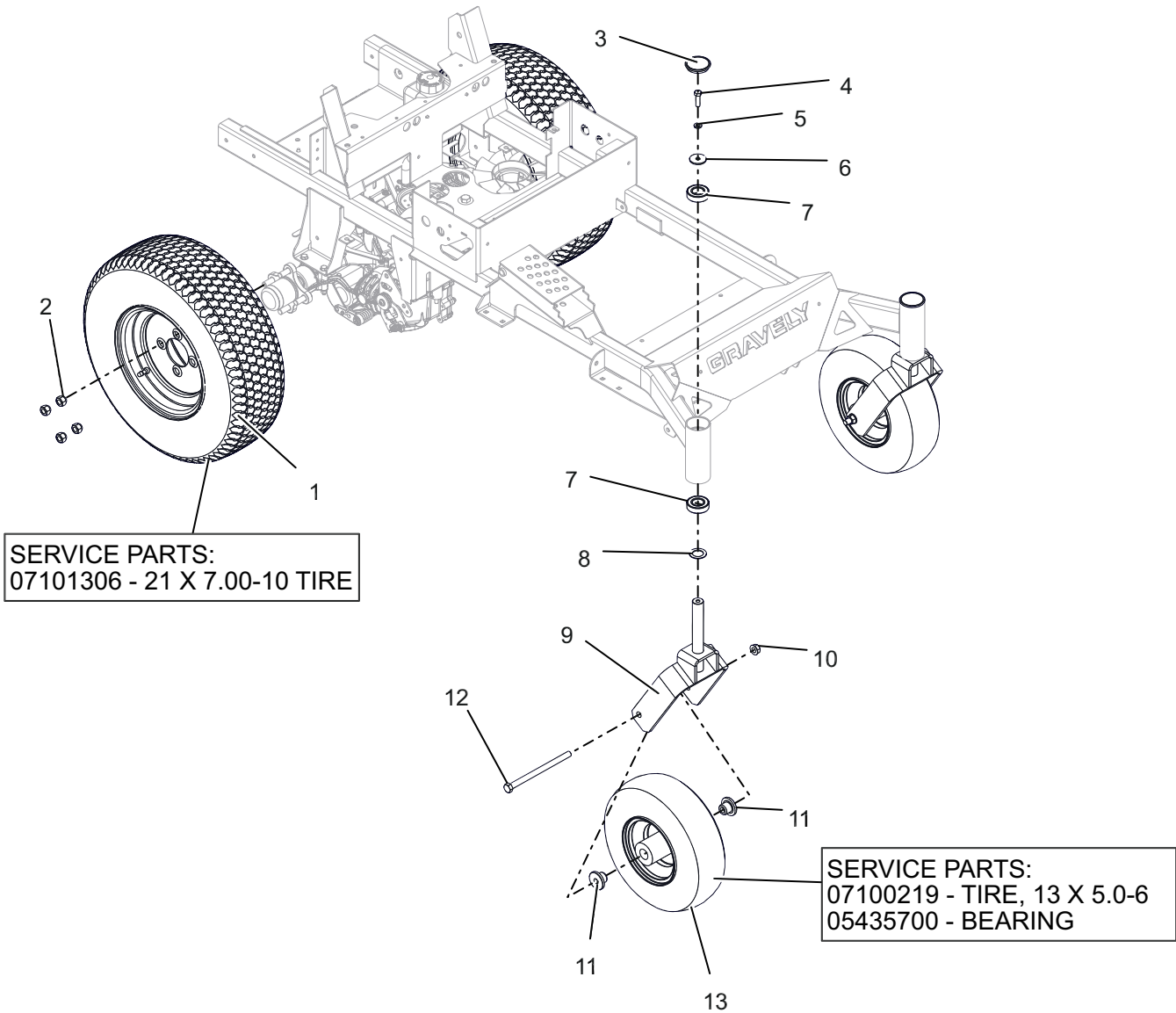
WIRING DIAGRAM

Models All



CASTERS AND WHEELS – 34"

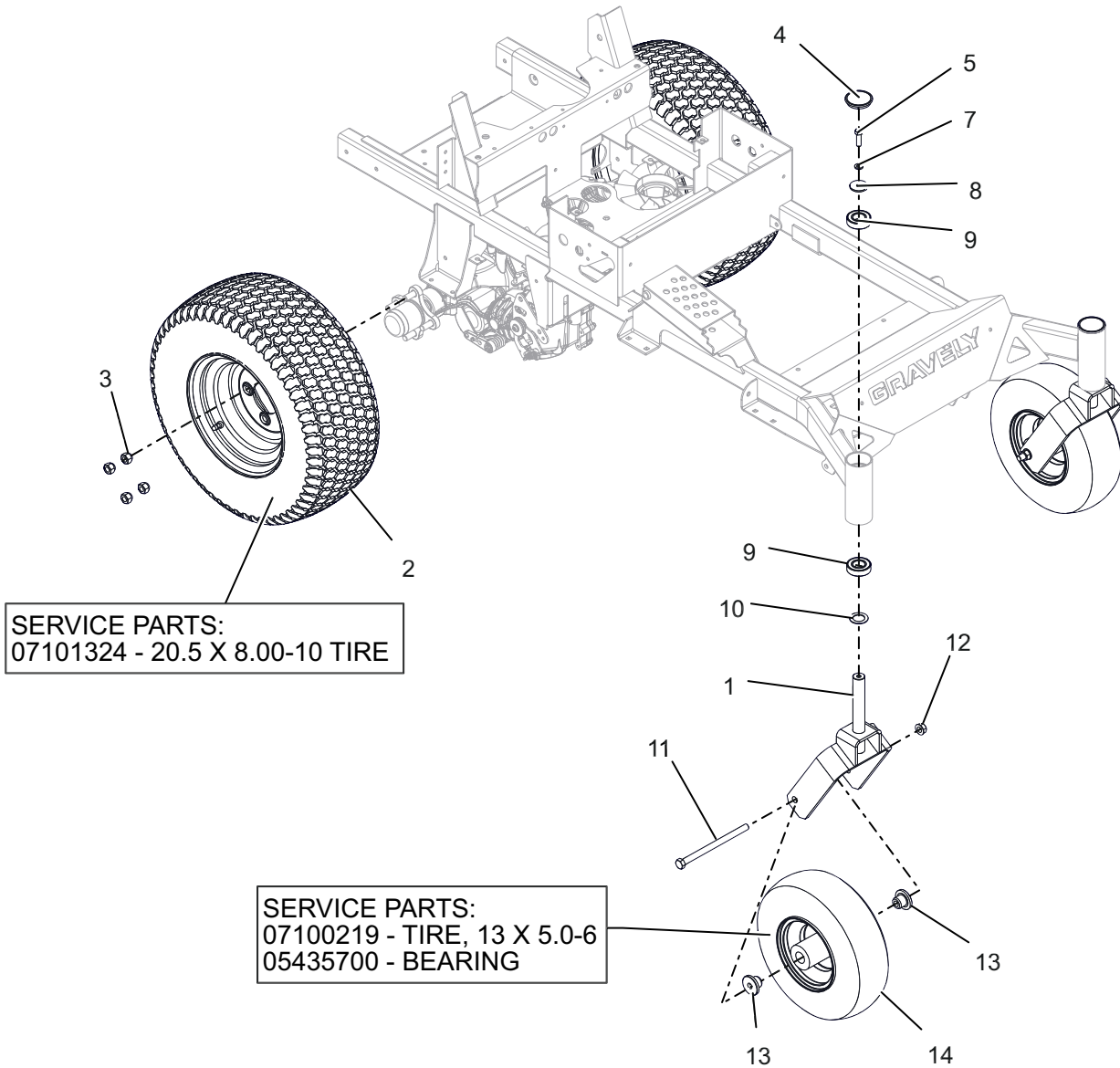
Model 991144



BOM ID	Number	Qty	Description
1	07101309	2	ASSM TIREWHEEL, 21 X 7.00-10
2	06500926	8	NUT, WHEEL .500-20 ZCC
3	04792200	2	CAP, DUST
4	05901724	2	BLT, HEX 0.375-16X1.25 GR5 ZC120
5	06300120	2	WSHR,LK-HVY 0.377 X 0.115 ZCC
6	06401106	2	WSHR-FL-STL 0.38X1.5X0.125 ZCC
7	05400722	4	BRG-BALL 1.00X2.00X.56
8	06416600	2	WSHR, HRD THRS 1.007X1.542X.062
9	05166253	2	WLDMT, CASTER FORK
10	06500902	2	NUT, FLG-CTR LK .500-13 GG ZCC
11	00675300	4	SPACER, FRONT WHEEL
12	05902023	2	BLT, HEX 0.5-13X7.5 GR5 ZCC
13	07101111	2	ASSM TIREWHEEL,

CASTERS AND WHEELS – 44"

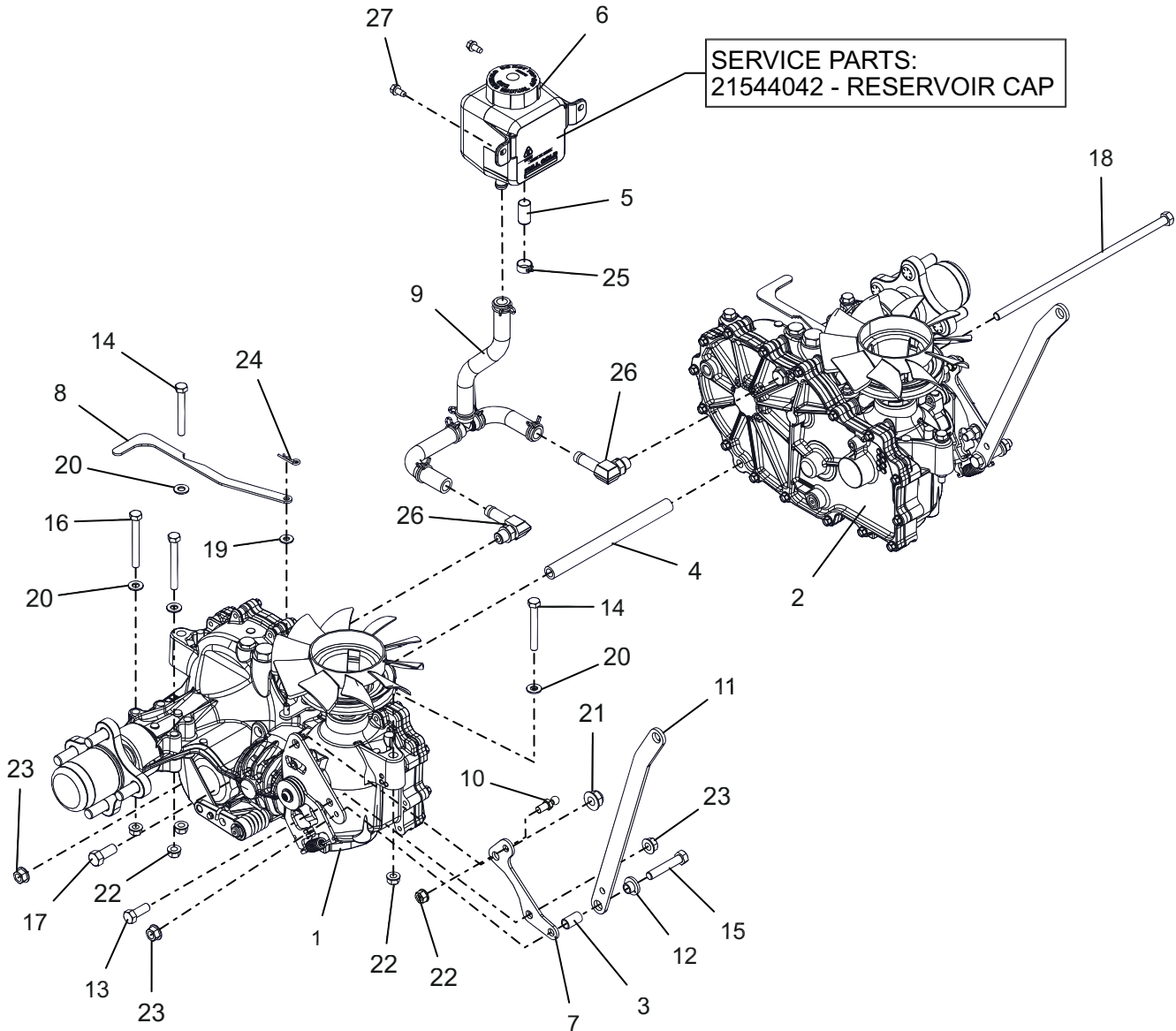
Model 991145



BOM ID	Number	Qty	Description
1	05166253	2	WLDMT, CASTER FORK
2	07101310	2	ASSM TIRE/WHEEL, 20.5 X 8.00 - 10
3	06500926	8	NUT, WHEEL .500-20 ZCC
4	04792200	2	CAP, DUST
5	05901724	2	BLT, HEX 0.375-16X1.25 GR5 ZC120
7	06300120	2	WSHR,LK-HVY 0.377 X 0.115 ZCC
8	06401106	2	WSHR-FL-STL 0.38X1.5X0.125 ZCC
9	05400722	4	BRG-BALL 1.00X2.00X.56
10	06416600	2	WSHR, HRD THRS 1.007X1.542X.062
11	05902023	2	BLT, HEX 0.5-13X7.5 GR5 ZCC
12	06500902	2	NUT, FLG-CTR LK .500-13 GG ZCC
13	00675300	4	SPACER, FRONT WHEEL
14	07101111	2	ASSM TIRE/WHEEL,

TRANSAXLES

Models All

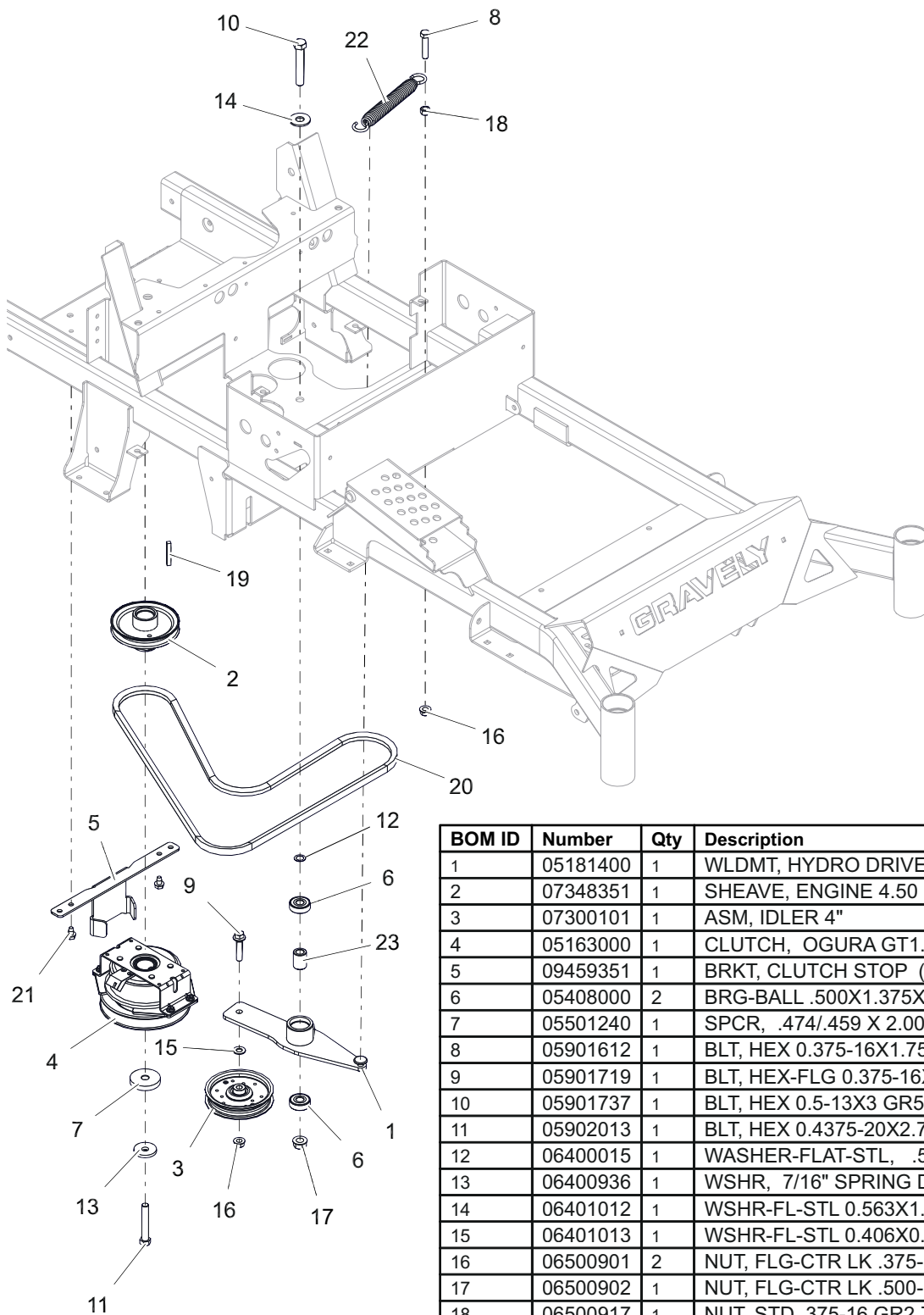


BOM ID	Number	Qty	Description
1	05172400	1	TRANSAXLE, RH ZT-3100
2	05172500	1	TRANSAXLE, LH ZT-3100
3	01583000	2	SPCR, .390 x .500 x .860
4	03367200	1	SPACER, .406 ID X .630 OD X 7.724
5	04894200	1	CAP, .50 BARBED FITTING
6	04894600	1	TANK, HYDRO OVERFLOW 700ML
7	05155051	2	LINK, TRANSAXLE STEERING (BLACK)
8	05163951	2	BRKT, DUMP VALVE (BLACK)
9	05166100	1	ASM, COMPACT OVERFLOW HOSE
10	03652200	2	STUD-BALL
11	05163751	2	LINK, COMPACT DRIVE CONTROL (BLACK)
12	05500435	2	BSHG, FLG .385 X .500 X .875 X .406
13	05901617	2	BLT, HEX 0.375-16X1 GR5 CKF
14	05901717	4	BLT, HEX 0.3125-18X2.5 GR8 ZC120

BOM ID	Number	Qty	Description
15	05901718	2	BLT, HEX 0.375-16X2 GR5 ZC120
16	05901807	4	BLT, HEX 0.3125-18X2.75 GR5 ZCC
17	05901913	2	BLT, HEX 0.4375-14X1 GR5 ZCC
18	05901921	1	BLT, HEX 0.375-16X11 GR5 ZCC
19	06401001	2	WSHR-FL-STL 0.281X0.625X0.065 ZC120
20	06401017	8	WSHR-FL-STL 0.344X0.688X0.065 ZC120
21	06500811	2	NUT, LK-NYL-FLG .44-14 GR5 ZC120
22	06500840	10	NUT, FLG-CTR LK .312-18 GR5 ZCC
23	06500901	5	NUT, FLG-CTR LK .375-16 GR5 ZC120
24	06700222	2	PIN, HAIR #213 .08X1.19 ZCC
25	06900635	1	CLAMP, HOSE
26	07001528	2	FITTING, HYD (90 DEG)
27	07400122	2	SCR-TAP .25-20X.50 HWH ZCC

TRANSAXLE DRIVE

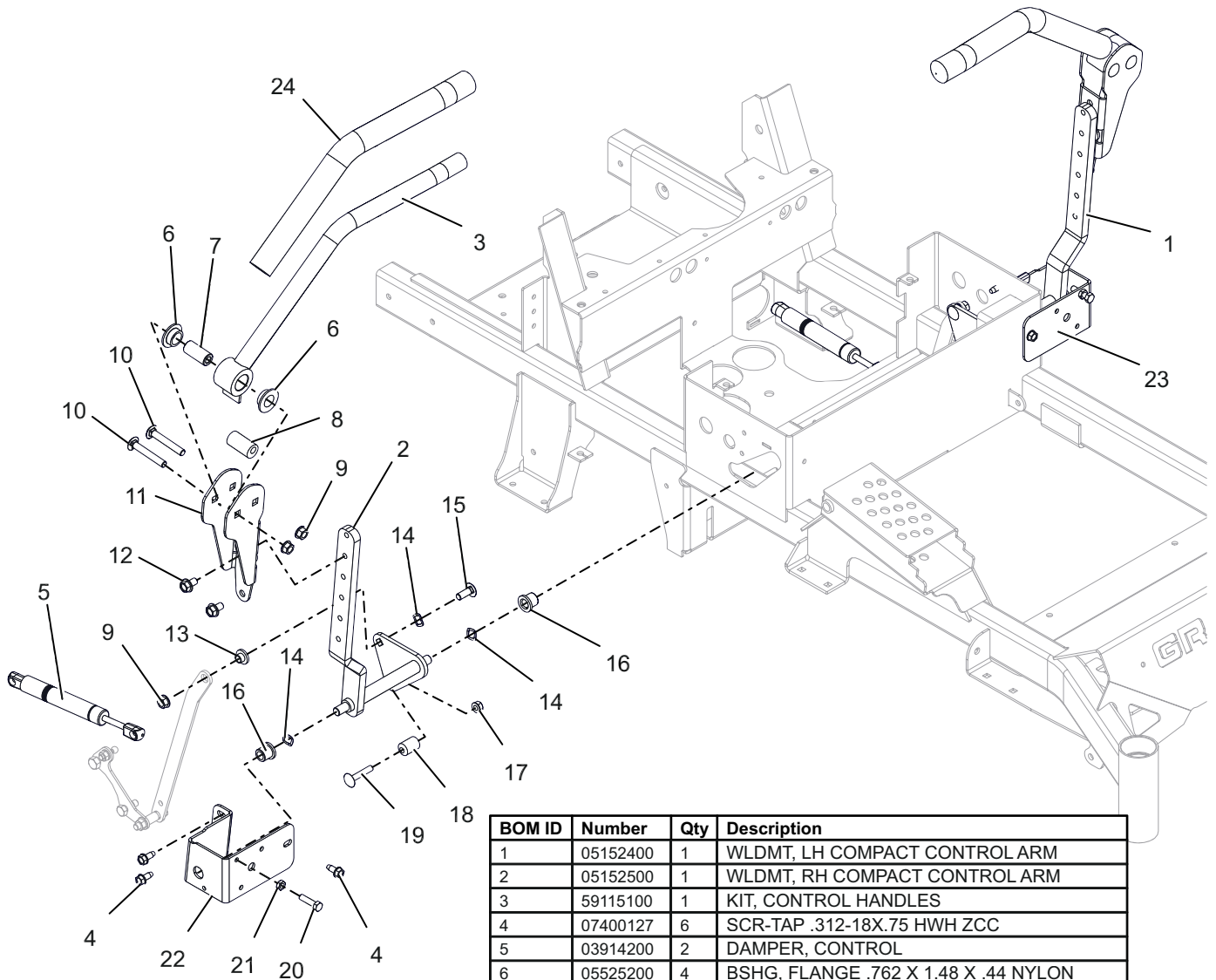
Models All



BOM ID	Number	Qty	Description
1	05181400	1	WLDMT, HYDRO DRIVE IDLER ARM
2	07348351	1	SHEAVE, ENGINE 4.50 OD X 1.127 (BLACK)
3	07300101	1	ASM, IDLER 4"
4	05163000	1	CLUTCH, OGURA GT1.5 - AR11(D)
5	09459351	1	BRKT, CLUTCH STOP (BLACK)
6	05408000	2	BRG-BALL .500X1.375X.44
7	05501240	1	SPCR, .474/.459 X 2.00 X .350
8	05901612	1	BLT, HEX 0.375-16X1.75F GR5 ZC120
9	05901719	1	BLT, HEX-FLG 0.375-16X1.75 GR5 ZC120
10	05901737	1	BLT, HEX 0.5-13X3 GR5 ZCC
11	05902013	1	BLT, HEX 0.4375-20X2.75 G8 ZCC NT
12	06400015	1	WASHER-FLAT-STL, .500 X .750 X .020
13	06400936	1	WSHR, 7/16" SPRING DISC
14	06401012	1	WSHR-FL-STL 0.563X1.375X0.109 ZC120
15	06401013	1	WSHR-FL-STL 0.406X0.812X0.065 ZC120
16	06500901	2	NUT, FLG-CTR LK .375-16 GR5 ZC120
17	06500902	1	NUT, FLG-CTR LK .500-13 GF ZCC
18	06500917	1	NUT, STD .375-16 GR2 ZCC
19	06601800	1	KEY-STR .25X1.75X.25
20	07200726	1	V-BELT, HA -RAW EDGED COGGED
21	07400124	2	SCR-TAP .312-18X.50 HWH ZCC
22	08300728	1	SPRG, EXTENSION - SWIVEL
23	09357700	1	SPACER SLEEVED SPACER, .510 X .867 X 1.148

DRIVE CONTROLS

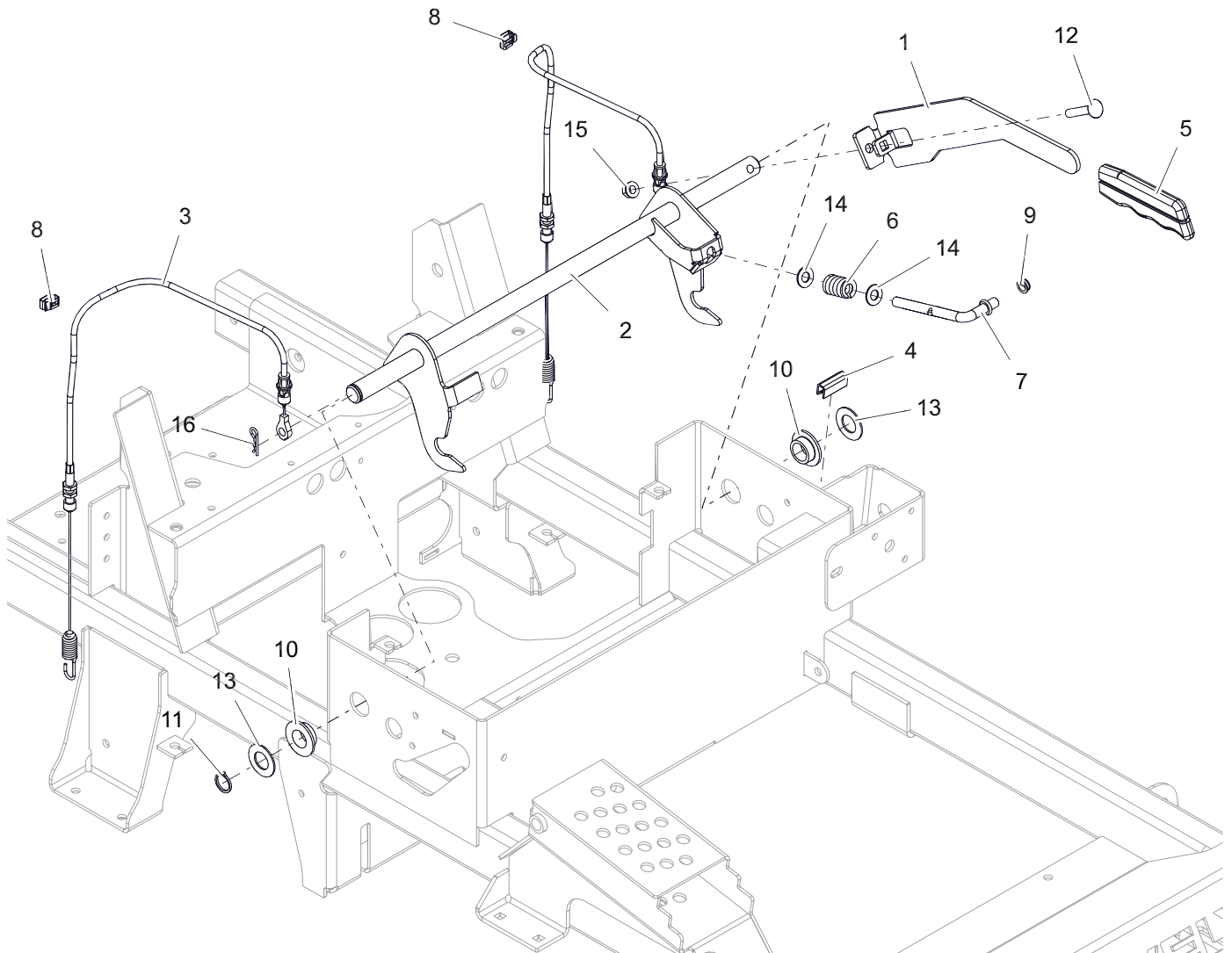
Models All



BOM ID	Number	Qty	Description
1	05152400	1	WLDMT, LH COMPACT CONTROL ARM
2	05152500	1	WLDMT, RH COMPACT CONTROL ARM
3	59115100	1	KIT, CONTROL HANDLES
4	07400127	6	SCR-TAP .312-18X.75 HWH ZCC
5	03914200	2	DAMPER, CONTROL
6	05525200	4	BSHG, FLANGE .762 X 1.48 X .44 NYLON
7	04413600	2	SPCR, STEERING ARM
8	05501223	2	BSHG, ECCENTRIC .328 X .750 X 1.625
9	06500901	6	NUT, FLG-CTR LK .375-16 GR5 ZC120
10	06200315	4	BTL,RHSSN .375-16 X 2.5 G5 ZCC
11	05068751	2	BRKT, ADJ UPPER CONTROL ARM
12	07001707	4	BLT-SERHFVH .38-16X.62 YWZC
13	05500435	2	BSHG, FLG .385 X .500 X .875 X .406
14	00325400	6	WAVE WASHER .531X.781X.125 FH
15	06200235	2	BTL,RHSSN .375-16 X 1 G5 ZCC
16	05501001	4	BSHG, FLANGE .500X.750X.750X.125
17	06500840	2	NUT, FLG-CTR LK .312-18 GR5 ZCC
18	09235700	2	ECCENTRIC
19	06200222	2	BTL,RHSSN .313-18 X 1.75 G5 FPB
20	05901803	2	BLT, HEX 0.3125-18X1.25 GR5 ZCC
21	06500909	2	NUT, JAM .312-18 GR5 ZCC
22	05152153	1	STOP, RH COMPACT DRIVE CONTROL (RED)
23	05152253	1	STOP, LH COMPACT DRIVE CONTROL (RED)
24	04383600	2	GRIP, HANDLEBAR

PARKING BRAKE

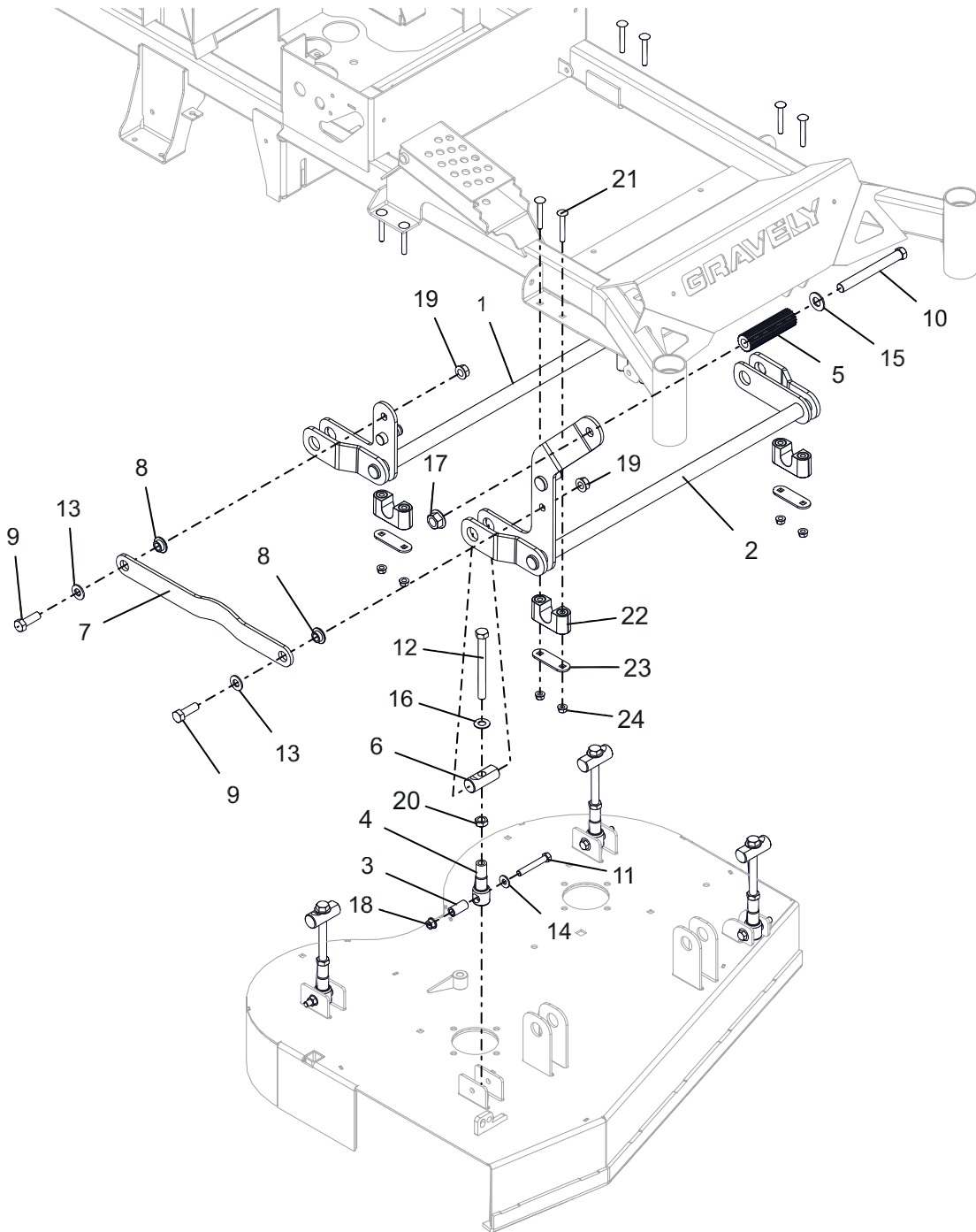
Models All



BOM ID	Number	Qty	Description
1	05070751	1	HANDLE, PT/PT100 BRAKE (BLACK)
2	05152300	1	WLDMT, COMPACT PRO BRAKE LEVER
3	06900710	2	CABLE, BRAKE ACTUATING
4	00918200	1	STRIP, COWL - 1.25 LG
5	05097200	1	GRIP, PARKING BRAKE, GREY
6	08320900	1	SPRG, COMPRESSION
7	05166900	1	LINK, OVER CENTER BRAKE
8	05179900	2	CLIP, SOLAR
9	05500020	1	BSHG, POLYLINER-.38 SNAPIN
10	05525200	2	BSHG, FLANGE .762 X 1.48 X .44 NYLON
11	05714600	1	RG-RTNG-EXT .750x.078
12	06200222	1	BTL,RHSSN .313-18 X 1.75 G5 FPB
13	06401016	2	WSHR-FL-STL 0.755X1.375X0.062 ZCC
14	06401129	2	WSHR-FL-STL 0.406X0.812X0.055 HRD
15	06500840	1	NUT, FLG-CTR LK .312-18 GR5 ZCC
16	06700222	2	PIN, HAIR #213 .08X1.19 ZCC

DECK LIFT – 34"

Model 991144

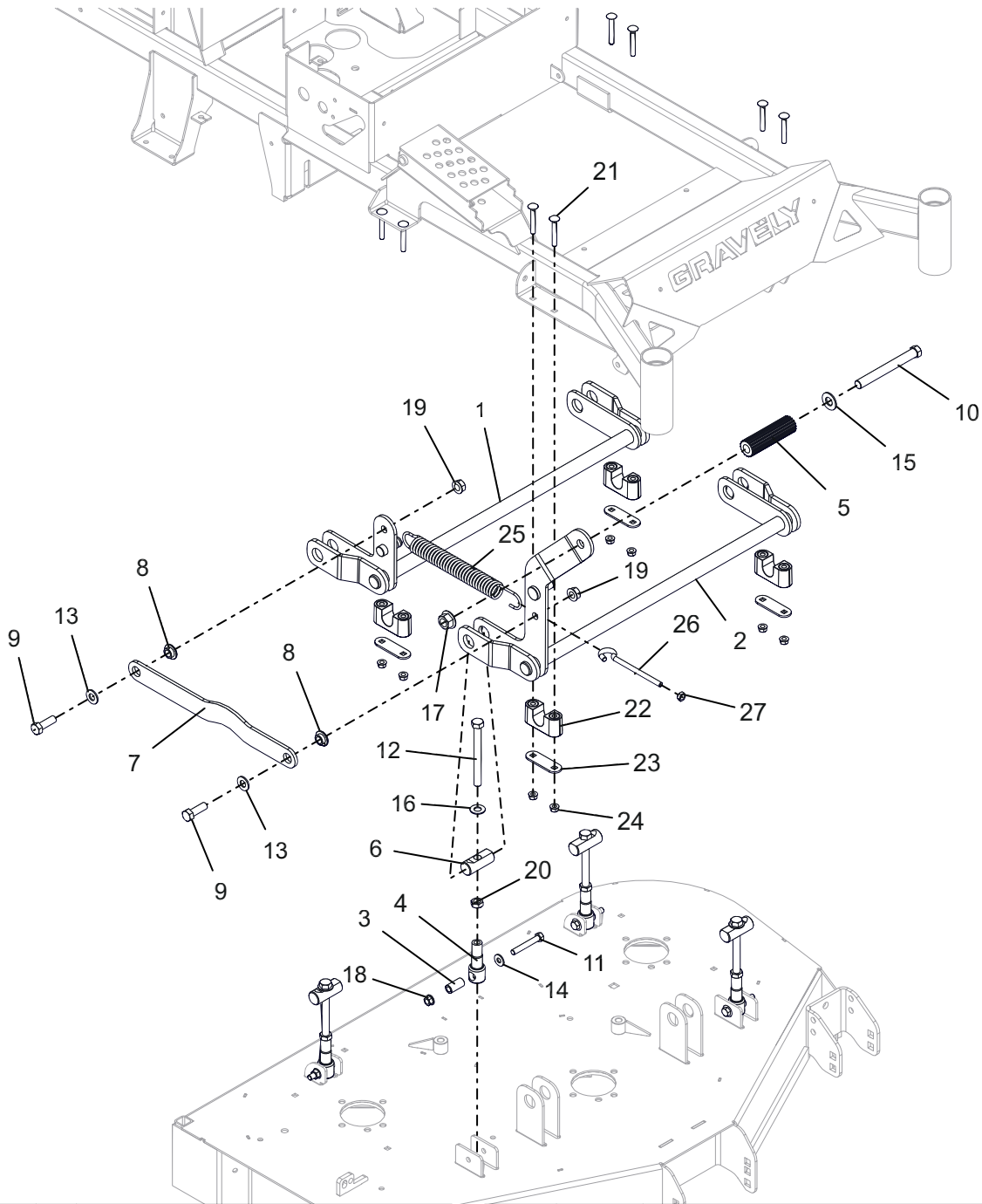


BOM ID	Number	Qty	Description
1	05156751	1	WLDMT, COMPACT REAR DECK LIFT (BLACK)
2	05156651	1	WLDMT, COMPACT FRONT DECK LIFT (BLACK)
3	04895200	4	SPCR, DECK LEVELING
4	05081400	4	LINK, DECK LIFT, FORMED
5	05120951	1	ROD, FOOT PEDAL (BLACK)
6	05149500	4	PIN, DECK LIFT
7	05166051	1	LINK, DECK LIFT (BLACK)
8	05501135	2	BSHG, FLANGE .515X.750X.420X1.12
9	05901631	2	BLT, HEX 0.5-13X1.5 GR5 ZC120
10	05901730	1	BLT, HEX 0.625-11X5.5 GR5 ZB500
11	05901812	4	BLT, HEX 0.375-16X2.5 GR5 ZCC
12	05901925	4	BLT, HEX 0.5-13X5S GR5 ZCC
13	06401015	2	WSHR-FL-STL 0.531X1.062X0.095 ZC120

BOM ID	Number	Qty	Description
14	06401023	4	WSHR-FL-STL 0.375X0.875X0.083 ZC120
15	06401039	1	WSHR-FL-STL 0.656X1.312X0.095 RIE5230
16	06401116	4	WSHR-FL-STL 0.526X1.055X0.074 HRD
17	06500835	1	NUT, FLG-TOP LK .625-11 FBP
18	06500901	4	NUT, FLG-CTR LK .375-16 GR5 ZC120
19	06500902	2	NUT, FLG-CTR LK .500-13 GG ZCC
20	06500911	4	NUT, JAM .50-13 GR5 ZC120
21	06200311	8	BTL, RHSSN .313-18 X 2.25 G5 ZCC
22	07500414	4	ASM, BSHG
23	04766551	4	PLATE, BEARING SUPPORT
24	06500840	8	NUT, FLG-CTR LK .312-18 GR5 ZCC

DECK LIFT – 44"

Model 991145

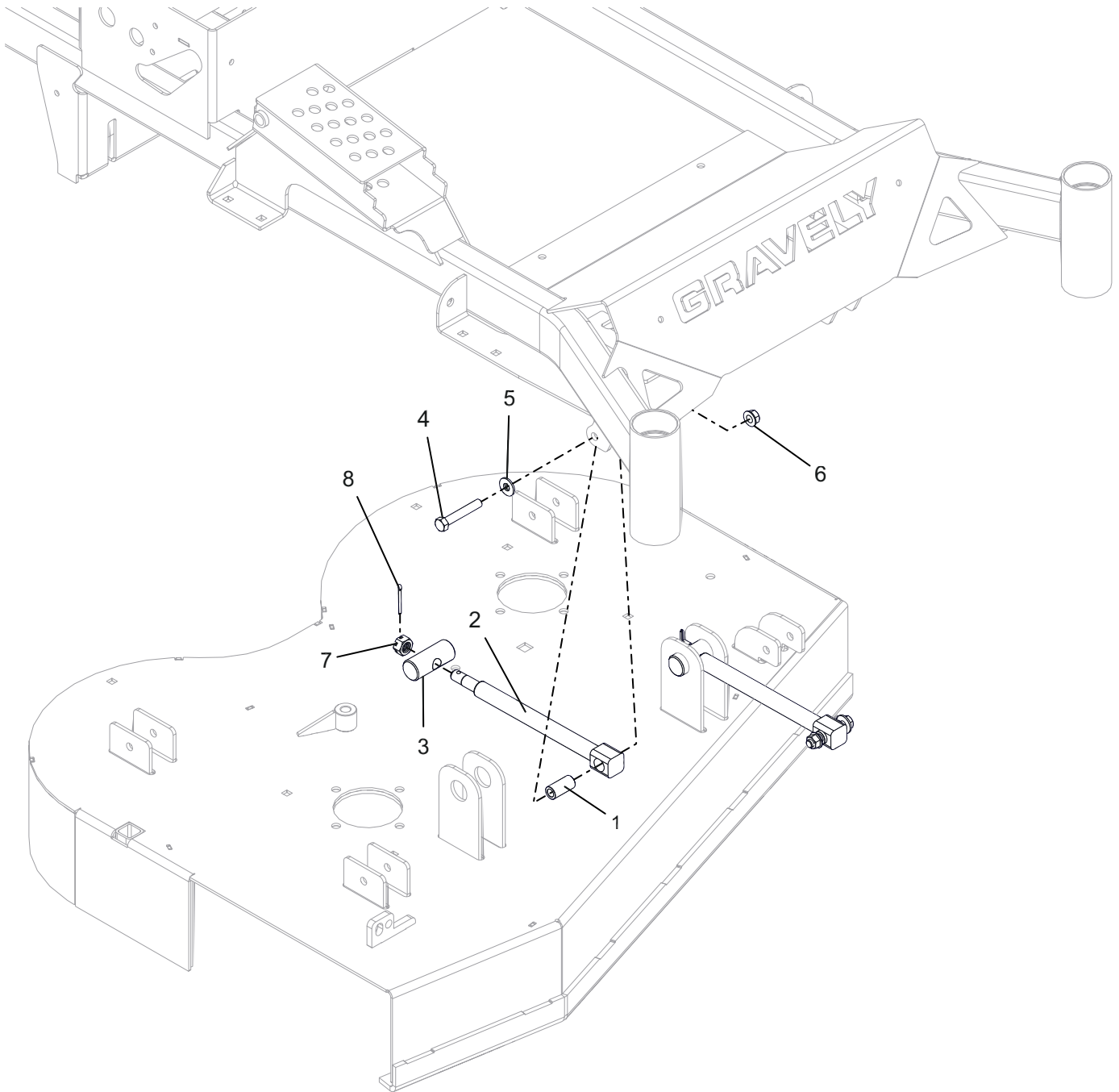


BOM ID	Number	Qty	Description
1	05156751	1	WLDMT, COMPACT REAR DECK LIFT (BLACK)
2	05156651	1	WLDMT, COMPACT FRONT DECK LIFT (BLACK)
3	04895200	4	SPCR, DECK LEVELING
4	05081400	4	LINK, DECK LIFT, FORMED
5	05120951	1	ROD, FOOT PEDAL (BLACK)
6	05149500	4	PIN, DECK LIFT
7	05166051	1	LINK, DECK LIFT (BLACK)
8	05501135	2	BSHG, FLANGE .515X.750X.420X1.12
9	05901631	2	BLT, HEX 0.5-13X1.5 GR5 ZC120
10	05901730	1	BLT, HEX 0.625-11X5.5 GR5 ZB500
11	05901812	4	BLT, HEX 0.375-16X2.5 GR5 ZCC
12	05901925	4	BLT, HEX 0.5-13X5S GR5 ZCC
13	06401015	2	WSHR-FL-STL 0.531X1.062X0.095 ZC120
14	06401023	4	WSHR-FL-STL 0.375X0.875X0.083 ZC120

BOM ID	Number	Qty	Description
15	06401039	1	WSHR-FL-STL 0.656X1.312X0.095 RIE5230
16	06401116	4	WSHR-FL-STL 0.526X1.055X0.074 HRD
17	06500835	1	NUT,FLG-TOP LK .625-11 FBP
18	06500901	4	NUT, FLG-CTR LK .375-16 GR5 ZC120
19	06500902	2	NUT, FLG-CTR LK .500-13 GG ZCC
20	06500911	4	NUT, JAM .50-13 GR5 ZC120
21	06200311	8	BTL,RHSSN .313-18 X 2.25 G5 ZCC
22	07500414	4	ASM, BSHG
23	04766551	4	PLATE, BEARING SUPPORT
24	06500840	8	NUT, FLG-CTR LK .312-18 GR5 ZCC
25	08319000	1	SPRNG, TENSION .162 X 1.250 X 7.432
26	07001640	1	BOLT, EYE .38-16X6.00 .62 DIA
27	06500910	1	NUT, HEX .50-13 GR5 ZC120

DRAG LINK

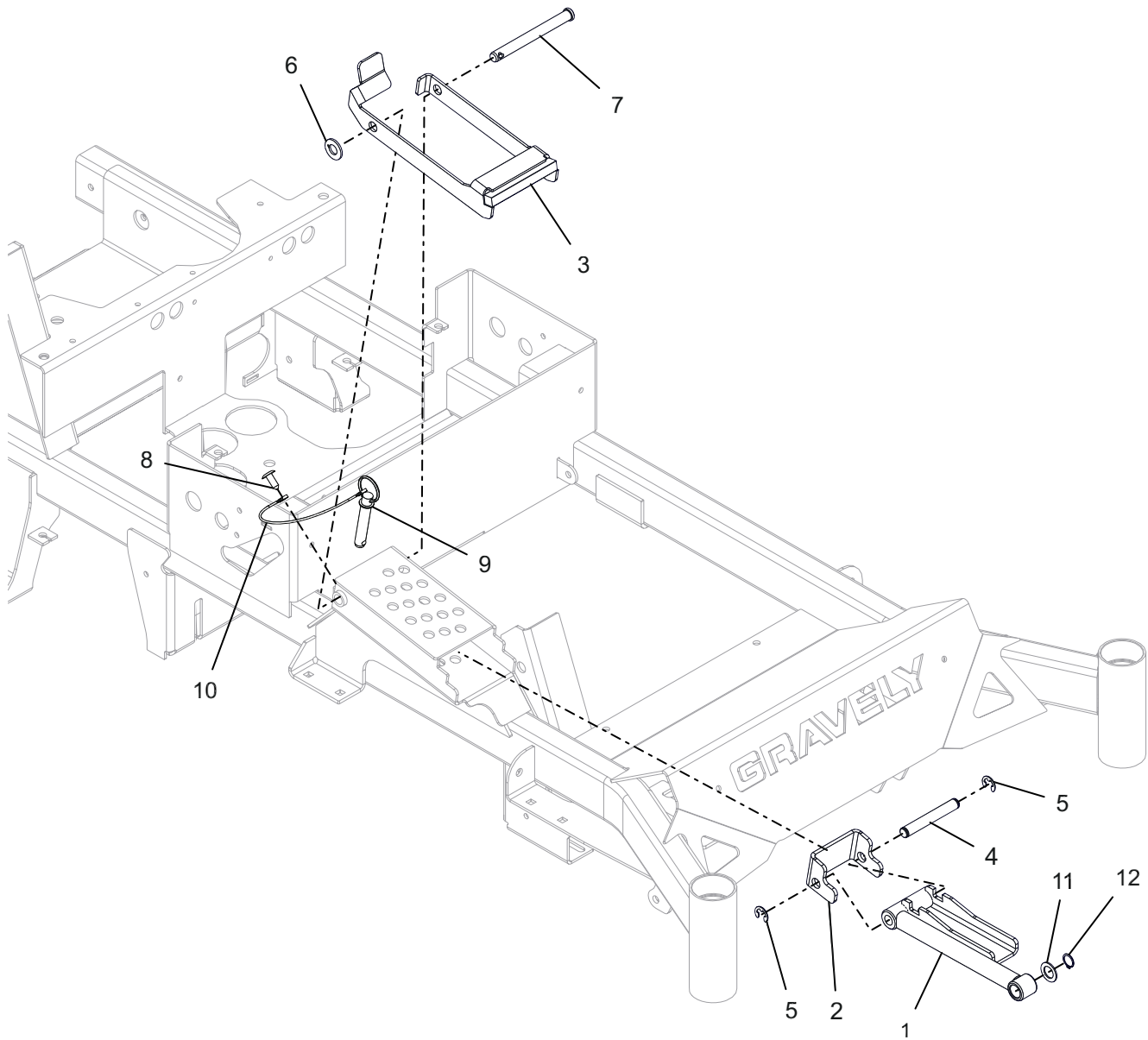
Models All



BOM ID	Number	Qty	Description
1	04895200	2	SPCR, DECK LEVELING
2	05126700	2	DRAG, LINK
3	05149500	2	PIN, DECK LIFT
4	05901640	2	BLT, HEX 0.375-16X2.25 GR5 ZC120
5	06401023	2	WSHR-FL-STL 0.375X0.875X0.083 ZC120
6	06500901	2	NUT, FLG-CTR LK .375-16 GR5 ZC120
7	06505000	2	NUT, -SL .50-13
8	06700212	2	PIN, CTR .12X1.25 EXTPRSQCT ZC120

HEIGHT OF CUT

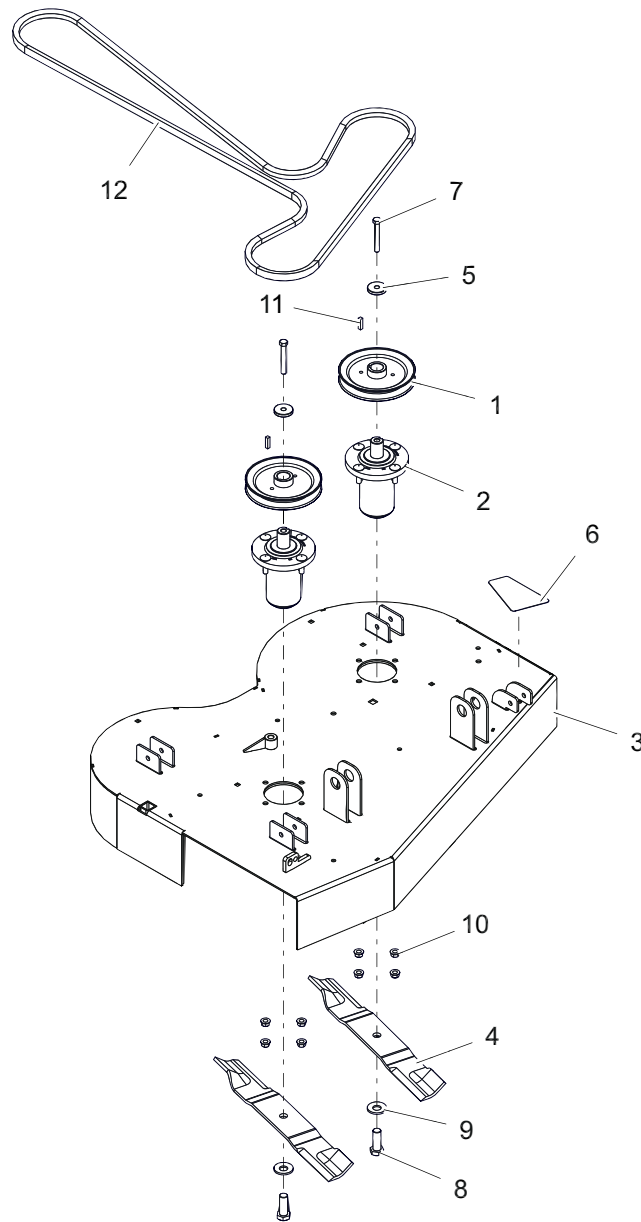
Models All



BOM ID	Number	Qty	Description
1	05156853	1	WLDMT, HOC LIFT ARM (RED)
2	05174851	1	BRKT, COMPACT HOC LINE (BLACK)
3	05172953	1	WLDMT, HOC TRANSFER LOCK (RED)
4	05077700	1	ROD, HOC PIVOT
5	05710200	2	RING, RETAINING-E .500X.042
6	06401015	1	WSHR-FL-STL 0.531X1.062X0.095 ZC120
7	06800201	1	PIN, SLIC-.500X4.97X4.55 -ZC
8	P80-332-A	1	XMAS TREE FASTNER-BLACK
9	06800136	1	PIN, .500 x 2.200 USABLE LG BALL
10	06900317	1	LANYARD, 12"
11	06401117	1	WSHR-FL-STL 0.63X1.005X0.062 ZCC
12	05711900	1	RG-RTNG-EXT .625x.035

DECK, BELT, BLADES AND SPINDLES – 34"

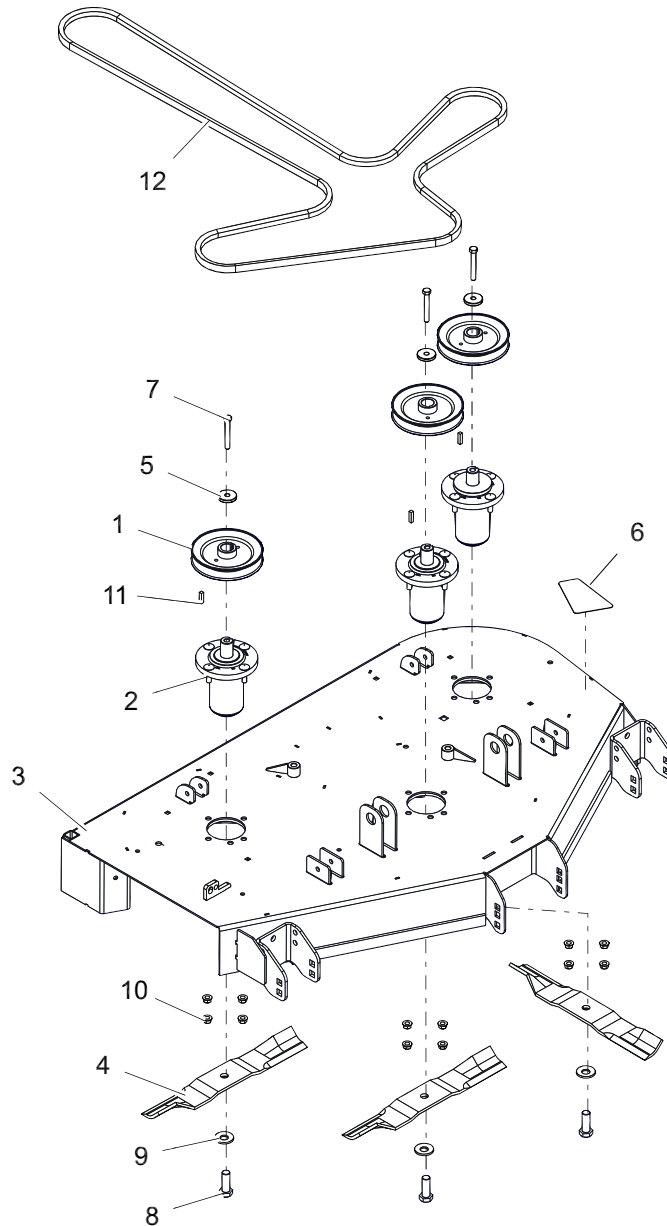
Model 991144



BOM ID	Number	Qty	Description
1	07342951	2	PULLEY, V - 1" ID X 6.00" OD (BLACK)
2	58810800	2	ASM, ALUM SPINDLE
3	59114900	1	KIT, 34" DECK W/SAFTEY DECALS)
4	00450300	2	BLADE, MOWER - 18.00" (HI-LIFT)
5	04530500	2	RETAINER, SHEAVE SPINDLE
6	05199100	1	GRIP, STEP
7	05901813	2	BLT, HEX 0.375-16X2.75 GR8 ZCC
8	05901822	2	BLT, HEX 0.625-18X1.75 GR8 ZCC
9	06445700	2	WSHR, BLVL-.63X1.625X.14
10	06500901	8	NUT, FLG-CTR LK .375-16 GR5 ZC120
11	06611200	2	KEY-SQ .250X.250X1.00 RC 40-50
12	07200809	1	V-BELT, B RAW EDGE EPDM

DECK, BELT, BLADES AND SPINDLES – 44"

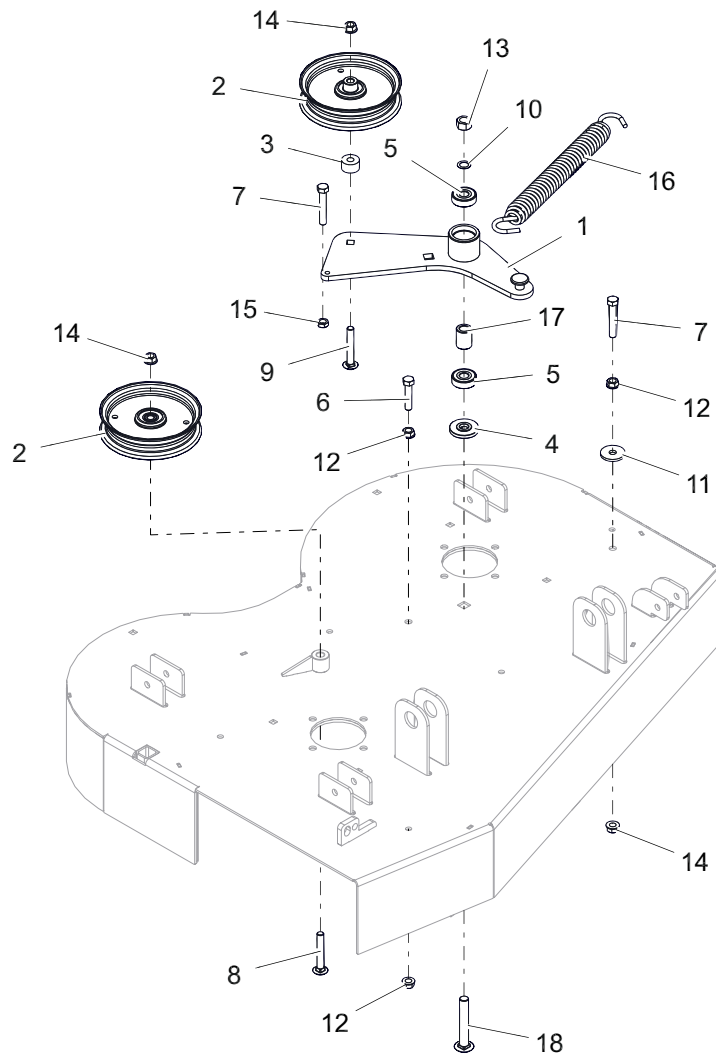
Model 991145



BOM ID	Number	Qty	Description
1	07343251	3	PULLEY, V-1.00 ID X 5.75 OD (BLACK)
2	58810800	3	ASM, ALUM SPINDLE
3	59115000	1	KIT, 44" DECK W/SAFTEY DECALS
4	00450200	3	BLADE, 16.19" MOWER (HI-LIFT)
5	04530500	3	RETAINER, SHEAVE SPINDLE
6	05199100	1	GRIP, STEP
7	05901813	3	BLT, HEX 0.375-16X2.75 GR8 ZCC
8	05901822	3	BLT, HEX 0.625-18X1.75 GR8 ZCC
9	06445700	3	WSHR, BLVL-.63X1.625X.14
10	06500901	12	NUT, FLG-CTR LK .375-16 GR5 ZC120
11	06611200	3	KEY-SQ .250X.250X1.00 RC 40-50
12	07200808	1	V-BELT, B SECTION RAW EDGE

IDLERS AND SHEAVES – 34"

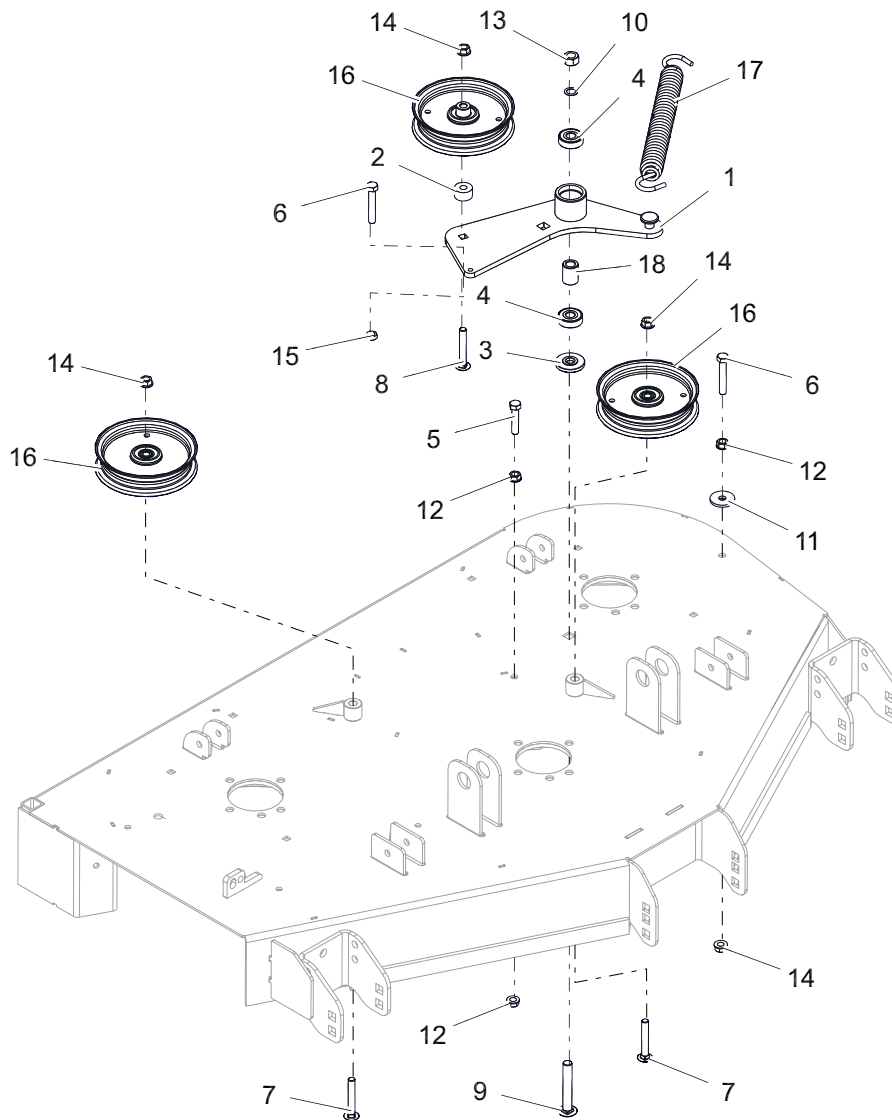
Model 991144



BOM ID	Number	Qty	Description
1	05165300	1	WLDMT, DECK PTO IDLER ARM
2	07351200	2	IDLER, FLAT - .500 X .75
3	03035100	1	SPACER SLEEVED
4	04714600	1	SPACER FLANGED ARM
5	05408000	2	BRG-BALL .500X1.375X.44
6	05901612	1	BLT, HEX 0.375-16X1.75F GR5 ZC120
7	05901640	2	BLT, HEX 0.375-16X2.25 GR5 ZC120
8	06200234	1	BTL,RHSN .375-16 X 2.5 G5 ZCC
9	06200315	1	BTL,RHSSN .375-16 X 2.5 G5 ZCC
10	06400015	1	WASHER-FLAT-STL, .500 X .750 X .020
11	06401121	1	WSHR-FL-STL 0.406X1.375X0.135 ZCC
12	06500735	3	NUT, FLG-SPNLK .375-16 GR5 ZC120
13	06500827	1	NUT, HEX-CTR LK .500-13 GG ZCC
14	06500901	3	NUT, FLG-CTR LK .375-16 GR5 ZC120
15	06500910	1	NUT-JAM .375-16 GR2 ZCC
16	08300708	1	SPRG, EXTENSION
17	09357700	1	SPACER SLEEVED SPACER, .510 X .867 X 1.148
18	06200339	1	BTL,RHSSN .500-13 X 3.25 G5 ZCC

IDLERS AND SHEAVES – 44"

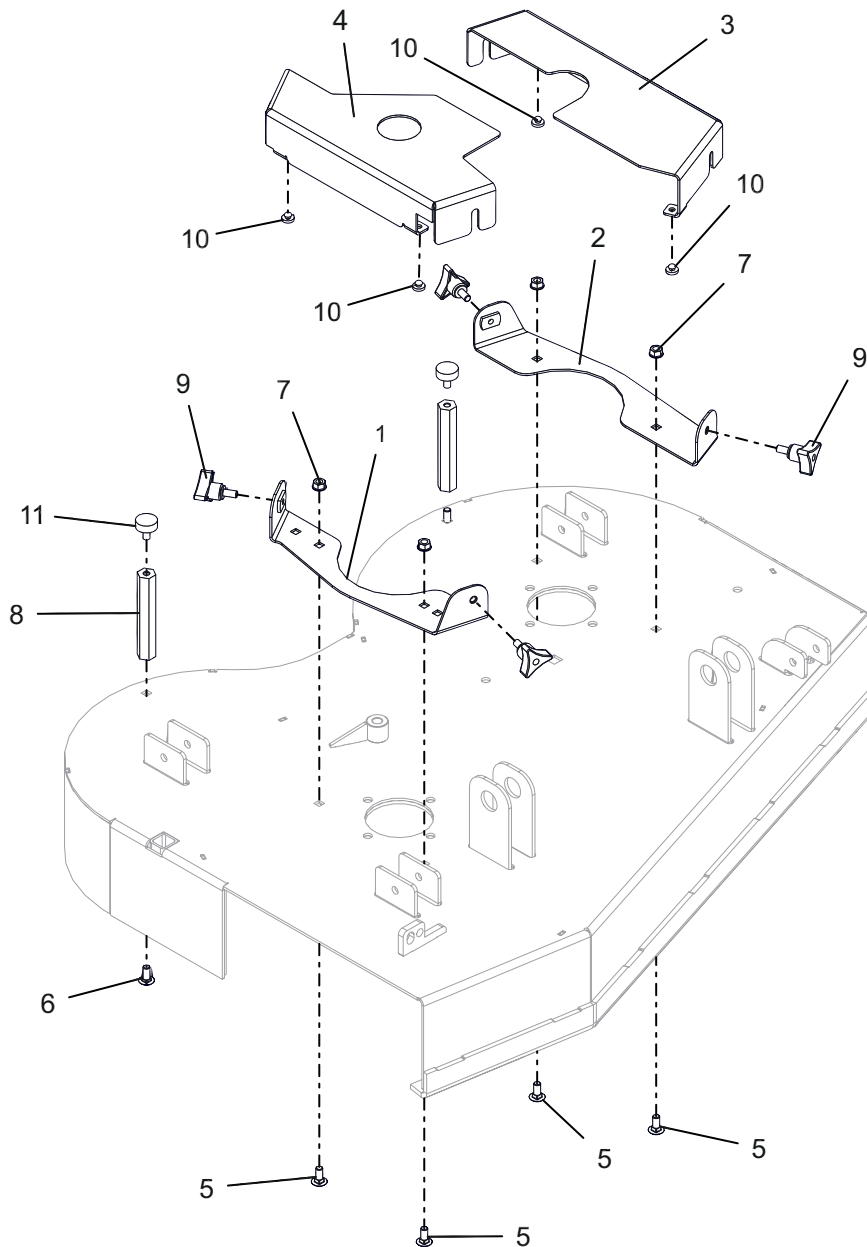
Model 991145



BOM ID	Number	Qty	Description
1	05165300	1	WLDMT, DECK PTO IDLER ARM
2	03035100	1	SPACER SLEEVED
3	04714600	1	SPACER FLANGED ARM
4	05408000	2	BRG-BALL .500X1.375X.44
5	05901612	1	BLT, HEX 0.375-16X1.75F GR5 ZC120
6	05901640	2	BLT, HEX 0.375-16X2.25 GR5 ZC120
7	06200234	2	BTL,RHSN .375-16 X 2.5 G5 ZCC
8	06200315	1	BTL,RHSSN .375-16 X 2.5 G5 ZCC
9	06200339	1	BTL,RHSSN .500-13 X 3.25 G5 ZCC
10	06400015	1	WASHER-FLAT-STL, .500 X .750 X .020
11	06401121	1	WSHR-FL-STL 0.406X1.375X0.135 ZCC
12	06500735	3	NUT, FLG-SPNLK .375-16 GR5 ZC120
13	06500827	1	NUT, HEX-CTR LK .500-13 GG ZCC
14	06500901	4	NUT, FLG-CTR LK .375-16 GR5 ZC120
15	06500910	1	NUT-JAM .375-16 GR2 ZCC
16	07351200	3	IDLER, FLAT - .500 X .75
17	08300708	1	SPRG, EXTENSION
18	09357700	1	SPACER SLEEVED SPACER, .510 X .867 X 1.148

BELT COVERS – 34"

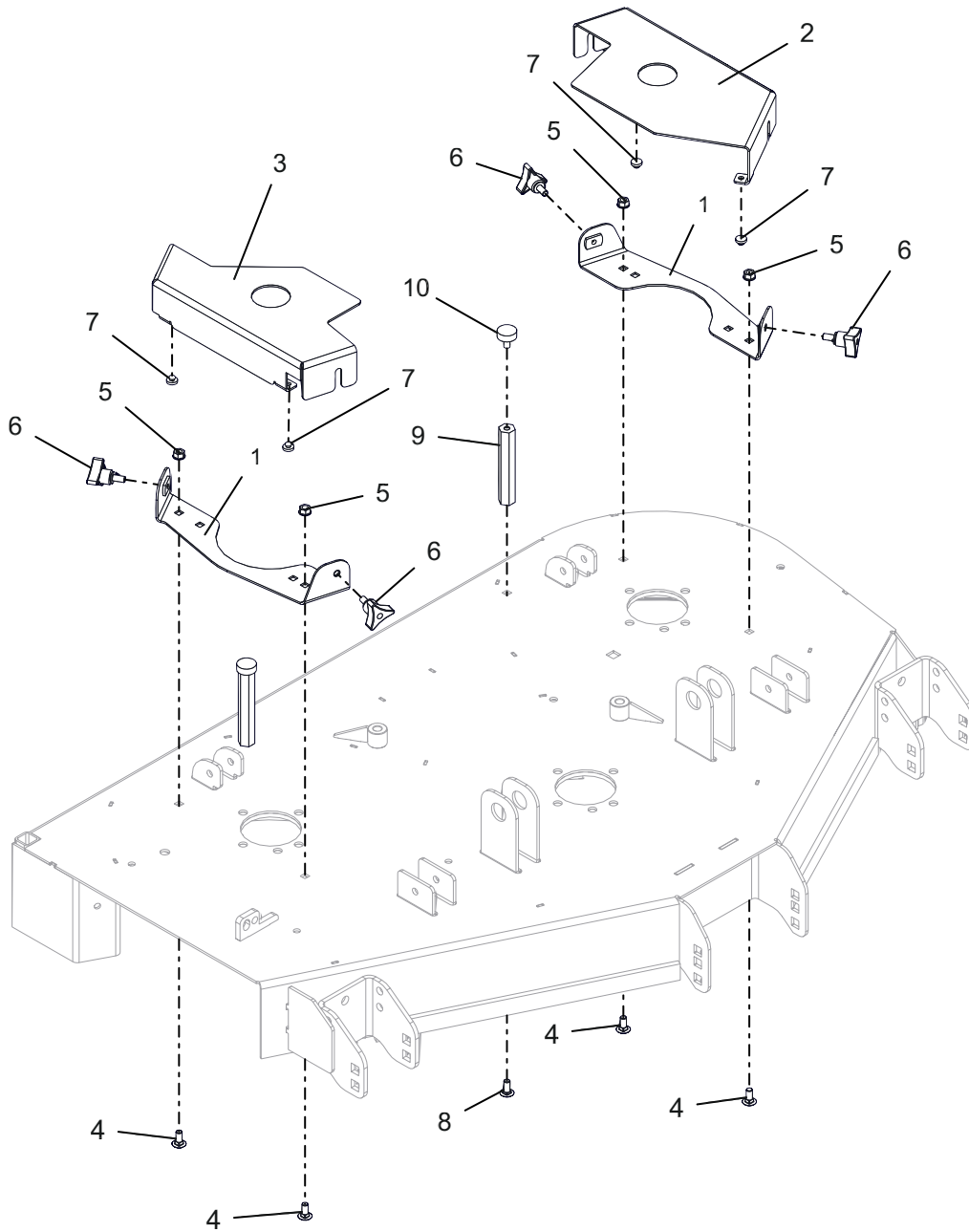
Model 991144



BOM ID	Number	Qty	Description
1	05178353	1	WLDMT, BELT GUARD MTG BRKT (RED)
2	05191153	1	WLDMT, BELT GUARD MTG BRKT
3	05191053	1	GUARD, 34" LH DECK BELT (RED)
4	05178553	1	GUARD, RH DECK BELT (RED)
5	06200232	4	BTL,RHSN .313-18 X 0.75 G5 ZCC
6	06200309	2	BTL,RHSSN .313-18 X 0.75 G5 ZCC
7	06500840	4	NUT, FLG-CTR LK .312-18 GR5 ZCC
8	07001821	2	NUT, .31-18 x 4.375 LG COUPLING
9	07500008	4	KNOB, WING STUD .312-18X.75
10	07503100	4	BUMPER, GROMMET
11	07533600	2	BUMPER, RUBBER

BELT COVERS – 44"

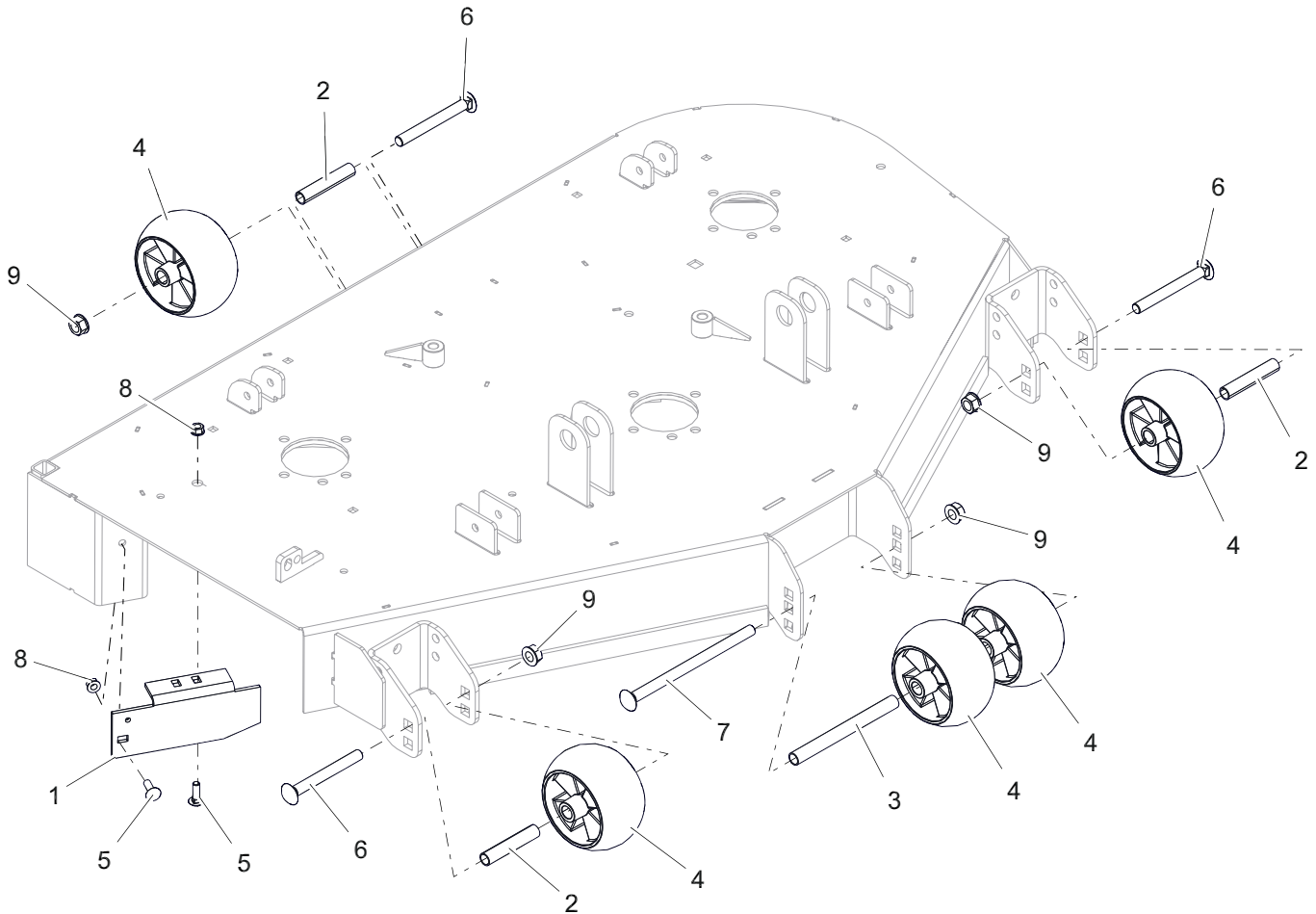
Model 991145



BOM ID	Number	Qty	Description
1	05178353	2	WLDMT, BELT GUARD MTG BRKT (RED)
2	05178453	1	GUARD, 44" LH DECK BELT
3	05178553	1	GUARD, RH DECK BELT (RED)
4	06200232	4	BTL,RHSN .313-18 X 0.75 G5 ZCC
5	06500840	4	NUT, FLG-CTR LK .312-18 GR5 ZCC
6	07500008	4	KNOB, WING STUD .312-18X.75
7	07503100	4	BUMPER, GROMMET
8	06200309	2	BTL,RHSSN .313-18 X 0.75 G5 ZCC
9	07001821	2	NUT, .31-18 x 4.375 LG COUPLING
10	07533600	2	BUMPER, RUBBER

ANTI-SCALP ROLLERS – 44"

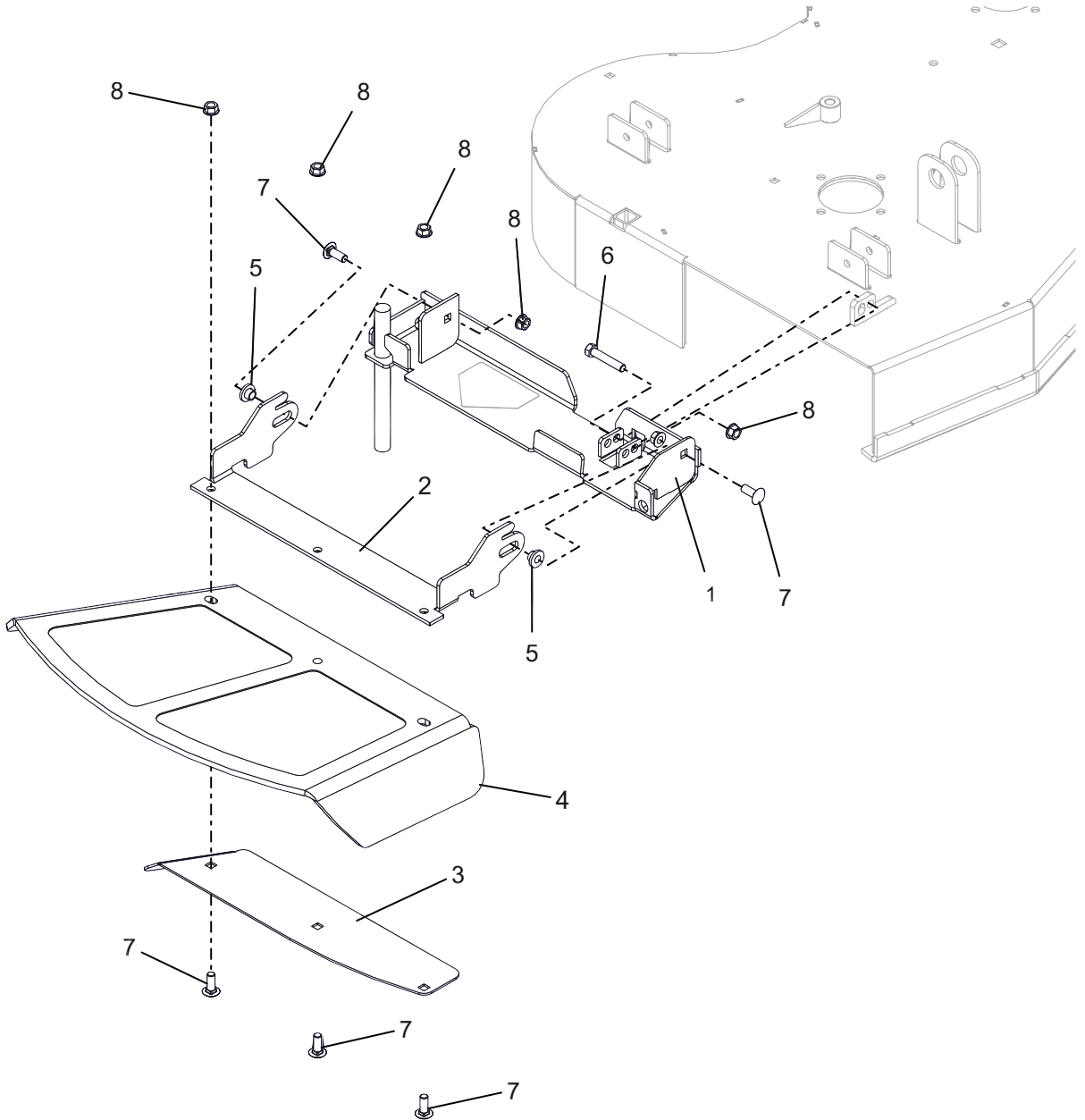
Model 991145



BOM ID	Number	Qty	Description
1	00451653	1	BAFFLE, 44-48" SIDE DISCHARGE
2	00473700	3	SPACER, .510X.625X3.35
3	00473800	1	SPACER, .510 X .625 X 6.50
4	03905900	5	WHEEL, ANTI SCALP - 5X3 CNTR
5	06200231	2	BTL,RHSN .313-18 X 1 G5 ZCC
6	06200505	3	BOLT, BOLT, RHNS .50-13X4.50 G5 ZCC NS
7	06200506	1	BOLT, RHNS .50-13X8.00 G5 ZCC NS
8	06500840	2	NUT, FLG-CTR LK .312-18 GR5 ZCC
9	06500902	4	NUT, FLG-CTR LK .500-13 GF ZCC

CHUTE

Models All



BOM ID	Number	Qty	Description
1	59115200	1	KIT, DISCHARGE CHUTE MOUNT
2	05138153	1	BRKT, 36" CHUTE MTG (RED)
3	04873753	1	PLATE, 48-60" DISCH CHUTE CLAMP (RED)
4	04881200	1	CHUTE, 48-60" FORMED RUBBER DISCHARGE
5	05500435	2	BSHG, FLG .385 X .500 X .875 X .406
6	05901718	1	BLT, HEX 0.375-16X2 GR5 ZC120
7	06200235	5	BTL,RHSSN .375-16 X 1 G5 ZCC
8	06500901	6	NUT, FLG-CTR LK .375-16 GR5 ZC120



655 West Ryan Street
Brillion, WI 54110

gravely.com



ARIENS|CO