



ZT XL

Parts Manual

Models:

915258 – ZT XL 52
(SN 060000 +)

915261 – ZT XL 48
(SN 060000 +)

915262 – ZT XL 42
(SN 060000 +)

915263 – ZT XL 52
(SN 060000 +)

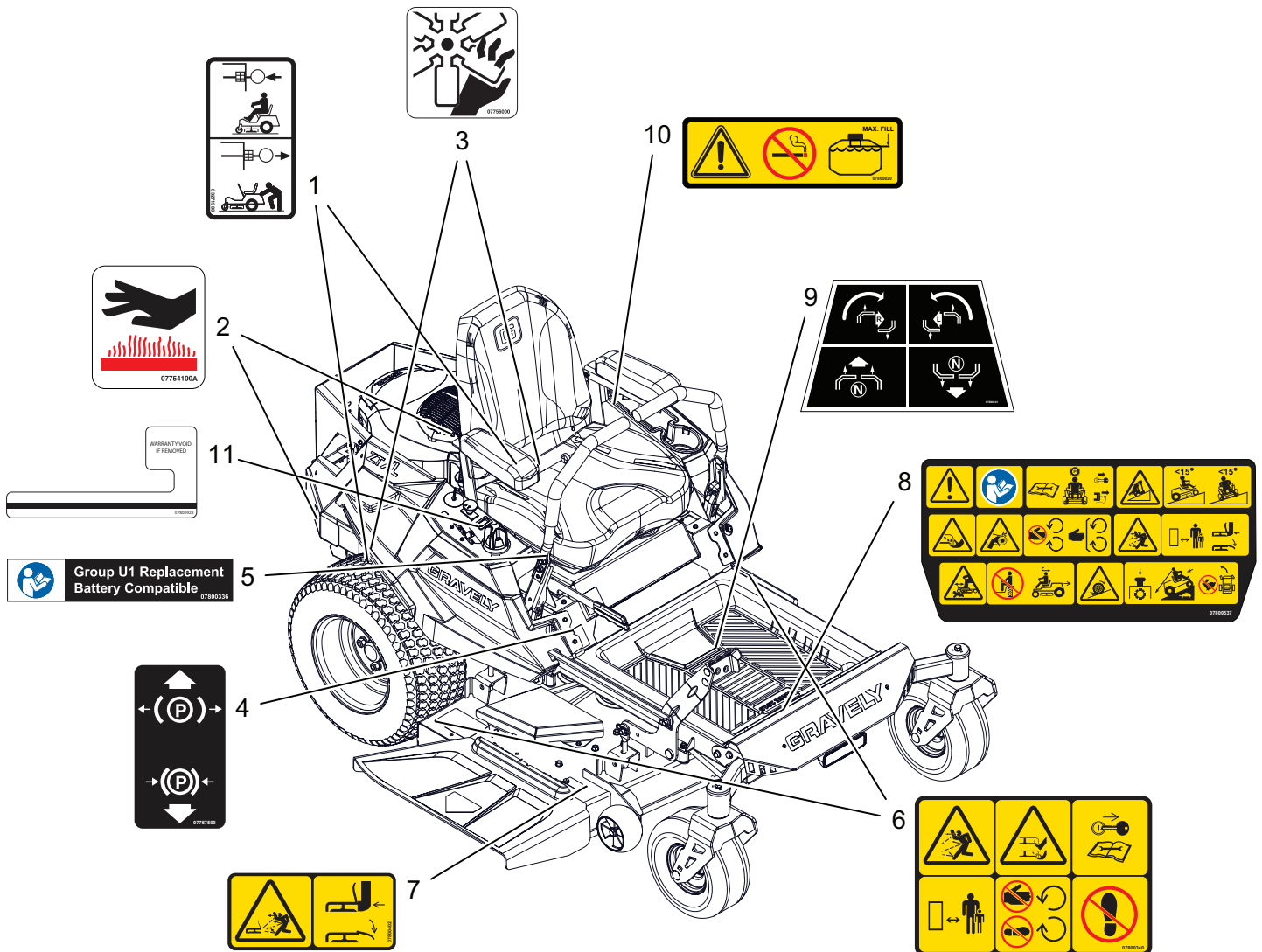
915264 – ZT XL 60
(SN 060000 +)

TABLE OF CONTENTS

Decals – Safety	3	Controls	26
Decals – Style – 42"	4	Parking Brake.....	27
Decals – Style – 48"	5	Deck Lift	28
Decals – Style – 52"	6	Height of Cut	29
Decals – Style – 60"	7	Deck Mount.....	30
Frame	8	Deck, Belt, Blades and Spindles – 42"	31
Engine – Kohler Twin 25 Pro W/SC	9	Deck, Belt, Blades and Spindles – 48"	32
Engine – Kawasaki FR691 23HP	10	Deck, Belt, Blades and Spindles – 52"	33
Engine – Kawasaki FR651V 21.5HP	11	Deck, Belt, Blades and Spindles – 60"	34
Engine – Kawasaki FR730 24HP	12	Idlers and Sheaves – 42"	35
Seat	13	Idlers and Sheaves – 48"	36
Engine Wrap and Fenders.....	14	Idlers and Sheaves – 52"	37
Fuel System – Kohler	15	Idlers and Sheaves – 60"	38
Fuel System – Kawasaki	16	Anti-Scalp Wheels – 42"	39
Control Panel – Kohler	17	Anti-Scalp Wheels – 48"	40
Control Panel – Kawasaki	18	Anti-Scalp Wheels – 52"	41
Electrical	19	Anti-Scalp Wheels – 60"	42
Wiring Diagram.....	20	Belt Covers – 42"	43
Front Caster Wheels.....	21	Belt Covers – 48"	44
Rear Tires and Transaxles – 42"	22	Belt Covers and Baffle – 52"	45
Rear Tires and Transaxles – 48" and 52"	23	Belt Covers and Baffle – 60"	46
Rear Tires and Transaxles – 60"	24	Discharge Chute	47
Transaxle Drive	25		

DECALS – SAFETY

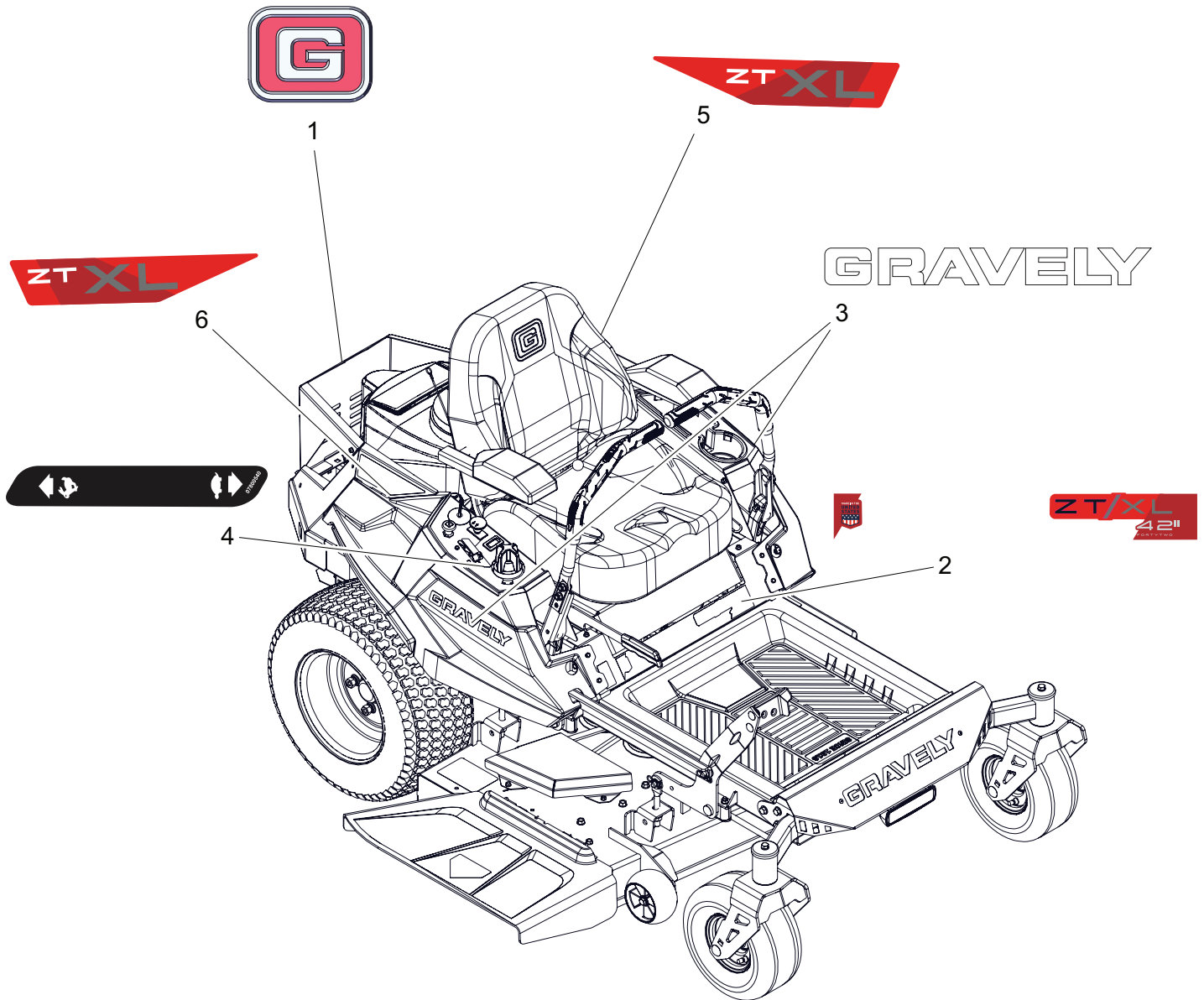
Model All



BOM ID	Number	Qty	Description
1	03271900	2	DECAL, TRANSMISSION DISCONNECT
2	07754100	2	DECAL, HOT SURFACE
3	07756000	2	DECAL, DANGER - FAN
4	07757500	1	DECAL, PARKING BRAKE LEVER
5	07800336	1	DECAL, INSTRUCTION - U1 REPLACEMENT BATTERY
6	07800340	2	DECAL, SAFETY - MOWER DECK
7	07800402	1	DECAL, SAFETY - DECK GUARDING
8	07800537	1	DECAL, SAFETY - IKON ZTX
9	07800541	1	DECAL, INSTRUCTION - STEERING
10	07800820	1	DECAL, FUEL WARNING
11	07800928	1	DECAL, HOURMETER - SECURITY

DECALS – STYLE – 42"

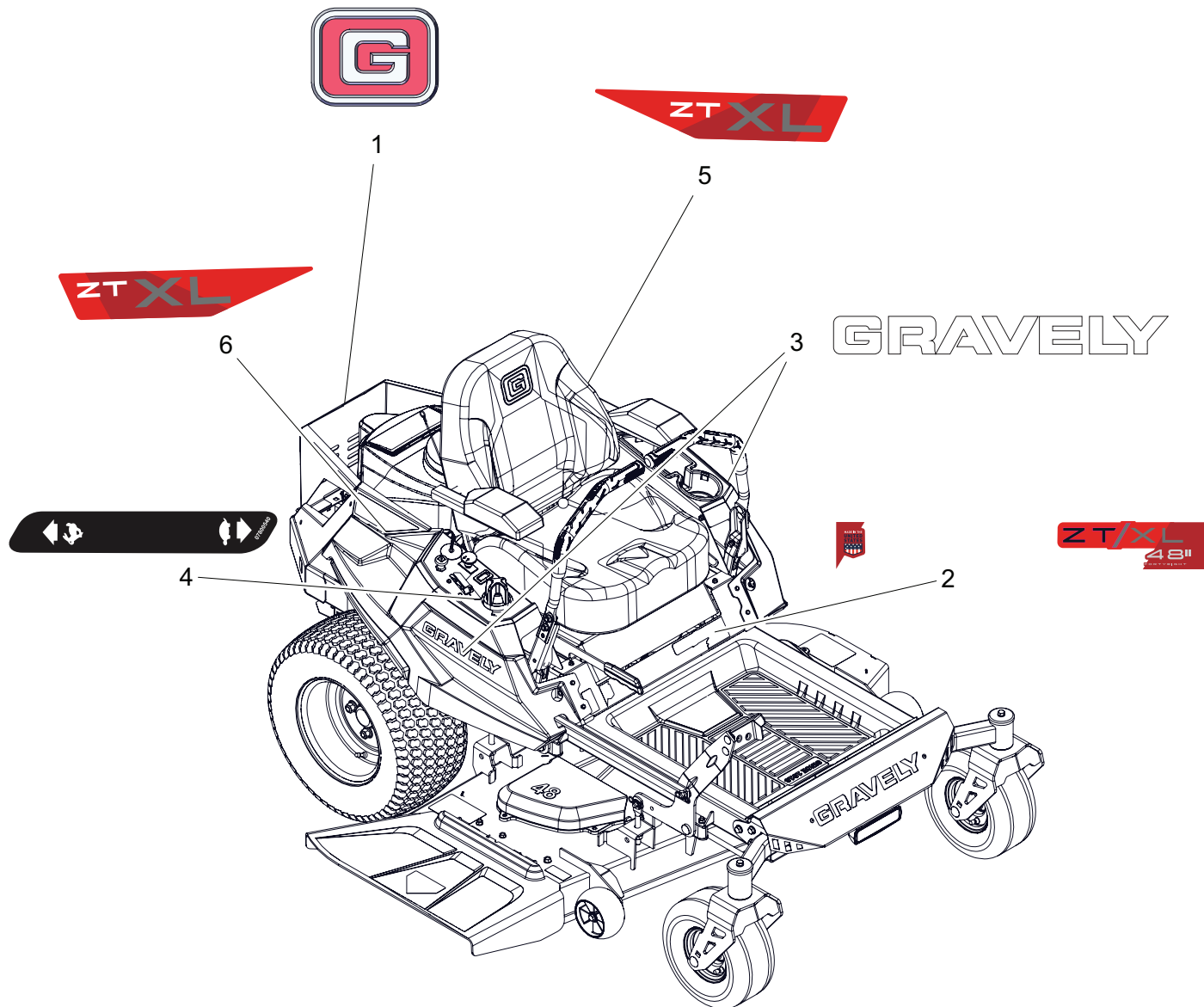
Model 915262



BOM ID	Number	Qty	Description
1	07800534	1	DECAL, GRAVELY BRAND
2	07801328	1	DECAL, ZTXL - 42
3	07800618	2	DECAL, 9.5" GRAVELY LOGO
4	07800540	1	DECAL, DASH
5	07801425	1	DECAL, FENDER - ZTXL LEFT
6	07801426	1	DECAL, FENDER - ZTXL RIGHT

DECALS – STYLE – 48"

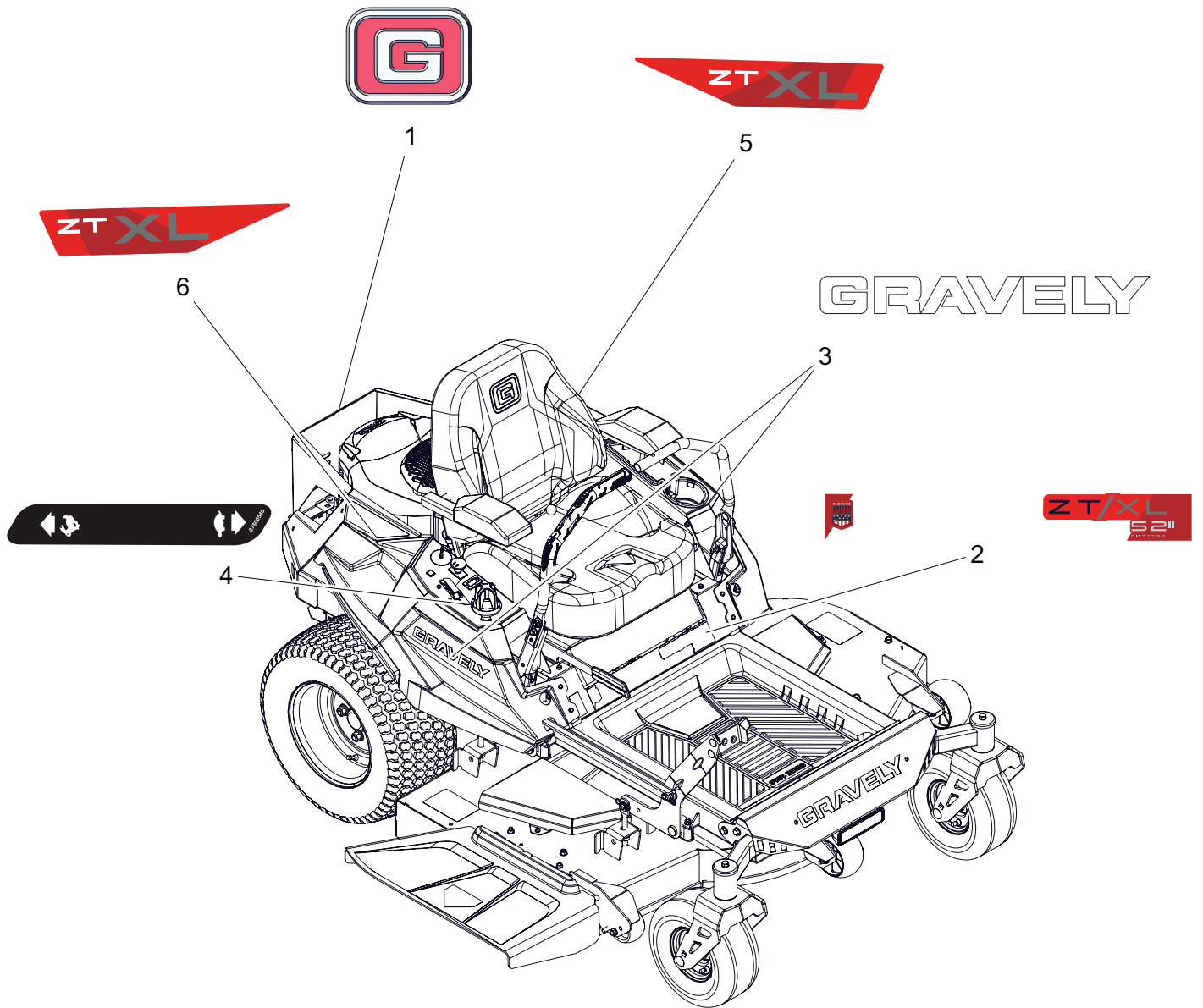
Model 915261



BOM ID	Number	Qty	Description
1	07800534	1	DECAL, GRAVELY BRAND
2	07801329	1	DECAL, ZTXL - 48
3	07800618	2	DECAL, 9.5" GRAVELY LOGO
4	07800540	1	DECAL, DASH
5	07801425	1	DECAL, FENDER - ZTXL LEFT
6	07801426	1	DECAL, FENDER - ZTXL RIGHT

DECALS – STYLE – 52"

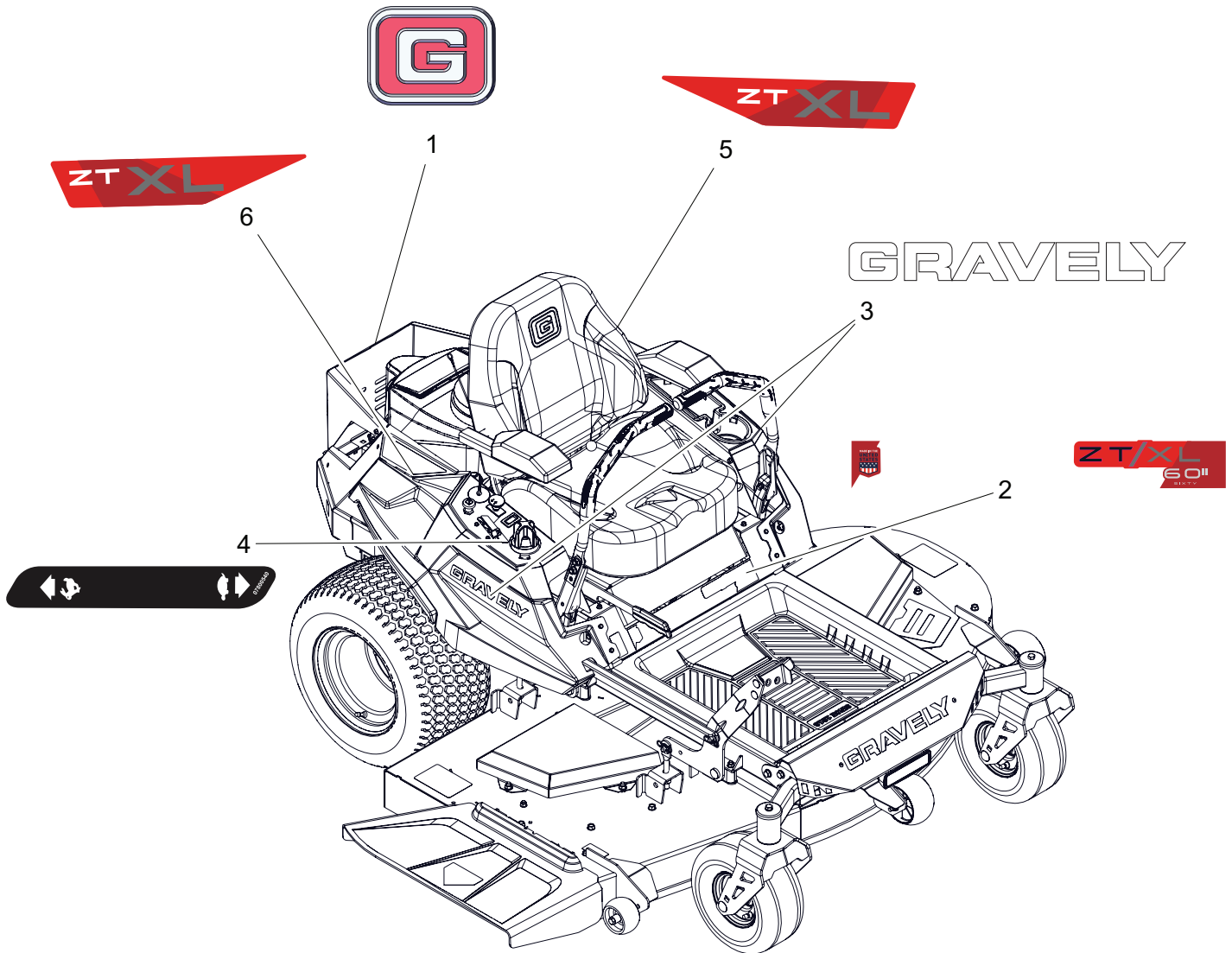
Model 915258, 263



BOM ID	Number	Qty	Description
1	07800534	1	DECAL, GRAVELY BRAND
2	07801330	1	DECAL, ZTXL - 52
3	07800618	2	DECAL, 9.5" GRAVELY LOGO
4	07800540	1	DECAL, DASH
5	07801425	1	DECAL, FENDER - ZTXL LEFT
6	07801426	1	DECAL, FENDER - ZTXL RIGHT

DECALS – STYLE – 60"

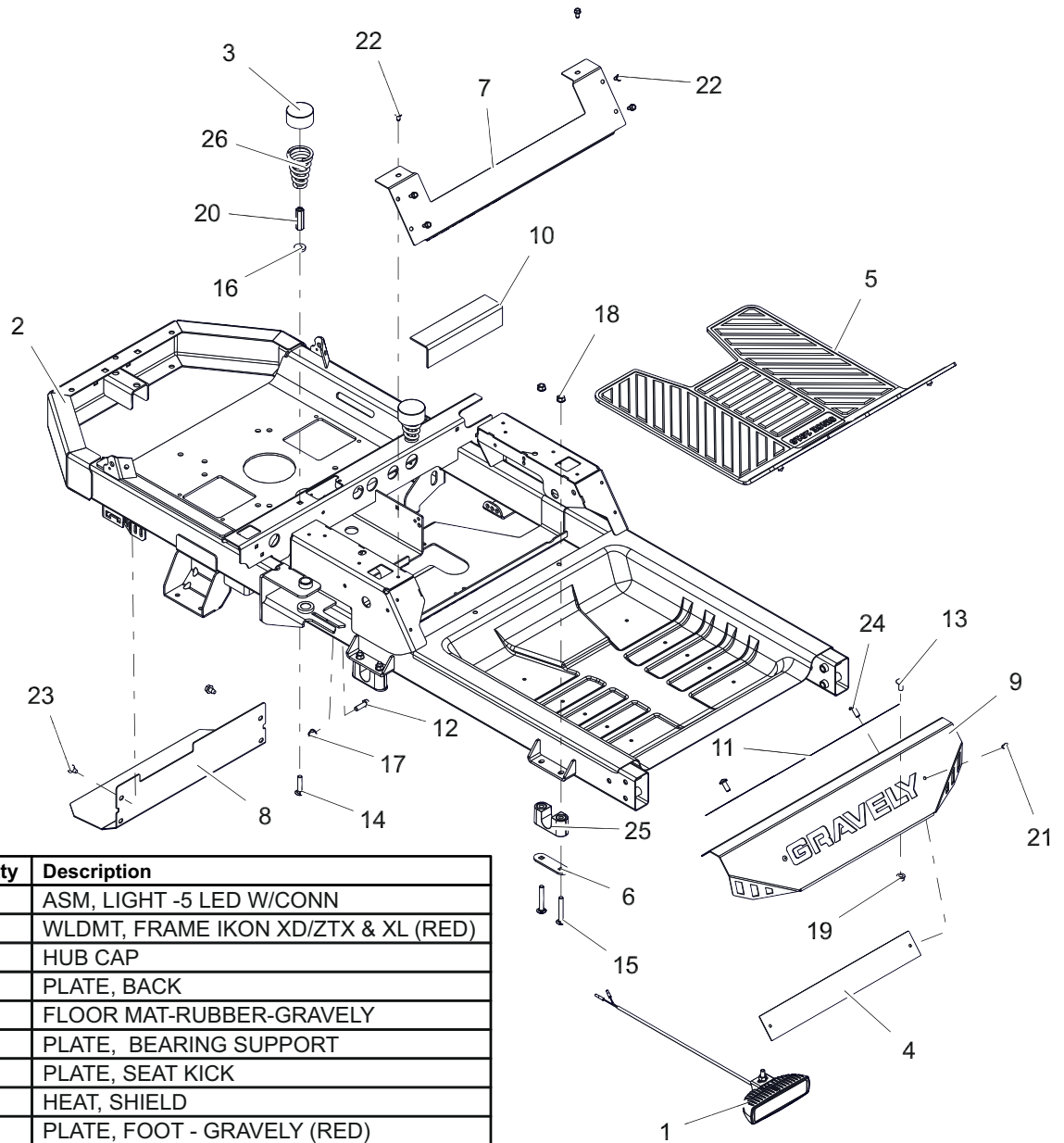
Model 915264



BOM ID	Number	Qty	Description
1	07800534	1	DECAL, GRAVELY BRAND
2	07801331	1	DECAL, ZTXL - 60
3	07800618	2	DECAL, 9.5" GRAVELY LOGO
4	07800540	1	DECAL, DASH
5	07801425	1	DECAL, FENDER - ZTXL LEFT
6	07801426	1	DECAL, FENDER - ZTXL RIGHT

FRAME

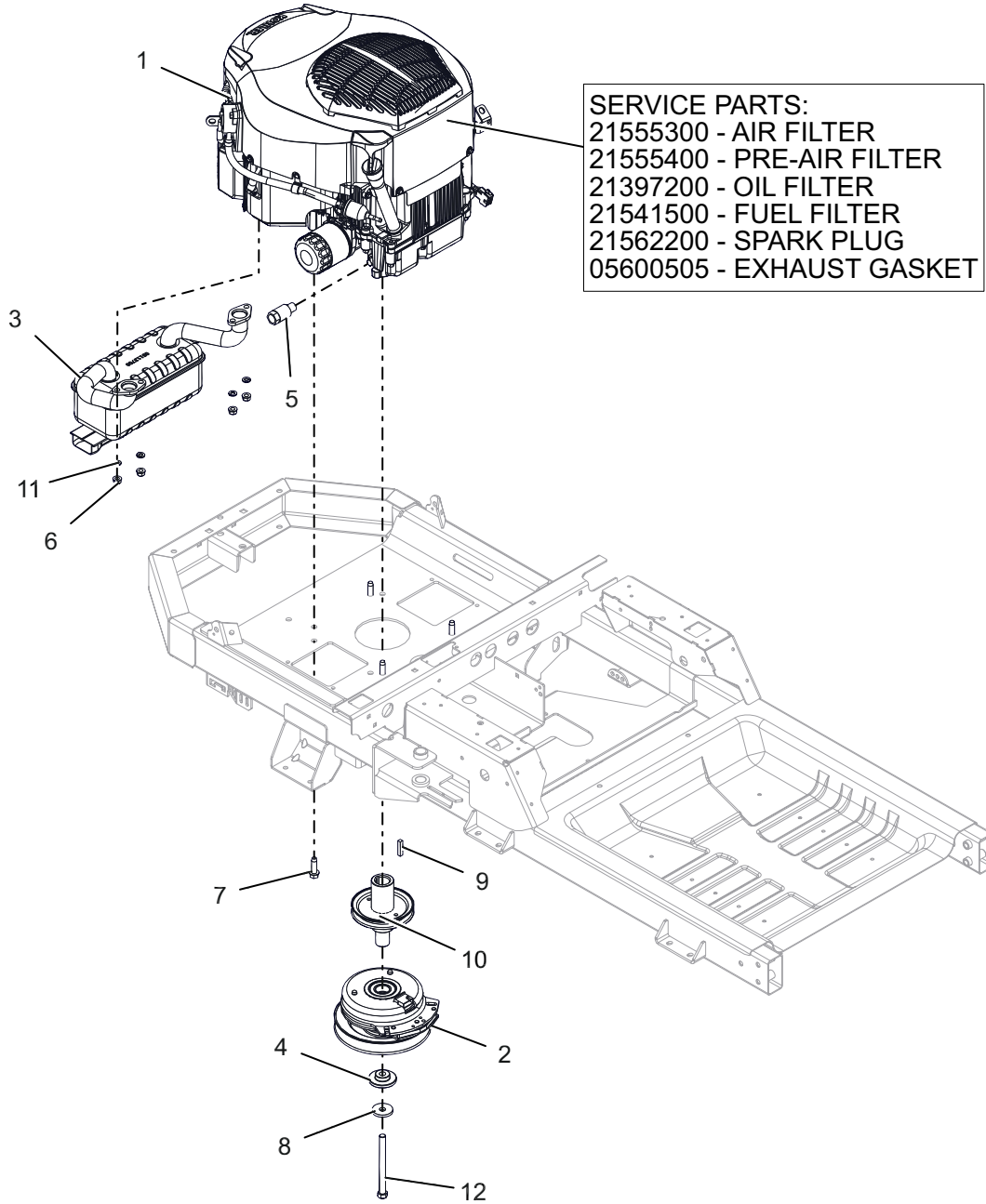
Model All



BOM ID	Number	Qty	Description
1	04821100	1	ASM, LIGHT -5 LED W/CONN
2	51535100	1	WLDMT, FRAME IKON XD/ZTX & XL (RED)
3	00337700	2	HUB CAP
4	04718451	1	PLATE, BACK
5	04751400	1	FLOOR MAT-RUBBER-GRAVELLY
6	04766551	4	PLATE, BEARING SUPPORT
7	04772353	1	PLATE, SEAT KICK
8	04807951	1	HEAT, SHIELD
9	04819453	1	PLATE, FOOT - GRAVELLY (RED)
10	04864600	1	PAD, RBR -TANK
11	05112300	1	GRIP, FOOT PLATE
12	05901701	1	BLT, HEX 0.3125-18X1 GR5 ZC120
13	06200232	2	BTL,RHSN .313-18 X 0.75 G5 ZCC
14	06200233	2	BTL,RHSN .313-18 X 1.5 G5 ZCC
15	06200311	8	BTL,RHSSN .313-18 X 2.25 G5 ZCC
16	06401103	2	WSHR-FL-STL 0.328X0.87X0.179 ZCC
17	06500809	1	NUT, LK-NYL-FLG .31-18 GR5 ZC120
18	06500840	8	NUT, FLG-CTR LK .312-18 GR5 ZCC
19	06500904	2	NUT, FLG-TOP LK .312-18 GR5 ZCC
20	06500927	2	NUT, COUPLER 5/16-18 x 1.75
21	06800107	2	RVT-POP .187x.375 (#66) BLACK
22	07400122	6	SCR-TAP .25-20X.50 HWH ZCC
23	07400124	2	SCR-TAP .312-18X.50 HWH ZCC
24	07400134	2	SCR-RDHDSKTAP .31-18X.75
25	07500327	4	BSHG, DECK
26	08300021	2	SPRG, COMPRESSION

ENGINE – KOHLER TWIN 25 PRO W/SC

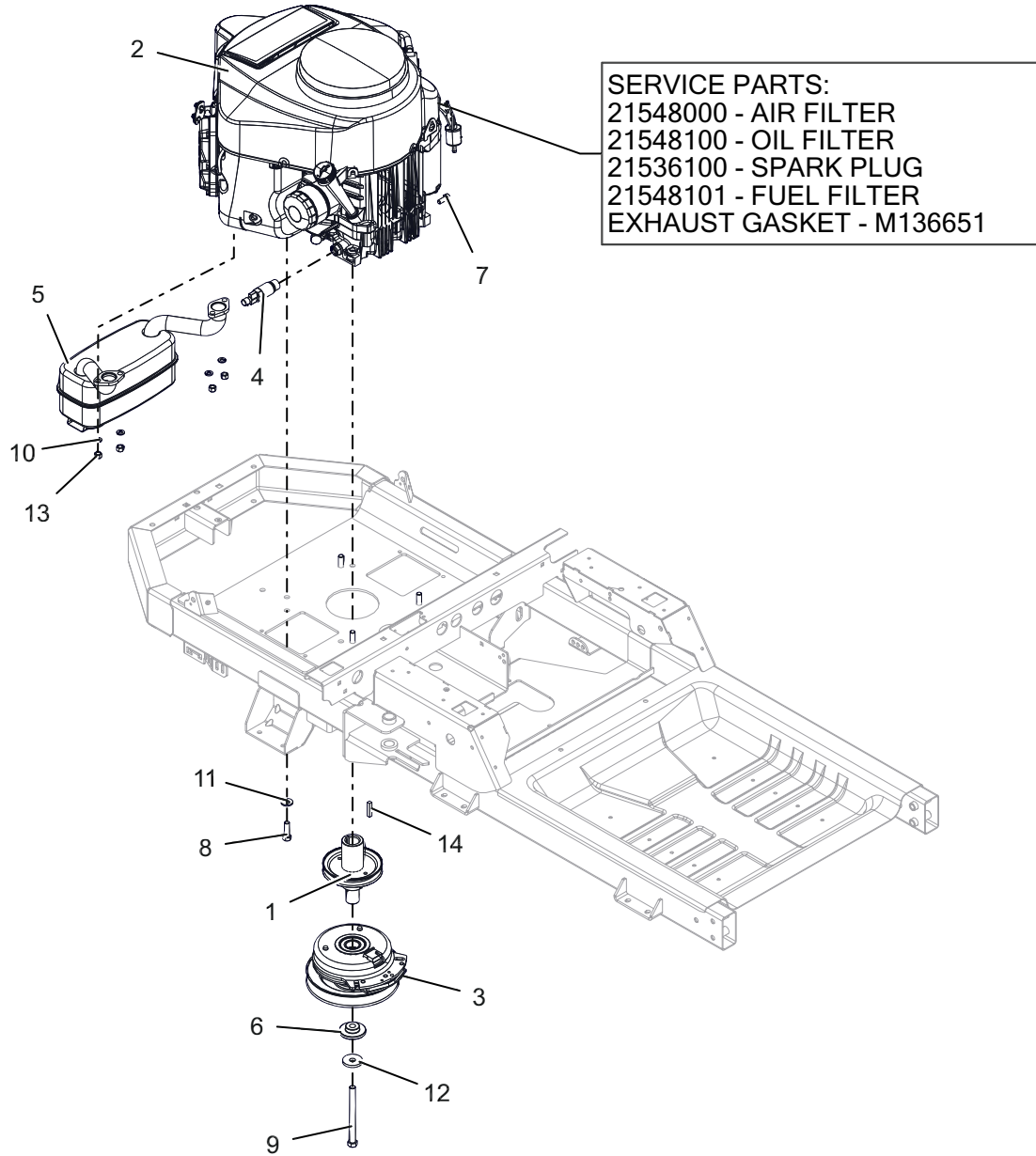
Model 915258



BOM ID	Number	Qty	Description
1	08201203	1	ENGINE, KOHLER TWIN 25 PRO W/SC
2	04678300	1	CLUTCH, ELEC 105 FT LB MONOPOLE 6.83"
3	05113700	1	MUFFLER, KOHLER
4	05501206	1	BSHG, -FLG .469 x 1.06 x .574 x 2.0
5	03943600	1	DRAIN, OIL
6	06500904	4	NUT, FLG-TOP LK .312-18 GR5 ZCC
7	07400128	4	SCR-TAP .38-16X1.25 HWH ZCC
8	06400936	1	WSHR, 7/16" SPRING DISC
9	06603400	1	KEY-SQ .250X.250X1.250
10	07345000	1	WLDMT, DRIVE SHEAVE (LONG)
11	06300119	4	WSHR,LK-REG 0.314 X 0.078 ZCC
12	05901823	1	BLT, HEX 0.4375-20X5 G8 ZCC NT

ENGINE – KAWASAKI FR691 23HP

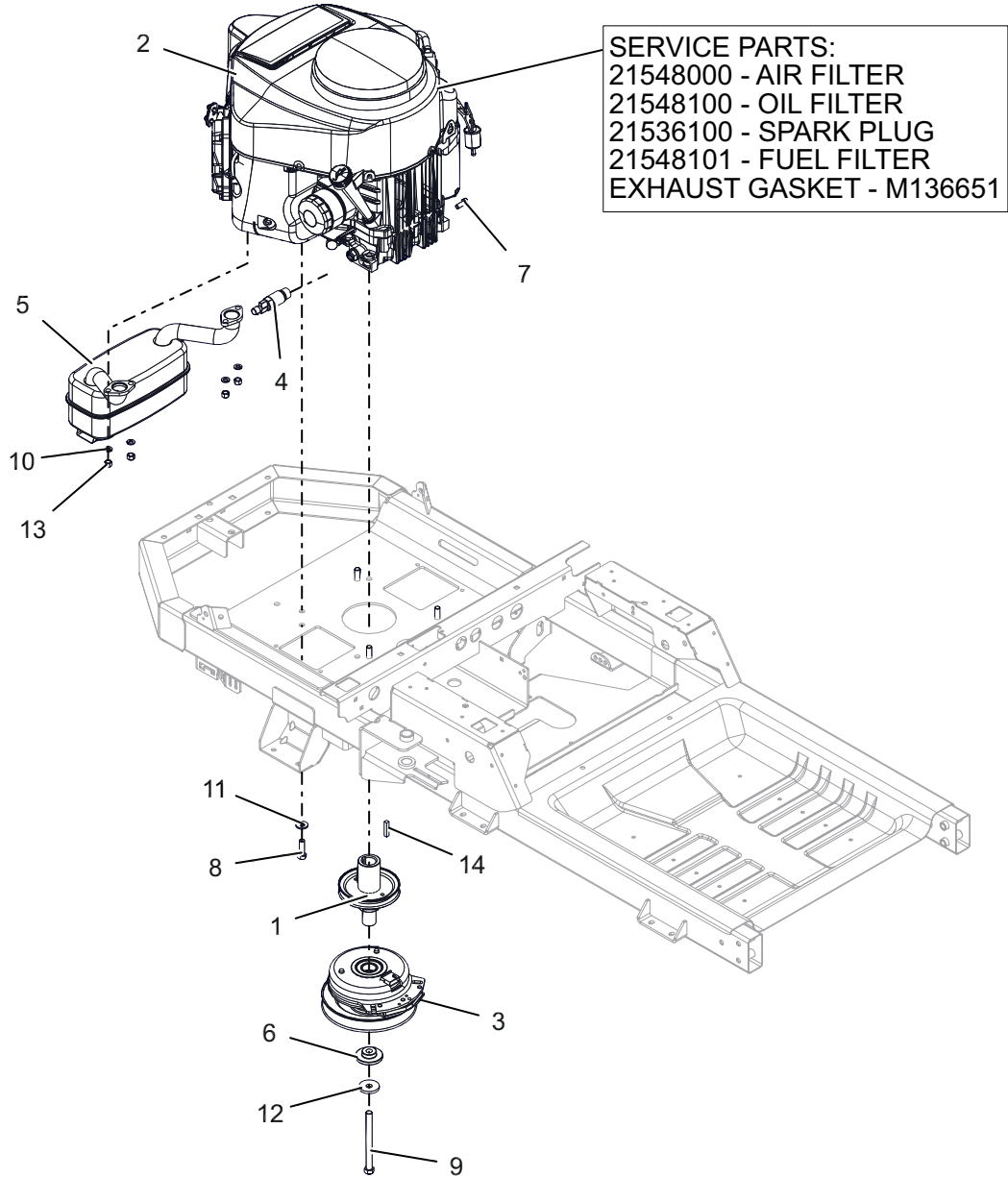
Model 915261, 263



BOM ID	Number	Qty	Description
1	07345000	1	WLDMT, DRIVE SHEAVE (LONG)
2	08201128	1	ENGINE, KAWASAKI
3	04678300	1	CLUTCH, ELEC 105 FT LB MONOPOLE 6.83"
4	04977100	1	VALVE, DRAIN -M20X2.5
5	05088300	1	MUFFLER, KAWASAKI
6	05501206	1	BSHG, -FLG .469 x 1.06 x .574 x 2.0
7	05901628	1	BLT,HEX M8-1.25X20 G8.8 ZC120
8	05901808	4	BLT, HEX 0.375-16X1.25 GR5 ZCC NT
9	05901823	1	BLT, HEX 0.4375-20X5 G8 ZCC NT
10	06300119	4	WSHR,LK-REG 0.314 X 0.078 ZCC
11	06400927	4	WSHR, 3/8" SPRING DISC
12	06400936	1	WSHR, 7/16" SPRING DISC
13	06500724	4	NUT, HEX M8-1.25 GR8.8 ZC120
14	06603400	1	KEY-SQ .250X.250X1.250

ENGINE – KAWASAKI FR651V 21.5HP

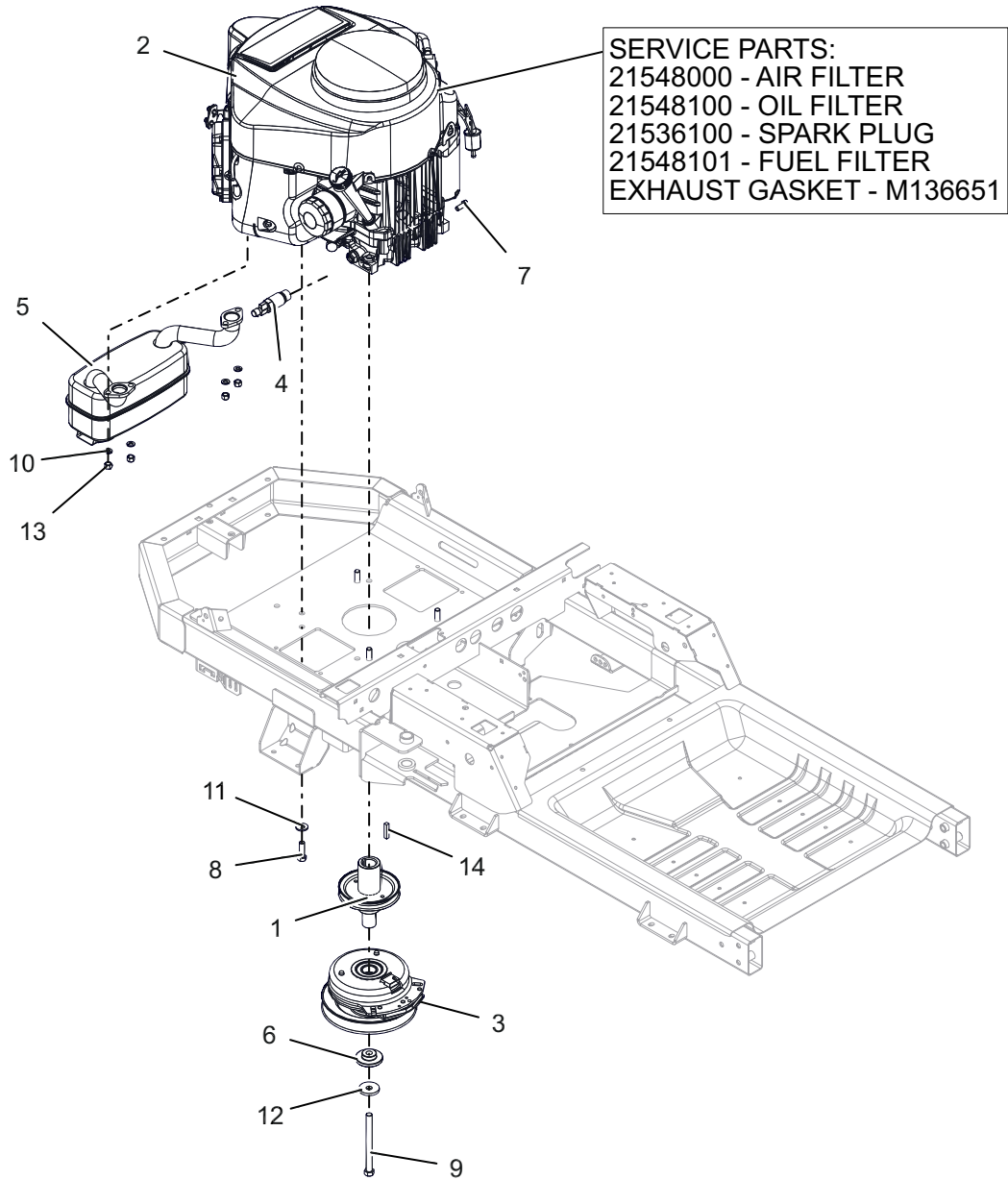
Models 915262



BOM ID	Number	Qty	Description
1	07345000	1	WLDMT, DRIVE SHEAVE (LONG)
2	08201127	1	ENGINE, KAWASAKI
3	04678300	1	CLUTCH, ELEC 105 FT LB MONOPOLE 6.83"
4	04977100	1	VALVE, DRAIN -M20X2.5
5	05088300	1	MUFFLER, KAWASAKI
6	05501206	1	BSHG, -FLG .469 x 1.06 x .574 x 2.0
7	05901628	1	BLT,HEX M8-1.25X20 G8.8 ZC120
8	05901808	4	BLT, HEX 0.375-16X1.25 GR5 ZCC NT
9	05901823	1	BLT, HEX 0.4375-20X5 G8 ZCC NT
10	06300119	4	WSHR,LK-REG 0.314 X 0.078 ZCC
11	06400927	4	WSHR, 3/8" SPRING DISC
12	06400936	1	WSHR, 7/16" SPRING DISC
13	06500724	4	NUT, HEX M8-1.25 GR8.8 ZC120
14	06603400	1	KEY-SQ .250X.250X1.250

ENGINE – KAWASAKI FR730 24HP

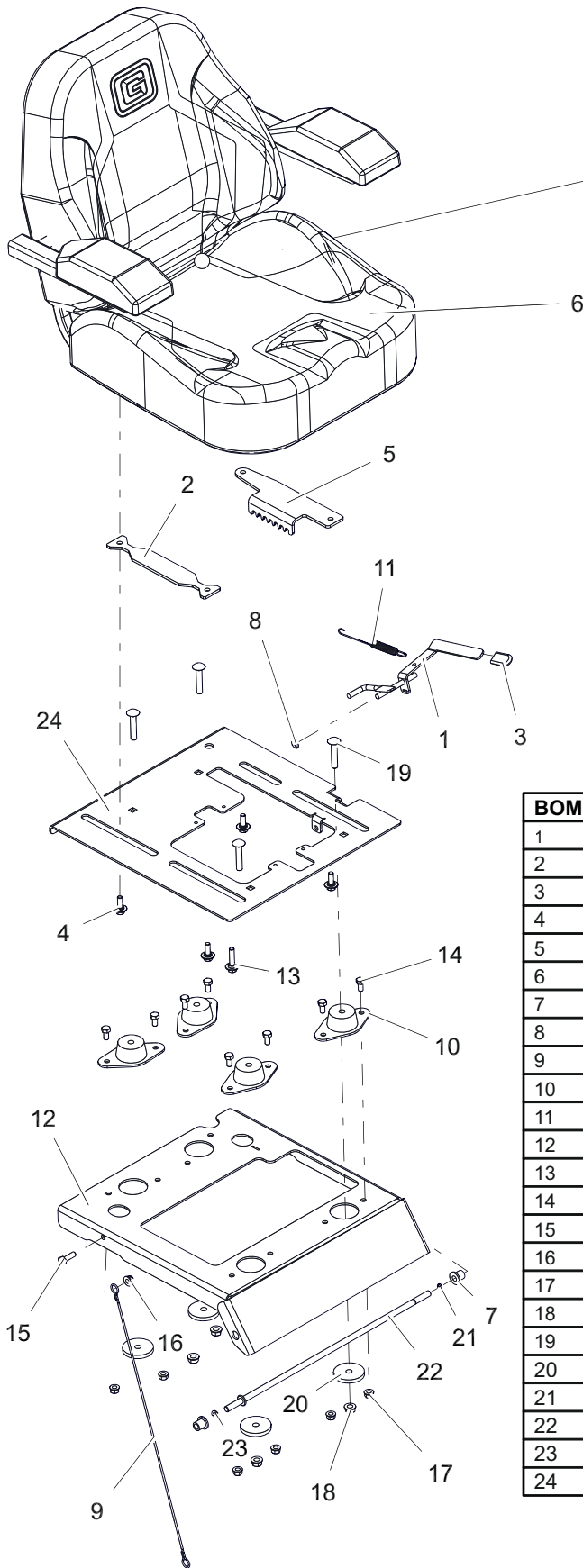
Model 915264



BOM ID	Number	Qty	Description
1	07345000	1	WLDMT, DRIVE SHEAVE (LONG)
2	08201129	1	ENGINE, KAWASAKI FR730 24HP
3	04678300	1	CLUTCH, ELEC 105 FT LB MONOPOLE 6.83"
4	04977100	1	VALVE, DRAIN -M20X2.5
5	05088300	1	MUFFLER, KAWASAKI
6	05501206	1	BSHG, -FLG .469 x 1.06 x .574 x 2.0
7	05901628	1	BLT,HEX M8-1.25X20 G8.8 ZC120
8	05901808	4	BLT, HEX 0.375-16X1.25 GR5 ZCC NT
9	05901823	1	BLT, HEX 0.4375-20X5 G8 ZCC NT
10	06300119	4	WSHR,LK-REG 0.314 X 0.078 ZCC
11	06400927	4	WSHR, 3/8" SPRING DISC
12	06400936	1	WSHR, 7/16" SPRING DISC
13	06500724	4	NUT, HEX M8-1.25 GR8.8 ZC120
14	06603400	1	KEY-SQ .250X.250X1.250

SEAT

Models All

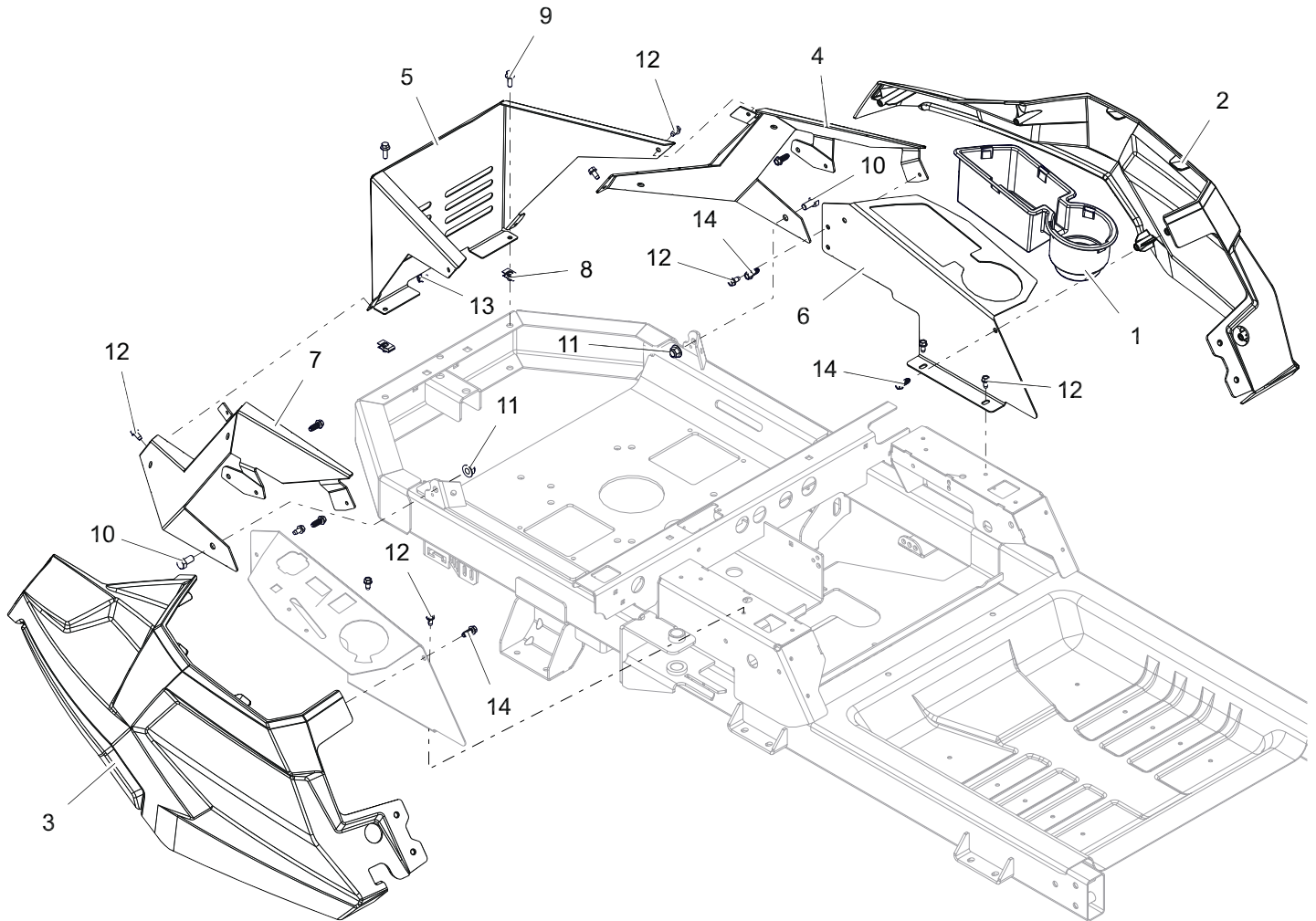


SERVICE PARTS:
 21574900 - SET, RH & LH ARMREST
 21576206 - COVER, BACK
 21576207- COVER, BOTTOM
 03654200- SWITCH

BOM ID	Number	Qty	Description
1	05015251	1	WLDMT, ADJUSTABLE SEAT LATCH
2	09484351	1	PLATE, ADJUSTABLE SEAT TRACK (BLACK)
3	04396600	1	GRIP, SEAT LEVER
4	07001930	4	BLT, SHLDR .31-18 X .100
5	09429651	1	PLATE, SEAT ADJUSTMENT - XL (BLACK)
6	05193300	1	SEAT, ZTXL
7	05501231	2	BUSHING FLANGED .380 X .580 X .667 X .875
8	06514900	1	NUT, PUSH .312
9	06900623	1	CABLE, WIRE (LANYARD)-.093X19.5
10	07500237	4	MOUNT, FAIL-SAFE COMPRESSION
11	08300022	1	SPRG, EXTENSION
12	09158153	1	PLATE, SEAT (RED)
13	07001929	1	BLT, SHLDR .31-18 X .175
14	05901832	8	BLT, HEX 0.3125-18X0.625 GR5 ZCC
15	05901701	1	BLT, HEX 0.3125-18X1 GR5 ZC120
16	06500809	1	NUT, LK-NYL-FLG .31-18 GR5 ZC120
17	06500	8	NUT, FLG-CTR LK .3
18	06500901	2	NUT, FLG-CTR LK .375-16 GR5 ZC120
19	06200323	4	BTL,RHSSN .375-16 X 2 G5 ZCC
20	06401212	4	WSHR-FL-STL 0.406X2X0.25 ZCC
21	05700125	1	RING, RETAINING-E .25X.025
22	09448000	1	ROD, SEAT PIVOT
23	05710600	1	RING, RETAINING-E .375X.035
24	09485153	1	PLATE, SEAT MOUNTING (RED)

ENGINE WRAP AND FENDERS

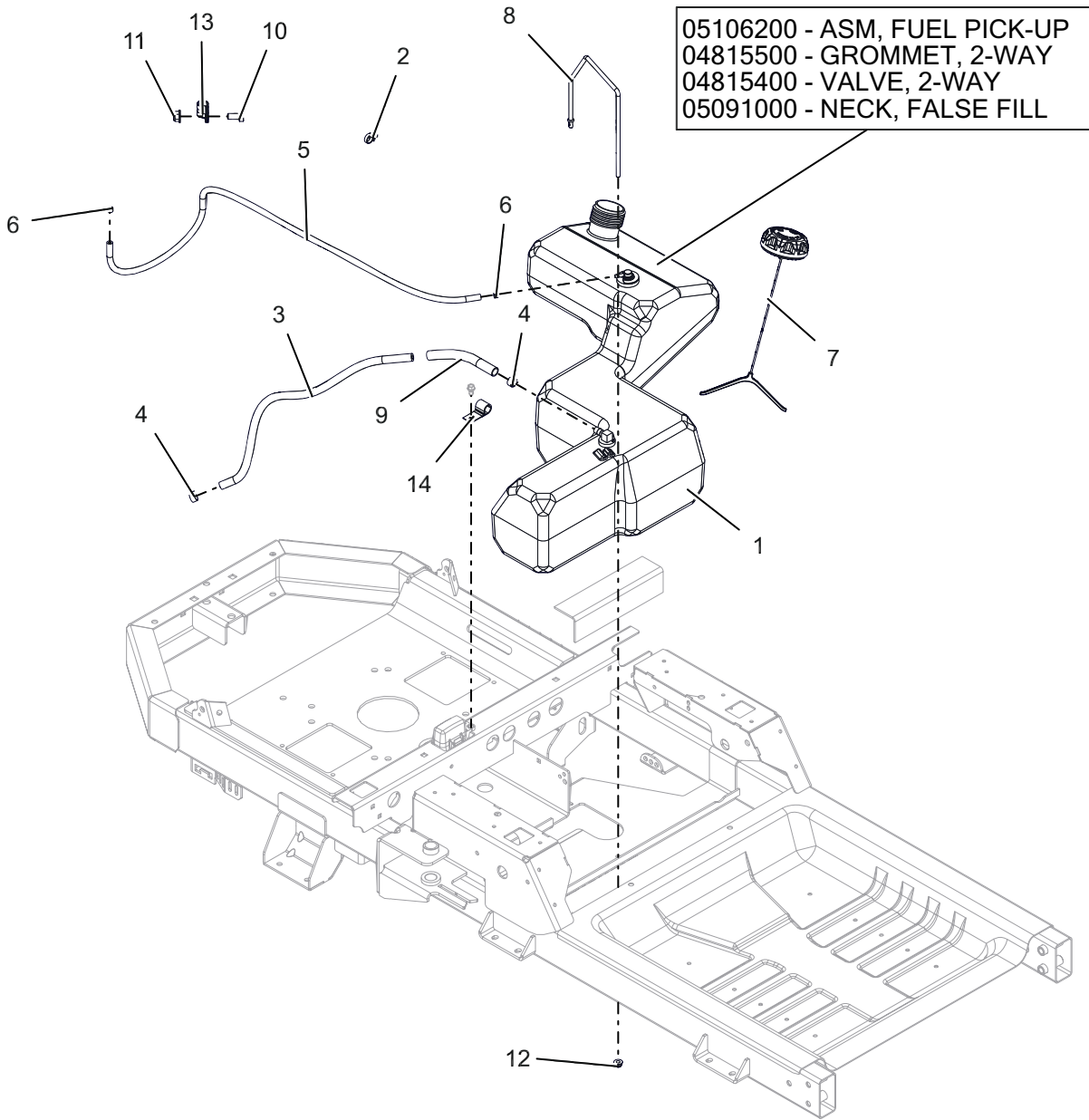
Model All



BOM ID	Number	Qty	Description
1	05091800	1	INSERT, CUP/STORAGE HOLDER
2	05292400	1	FENDER, LH
3	05292500	1	FENDER, RH
4	05299153	1	WRAP, REAR - LH (RED)
5	05299251	1	WRAP, REAR (BLACK)
6	05299353	1	PANEL, CUP HOLDER (RED)
7	05299553	1	WRAP, REAR - RH (RED)
8	07009000	2	NUT, RTNR .25-20 X .56
9	05901731	2	BLT, HEX-FLG 0.25-20X0.75 GR5 ZB500
10	05901702	2	BLT, HEX 0.375-16X0.75 GR5 ZC120
11	06500726	2	NUT, LK-NYL-FLG .38-16 GR5 ZC120
12	07400122	9	SCR-TAP .25-20X.50 HWH ZCC
13	07400125	1	SCR-TAP .25-20X.38 HWH ZCC
14	07400119	6	SCR-HEX .312-14X.75 H/L

FUEL SYSTEM – KOHLER

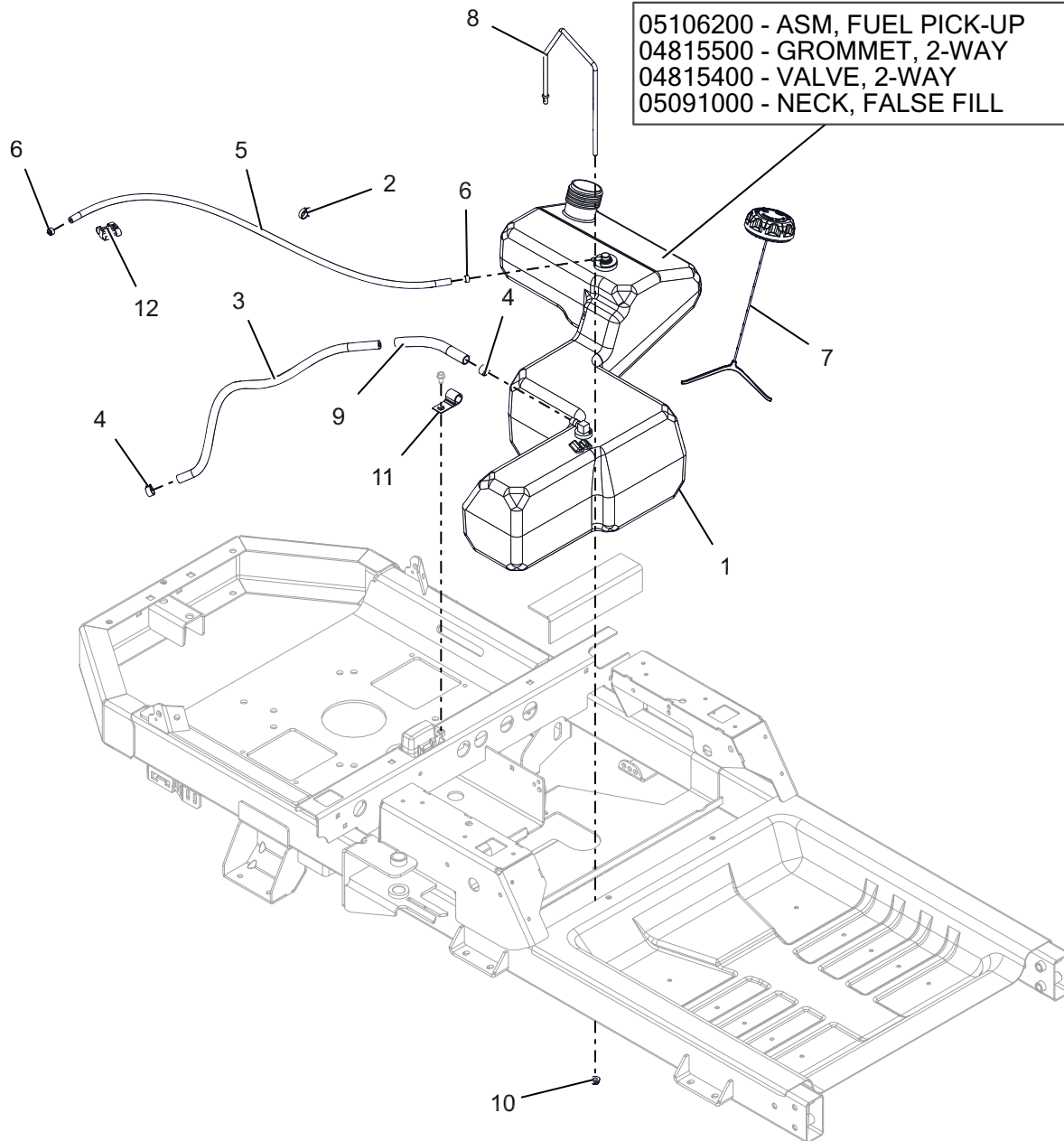
Model 915258



BOM ID	Number	Qty	Description
1	09167200	1	ASM, FUEL TANK-IKON
2	00367900	1	CLIP, ROUTING (.50 ID)
3	03278100	1	.25 LOW PERM FUEL X 18.0 LG - FUEL PICK-UP TO ENGINE
4	03278800	2	CLAMP, FUEL LINE
5	03375900	1	HOSE, .188 LOW-PERM GAS-36"LG
6	04097700	2	CLAMP - HOSE, SPRING .188
7	04589200	1	CAP, FUEL VENT-IN 2.25" RATCHET
8	05099867	1	BRKT, FUEL
9	05118500	1	SLEEVE, ANTI ABRASION .5" X .064" WALL
10	05901702	1	BLT, HEX 0.375-16X0.75 GR5 ZC120
11	06500726	1	NUT, LK-NYL-FLG .38-16 GR5 ZC120
12	06500813	1	NUT, LK-NYL-FLG .25-20 GR5 ZC120
13	06908200	1	CLAMP, CUSHIONED STEEL
14	06916000	1	J-CLAMP

FUEL SYSTEM – KAWASAKI

Model 915261, 262, 263, 264

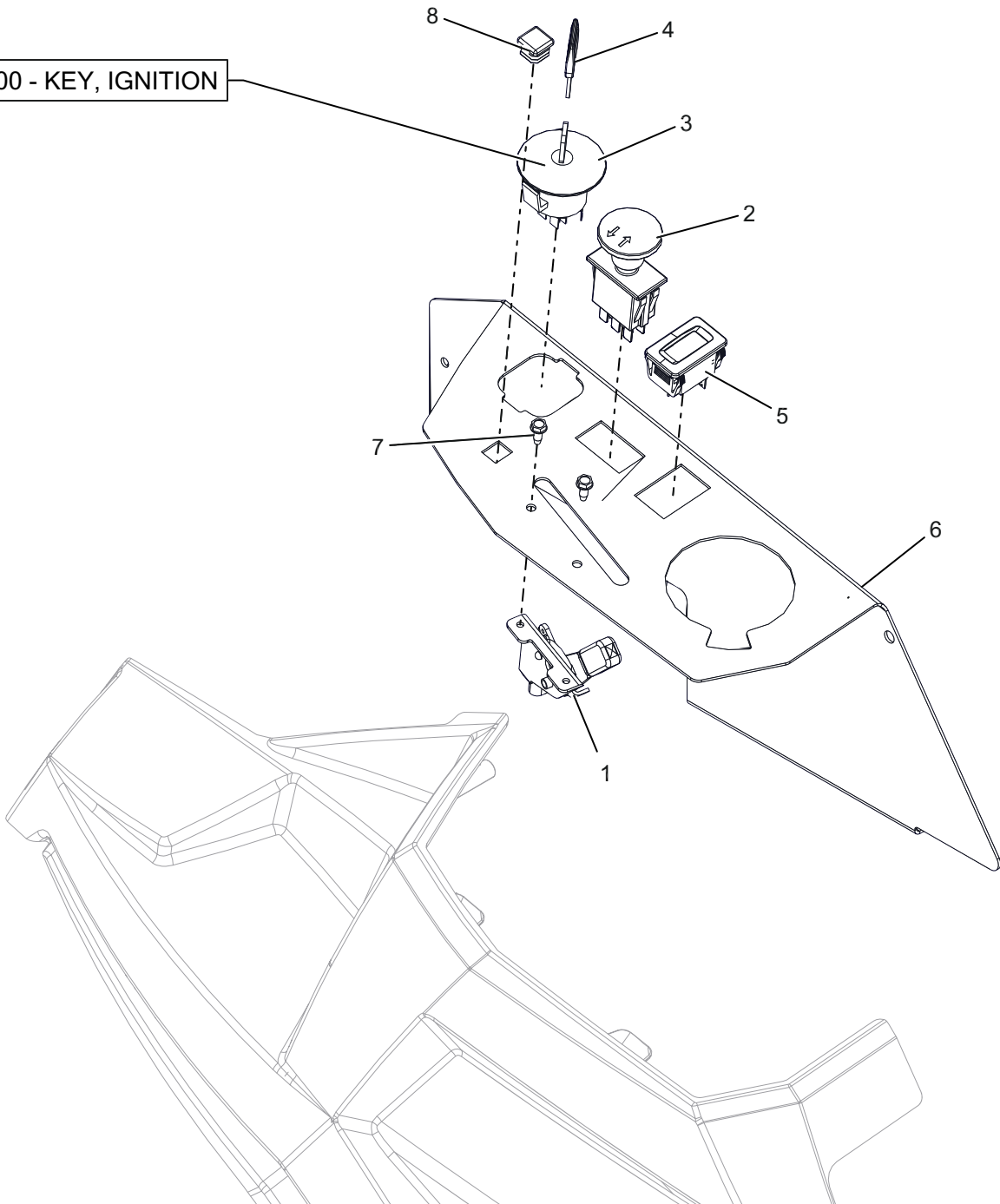


BOM ID	Number	Qty	Description
1	05264800	1	ASM, FUEL TANK-IKON
2	00367900	1	CLIP, ROUTING (.50 ID)
3	03278100	1	.25 LOW PERM FUEL X 18.0 LG - FUEL PICK-UP TO ENGINE
4	03278800	2	CLAMP, FUEL LINE
5	03375900	1	HOSE, .188 LOW-PERM GAS -28"LG
6	04097700	2	CLAMP - HOSE, SPRING .188
7	04589200	1	CAP, FUEL VENT-IN 2.25" RATCHET
8	05099867	1	BRKT, FUEL
9	05118500	1	SLEEVE, ANTI ABRASION .5" X .064" WALL
10	06500813	1	NUT, LK-NYL-FLG .25-20 GR5 ZC120
11	06916000	1	J-CLAMP
12	07001712	1	CLIP, T, .38-.50

CONTROL PANEL – KOHLER

Model 915258

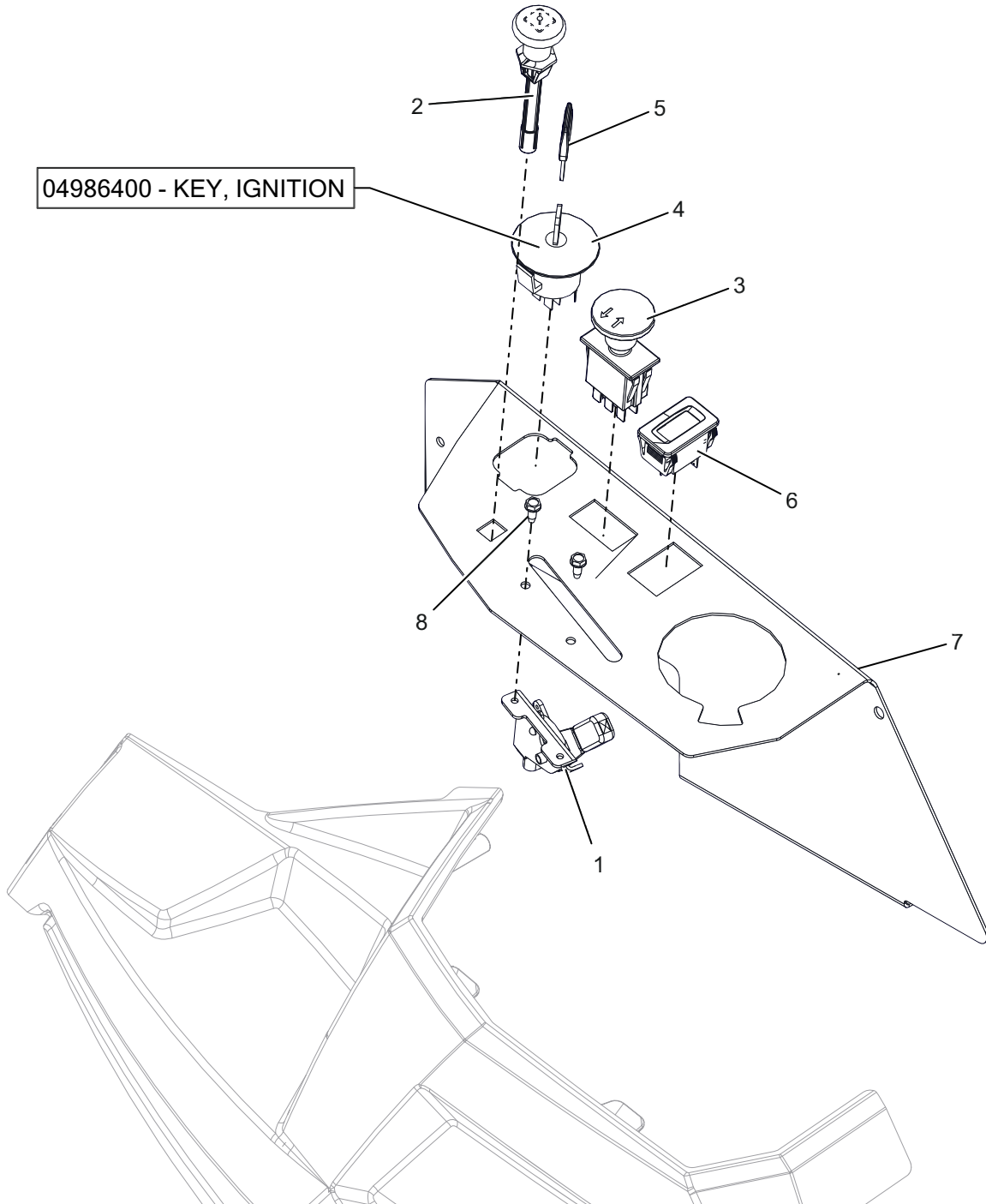
04986400 - KEY, IGNITION



BOM ID	Number	Qty	Description
1	06900620	1	CABLE, THROTTLE 90DEG 33"
2	04399600	1	SWITCH, CLUTCH YELLOW(W/GRAPHIC)
3	04974300	1	SWITCH, IGNITION
4	04986400	1	KEY, IGNITION
5	05254800	1	HOUR METER
6	05299453	1	PANEL, CONTROL (RED)
7	07400130	2	SCR-TAP #10-24X.50 HWH ZCC
8	07500123	1	PLUG, SQ -.625" BLACK (14-20 GA)

CONTROL PANEL – KAWASAKI

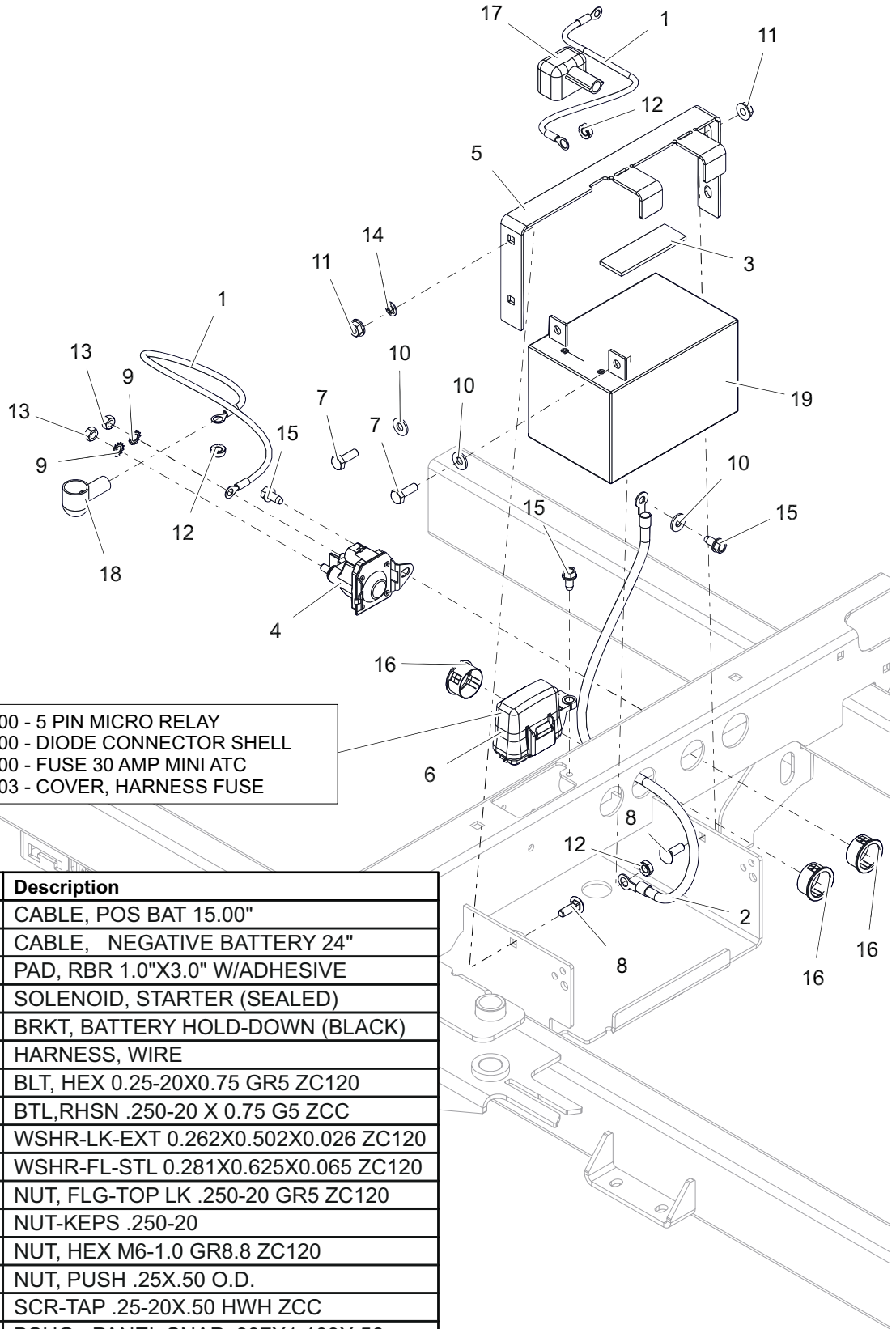
Model 915261, 262, 263, 264



BOM ID	Number	Qty	Description
1	06900620	1	CABLE, THROTTLE 90DEG 33"
2	06900621	1	CABLE, CHOKE
3	04399600	1	SWITCH, CLUTCH YELLOW(W/GRAPHIC)
4	04974300	1	SWITCH, IGNITION
5	04986400	1	KEY, IGNITION
6	05254800	1	HOUR METER
7	05299453	1	PANEL, CONTROL (RED)
8	07400130	2	SCR-TAP #10-24X.50 HWH ZCC

ELECTRICAL

Model All

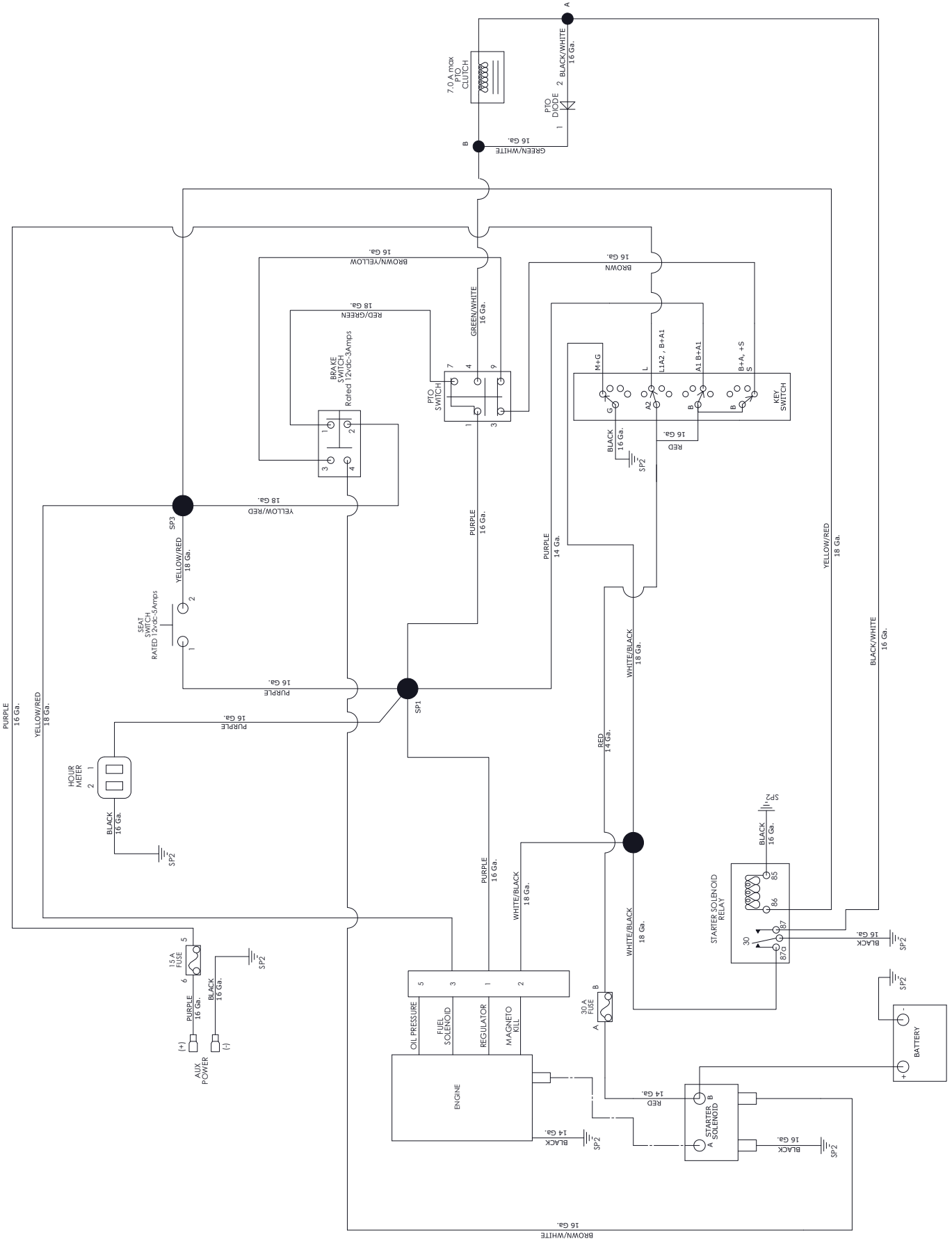


04438400 - 5 PIN MICRO RELAY
 09293500 - DIODE CONNECTOR SHELL
 04504100 - FUSE 30 AMP MINI ATC
 22000203 - COVER, HARNESS FUSE

BOM ID	Number	Qty	Description
1	04787400	2	CABLE, POS BAT 15.00"
2	03288100	1	CABLE, NEGATIVE BATTERY 24"
3	04850000	1	PAD, RBR 1.0"X3.0" W/ADHESIVE
4	05167200	1	SOLENOID, STARTER (SEALED)
5	05266251	1	BRKT, BATTERY HOLD-DOWN (BLACK)
6	05295600	1	HARNESS, WIRE
7	05901716	2	BLT, HEX 0.25-20X0.75 GR5 ZC120
8	06200307	2	BTL,RHSN .250-20 X 0.75 G5 ZCC
9	06300118	2	WSHR-LK-EXT 0.262X0.502X0.026 ZC120
10	06401001	3	WSHR-FL-STL 0.281X0.625X0.065 ZC120
11	06500903	2	NUT, FLG-TOP LK .250-20 GR5 ZC120
12	06500921	3	NUT-KEPS .250-20
13	06500925	2	NUT, HEX M6-1.0 GR8.8 ZC120
14	07027600	1	NUT, PUSH .25X.50 O.D.
15	07400122	3	SCR-TAP .25-20X.50 HWH ZCC
16	07500308	3	BSHG, PANEL SNAP .937X1.109X.56
17	07505700	1	INSULATOR
18	07533200	1	BOOT, EYELET TERMINAL
19	09425500	1	BATTERY, 12V 12A -190CCA

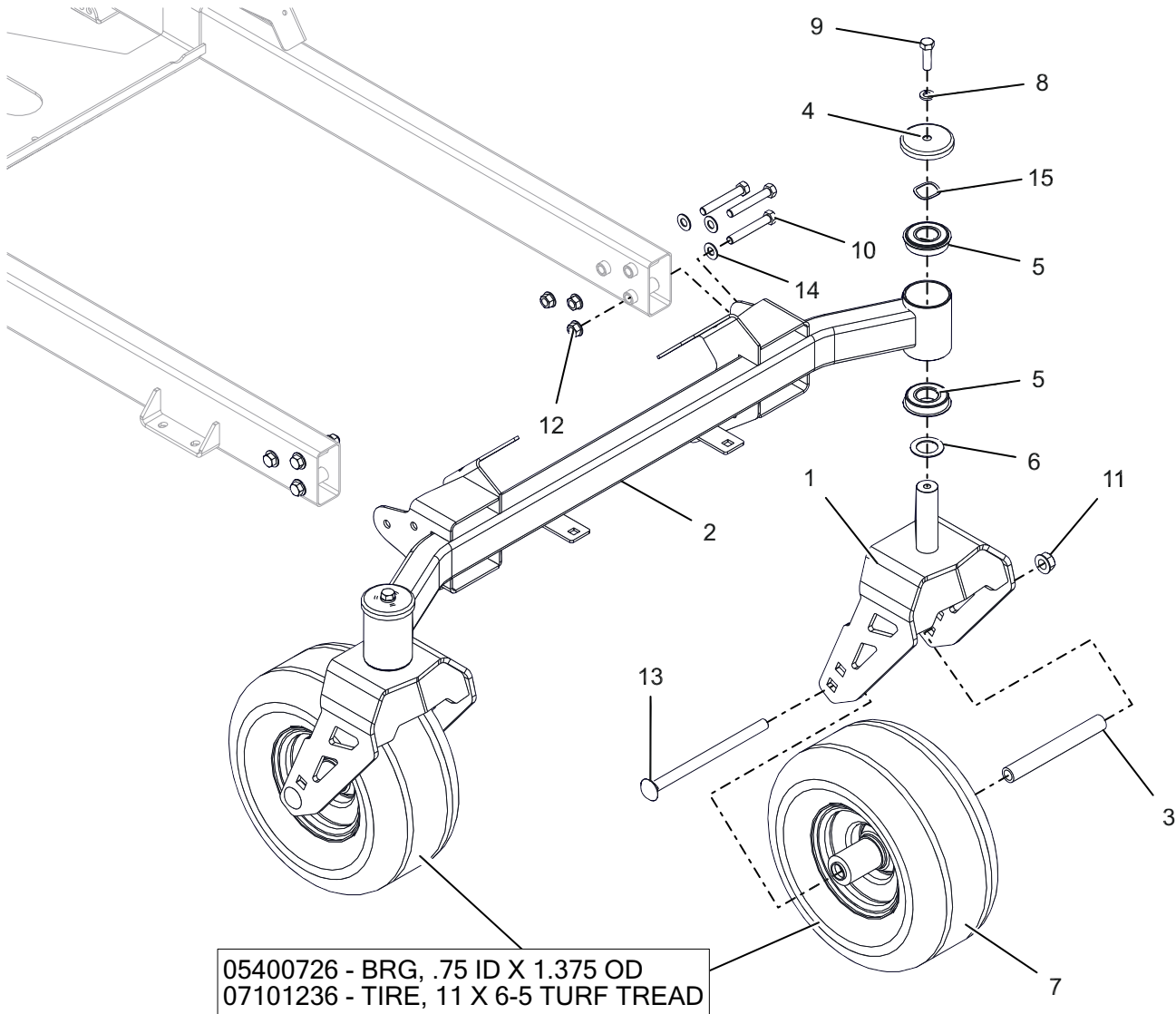
WIRING DIAGRAM

Model All



FRONT CASTER WHEELS

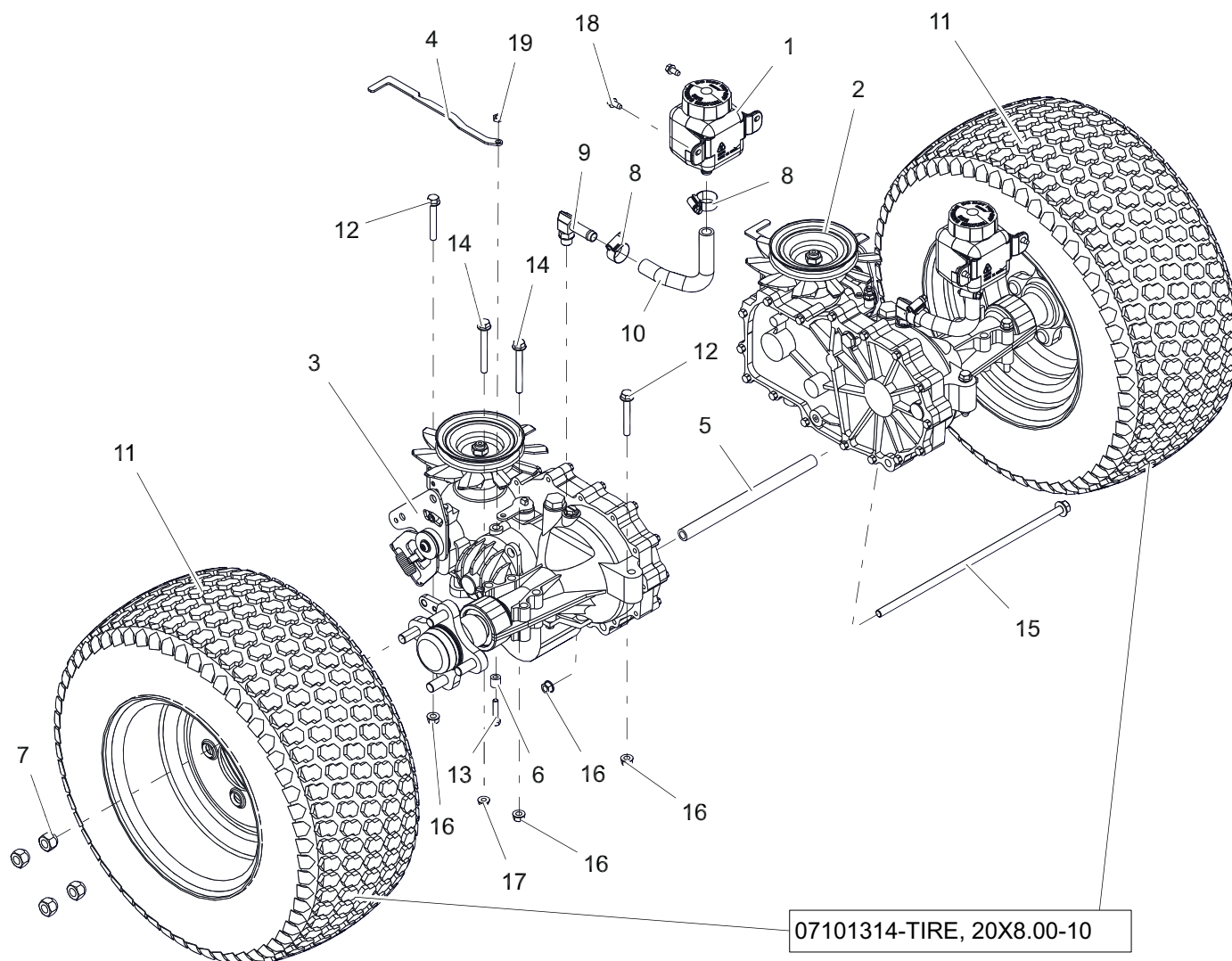
Model All



BOM ID	Number	Qty	Description
1	05186553	2	WLDMT, CASTER FORK-XL (RED)
2	05198153	1	WLDMT, FRONT AXLE-X/XL (RED)
3	00853400	2	SPCR, FRONT WHEEL (WIDE)
4	05198400	2	SHIELD, AXLE BEARING
5	05400728	4	BEARING, BALL -2.000 OD X 1.000 ID X .5625 W/RING
6	06416600	2	WSHR, HRD THRS 1.007X1.542X.062
7	07101336	2	TIRE/WHEEL, 11 X 6-5
8	06300116	2	WSHR,LK-REG 0.377 X 0.094 ZCC
9	05901724	2	BLT, HEX 0.375-16X1.25 GR5 ZC120
10	05901811	6	BLT, HEX 0.375-16X2.5 GR8 ZCC
11	06500907	2	NUT, FLG-TOP LK .500-13 GF ZCC
12	06500905	6	NUT, FLG-TOP LK .375-16 GRG ZC120
13	06200320	2	BTL,RHSN .500-13 X 7.5 G5 ZCC
14	06401129	6	WSHR-FL-STL 0.406X0.812X0.055 HRD
15	06401030	2	WASHER, WAVE

REAR TIRES AND TRANSAXLES – 42"

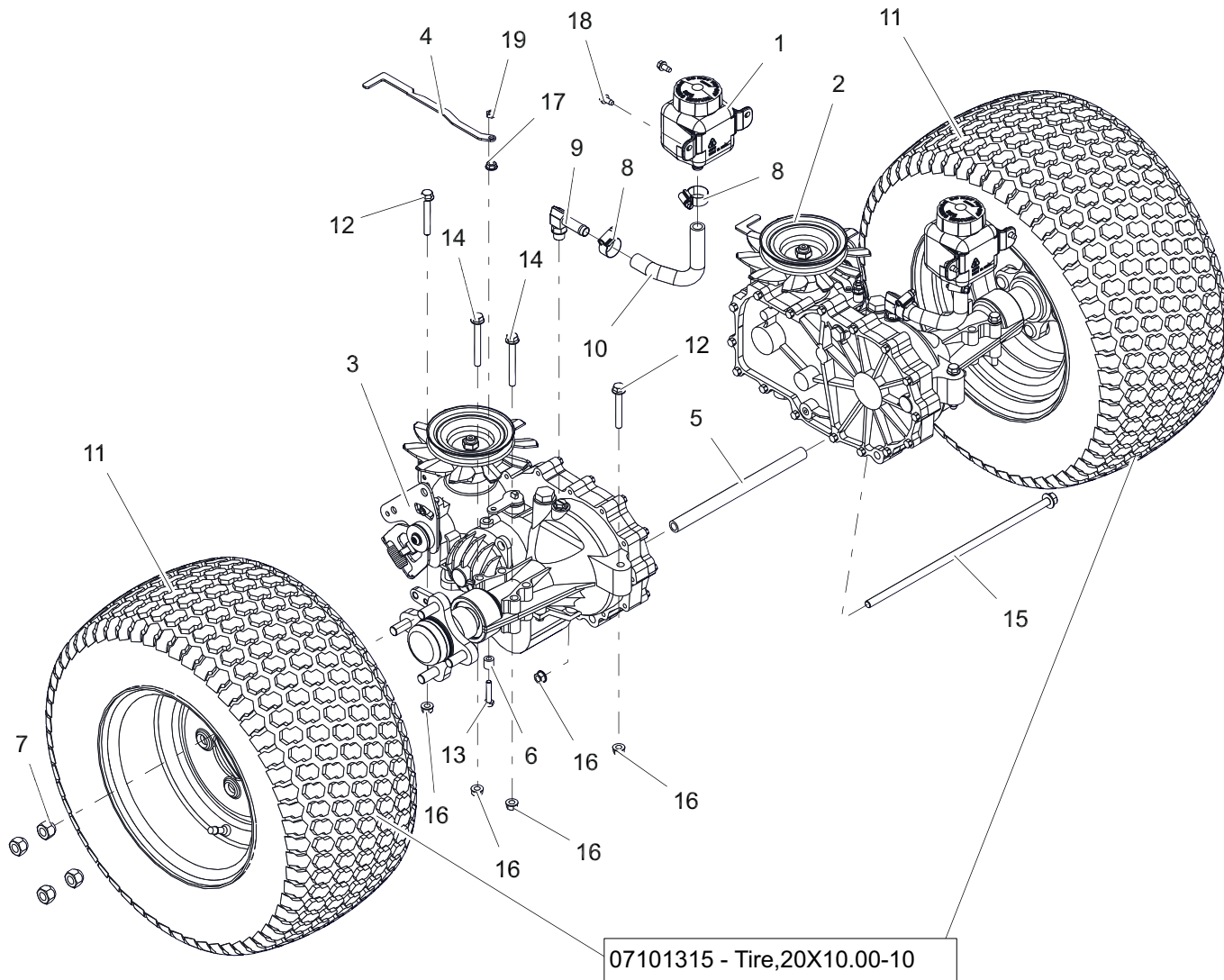
Model 915262



BOM ID	Number	Qty	Description
1	02970200	2	TANK, EXPANSION
2	09160600	1	TRANSAXLE, ZT2800 - LH
3	09160700	1	TRANSAXLE, ZT2800 - RH
4	04884151	2	BRKT, VALVE DUMP
5	05162551	1	SPCR, TRANSAXLE .406 ID X .630 OD X 9.27 (BLACK)
6	05501112	2	SPACER SLEEVED .265X.500X.500
7	06500926	8	NUT, WHEEL .500-20 ZCC
8	06923500	4	CLAMP, HOSE - #8 SAE
9	07001528	2	FITTING, HYD (90 DEG)
10	07001735	2	HOSE,
11	07101421	2	ASSM TIRE/WHEEL, 20 X 8.00 - 10
12	05901910	4	BLT, HEX-FLG 0.312-18X2.25 GR5 ZCC
13	05901738	2	BLT, HEX 0.25-20X1.25 GR5 ZCC
14	05901911	4	BLT, HEX-FLG 0.312-18X2.75 GR5 ZCC
15	05901903	1	BLT, HEX-FLG 0.375-16X13 GR5 ZC120
16	06500840	7	NUT, FLG-CTR LK .312-18 GR5 ZCC
17	06500824	2	NUT, FLG-SPNLK .250-20 GR5 ZC120
18	07400122	4	SCR-TAP .25-20X.50 HWH ZCC
19	06500635	2	NUT-LK-CTR-JAM .25-20 YWZC

REAR TIRES AND TRANSAXLES – 48" AND 52"

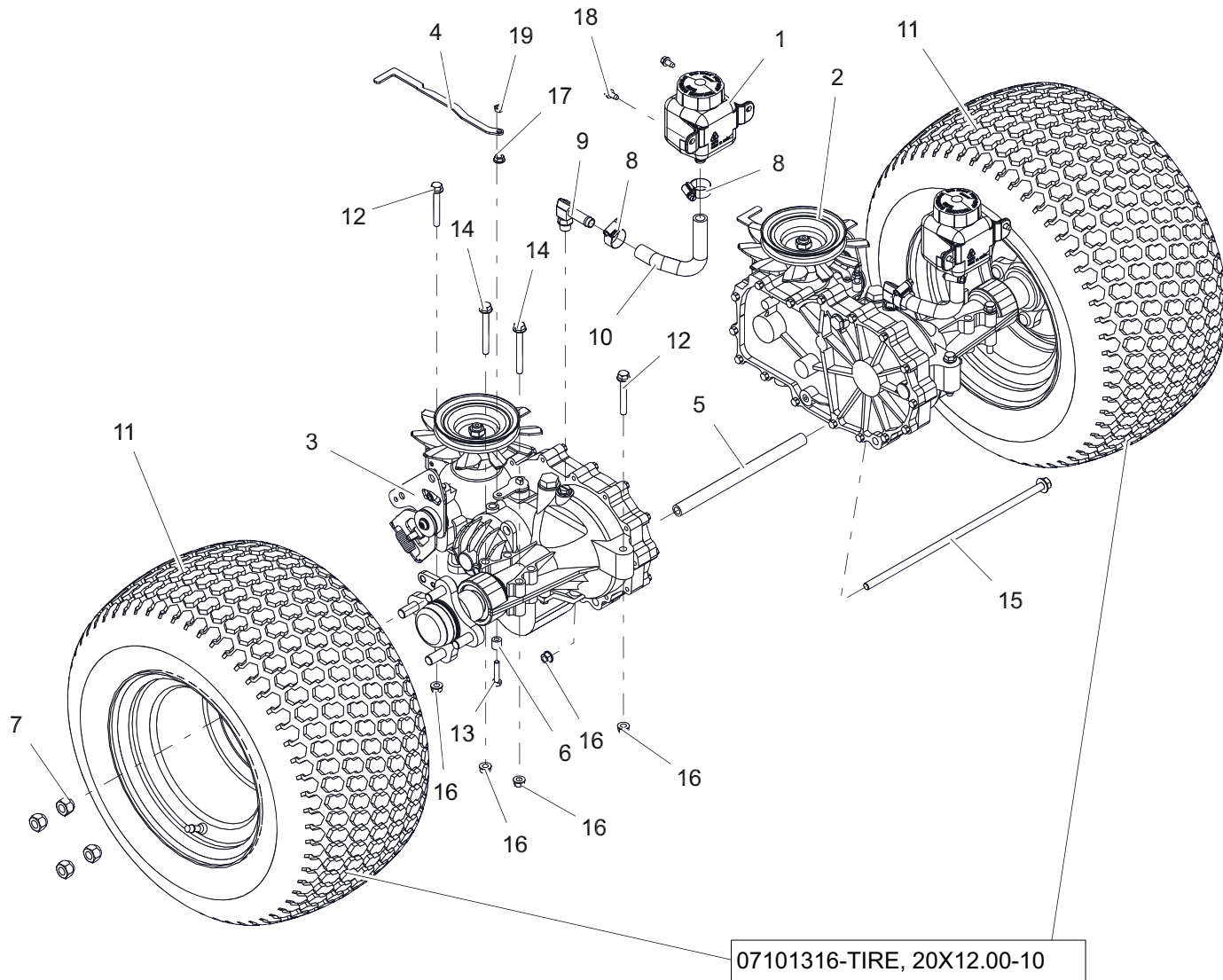
Model 915258, 261, 263



BOM ID	Number	Qty	Description
1	02970200	2	TANK, EXPANSION
2	09160600	1	TRANSAXLE, ZT2800 - LH
3	09160700	1	TRANSAXLE, ZT2800 - RH
4	04884151	2	BRKT, VALVE DUMP
5	05162551	1	SPCR, TRANSAXLE .406 ID X .630 OD X 9.27 (BLACK)
6	05501112	2	SPACER SLEEVED .265X.500X.500
7	06500926	8	NUT, WHEEL .500-20 ZCC
8	06923500	4	CLAMP, HOSE - #8 SAE
9	07001528	2	FITTING, HYD (90 DEG)
10	07001735	2	HOSE,
11	07101420	2	ASSM TIRE/WHEEL,
12	05901910	4	BLT, HEX-FLG 0.312-18X2.25 GR5 ZCC
13	05901738	2	BLT, HEX 0.25-20X1.25 GR5 ZCC
14	05901911	4	BLT, HEX-FLG 0.312-18X2.75 GR5 ZCC
15	05901903	1	BLT, HEX-FLG 0.375-16X13 GR5 ZC120
16	06500840	8	NUT, FLG-CTR LK .312-18 GR5 ZCC
17	06500824	2	NUT, FLG-SPNLK .250-20 GR5 ZC120
18	07400122	4	SCR-TAP .25-20X.50 HWH ZCC
19	06500635	2	NUT-LK-CTR-JAM .25-20 YWZC

REAR TIRES AND TRANSAXLES – 60"

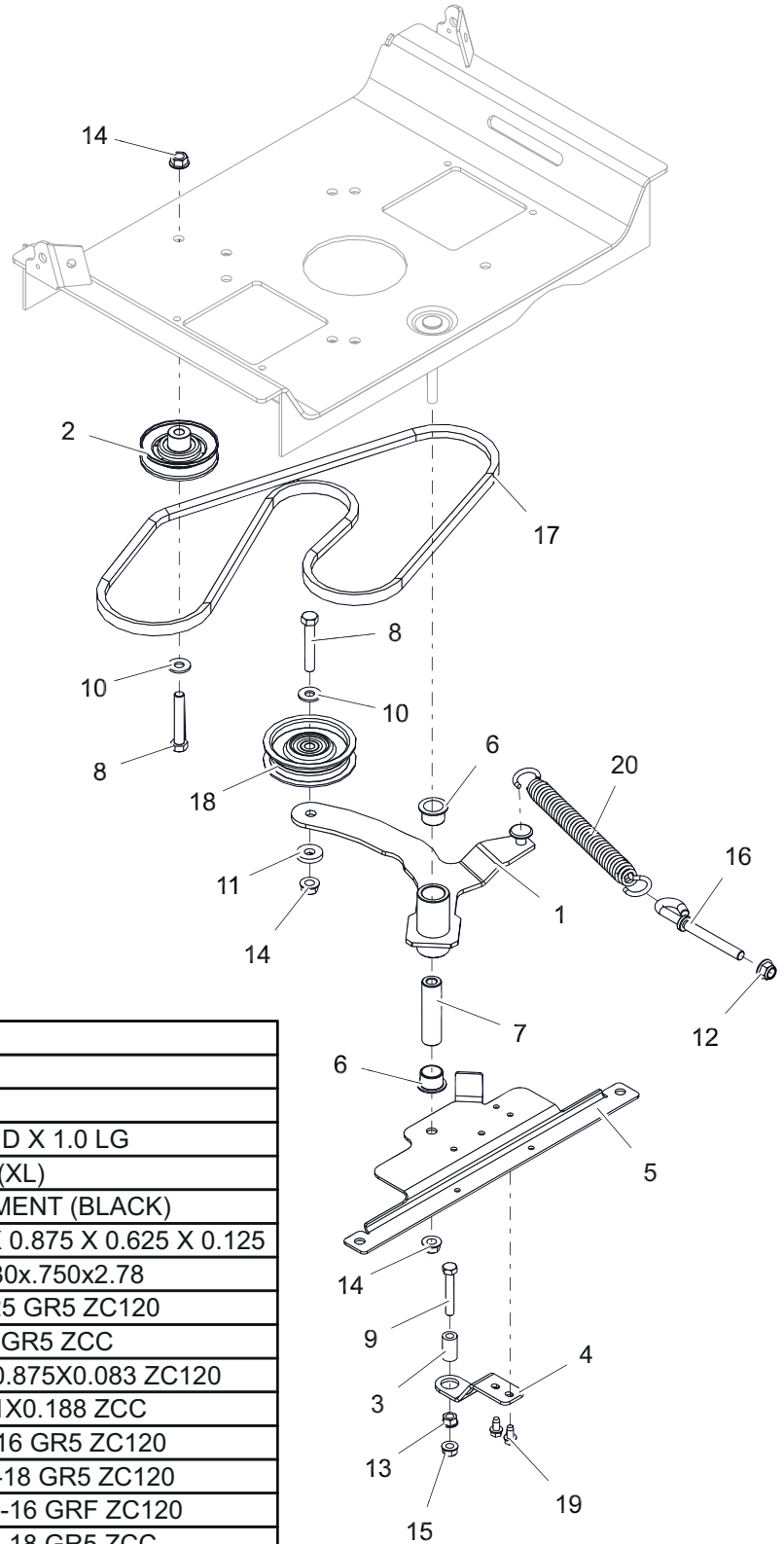
Model 915264



BOM ID	Number	Qty	Description
1	02970200	2	TANK, EXPANSION
2	09160600	1	TRANSAXLE, ZT2800 - LH
3	09160700	1	TRANSAXLE, ZT2800 - RH
4	04884151	2	BRKT, VALVE DUMP
5	05162551	1	SPCR, TRANSAXLE .406 ID X .630 OD X 9.27 (BLACK)
6	05501112	2	SPACER SLEEVED .265X.500X.500
7	06500926	8	NUT, WHEEL .500-20 ZCC
8	06923500	4	CLAMP, HOSE - #8 SAE
9	07001528	2	FITTING, HYD (90 DEG)
10	07001735	2	HOSE,
11	07101422	2	ASSM TIRE\WHEEL,
12	05901910	4	BLT, HEX-FLG 0.312-18X2.25 GR5 ZCC
13	05901738	2	BLT, HEX 0.25-20X1.25 GR5 ZCC
14	05901911	4	BLT, HEX-FLG 0.312-18X2.75 GR5 ZCC
15	05901903	1	BLT, HEX-FLG 0.375-16X13 GR5 ZC120
16	06500840	8	NUT, FLG-CTR LK .312-18 GR5 ZCC
17	06500824	1	NUT, FLG-SPNLK .250-20 GR5 ZC120
18	07400122	4	SCR-TAP .25-20X.50 HWH ZCC
19	06500635	2	NUT-LK-CTR-JAM .25-20 YWZC

TRANSAXLE DRIVE

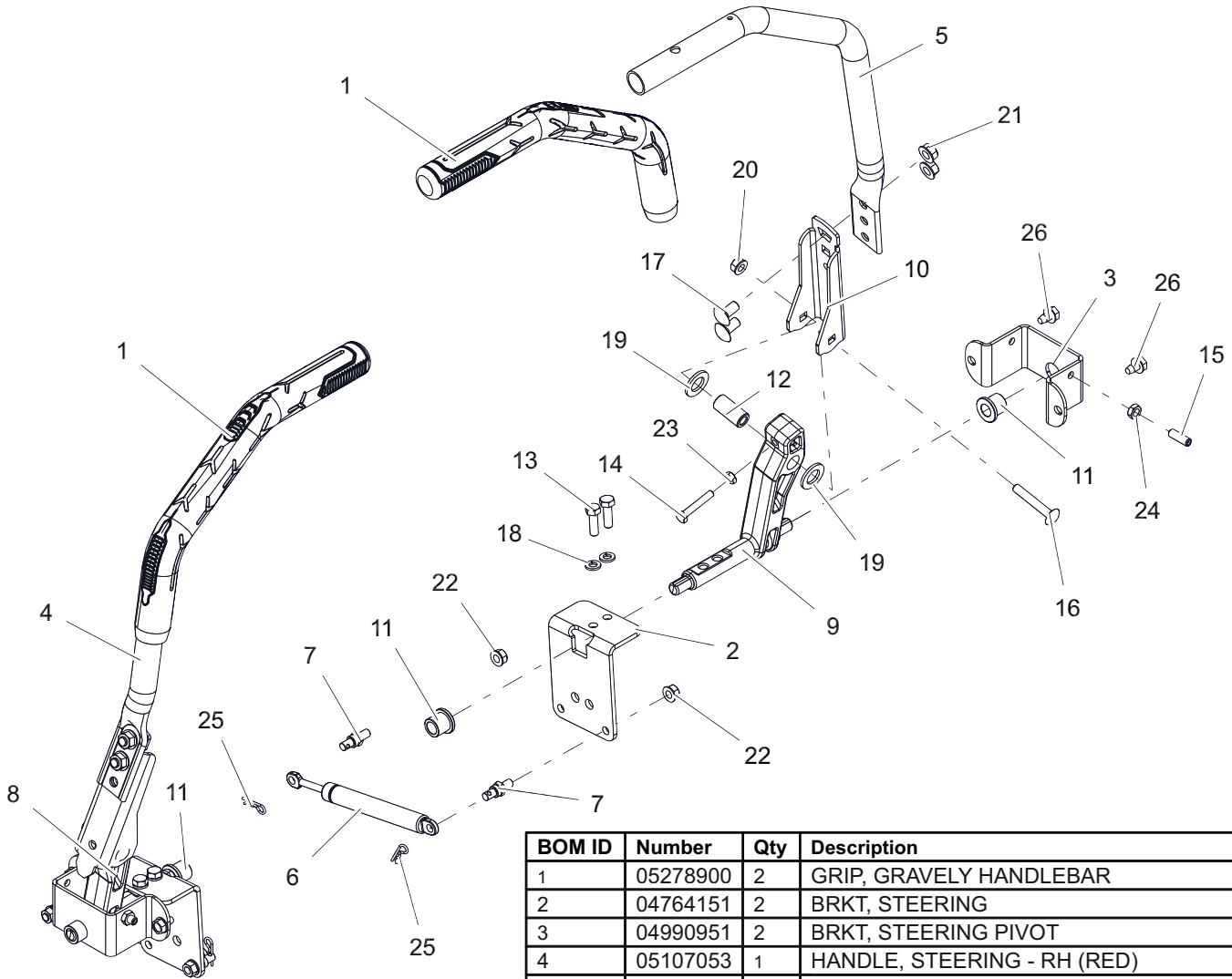
Model All



BOM ID	Number	Qty	Description
1	04890451	1	WLDMT, IDLER
2	07347200	1	ASM, 3.00" V IDLER
3	03980200	1	SPCR, RUBBER 5/16 ID X 1.0 LG
4	04879351	1	BRKT, CLUTCH STOP (XL)
5	05240851	1	BRKT, IDLER ATTACHMENT (BLACK)
6	05500039	2	BSHG, FLANGE 0.75 X 0.875 X 0.625 X 0.125
7	05501237	1	SPACER SLEEVED .380x.750x2.78
8	05901640	2	BLT, HEX 0.375-16X2.25 GR5 ZC120
9	05901805	1	BLT, HEX 0.3125-18X2 GR5 ZCC
10	06401023	2	WSHR-FL-STL 0.375X0.875X0.083 ZC120
11	06401108	1	WSHR-FL-STL 0.406X1X0.188 ZCC
12	06500726	1	NUT, LK-NYL-FLG .38-16 GR5 ZC120
13	06500815	1	NUT, FLG-SPNLK .312-18 GR5 ZC120
14	06500822	3	NUT, FLG-TOP LK .375-16 GRF ZC120
15	06500904	1	NUT, FLG-TOP LK .312-18 GR5 ZCC
16	07002023	1	BOLT, EYE - 38-16 UNC 2-A
17	07200724	1	V-BELT, A SECTION RAW EDGE
18	07349900	1	SHEAVE, IDLER -V .38 x 4.00
19	07400122	2	SCR-TAP .25-20X.50 HWH ZCC
20	08300728	1	SPRG, EXTENSION - SWIVEL

CONTROLS

Model All

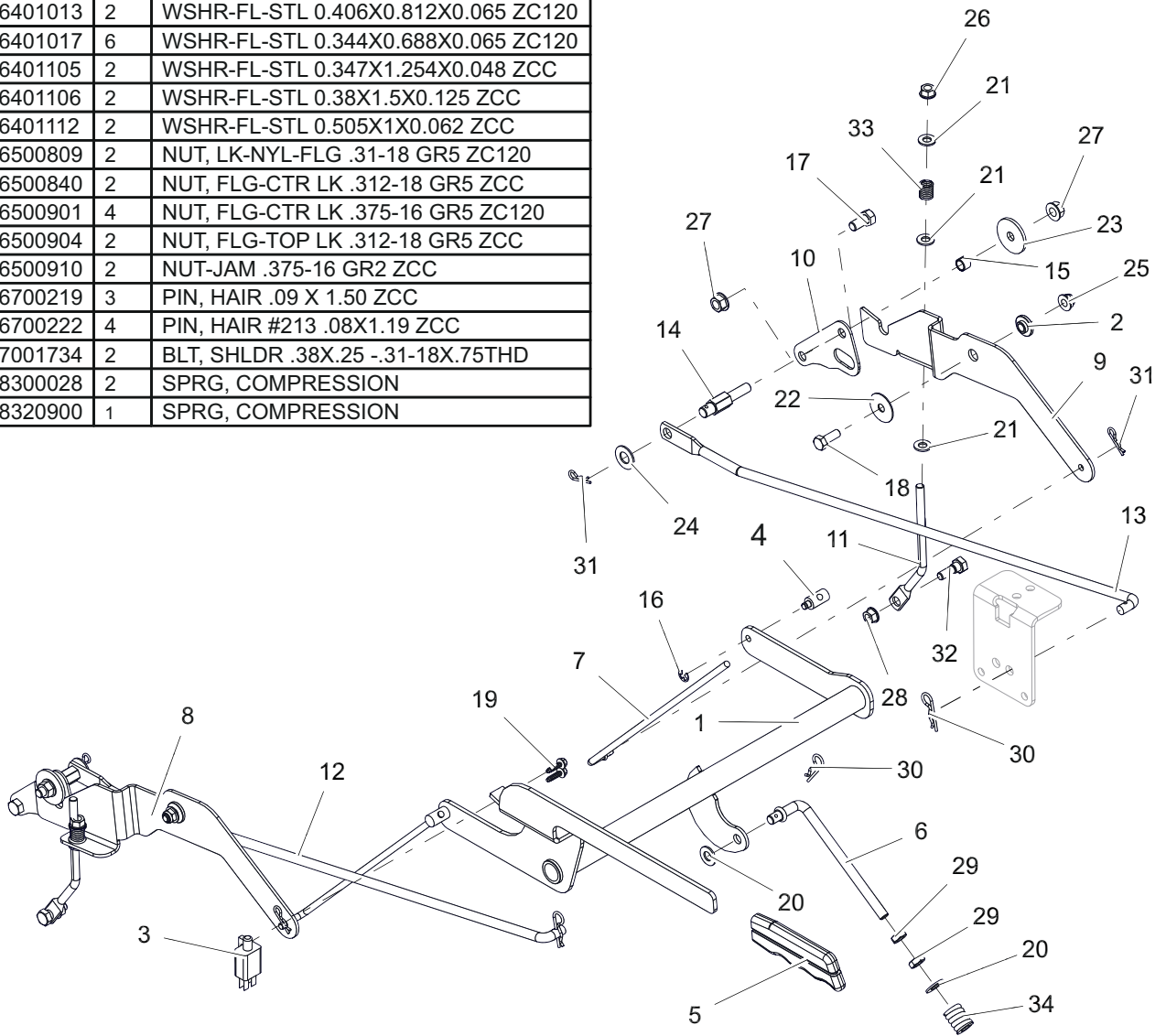


BOM ID	Number	Qty	Description
1	05278900	2	GRIP, GRAVELY HANDLEBAR
2	04764151	2	BRKT, STEERING
3	04990951	2	BRKT, STEERING PIVOT
4	05107053	1	HANDLE, STEERING - RH (RED)
5	05107153	1	HANDLE, STEERING (RED)
6	05160400	2	DAMPER, STRAIGHT MOUNT
7	05171400	4	COUPLER, DAMPER MOUNT
8	09155400	1	ARM, STEERING - RH LOWER (MACHINED)
9	09155500	1	ARM, STEERING - LH LOWER (MACHINED)
10	05179653	2	ARM, CONTROL -UPPER (RED)
11	05501001	4	BUSHING FLANGE
12	05501334	2	BSHG-SLV .342 X .627 X 1.331
13	05901802	4	BLT, HEX 0.3125-18X1 GR8 ZCC
14	05902030	2	BLT, HEX 0.25-20X1.5F GR5 ZCC
15	06100240	2	SCR-SET, .312-18X1.000
16	06200431	2	BTL,RHSSN .313-18 X 2 G5 ZCC
17	06200432	4	BTL,RHSSN .375-16 X 0.75 G5 FPB
18	06300119	4	WSHR,LK-REG 0.314 X 0.078 ZCC
19	06401130	4	WSHR, FRICTION
20	06500840	2	NUT, FLG-CTR LK .312-18 GR5 ZCC
21	06500901	4	NUT, FLG-CTR LK .375-16 GR5 ZC120
22	06500904	4	NUT, FLG-TOP LK .312-18 GR5 ZCC
23	06500908	2	NUT, JAM .250-20 G2 ZCC
24	06500909	2	NUT, JAM .312-18 GR5 ZCC
25	06700222	4	PIN, HAIR #213 .08X1.19 ZCC
26	07400124	4	SCR-TAP .312-18X.50 HWH ZCC

PARKING BRAKE

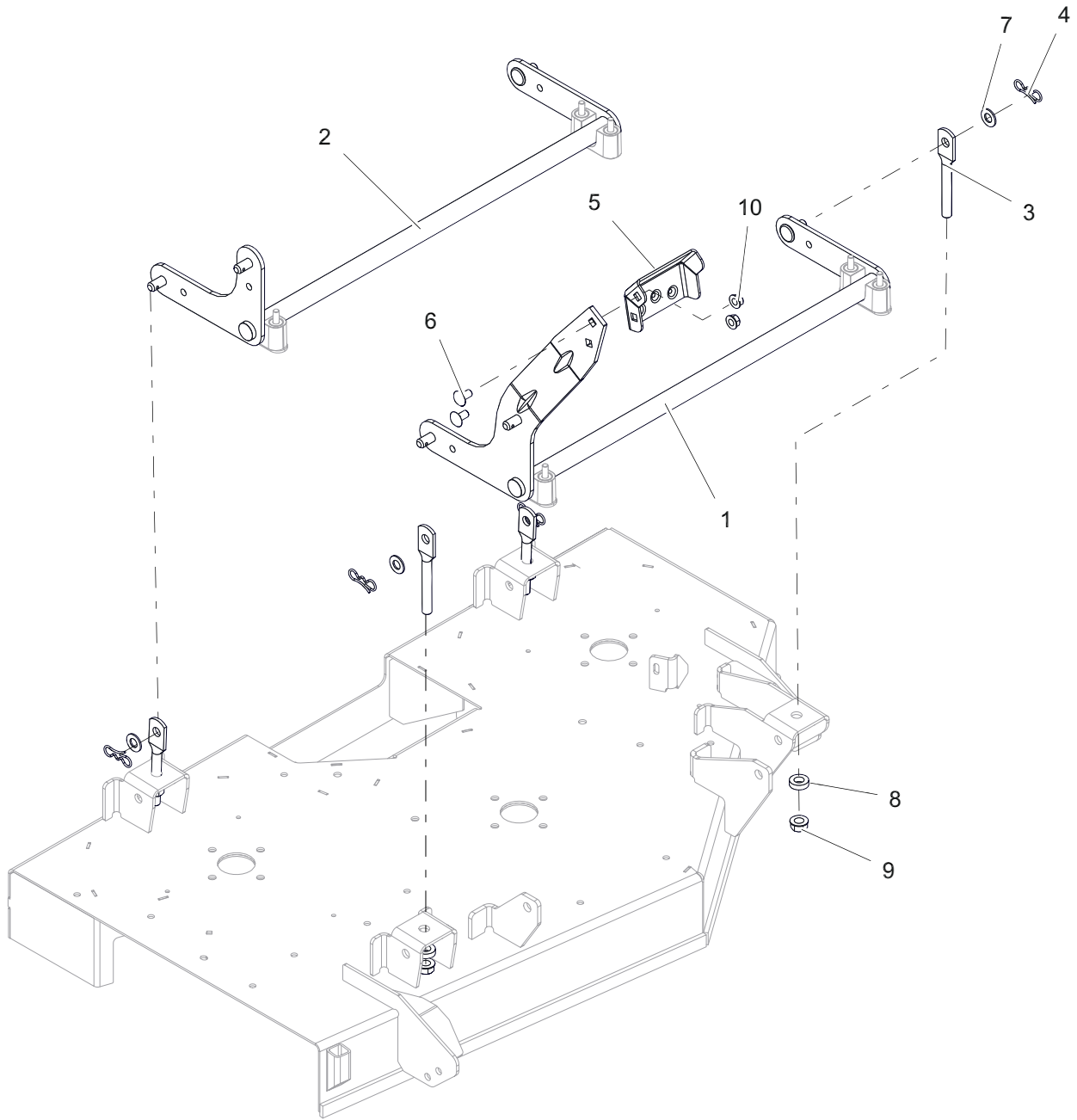
Model All

BOM ID	Number	Qty	Description
1	04787851	1	WLDMT, BRAKE LEVER (BLACK)
2	01305900	2	SPACER FLANGED
3	03606600	1	SWITCH- DOUBLE POLE N.O./N.O.
4	03764800	2	TRUNNION, 1/4-20
5	05097200	1	GRIP, PARKING
6	04787900	1	LINK, OVER CENTER BRAKE
7	04788000	2	LINK, BRAKE ARM
8	04788100	1	INTERLOCK, RH BRAKE LINK
9	04790400	1	INTERLOCK, LH BRAKE LINK
10	04799351	2	PLATE, TRANSAXLE
11	04879600	2	LINK, BRAKE (XL)
12	05245600	1	LINKAGE, STEERING - RH
13	05245700	1	LINKAGE, STEERING - LH
14	05245800	2	STUD, STEERING LINK MOUNTING
15	05501235	2	SPCR, .385X.500X.350
16	05700125	2	RING, RETAINING-E .25X.025
17	05901702	2	BLT, HEX 0.375-16X0.75 GR5 ZC120
18	05901801	2	BLT, HEX 0.3125-18X0.875 GR5 ZCC
19	06100232	2	SCR, PLASTITE-HWH 0.2 X 0.75 ZC120
20	06401013	2	WSHR-FL-STL 0.406X0.812X0.065 ZC120
21	06401017	6	WSHR-FL-STL 0.344X0.688X0.065 ZC120
22	06401105	2	WSHR-FL-STL 0.347X1.254X0.048 ZCC
23	06401106	2	WSHR-FL-STL 0.38X1.5X0.125 ZCC
24	06401112	2	WSHR-FL-STL 0.505X1X0.062 ZCC
25	06500809	2	NUT, LK-NYL-FLG .31-18 GR5 ZC120
26	06500840	2	NUT, FLG-CTR LK .312-18 GR5 ZCC
27	06500901	4	NUT, FLG-CTR LK .375-16 GR5 ZC120
28	06500904	2	NUT, FLG-TOP LK .312-18 GR5 ZCC
29	06500910	2	NUT-JAM .375-16 GR2 ZCC
30	06700219	3	PIN, HAIR .09 X 1.50 ZCC
31	06700222	4	PIN, HAIR #213 .08X1.19 ZCC
32	07001734	2	BLT, SHLDR .38X.25 -.31-18X.75THD
33	08300028	2	SPRG, COMPRESSION
34	08320900	1	SPRG, COMPRESSION



DECK LIFT

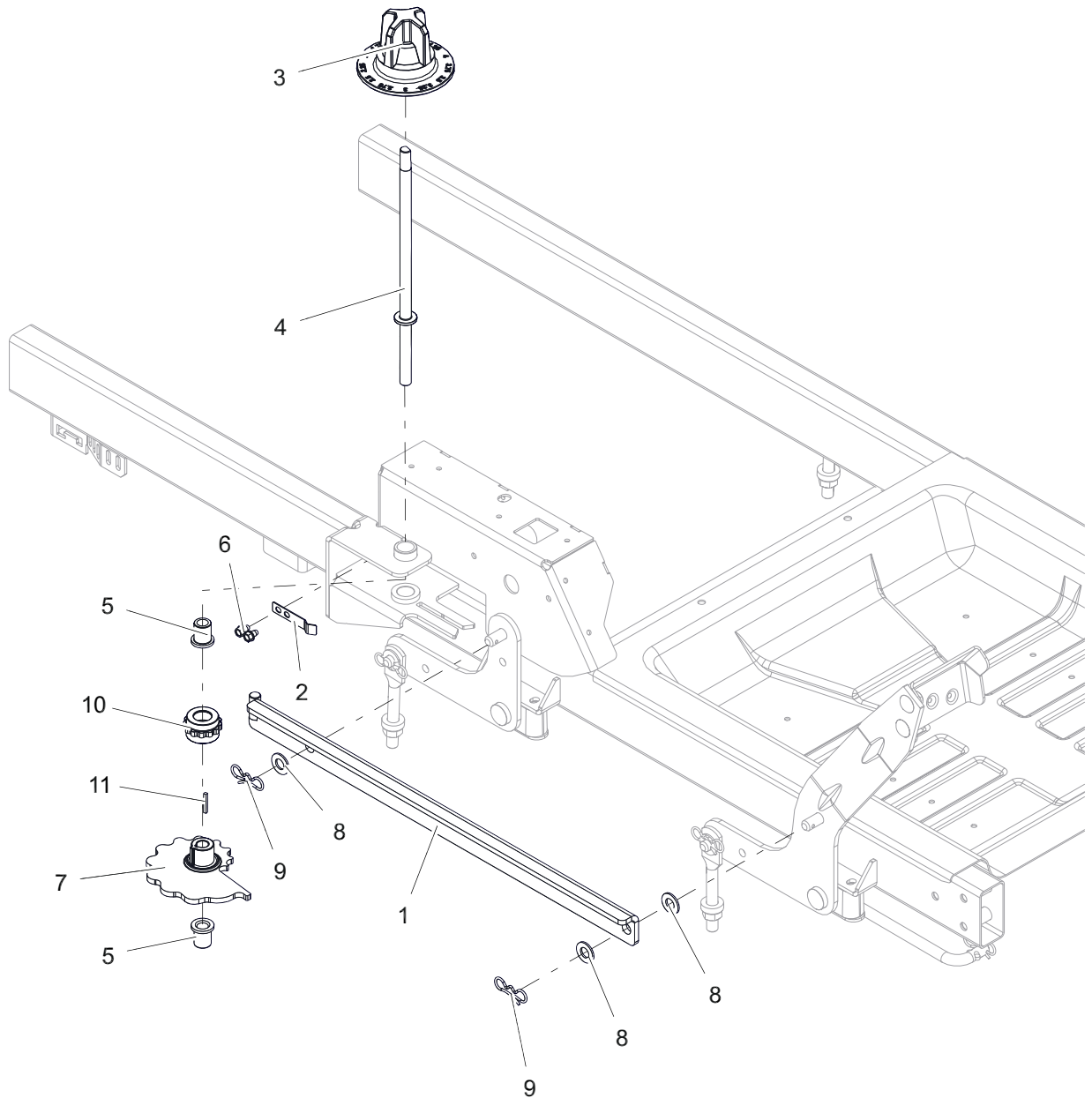
Model All



BOM ID	Number	Qty	Description
1	05246051	1	WLDMT, FRONT DECK LIFT PIVOT (BLACK)
2	05246151	1	WLDMT, REAR DECK LIFT PIVOT (BLACK)
3	05113900	4	LINK, DECK (HOLE-LONG)
4	06700220	4	PIN, BOWTIE LOCKING .091X1.875 ZCC
5	04869251	1	PEDAL, DECK LIFT (BOLT ON)
6	06200432	2	BTL,RHSSN .375-16 X 0.75 G5 FPB
7	06443300	4	WSHR-FL-NYL .518X1.00X.08
8	07500417	4	WSHR, RUBBER
9	06500902	4	NUT, FLG-CTR LK .500-13 GF ZCC
10	06500901	2	NUT, FLG-CTR LK .375-16 GR5 ZC120

HEIGHT OF CUT

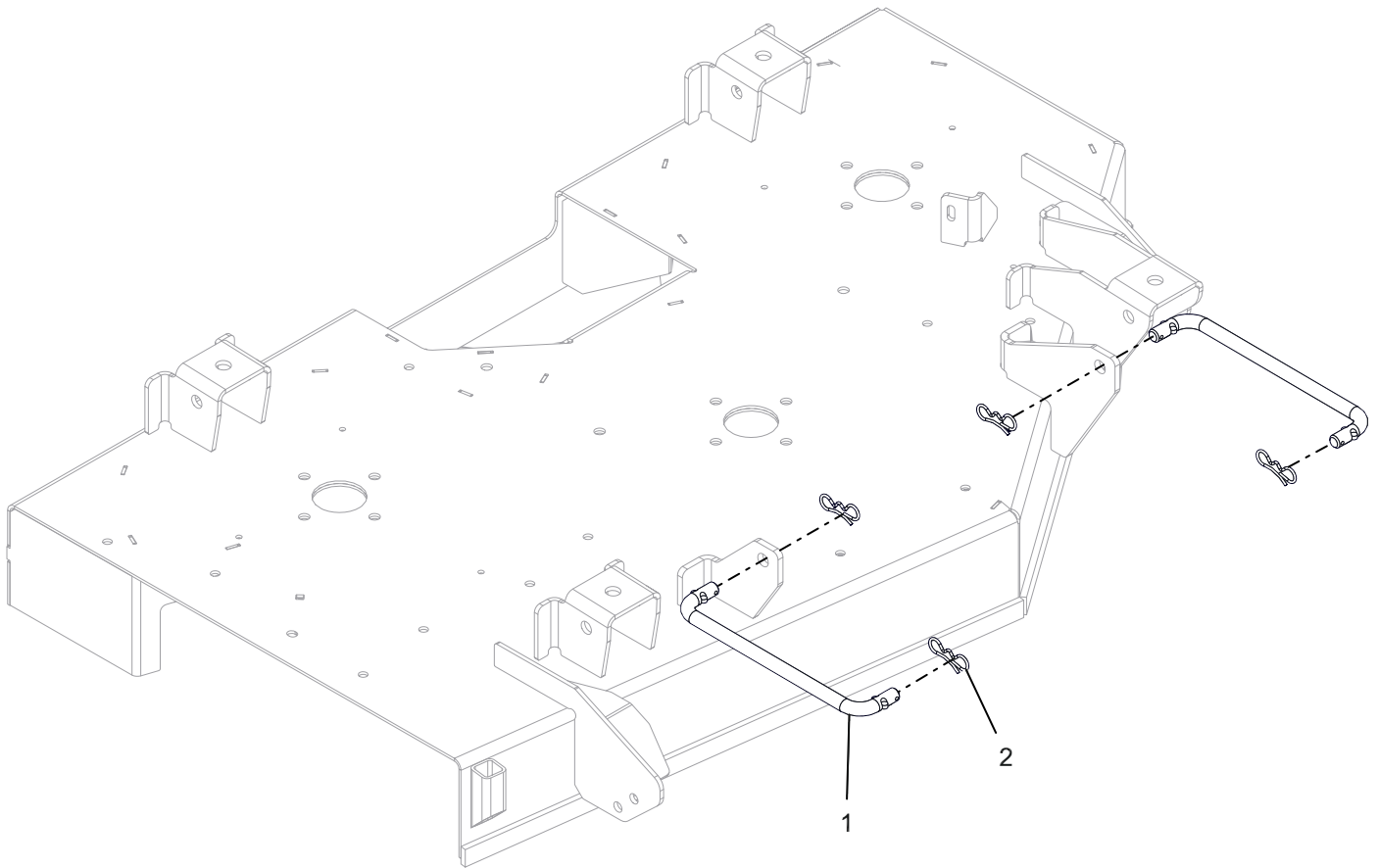
Model All



BOM ID	Number	Qty	Description
1	04741751	1	WLDMT,
2	04742100	1	ARM, HOC DETENT
3	05091700	1	KNOB, HOC DIAL
4	09361500	1	SHAFT, CAM
5	05501218	2	BUSHING, FLANGE .503X.75X.875X1.0
6	07400125	2	SCR-TAP .25-20X.38 HWH ZCC
7	05165900	1	CAM, HOC (PM)
8	06443300	3	WSHR-FL-NYL .518X1.00X.08
9	06700220	2	PIN, BOWTIE LOCKING .091X1.875 ZCC
10	07500422	1	GEAR, HOC INDEX
11	06600211	1	KEY, 1/8 X 1/8 X 1.0 REV

DECK MOUNT

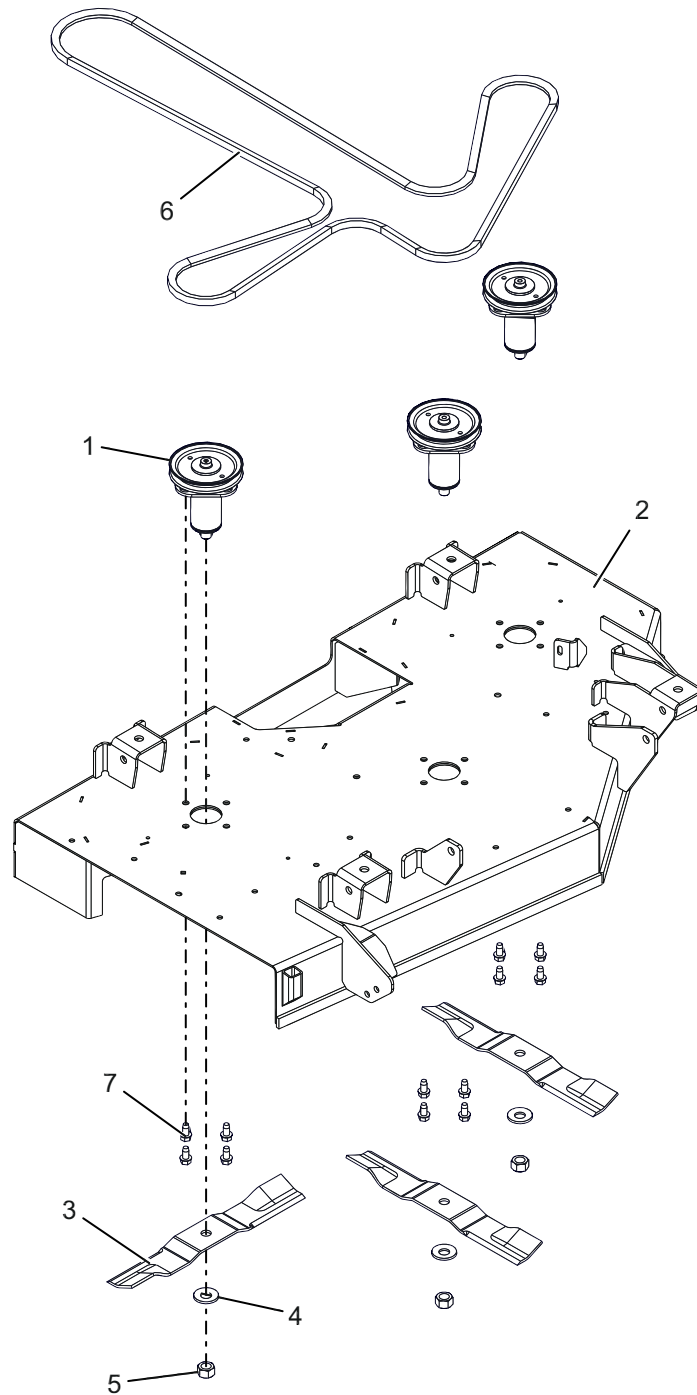
Model All



BOM ID	Number	Qty	Description
1	02004500	2	LINK, DRAG
2	06700220	4	PIN, BOWTIE LOCKING .091X1.875 ZCC

DECK, BELT, BLADES AND SPINDLES – 42"

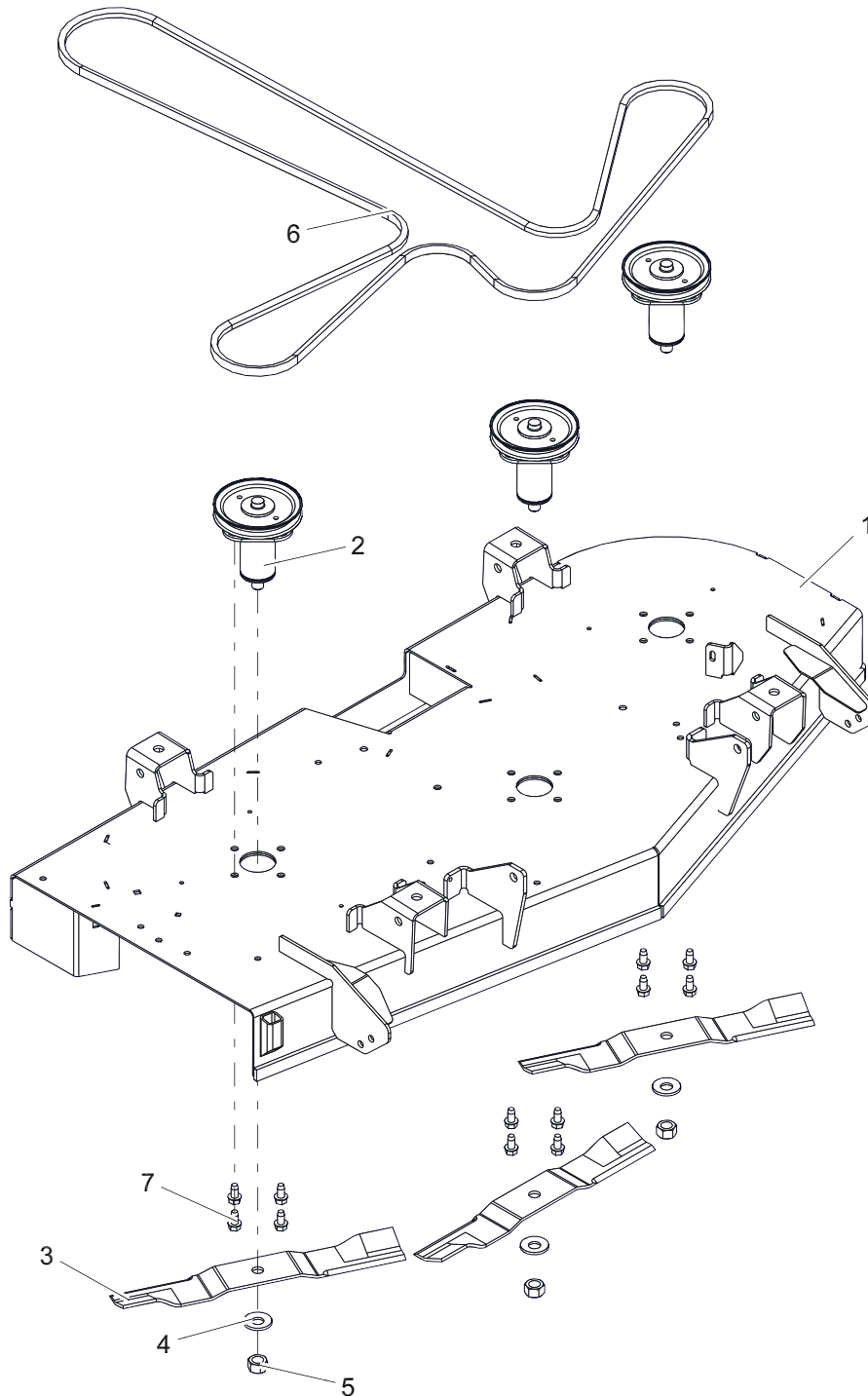
Model 915262



BOM ID	Number	Qty	Description
1	51527900	3	ASM, SPINDLE
2	51532200	1	WLDMT, DECK 42" (RED)
3	04769800	3	BLADE, MOWER
4	06445700	3	WSHR, BLVL-.63X1.625X.14
5	06500920	3	NUT, HEX .625-18 ZCC
6	07200523	1	V-Belt, HA-WRAPPED CLUTCHING (NO RUBBER BLEED THRU)
7	07400129	12	SCR-TAP .38-16X.75 HWH ZCC

DECK, BELT, BLADES AND SPINDLES – 48"

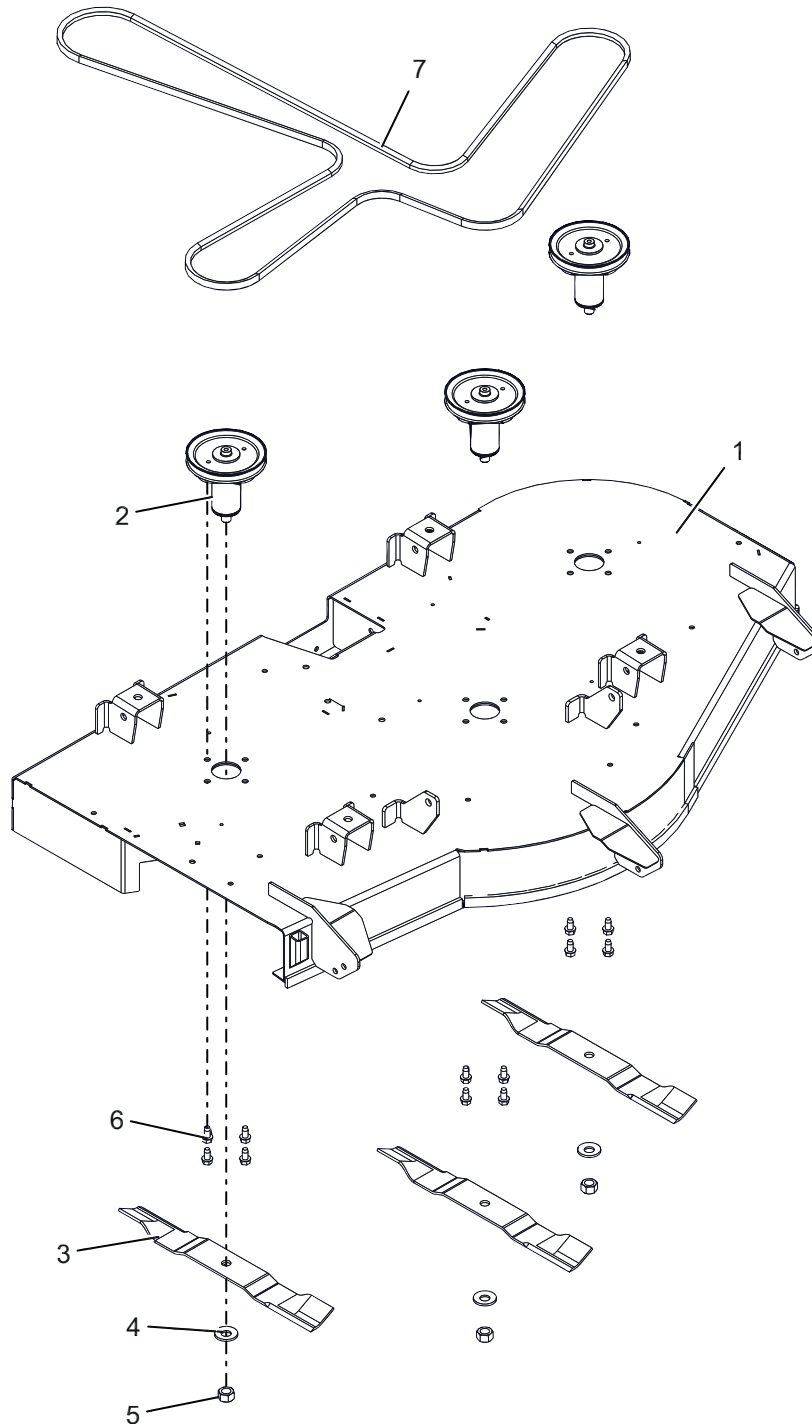
Model 915261



BOM ID	Number	Qty	Description
1	51536300	1	WLDMT, DECK 48"
2	51534800	3	ASM, SPINDLE
3	05284800	3	BLADE, MOWER - 16.19" LG
4	06445700	3	WSHR, BLVL-.63X1.625X.14
5	06500920	3	NUT, HEX .625-18 ZCC
6	07241600	1	V-BELT, HA-WRAPPED
7	07400129	12	SCR-TAP .38-16X.75 HWH ZCC

DECK, BELT, BLADES AND SPINDLES – 52"

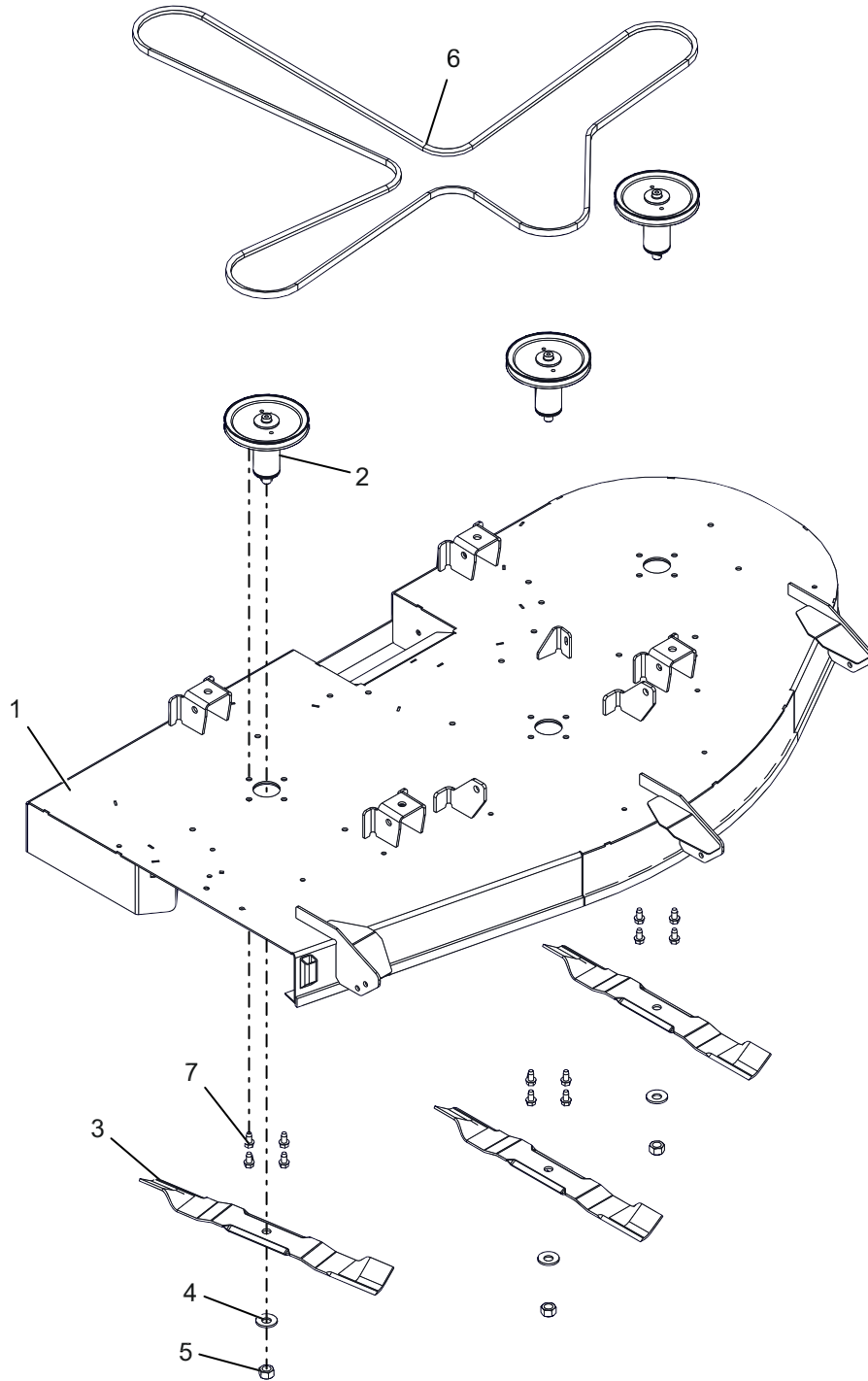
Model 915258, 263



BOM ID	Number	Qty	Description
1	51532400	1	KIT, GRAVELY DECK 52" WITH DECALS
2	51528000	3	ASM, SPINDLE
3	04771200	3	BLADE, 18" - 20 DEG .5 OFFSET
4	06445700	3	WSHR, BLVL-.63X1.625X.14
5	06500920	3	NUT, HEX .625-18 ZCC
6	07400129	12	SCR-TAP .38-16X.75 HWH ZCC
7	07200023	1	V-BELT, HA-WRAPPED

DECK, BELT, BLADES AND SPINDLES – 60"

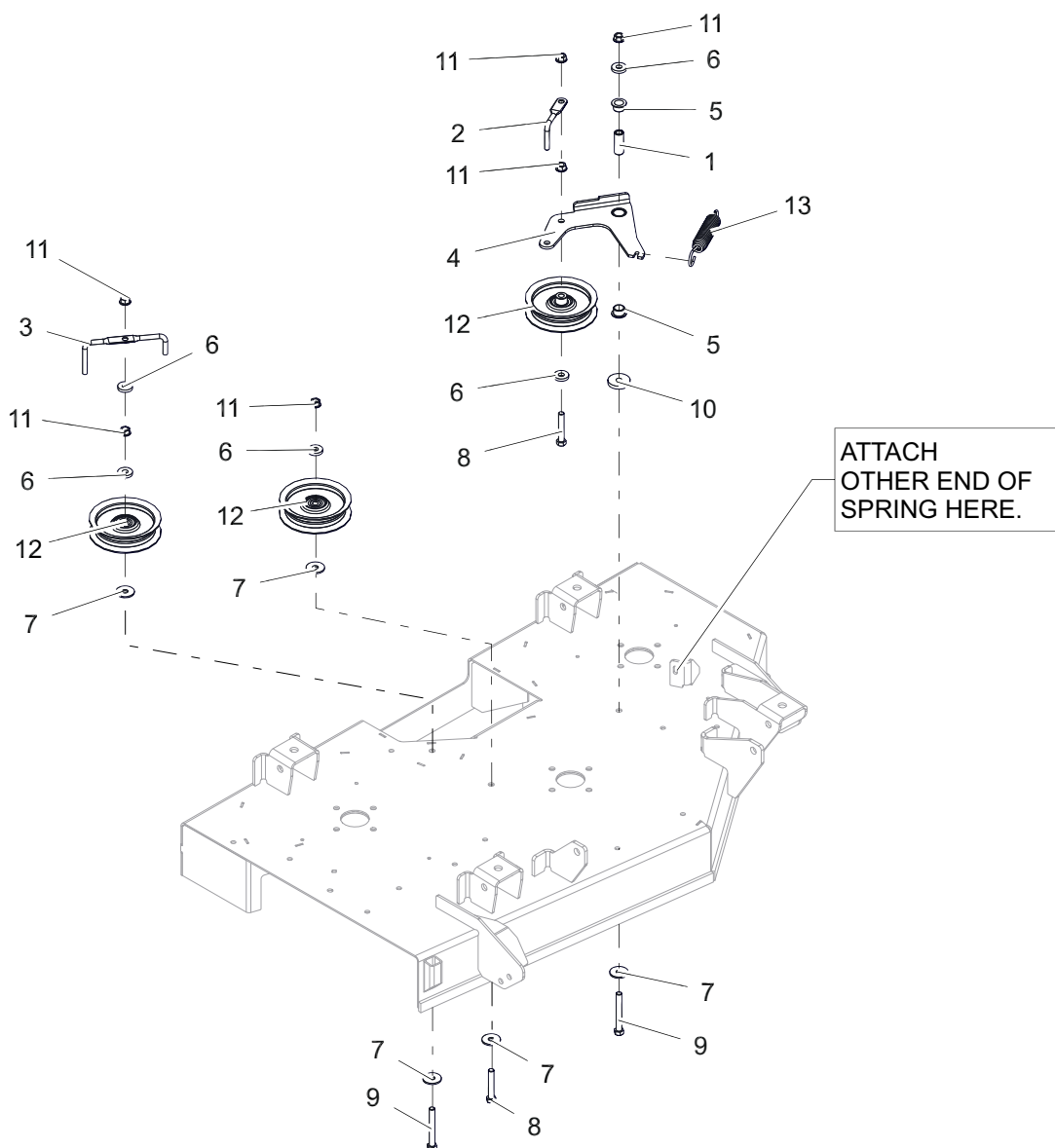
Model 915264



BOM ID	Number	Qty	Description
1	51532700	1	KIT, GRAVELY DECK 60" WITH DECALS
2	51530700	3	ASM, SPINDLE
3	04965000	3	BLADE,
4	06445700	3	WSHR, BLVL-.63X1.625X.14
5	06500920	3	NUT, HEX .625-18 ZCC
6	07200804	1	V-BELT,
7	07400129	12	SCR-TAP .38-16X.75 HWH ZCC

IDLERS AND SHEAVES – 42"

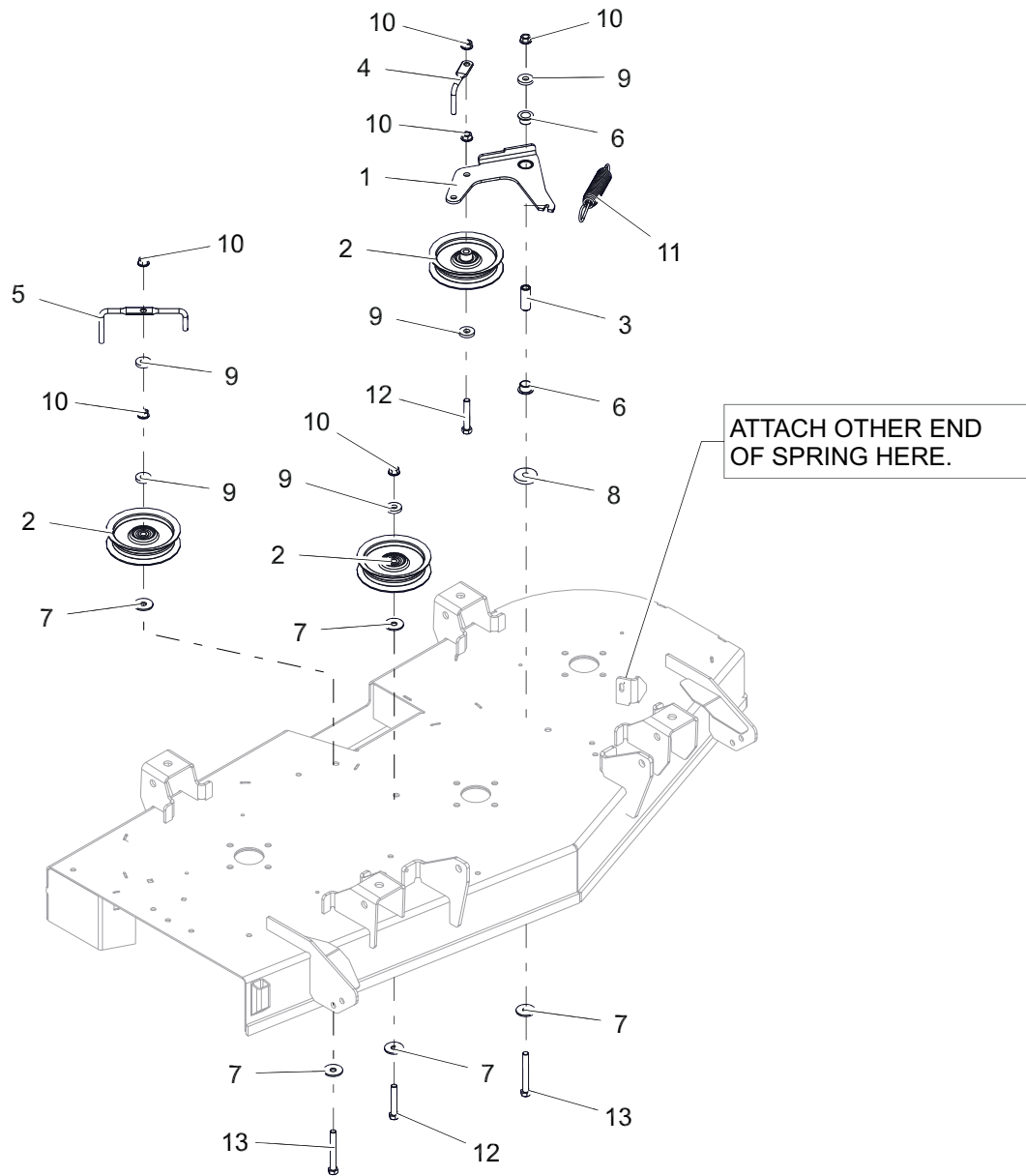
Model 915262



BOM ID	Number	Qty	Description
1	03763400	1	SPACER SLEEVED .375IDX.625ODX1.66 PM
2	03828800	1	WIREFORM, BELT FINGER
3	03974100	1	FINGER, BELT
4	04773353	1	WLDMT, IDLER ARM (RED)
5	05500907	2	BSHG, FLANGE
6	06401108	5	WSHR-FL-STL 0.406X1X0.188 ZCC
7	06401021	5	WSHR-FL-STL 0.406X1.25X0.1 ZCC
8	05901640	2	BLT, HEX 0.375-16X2.25 GR5 ZC120
9	05901815	2	BLT, HEX 0.375-16X3F GR5 ZCC
10	06401110	1	WSHR-FL-STL 0.406X1.5X0.245 ZCC
11	06500901	6	NUT, FLG-CTR LK .375-16 GR5 ZC120
12	07350100	3	IDLER, FLAT - 4.06" X .75"
13	08320300	1	SPRG, EXTENSION

IDLERS AND SHEAVES – 48"

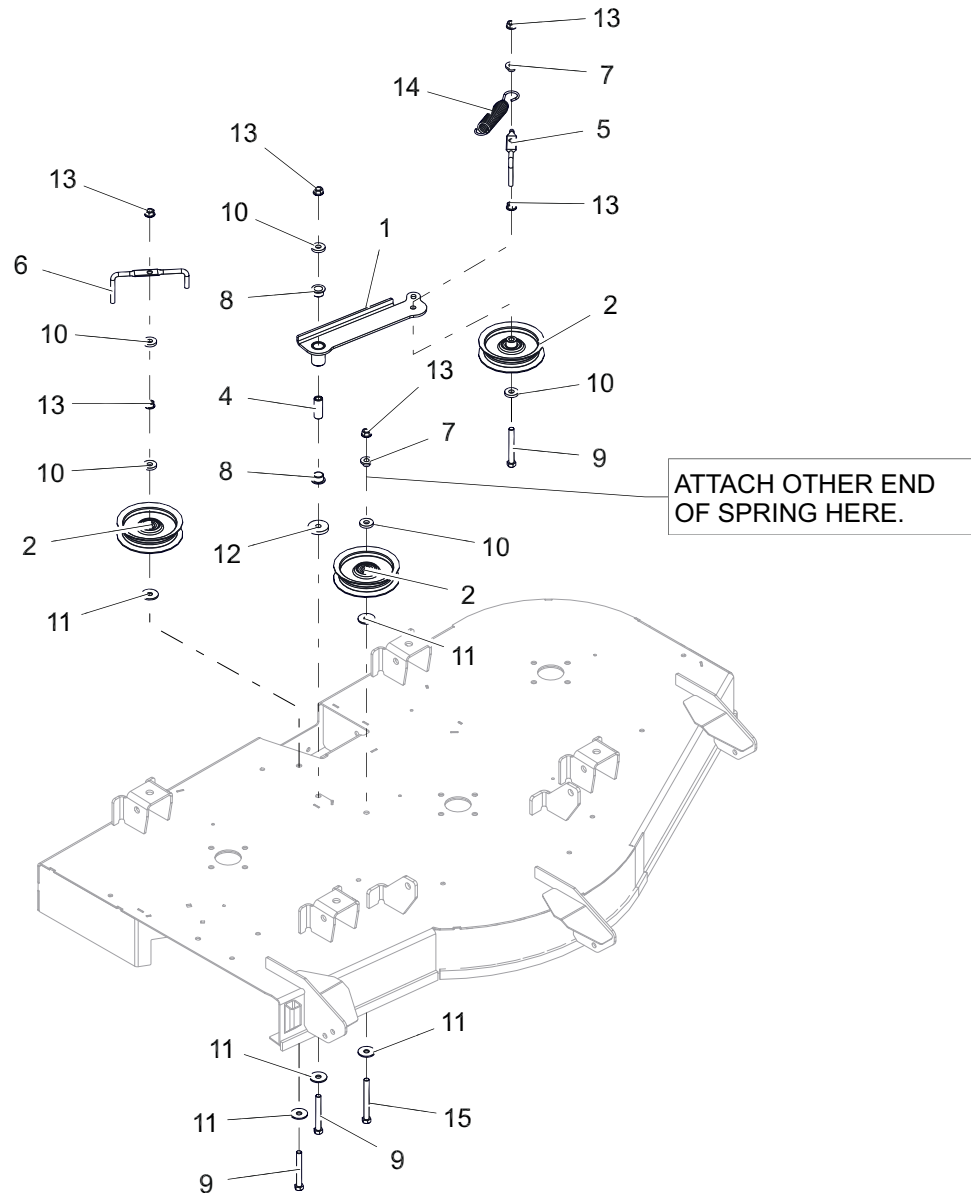
Model 915261



BOM ID	Number	Qty	Description
1	04773353	1	WLDMT, IDLER ARM (RED)
2	07350100	3	IDLER, FLAT - 4.06" X .75"
3	03763400	1	SPACER SLEEVED .375IDX.625ODX1.66 PM
4	03828800	1	WIREFORM, BELT FINGER
5	03974100	1	FINGER, BELT
6	05500907	2	BSHG, FLANGE
7	06401021	5	WSHR-FL-STL 0.406X1.25X0.1 ZCC
8	06401110	1	WSHR-FL-STL 0.406X1.5X0.245 ZCC
9	06401108	5	WSHR-FL-STL 0.406X1X0.188 ZCC
10	06500901	6	NUT, FLG-CTR LK .375-16 GR5 ZC120
11	08320300	1	SPRG, EXTENSION
12	05901640	2	BLT, HEX 0.375-16X2.25 GR5 ZC120
13	05901815	2	BLT, HEX 0.375-16X3F GR5 ZCC

IDLERS AND SHEAVES – 52"

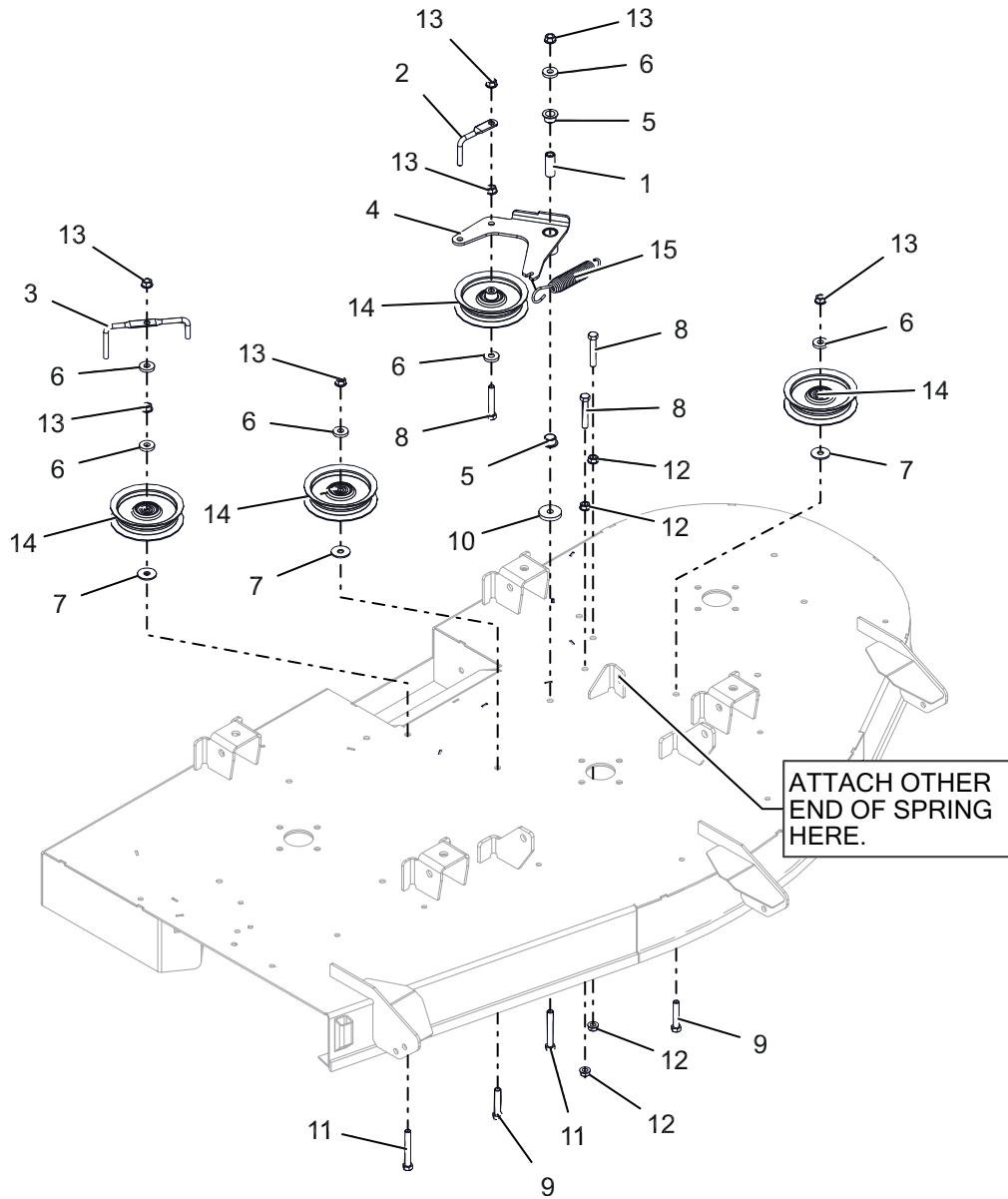
Model 915258, 263



BOM ID	Number	Qty	Description
1	04795653	1	WLDMT, IDLER - 52" IDLER ARM
2	07350100	3	IDLER, FLAT - 4.06" X .75"
4	03763400	1	SPACER SLEEVED .375IDX.625ODX1.66 PM
5	03856800	1	WIREFORM, BELT
6	03974100	1	FINGER, BELT
7	05500435	2	BUSHING FLANGED FLG .385 X .500 X .875 X .406
8	05500907	2	BSHG, FLANGE
9	05901815	3	BLT, HEX 0.375-16X3F GR5 ZCC
10	06401108	5	WSHR-FL-STL 0.406X1X0.188 ZCC
11	06401021	5	WSHR-FL-STL 0.406X1.25X0.1 ZCC
12	06401110	1	WSHR-FL-STL 0.406X1.5X0.245 ZCC
13	06500901	6	NUT, FLG-CTR LK .375-16 GR5 ZC120
14	08320300	1	SPRG, EXTENSION
15	05901818	1	BLT, HEX 0.375-16X3.5 GR5 ZCC

IDLERS AND SHEAVES – 60"

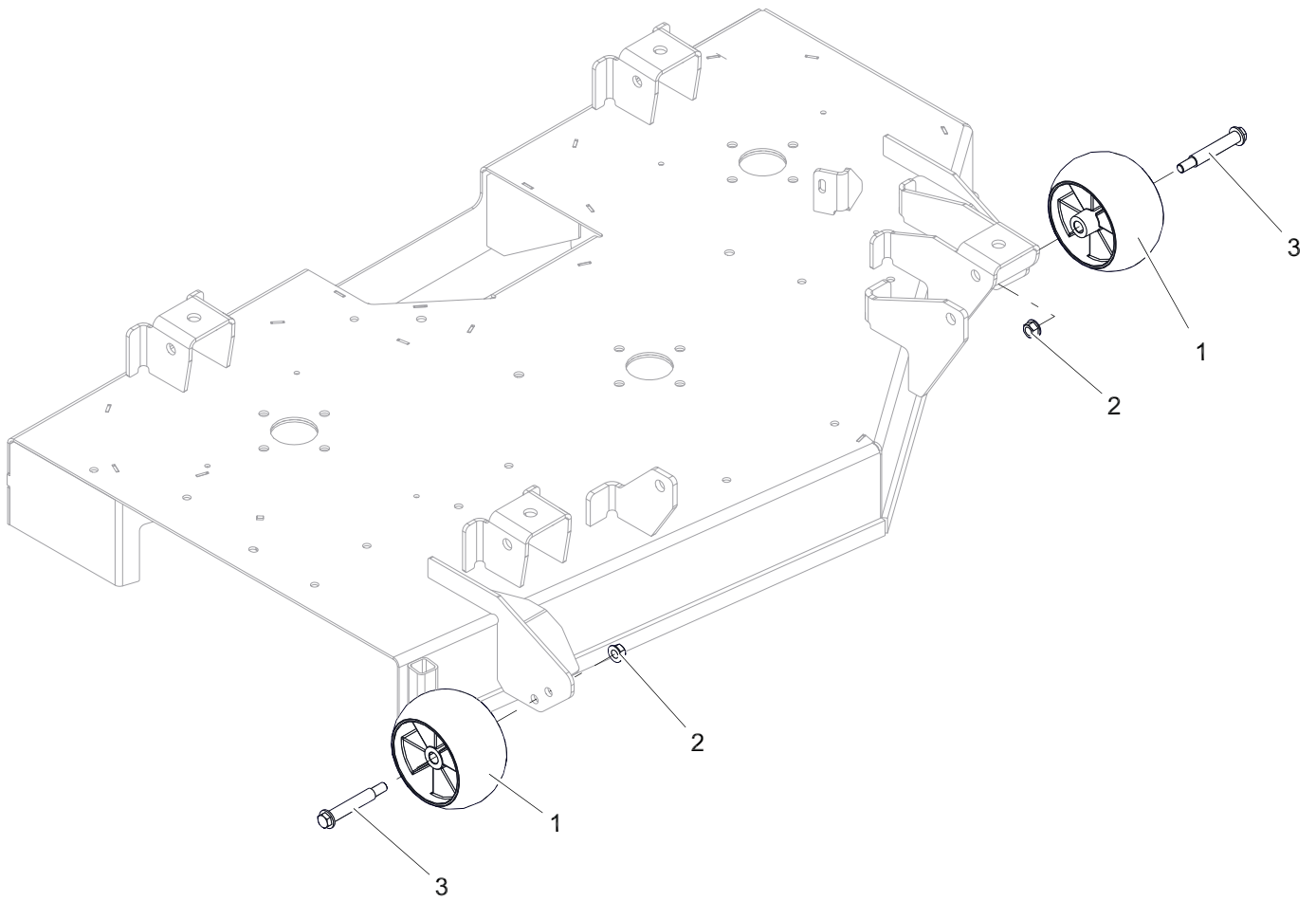
Model 915264



BOM ID	Number	Qty	Description
1	03763400	1	SPCR, .375IDX.625ODX1.66 PM
2	03828800	1	WIREFORM, BELT FINGER
3	03974100	1	FINGER, BELT
4	04773353	1	WLDMT, IDLER ARM (RED)
5	05500907	2	BSHG, FLANGE
6	06401108	6	WSHR-FL-STL 0.406X1X0.188 ZCC
7	06401021	3	WSHR-FL-STL 0.406X1.25X0.1 ZCC
8	05901640	3	BLT, HEX 0.375-16X2.25 GR5 ZC120
9	05901718	2	BLT, HEX 0.375-16X2 GR5 ZC120
10	06401110	1	WSHR-FL-STL 0.406X1.5X0.245 ZCC
11	05901611	2	BLT, HEX 0.375-16X2.75 GR5 ZC120
12	06500735	4	NUT, FLG-SPNLK .375-16 GR5 ZC120
13	06500901	7	NUT, FLG-CTR LK .375-16 GR5 ZC120
14	07350100	4	IDLER, FLAT - 4.06" X .75"
15	08320300	1	SPRG, EXTENSION

ANTI-SCALP WHEELS – 42"

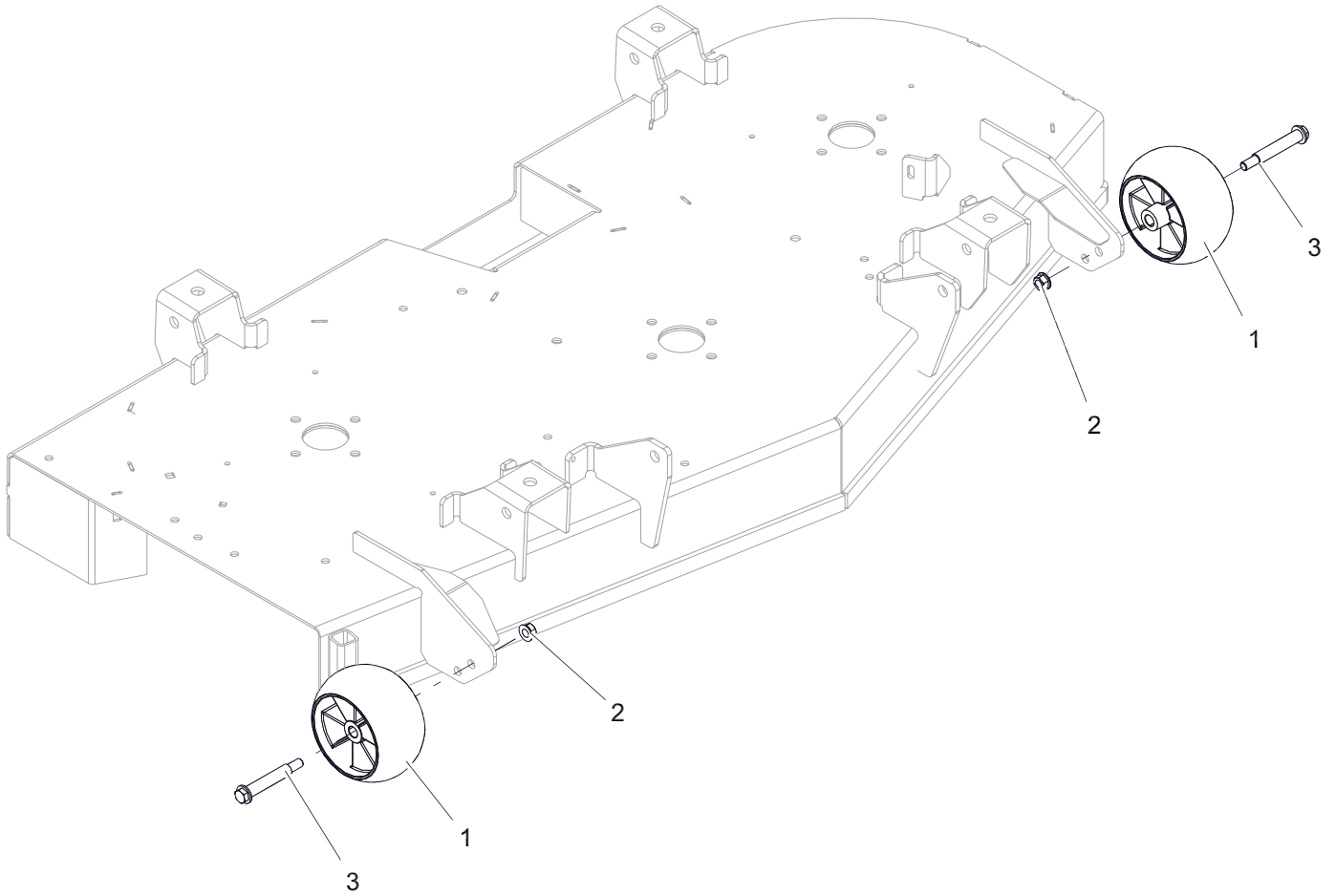
Model 915262



BOM ID	Number	Qty	Description
1	03905600	2	WHEEL, ANTI SCALP - 5XOS
2	06500901	2	NUT, FLG-CTR LK .375-16 GR5 ZC120
3	07056800	2	BLT-SHLDR .38-16X2.50 HWH G5 ZCC

ANTI-SCALP WHEELS – 48"

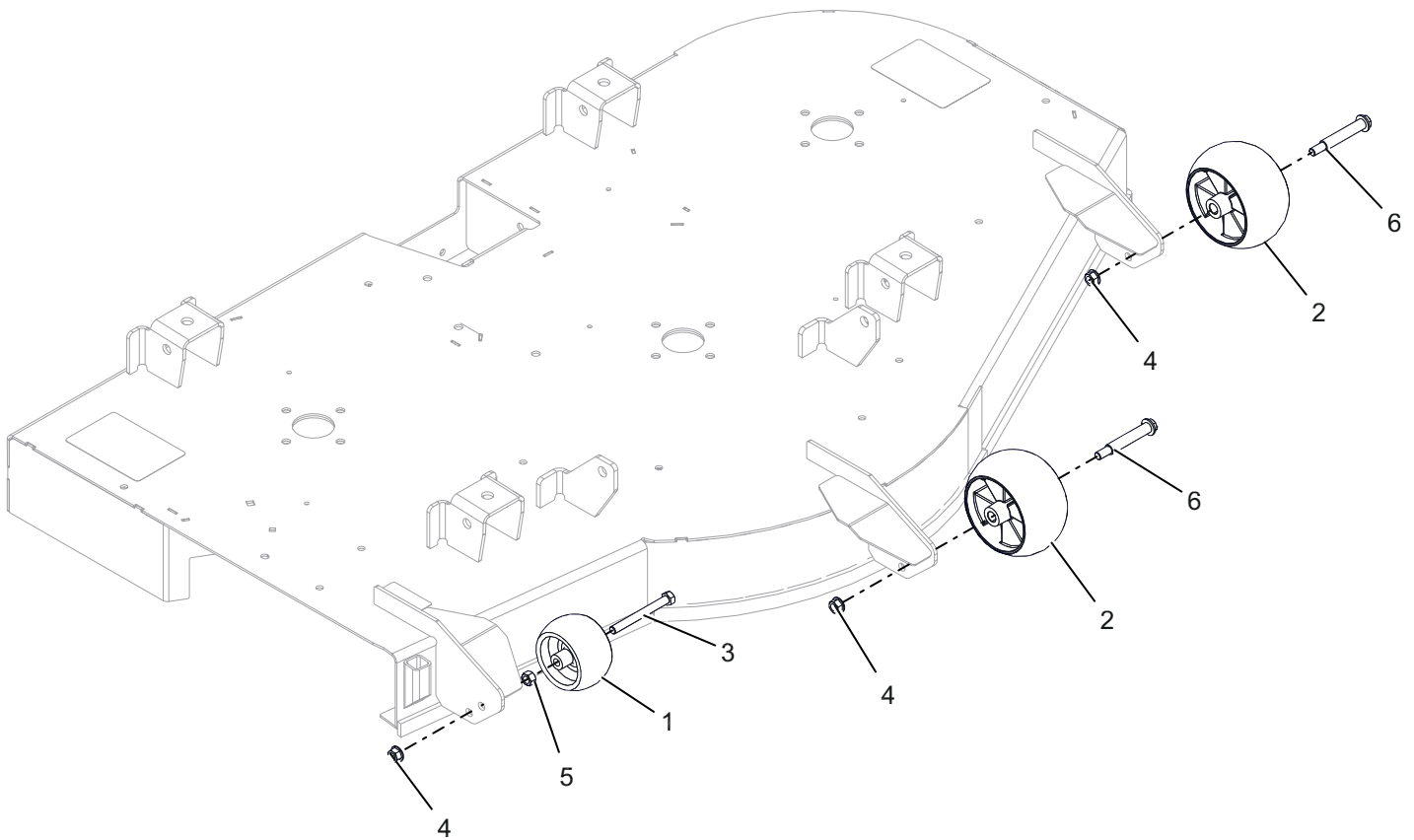
Model 915261



BOM ID	Number	Qty	Description
1	03905600	2	WHEEL, ANTI SCALP - 5XOS
2	06500901	2	NUT, FLG-CTR LK .375-16 GR5 ZC120
3	07056800	2	BLT-SHLDR .38-16X2.50 HWH G5 ZCC

ANTI-SCALP WHEELS – 52"

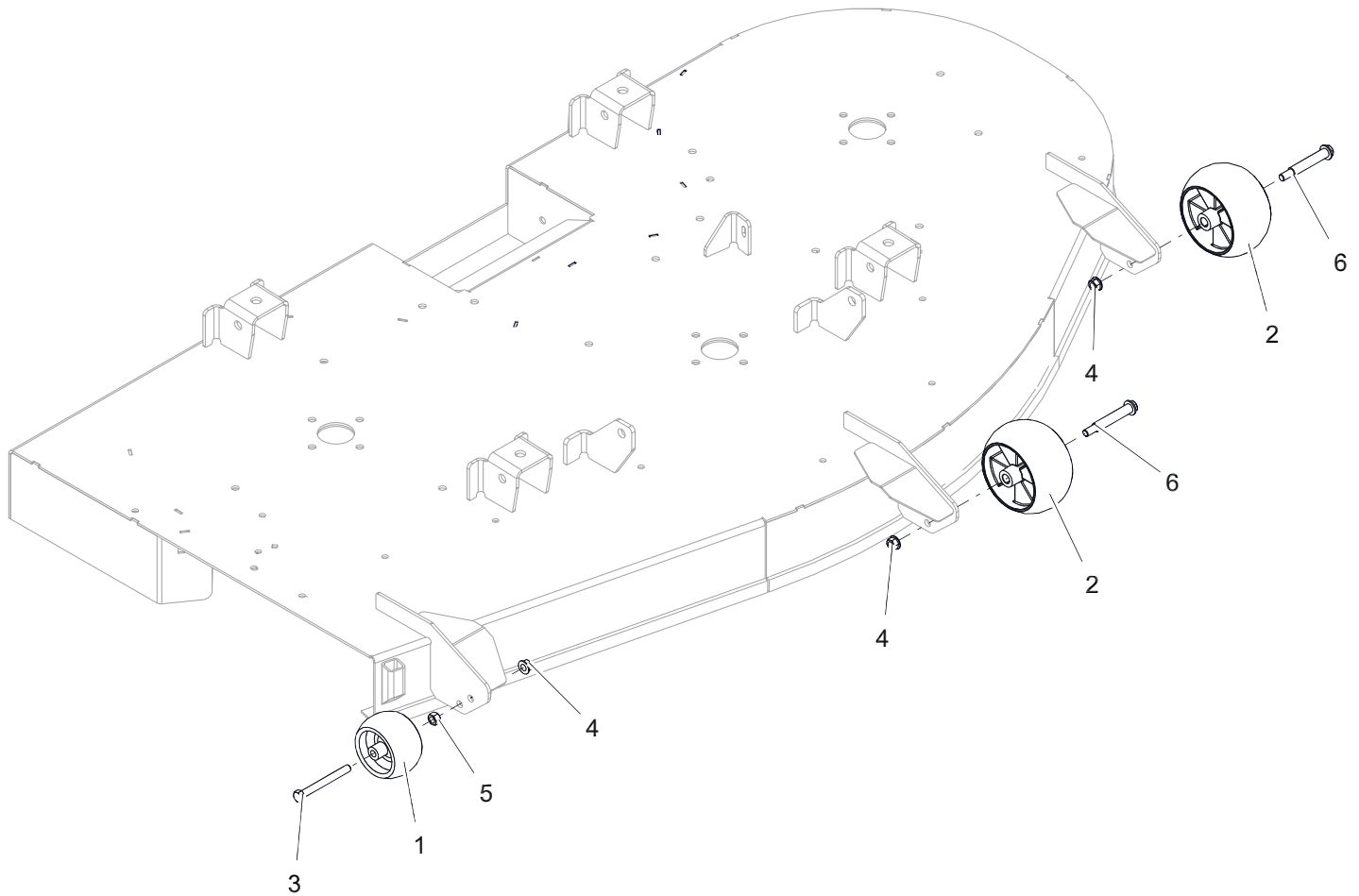
Model 915258, 263



BOM ID	Number	Qty	Description
1	02745400	1	ROLLER
2	03905600	2	WHEEL, ANTI SCALP - 5XOS
3	05901818	1	BLT, HEX 0.375-16X3.5 GR5 ZCC
4	06500901	3	NUT, FLG-CTR LK .375-16 GR5 ZC120
5	06500917	1	NUT, STD .375-16 GR2 ZCC
6	07056800	2	BLT-SHLDR .38-16X2.50 HWH G5 ZCC

ANTI-SCALP WHEELS – 60"

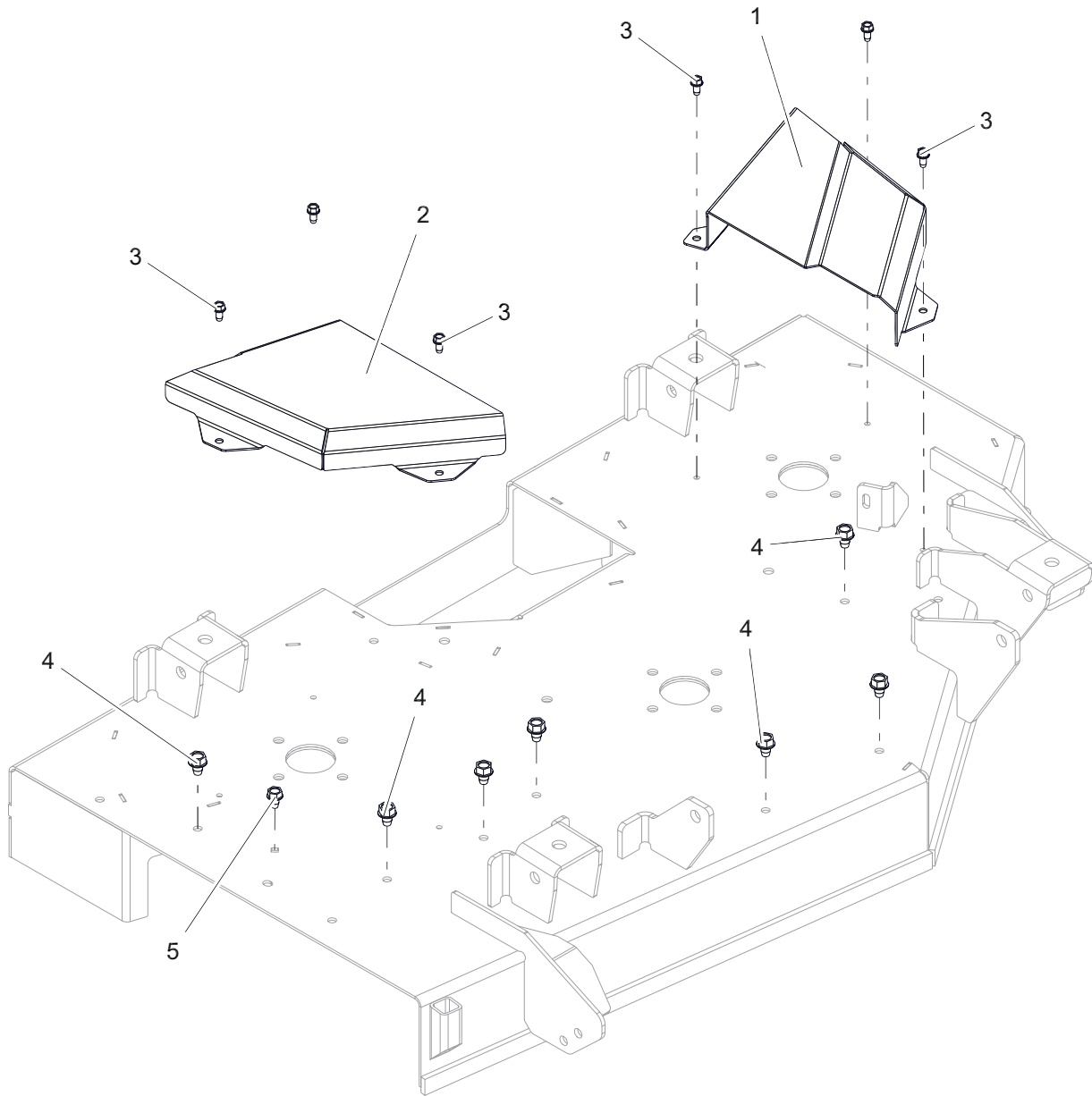
Model 915264



BOM ID	Number	Qty	Description
1	02745400	1	ROLLER
2	03905600	2	WHEEL, ANTI SCALP - 5XOS
3	05901818	1	BLT, HEX 0.375-16X3.5 GR5 ZCC
4	06500901	3	NUT, FLG-CTR LK .375-16 GR5 ZC120
5	06500917	1	NUT, STD .375-16 GR2 ZCC
6	07056800	2	BLT-SHLDR .38-16X2.50 HWH G5 ZCC

BELT COVERS - 42"

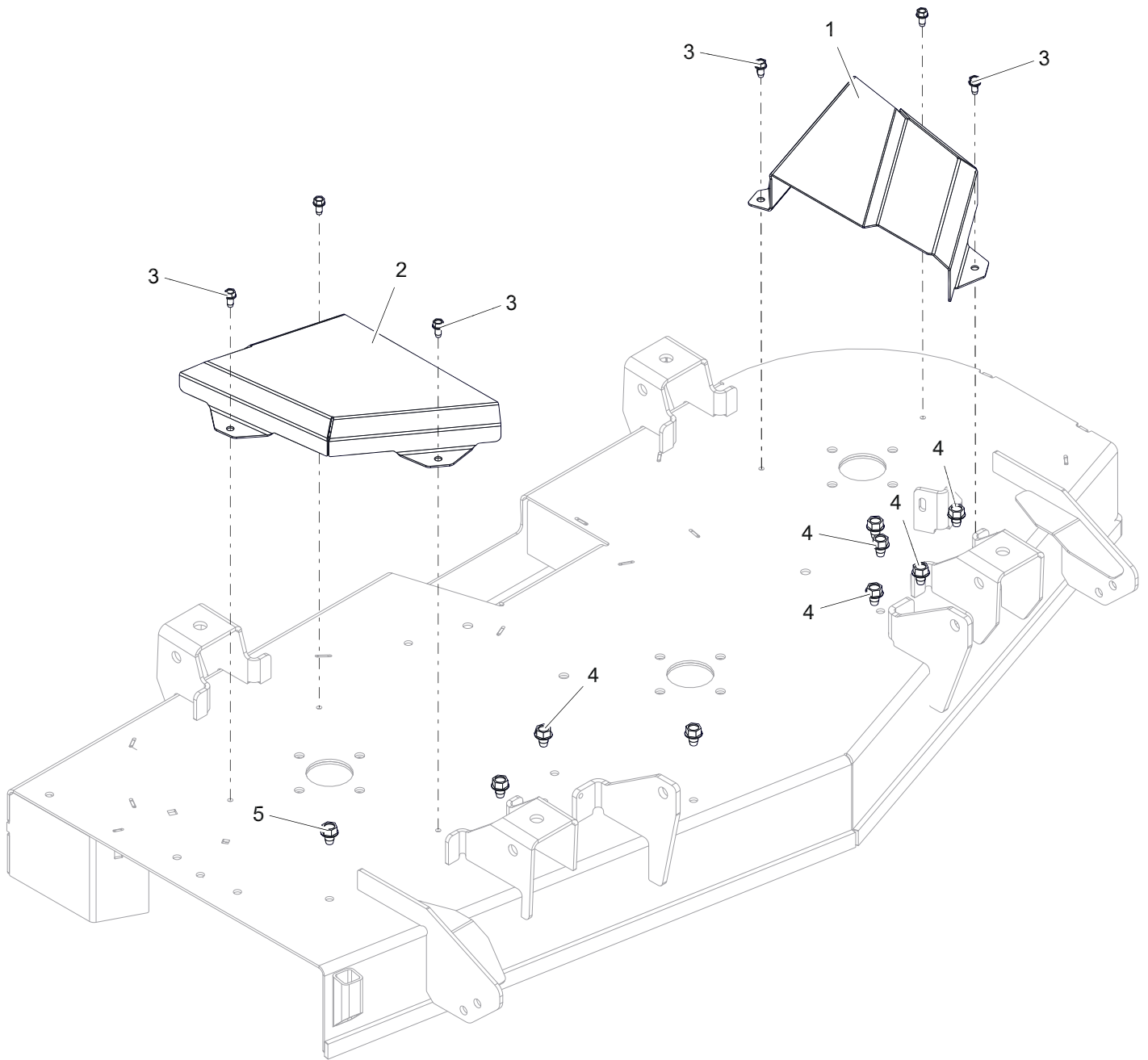
Model 915262



BOM ID	Number	Qty	Description
1	05294353	1	COVER, LH BELT - 42" (RED)
2	05294453	1	COVER, RH BELT - 42" (RED)
3	07400122	6	SCR-TAP .25-20X.50 HWH ZCC
4	07400126	7	SCR-TAP .38-16X.500 HWH ZCC
5	07400124	1	SCR-TAP .312-18X.50 HWH ZCC

BELT COVERS – 48"

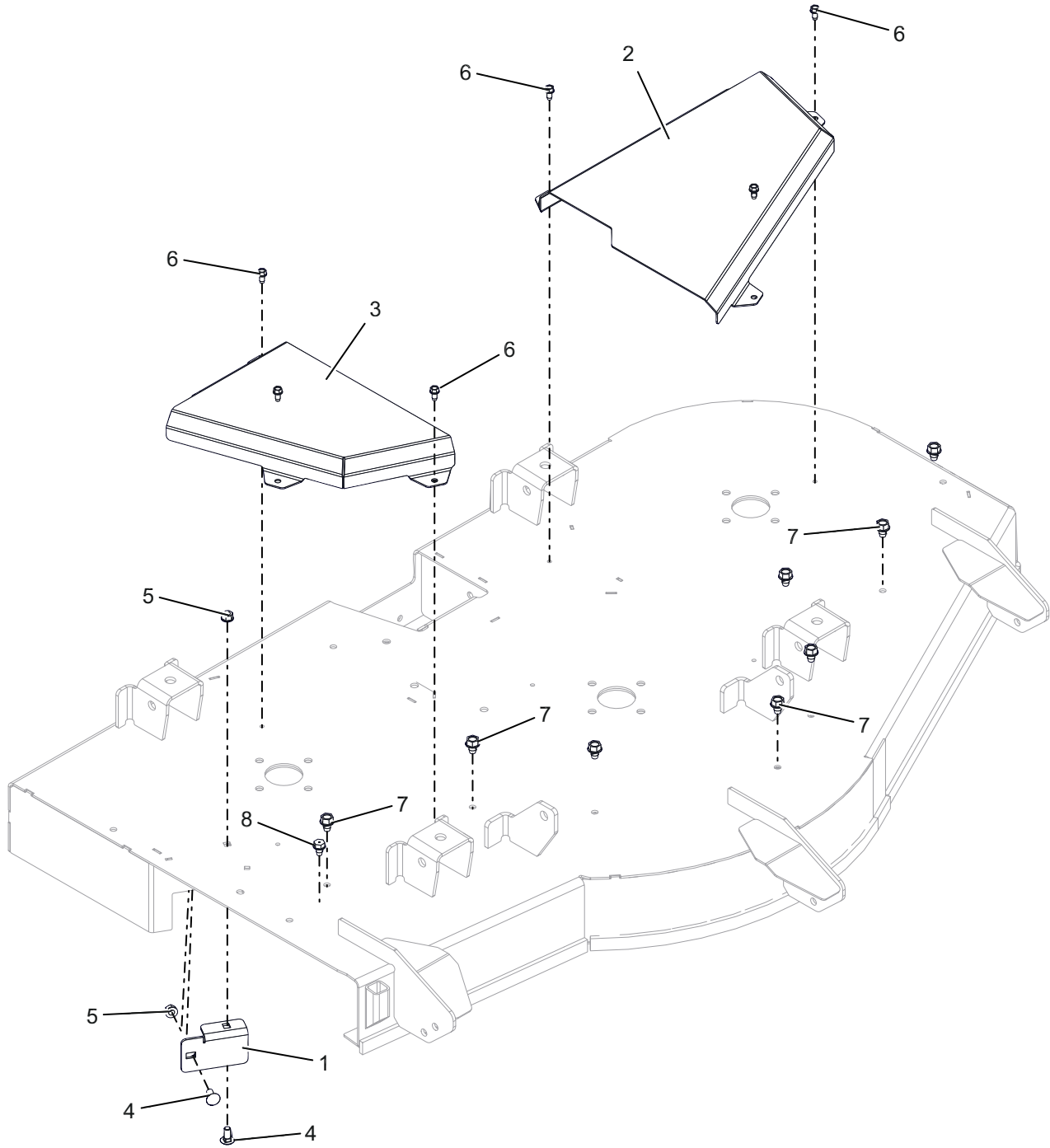
Model 915261



BOM ID	Number	Qty	Description
1	05294353	1	COVER, LH BELT - 42" (RED)
2	05294453	1	COVER, RH BELT - 42" (RED)
3	07400122	6	SCR-TAP .25-20X.50 HWH ZCC
4	07400126	8	SCR-TAP .38-16X.500 HWH ZCC
5	07400126	1	SCR-TAP .38-16X.500 HWH ZCC

BELT COVERS AND BAFFLE – 52"

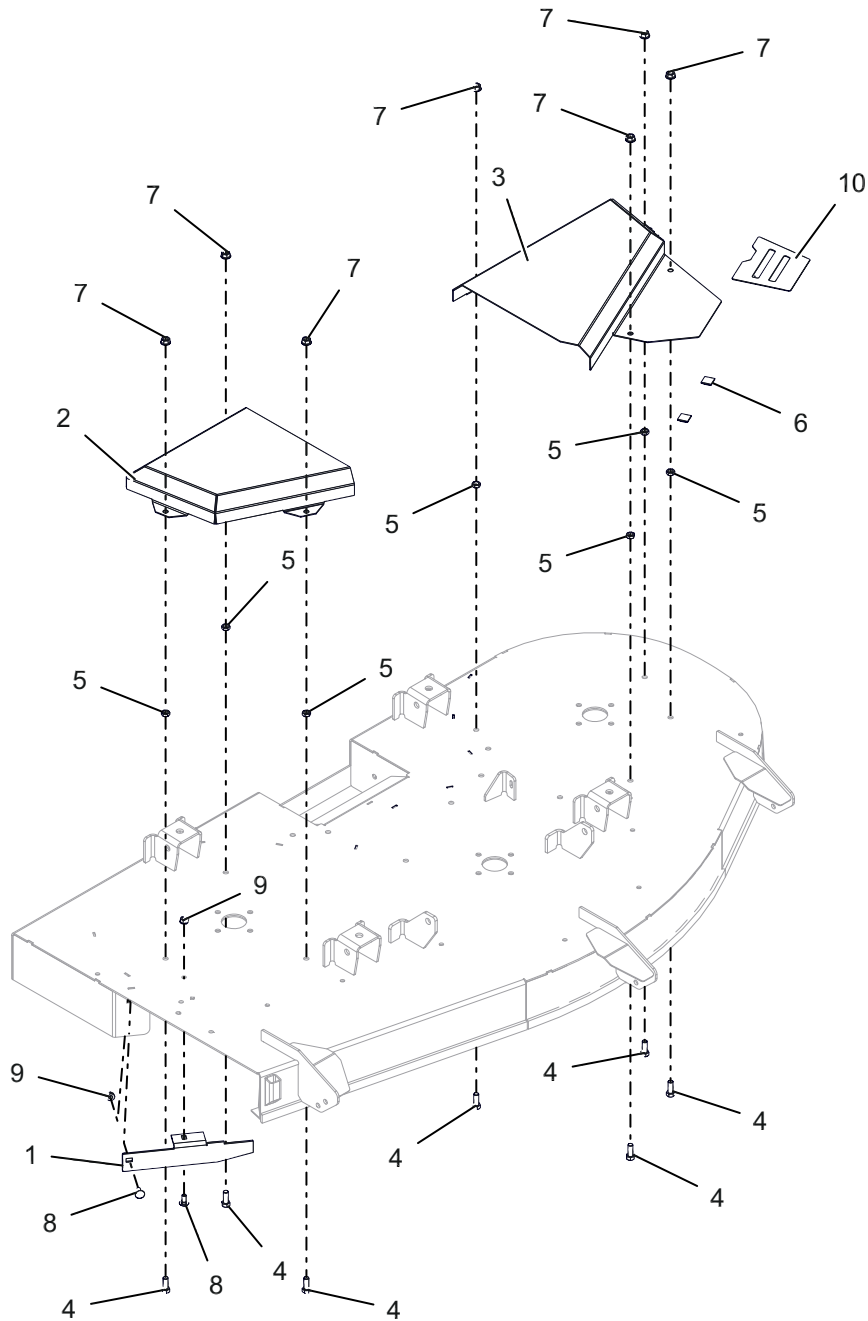
Model 915258, 263



BOM ID	Number	Qty	Description
1	04771653	1	STRIP, DEFLECTOR
2	05294053	1	COVER, LH BELT - 52" (RED)
3	05294153	1	COVER, RH BELT - 52" (RED)
4	06200232	2	BTL,RHSN .313-18 X 0.75 G5 ZCC
5	06500904	2	NUT, FLG-TOP LK .312-18 GR5 ZCC
6	07400122	6	SCR-TAP .25-20X.50 HWH ZCC
7	07400126	8	SCR-TAP .38-16X.500 HWH ZCC
8	07400124	1	SCR-TAP .312-18X.50 HWH ZCC

BELT COVERS AND BAFFLE – 60"

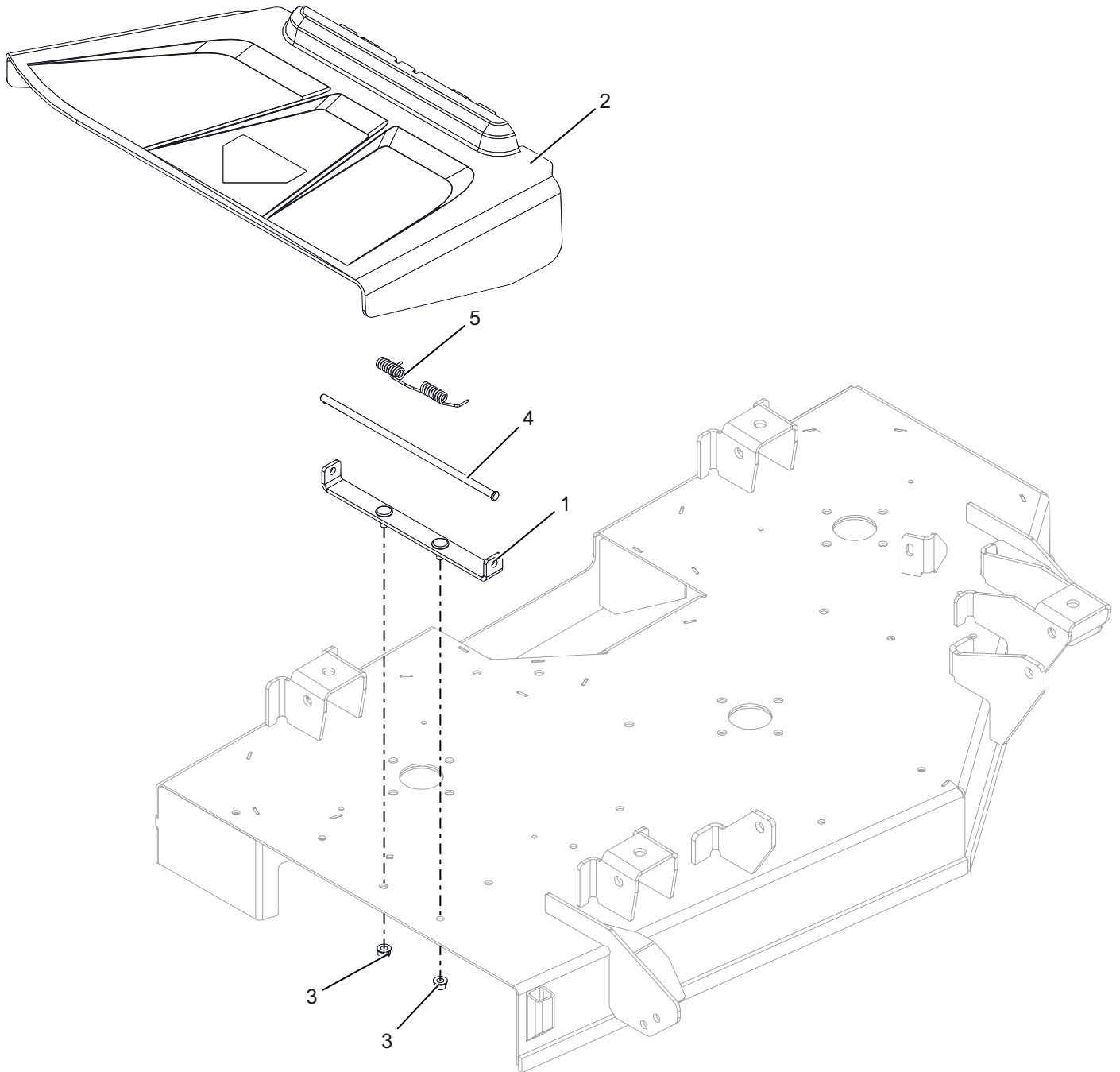
Model 915264



BOM ID	Number	Qty	Description
1	04995253	1	BAFFLE, DISCHARGE - 60" (RED)
2	04997053	1	COVER, RH BELT - 60" (RED)
3	04997153	1	COVER, LH BELT - 60" (RED)
4	05901711	7	BLT, HEX 0.375-16X1 GR5 ZC120
5	06500910	7	NUT-JAM .375-16 GR2 ZCC
6	07525100	2	STOP,
7	06500901	7	NUT, FLG-CTR LK .375-16 GR5 ZC120
8	06200232	2	BTL,RHSN .313-18 X 0.75 G5 ZCC
9	06500904	2	NUT, FLG-TOP LK .312-18 GR5 ZCC
10	05160100	1	GRIP, TAPE 52-60 BELT COVER

DISCHARGE CHUTE

Model All



BOM ID	Number	Qty	Description
1	04799800	1	WLDMT,
2	04795000	1	CHUTE, SIDE DISCHARGE
3	06500904	2	NUT, FLG-TOP LK .312-18 GR5 ZCC
4	06800205	1	PIN, SLIC-.312X10.45
5	08300621	1	SPRG, TORSION .35 ID (CHUTE)



655 West Ryan Street
Brillion, WI 54110

gravelly.com



ARIENS|CO