



Pro-Turn 600

Parts Manual

Models:

992500 – Pro-Turn 652
(SN 004000 +)

992501 – Pro-Turn 660
(SN 004000 +)

992502 – Pro-Turn 672
(SN 004000 +)

992503 – Pro-Turn 660 EFI
(SN 004000 +)

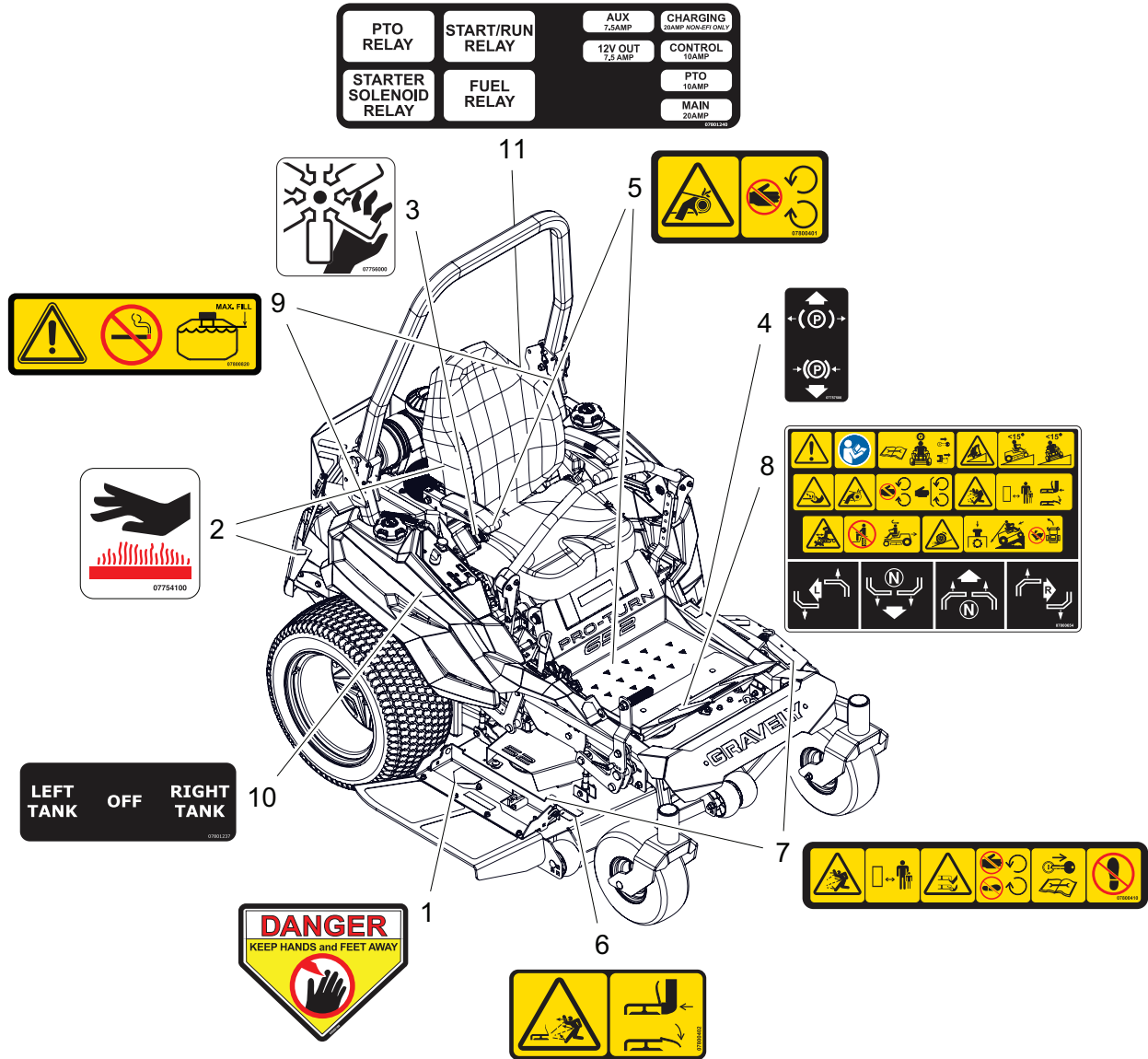
992504 – Pro-Turn 672 EFI
(SN 004000 +)

TABLE OF CONTENTS

Decals – Safety	3	Electrical – Kawasaki – EFI.....	25
Decals – Style – 52"	4	Continuity Diagram.....	26
Decals – Style – 60"	5	Wiring Diagram	27
Decals – Style – 72"	6	Wiring Diagram – EFI Adapter	28
Frame, Front Bumper, and Battery Tray – 52" and 60"	7	Steering Controls	29
Frame, Front Bumper, and Battery Tray – 72"	8	Park Brake – Upper.....	30
Engine – Kawasaki FX850	9	Park Brake – Lower.....	31
Engine – Kawasaki FX1000	10	ROPS	32
Engine – Kawasaki FX1000 EFI.....	11	Deck Lift – 52" and 60".....	33
Seat – Upper Shock	12	Deck Lift – 72"	34
Seat – Lower Shock	13	Deck Lift – Height of Cut	35
Seat – Footrest.....	14	Deck, Spindles, Belts, and Blades – 52"	36
Rear Bumper	15	Deck, Spindles, Belts, and Blades – 60"	37
Casters and Drive Wheels.....	16	Deck, Spindles, Belts, and Blades – 72"	38
Transaxles	17	Deck Drive Idlers – 52" and 60"	39
Transaxle Drive	18	Deck Drive Idlers – 72"	40
Fuel Tanks – Kawasaki – Non-EFI	19	Anti-Scalp Wheels and Deck Stops – 52" and 60".....	41
Fuel Tanks – Kawasaki – EFI.....	20	Anti-Scalp Wheels, Baffles, and Deck Stops – 72"	42
Control Panel – Kawasaki FX850.....	21	Deck Stabilizer Arms and Belt Guards – 52" and 60"	43
Control Panel – Kawasaki FX1000.....	22	Deck Stabilizer Arms and Belt Guards – 72"	44
Control Panel – Kawasaki FX1000 EFI	23	Discharge Chute	45
Electrical – Kawasaki – Non-EFI	24		

DECALS – SAFETY

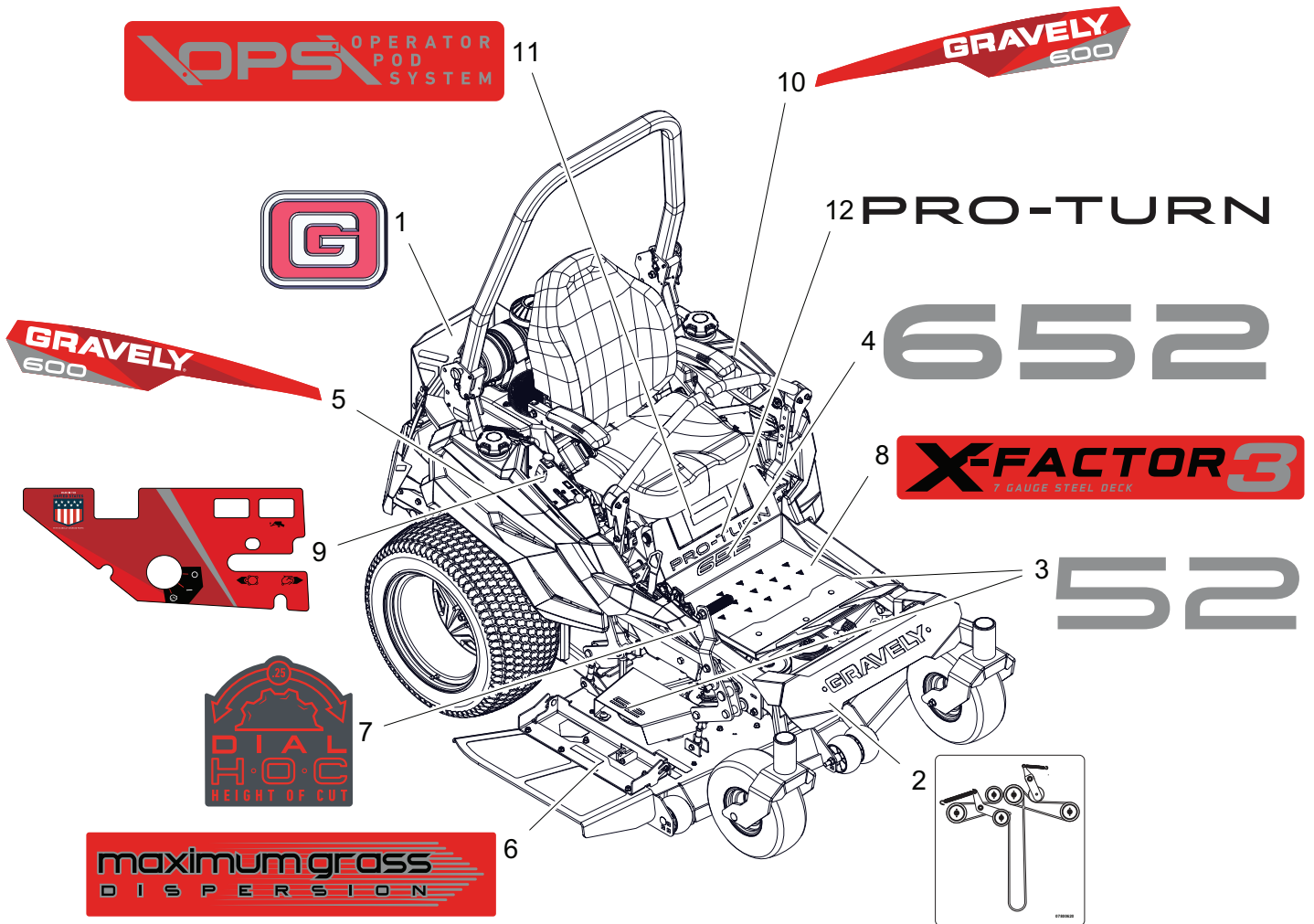
Model All



BOM ID	Number	Qty	Description
1	02988100	1	DECAL, DANGER
2	07754100	2	DECAL, HOT SURFACE
3	07756000	1	DECAL, DANGER - FAN
4	07757500	1	DECAL, PARKING BRAKE LEVER
5	07800401	2	DECAL, SAFETY - GUARDING
6	07800402	1	DECAL, SAFETY - DECK GUARDING
7	07800410	2	DECAL, DECK SAFETY
8	07800654	1	DECAL, INSTRUCTION SAFETY
9	07800820	2	DECAL, FUEL WARNING
10	07801237	1	DECAL, FUEL VALVE
11	07801240	1	DECAL, FUSE BOX - PT600

DECALS – STYLE – 52"

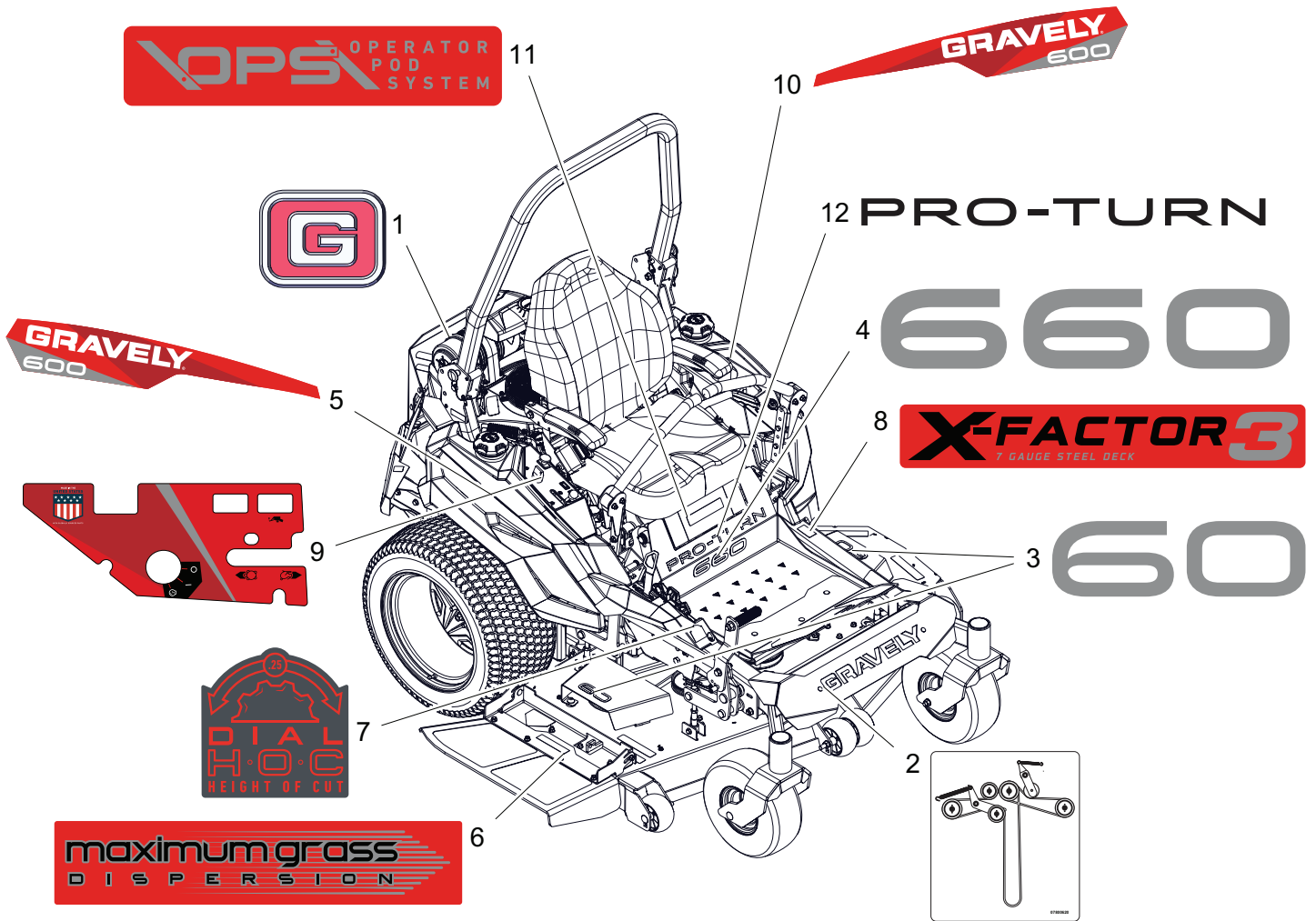
Model 992500



BOM ID	Number	Qty	Description
1	07800534	1	DECAL, GRAVELY BRAND
2	07800620	1	DECAL, BELT ROUTE RH BK SIDE IDLER
3	07801124	2	DECAL, DECK - 52
4	07801225	1	DECAL, PT652
5	07801228	1	DECAL, GRAVELY TANK - RH
6	07801229	1	DECAL, DECK - MAX GRASS
7	07801230	1	DECAL, COVER - HOC
8	07801232	1	DECAL, DECK - X-FACTOR 3
9	07801233	1	DECAL, CONTROL PANEL
10	07801234	1	DECAL, GRAVELY TANK - LH
11	07801235	1	DECAL, OPS
12	07801236	1	DECAL, PRO TURN

DECALS – STYLE – 60"

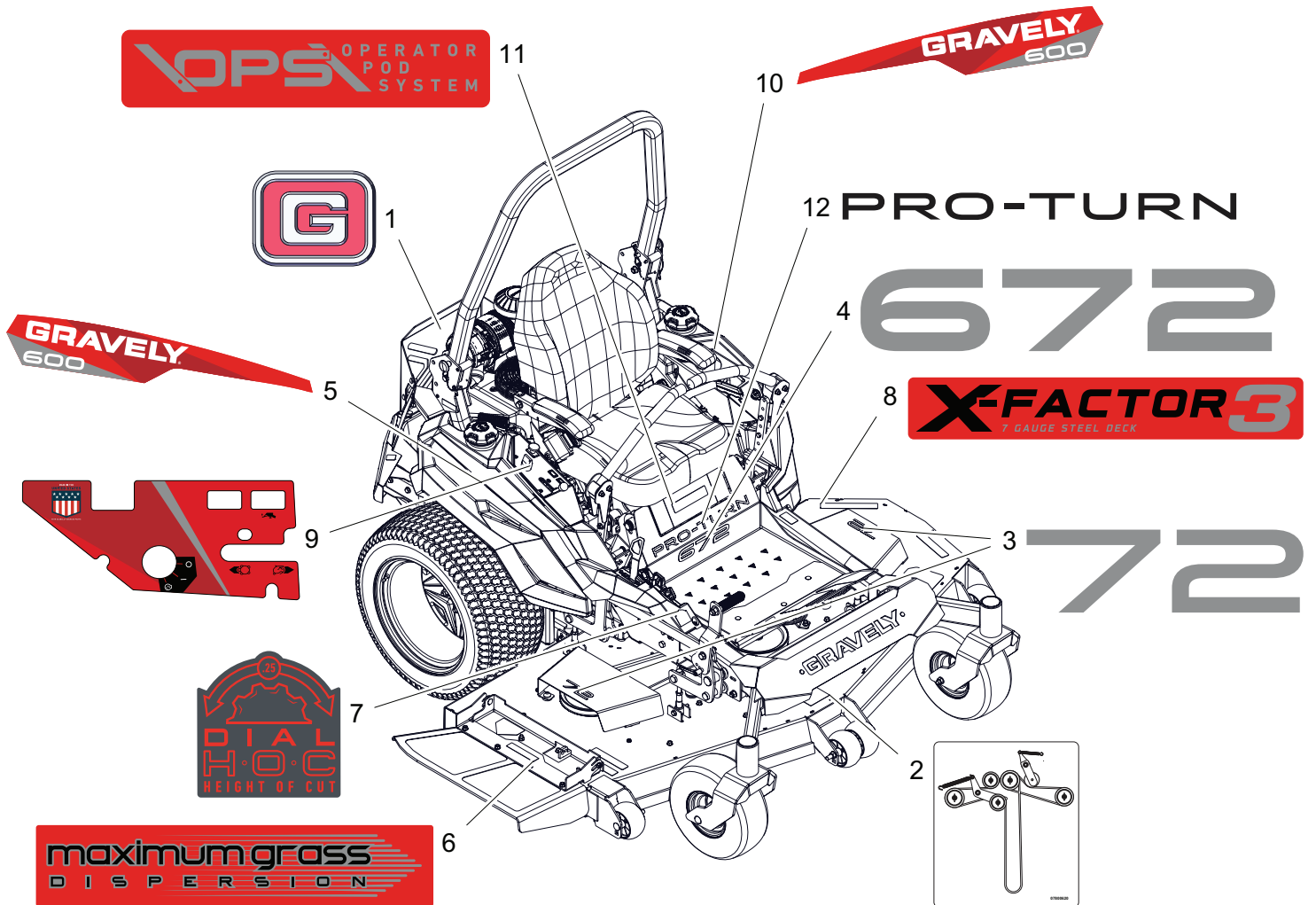
Model 992501, 503



BOM ID	Number	Qty	Description
1	07800534	1	DECAL, GRAVELY BRAND
2	07800620	1	DECAL, BELT ROUTE RH BK SIDE IDLER
3	07801125	2	DECAL, DECK - 60
4	07801226	1	DECAL, PT660
5	07801228	1	DECAL, GRAVELY TANK - RH
6	07801229	1	DECAL, DECK - MAX GRASS
7	07801230	1	DECAL, COVER - HOC
8	07801232	1	DECAL, DECK - X-FACTOR 3
9	07801233	1	DECAL, CONTROL PANEL
10	07801234	1	DECAL, GRAVELY TANK - LH
11	07801235	1	DECAL, OPS
12	07801236	1	DECAL, PRO TURN

DECALS – STYLE – 72"

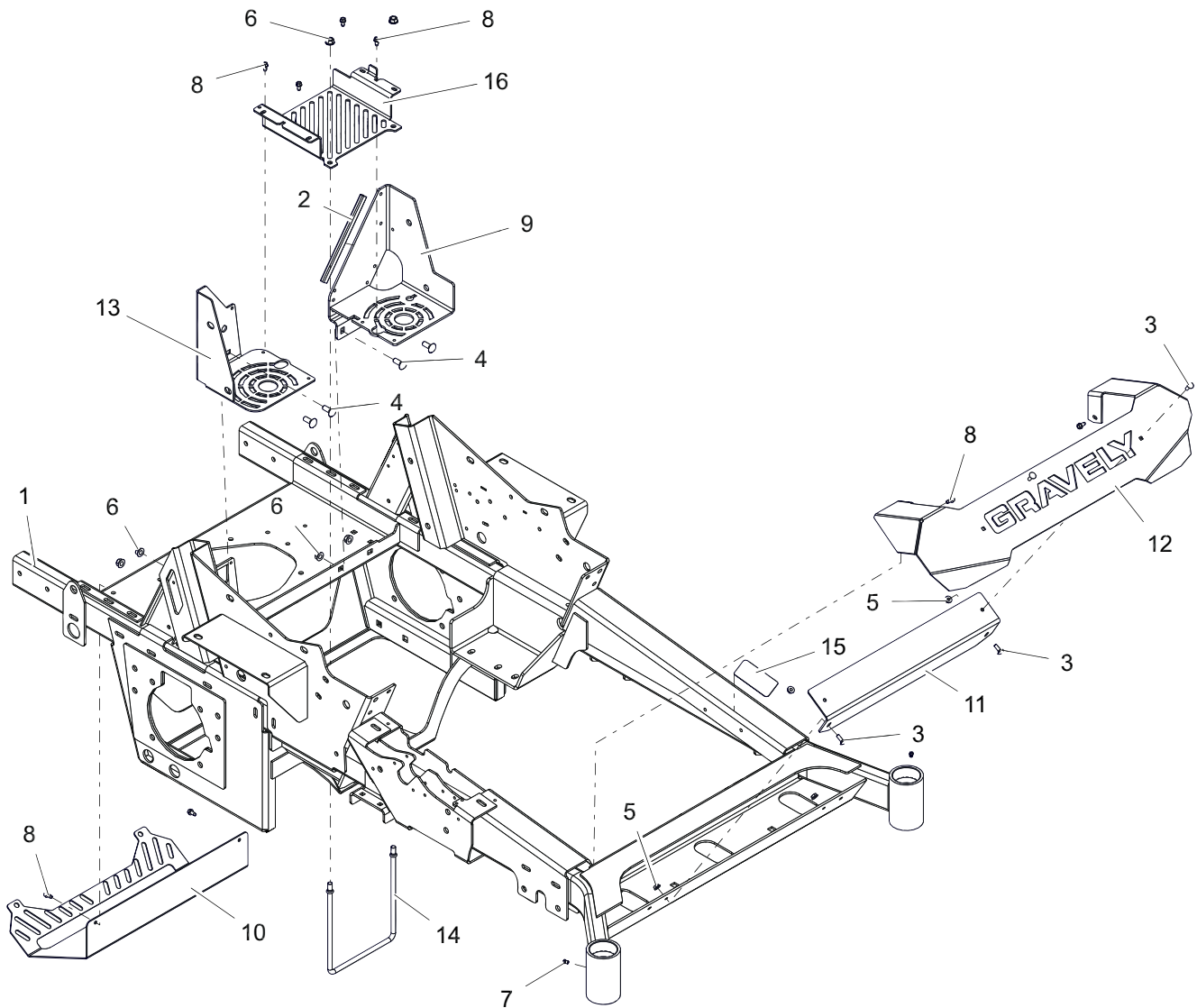
Model 992502, 504



BOM ID	Number	Qty	Description
1	07800534	1	DECAL, GRAVELY BRAND
2	07800620	1	DECAL, BELT ROUTE RH BK SIDE IDLER
3	07801231	2	DECAL, DECK - 72
4	07801227	1	DECAL, PT672
5	07801228	1	DECAL, GRAVELY TANK - RH
6	07801229	1	DECAL, DECK - MAX GRASS
7	07801230	1	DECAL, COVER - HOC
8	07801232	1	DECAL, DECK - X-FACTOR 3
9	07801233	1	DECAL, CONTROL PANEL
10	07801234	1	DECAL, GRAVELY TANK - LH
11	07801235	1	DECAL, OPS
12	07801236	1	DECAL, PRO TURN

FRAME, FRONT BUMPER, AND BATTERY TRAY – 52" AND 60"

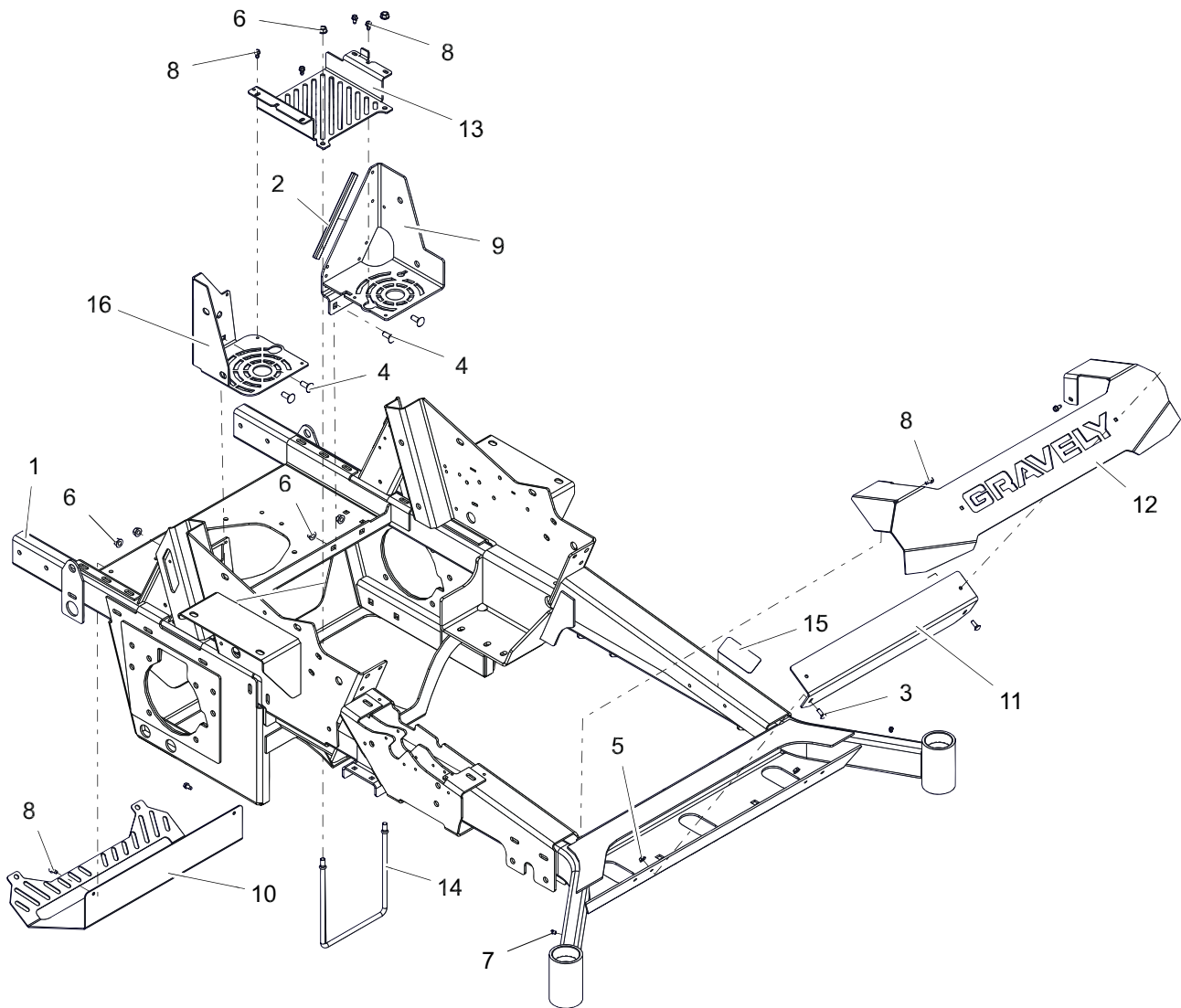
Model 992500, 501, 503



BOM ID	Number	Qty	Description
1	09363853	1	WLDMT, 48", 52", 60" FRAME (RED)
2	00918200	1	STRIP, COWL - 8.00 LG
3	06200307	4	BTL,RHSN .250-20 X 0.75 G5 ZCC
4	06200313	4	BTL,RHSN .375-16 X 1 G5 ZCC
5	06500821	4	NUT, FLG-CTR LK .250-20 GR5 ZC120
6	06500901	6	NUT, FLG-CTR LK .375-16 GR5 ZC120
7	07001727	2	FITTING, .250-28 FLUSH MOUNT GREASE
8	07400122	8	SCR-TAP .25-20X.50 HWH ZCC
9	09670753	1	GUSSET, LH BATTERY TRAY/ROPS (RED)
10	09375151	1	GUARD, MUFFLER (BLACK)
11	09375251	1	BRKT, FRONT BUMPER MTG/BACKER (BLACK)
12	09375353	1	BMPR, 48" 52" 60" FRONT (RED)
13	09670853	1	GUSSET, RH FAN GUARD/ROPS (RED)
14	03975800	1	ROD, BRAKE MTG
15	09390700	1	ANTI-SKID, FRAME STEP
16	09494753	1	TRAY, BATTERY (RED)

FRAME, FRONT BUMPER, AND BATTERY TRAY – 72"

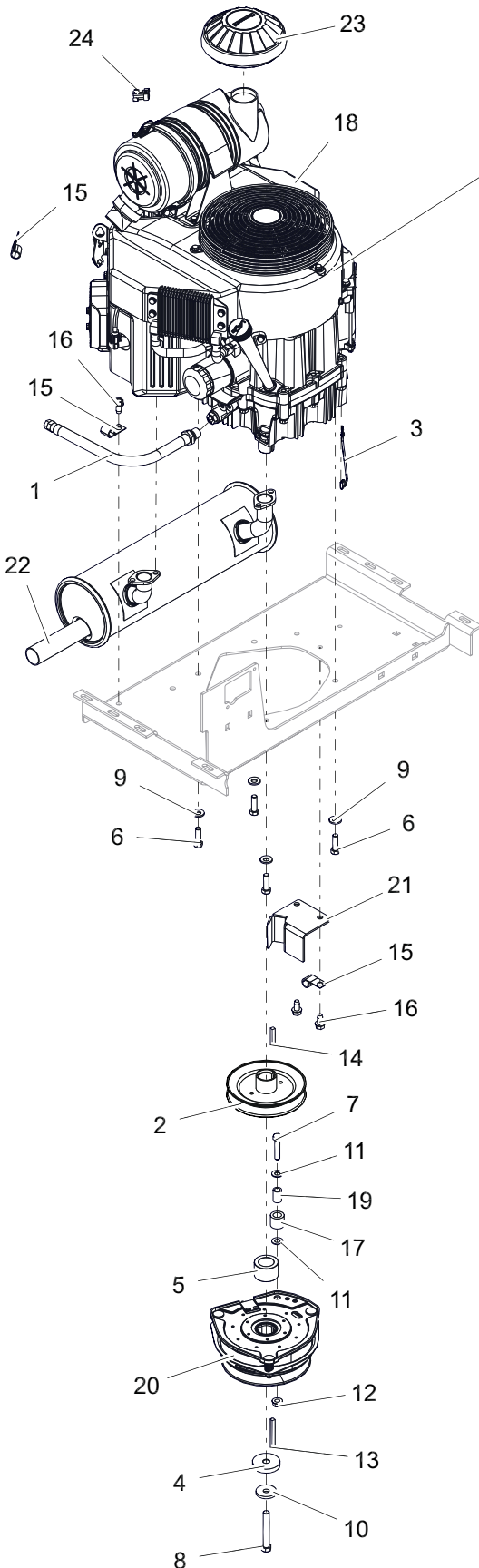
Model 992502, 504



BOM ID	Number	Qty	Description
1	09363953	1	WLDMT, MACH ONE, 72" FRAME (RED)
2	00918200	1	STRIP, COWL - 8.00 LG
3	06200307	2	BTL,RHSN .250-20 X 0.75 G5 ZCC
4	06200313	4	BTL,RHSN .375-16 X 1 G5 ZCC
5	06500821	2	NUT, FLG-CTR LK .250-20 GR5 ZC120
6	06500901	6	NUT, FLG-CTR LK .375-16 GR5 ZC120
7	07001727	2	FITTING, .250-28 FLUSH MOUNT GREASE
8	07400122	8	SCR-TAP .25-20X.50 HWH ZCC
9	09670753	1	GUSSET, LH BATTERY TRAY/ROPS (RED)
10	09375151	1	GUARD, MUFFLER (BLACK)
11	09375251	1	BRKT, FRONT BUMPER MTG/BACKER (BLACK)
12	09375453	1	BMPR, MACH 1 & 72" FRONT (RED)
13	09494753	1	TRAY, BATTERY (RED)
14	03975800	1	ROD, BRAKE MTG
15	09390700	1	ANTI-SKID, FRAME STEP
16	09670853	1	GUSSET, RH FAN GUARD/ROPS (RED)

ENGINE – KAWASAKI FX850

Model 992500

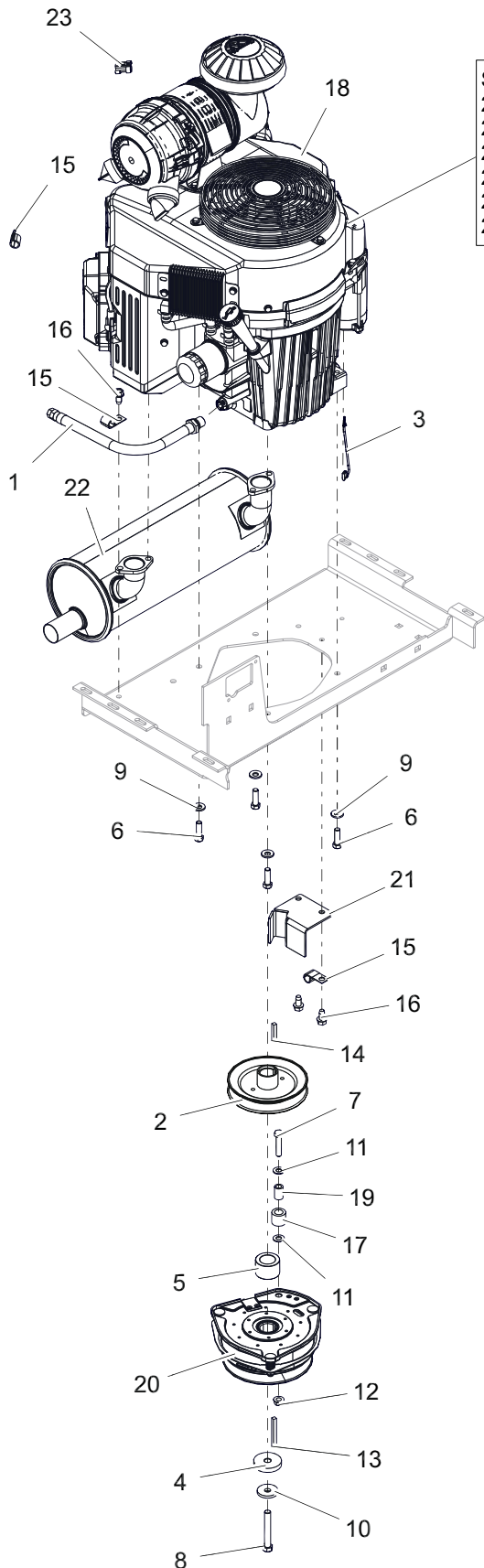


SERVICE PARTS:
 21548800 - AIR FILTER OUTER
 21548700 - AIR FILTER INNER
 21535800 - OIL FILTER
 21538400 - FUEL FILTER
 21536100 - SPARK PLUG (2) REQUIRED
 M136651 - MUFFLER GASKET (2) REQUIRED
 06500919 - M8 TOP LOCK FLANGE NUT (4) REQUIRED

BOM ID	Number	Qty	Description
1	07001731	1	HOSE, OIL DRAIN
2	09374300	1	WLDMT, TRANSAXLE DRIVE PULLEY
3	03286700	1	LEAD, STARTER
4	05501240	1	SPCR, .474/.459 X 2.00 X .350
5	05501427	1	SPCR, 1.125 x 1.750 x 1.147
6	05901808	4	BLT, HEX 0.375-16X1.25 GR5 ZCC NT
7	05901809	1	BLT, HEX 0.375-16X1.75 GR5 ZCC
8	05901819	1	BLT, HEX 0.4375-20X3 G8 ZCC NT
9	06400927	4	WSHR, 3/8" SPRING DISC
10	06400936	1	WSHR, 7/16" SPRING DISC
11	06401013	2	WSHR-FL-STL 0.406X0.812X0.065 ZC120
12	06500901	1	NUT, FLG-CTR LK .375-16 GR5 ZC120
13	06602600	1	KEY, SQ .25 X 2.50 X .25 SAE
14	06604300	1	KEY, SQ .250 X .250 X 1.500
15	06916000	3	J-CLAMP
16	07400129	3	SCR-TAP .38-16X.75 HWH ZCC
17	07500007	1	BUMPER, RUBBER .62 X 1.0 X .88 LG
18	08200724	1	ENGINE, KAWASAKI FX850
19	08833400	1	SPACER SLEEVED
20	09153900	1	CLUTCH, OGURA GT3.5-AR04
21	09377051	1	WLDMT, CLUTCH STOP (BLACK)
22	09386000	1	MUFFLER, KAWASAKI FX850
23	09408700	1	CAP, AIR CLEANER INTAKE (2")
24	07001712	1	CLIP, T, .38-.50

ENGINE – KAWASAKI FX1000

Model 992501, 502

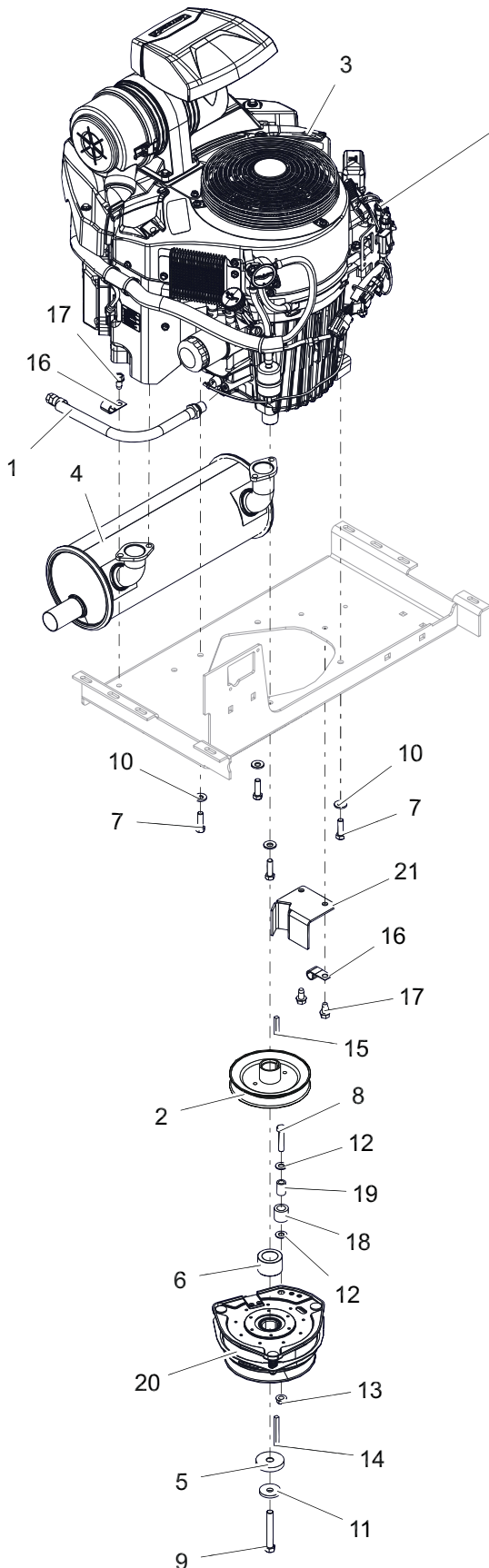


SERVICE PARTS:
 21548800 - AIR FILTER OUTER
 21548700 - AIR FILTER INNER
 21535800 - OIL FILTER
 21538400 - FUEL FILTER
 21536100 - SPARK PLUG (2) REQ'D
 21550337 - EXHAUST GASKET (2) REQ'D

BOM ID	Number	Qty	Description
1	07001731	1	HOSE, OIL DRAIN
2	09374300	1	WLDMT, TRANSAXLE DRIVE PULLEY
3	03286700	1	LEAD, STARTER
4	05501240	1	SPCR, .474/.459 X 2.00 X .350
5	05501427	1	SPCR, 1.125 x 1.750 x 1.147
6	05901808	4	BLT, HEX 0.375-16X1.25 GR5 ZCC NT
7	05901809	1	BLT, HEX 0.375-16X1.75 GR5 ZCC
8	05901819	1	BLT, HEX 0.4375-20X3 G8 ZCC NT
9	06400927	4	WSHR, 3/8" SPRING DISC
10	06400936	1	WSHR, 7/16" SPRING DISC
11	06401013	2	WSHR-FL-STL 0.406X0.812X0.065 ZC120
12	06500901	1	NUT, FLG-CTR LK .375-16 GR5 ZC120
13	06602600	1	KEY, SQ .25 X 2.50 X .25 SAE
14	06604300	1	KEY, SQ .250 X .250 X 1.500
15	06916000	3	J-CLAMP
16	07400129	3	SCR-TAP .38-16X.75 HWH ZCC
17	07500007	1	BUMPER, RUBBER .62 X 1.0 X .88 LG
18	08201002	1	ENGINE, KAWASAKI
19	08833400	1	SPACER SLEEVED
20	09153900	1	CLUTCH, OGURA GT3.5-AR04
21	09377051	1	WLDMT, CLUTCH STOP (BLACK)
22	04263000	1	MUFFLER, 34HP KAWASAKI VERT
23	07001712	1	CLIP, T, .38-.50

ENGINE – KAWASAKI FX1000 EFI

Model 992503, 504



SERVICE PARTS:
 21548800 - AIR FILTER OUTER
 21548700 - AIR FILTER INNER
 21535800 - OIL FILTER
 21573800 - FUEL FILTER
 21540800 - SPARK PLUG (2) REQUIRED
 21550337 - MUFFLER GASKET (2) REQUIRED

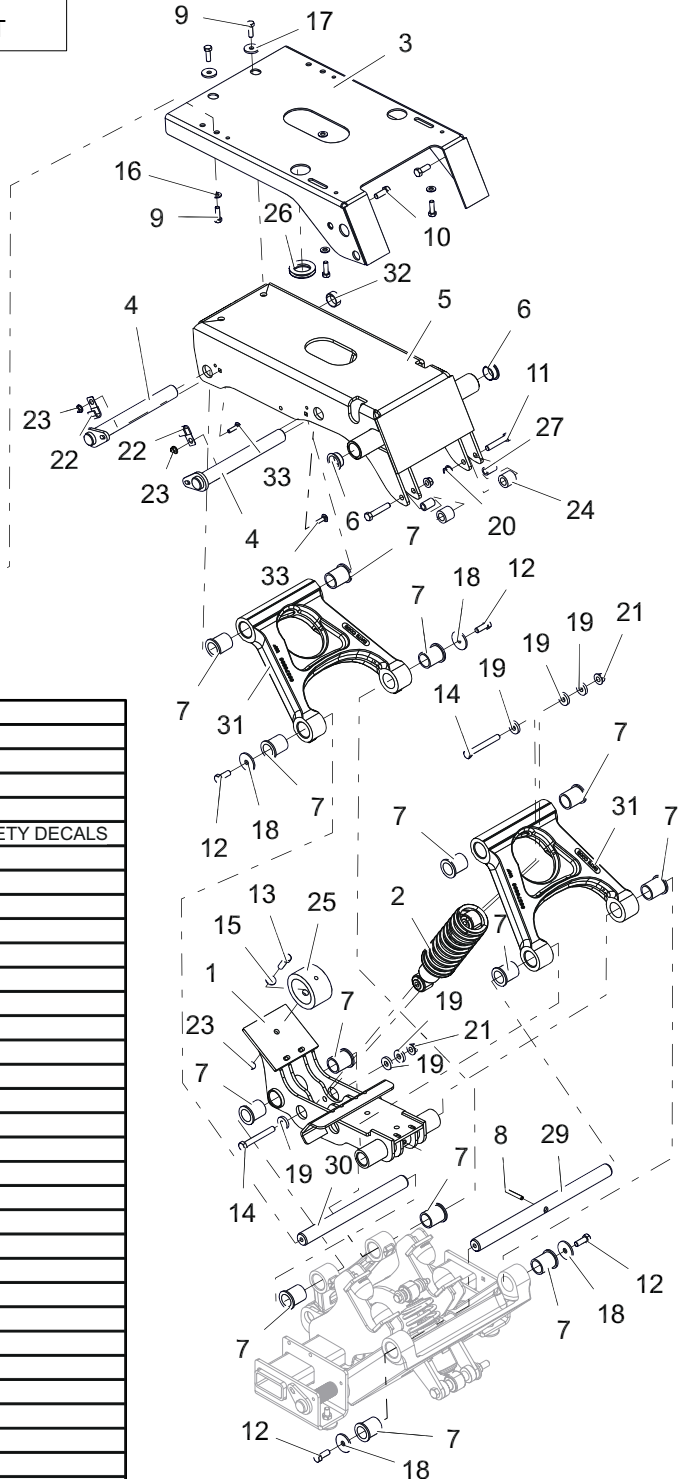
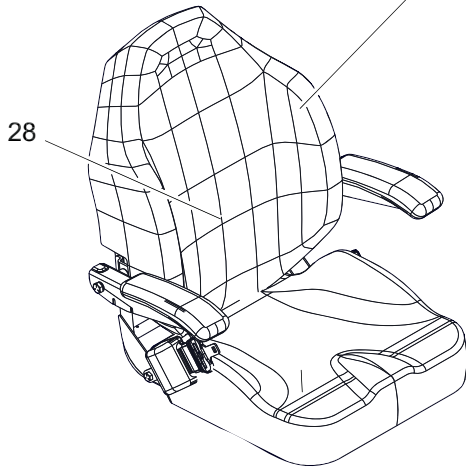
BOM ID	Number	Qty	Description
1	07001731	1	HOSE, OIL DRAIN
2	09374300	1	WLDMT, TRANSAXLE DRIVE PULLEY
3	08201414	1	ENGINE, KAWASAKI FX1000 EFI
4	04263000	1	MUFFLER, 34HP KAWASAKI VERT
5	05501240	1	SPCR, .474/.459 X 2.00 X .350
6	05501427	1	SPCR, 1.125 x 1.750 x 1.147
7	05901808	4	BLT, HEX 0.375-16X1.25 GR5 ZCC NT
8	05901809	1	BLT, HEX 0.375-16X1.75 GR5 ZCC
9	05901819	1	BLT, HEX 0.4375-20X3 G8 ZCC NT
10	06400927	4	WSHR, 3/8" SPRING DISC
11	06400936	1	WSHR, 7/16" SPRING DISC
12	06401013	2	WSHR-FL-STL 0.406X0.812X0.065 ZC120
13	06500901	1	NUT, FLG-CTR LK .375-16 GR5 ZC120
14	06602600	1	KEY, SQ .25 X 2.50 X .25 SAE
15	06604300	1	KEY, SQ .250 X .250 X 1.500
16	06916000	2	J-CLAMP
17	07400129	3	SCR-TAP .38-16X.75 HWH ZCC
18	07500007	1	BUMPER, RUBBER .62 X 1.0 X .88 LG
19	08833400	1	SPACER SLEEVED
20	09153900	1	CLUTCH, OGURA GT3.5-AR04
21	09377051	1	WLDMT, CLUTCH STOP (BLACK)

SEAT – UPPER SHOCK

Model All

SERVICE PARTS:

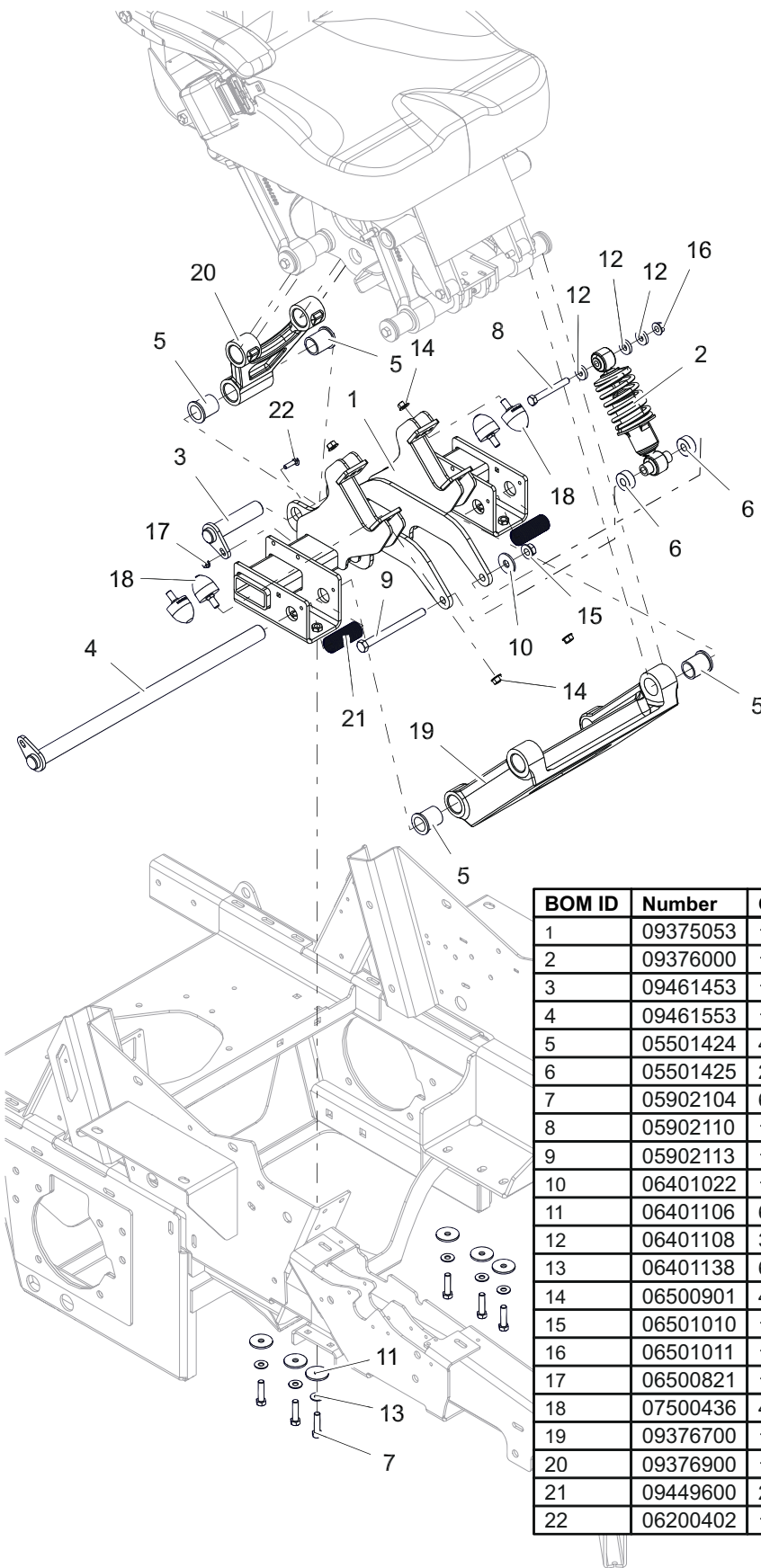
- 02754100 - SEAT SWITCH
- 21552000 - LH ARMREST PAD
- 21560900 - RH ARMREST PAD
- 21558000 - RH ARMREST ASM
- 21558100 - LH ARM REST ASM
- 21558200 - RH & LH ARMREST ASM SET



BOM ID	Number	Qty	Description
1	09372451	1	MACHINED, SUSPENSION MID LINK (BLACK)
2	09375900	1	SHOCK, UPPER - TENNECO
3	09671953	1	WLDMT, SEAT MOUNT (RED)
4	09461653	2	WLDMT, UPPER PIVOT SHAFT (RED)
5	59228900	1	WLDMT, SEAT MOUNTING SUPPORT (RED) W/ SAFETY DECALS
6	05501124	2	BSHG, FLANGE 1.0x1.125x.50x1.375
7	05501424	14	BEARING, SINTERED BRONZE FLANGE
8	05803700	1	PIN-ROLL .250X1.75
9	05901701	6	BLT, HEX 0.3125-18X1 GR5 ZC120
10	05901711	2	BLT, HEX 0.375-16X1 GR5 ZC120
11	05901718	2	BLT, HEX 0.375-16X2 GR5 ZC120
12	05901721	4	BLT, HEX 0.375-16X1 GR5 EP30 ZC120
13	05901724	1	BLT, HEX 0.375-16X1.25 GR5 ZC120
14	05902110	2	BLT,HEX M10-1.5X80 G10.9 ZCC
15	06401013	1	WSHR-FL-STL 0.406X0.812X0.065 ZC120
16	06401017	4	WSHR-FL-STL 0.344X0.688X0.065 ZC120
17	06401104	2	WSHR-FL-STL 0.34X1.125X0.135 ZCC
18	06401106	4	WSHR-FL-STL 0.38X1.5X0.125 ZCC
19	06401108	6	WSHR-FL-STL 0.406X1X0.188 ZCC
20	06500901	2	NUT, FLG-CTR LK .375-16 GR5 ZC120
21	06501011	2	NUT, FLG-CTR LK M10-1.50 ZCC
22	06909400	2	CLAMP, J
23	06500821	3	NUT, FLG-CTR LK .250-20 GR5 ZC120
24	07500007	2	BUMPER, RUBBER .62 X 1.0 X .88 LG
25	07500435	1	BUMPER, RADIAL (GBR)
26	07536800	1	GROMMET, 1.25"
27	08833400	2	SPACER SLEEVED
28	09364200	1	SEAT, PT600
29	09375700	1	SHAFT, PIVOT
30	09375800	1	SHAFT, PIVOT
31	09376800	2	MACHINED, UPPER LINK
32	09385200	1	CAP, 1.000 ID X .375 DEEP
33	06200402	2	BTL,RHSN .250-20 X 1 G5 ZCC

SEAT – LOWER SHOCK

Model All

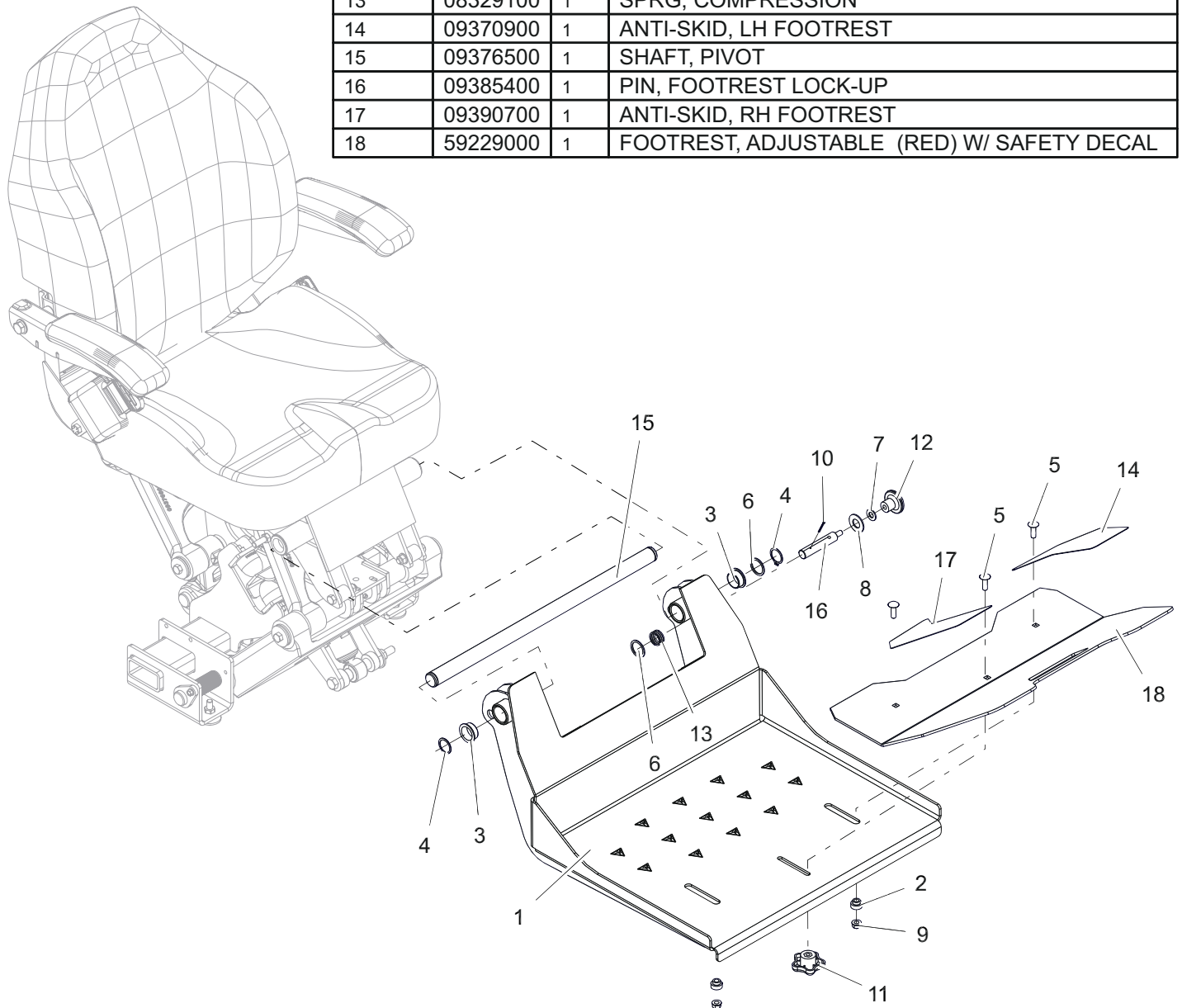


BOM ID	Number	Qty	Description
1	09375053	1	WLDMT, SUSPENSION MTG (RED)
2	09376000	1	SHOCK, LOWER - TENNECO
3	09461453	1	WLDMT, LOWER REAR PIVOT SHAFT (RED)
4	09461553	1	WLDMT, LOWER FRONT PIVOT SHAFT (RED)
5	05501424	4	BEARING, SINTERED BRONZE FLANGE
6	05501425	2	SPCR, .400 x 1.250 x .513
7	05902104	6	BLT, HEX 0.375-16X1.5 GR8 ZCC
8	05902110	1	BLT,HEX M10-1.5X80 G10.9 ZCC
9	05902113	1	BLT,HEX M12-1.75X140 G10.9 ZCC
10	06401022	1	WSHR-FL-STL 0.511X1.44X0.125 ZCC
11	06401106	6	WSHR-FL-STL 0.38X1.5X0.125 ZCC
12	06401108	3	WSHR-FL-STL 0.406X1X0.188 ZCC
13	06401138	6	WSHR, HDND 0.375X0.875X0.064 ZCC
14	06500901	4	NUT, FLG-CTR LK .375-16 GR5 ZC120
15	06501010	1	NUT, FLG-CTR LK M12-1.75 ZCC
16	06501011	1	NUT, FLG-CTR LK M10-1.50 ZCC
17	06500821	1	NUT, FLG-CTR LK .250-20 GR5 ZC120
18	07500436	4	BUMPER, CONICAL
19	09376700	1	MACHINED, FRONT LOWER LINK
20	09376900	1	MACHINED, REAR LOWER LINK
21	09449600	2	SLEEVE, SHAFT
22	06200402	1	BTL,RHSN .250-20 X 1 G5 ZCC

SEAT – FOOTREST

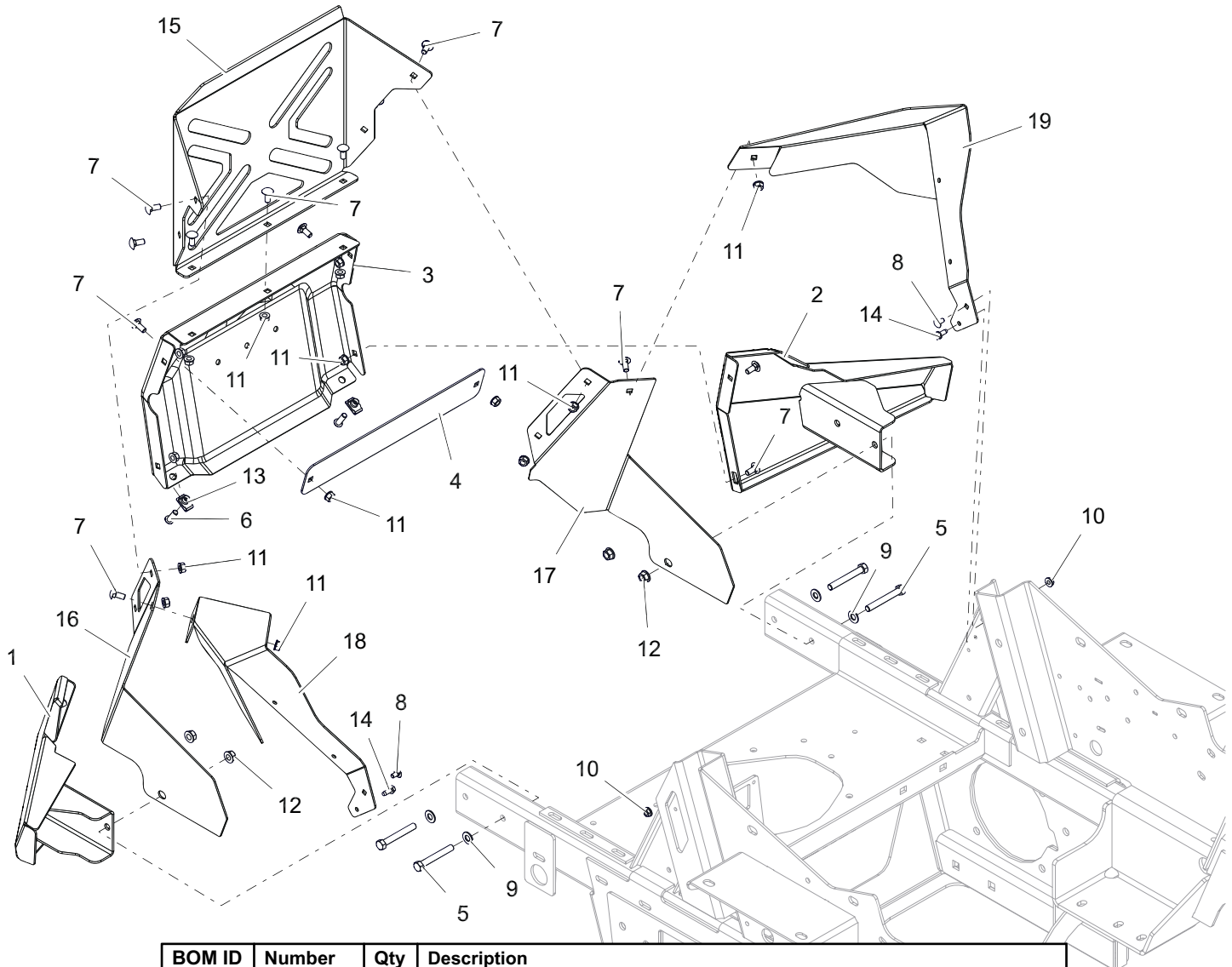
Model All

BOM ID	Number	Qty	Description
1	59230300	1	WLDMT, FOOTREST W/ SAFETY
2	05501114	2	SPCR, BRG .315X.500X.481X.281
3	05501124	2	BSHG, FLANGE 1.0x1.125x.50x1.375
4	05706200	2	RG-RTNG-EXT 1.00X.042
5	06200237	3	BTL,RHSSN .313-18 X 1 G5 ZCC
6	06401134	2	WSHR-FL-STL 1.01X1.25X0.068 ZCC
7	06401013	1	WSHR-FL-STL 0.406X0.812X0.065 ZC120
8	06401006	1	WSHR-FL-STL 0.649X1.305X0.074 Raw
9	06500840	2	NUT, FLG-CTR LK .312-18 GR5 ZCC
10	06700200	1	PIN, CTR .09X1.00 EXTPRSQCT ZCC
11	07500240	1	KNOB, LOCKING 5/16-18 UNC
12	07539900	1	KNOB, PUSH -PULL .312-18
13	08329100	1	SPRG, COMPRESSION
14	09370900	1	ANTI-SKID, LH FOOTREST
15	09376500	1	SHAFT, PIVOT
16	09385400	1	PIN, FOOTREST LOCK-UP
17	09390700	1	ANTI-SKID, RH FOOTREST
18	59229000	1	FOOTREST, ADJUSTABLE (RED) W/ SAFETY DECAL



REAR BUMPER

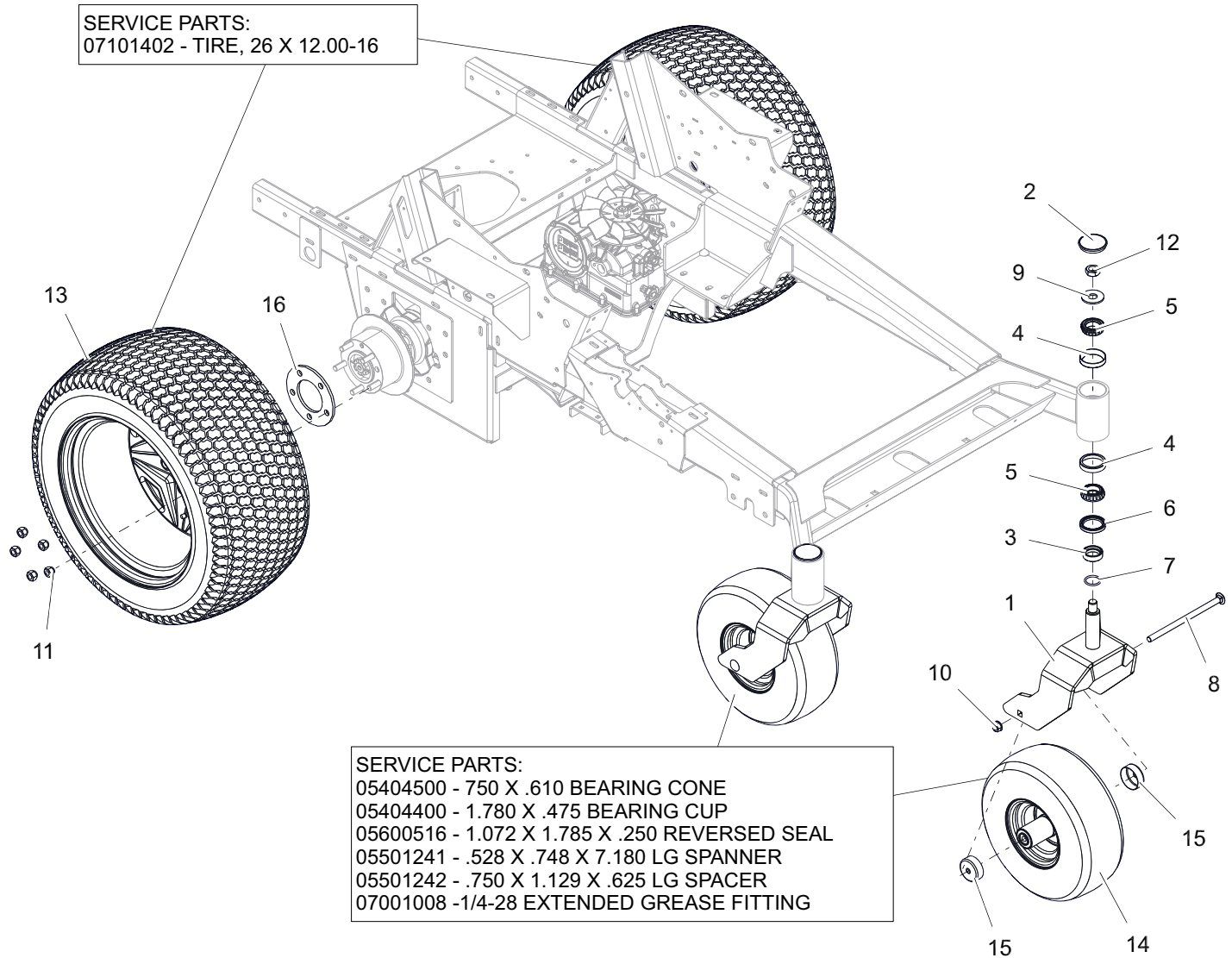
Model All



BOM ID	Number	Qty	Description
1	59229200	1	WLDMT, RIGHT REAR BUMPER WING (RED) W/ SAFETY DECALS
2	59229300	1	WLDMT, LEFT REAR BUMPER WING (RED) W/ SAFETY DECALS
3	04863453	1	BUMPER, PT200/400 REAR (RED)
4	04894851	1	PLATE, BACKER (BLACK)
5	05901611	4	BLT, HEX 0.375-16X2.75 GR5 ZC120
6	05901840	2	SCR,BTNHD .31-18X1.00 ZCC
7	06200232	15	BTL,RHSN .313-18 X 0.75 G5 ZCC
8	06200305	2	BTL,RHSSN .250-20 X 0.5 G5 ZCC
9	06401013	4	WSHR-FL-STL 0.406X0.812X0.065 ZC120
10	06500821	2	NUT, FLG-CTR LK .250-20 GR5 ZC120
11	06500840	15	NUT, FLG-CTR LK .312-18 GR5 ZCC
12	06500901	4	NUT, FLG-CTR LK .375-16 GR5 ZC120
13	07000829	2	NUT-CLIP RETAINER 5/16-18X.56
14	07400135	2	SCR-TAP .25-20X.625 HWH ZCC
15	09367251	1	WRAP, REAR - CENTER (BLACK)
16	09367353	1	WRAP, REAR - RH (RED)
17	09367453	1	WRAP, REAR LH (RED)
18	09367553	1	WRAP, SIDE - RH (RED)
19	09367653	1	WRAP, SIDE - LH (RED)

CASTERS AND DRIVE WHEELS

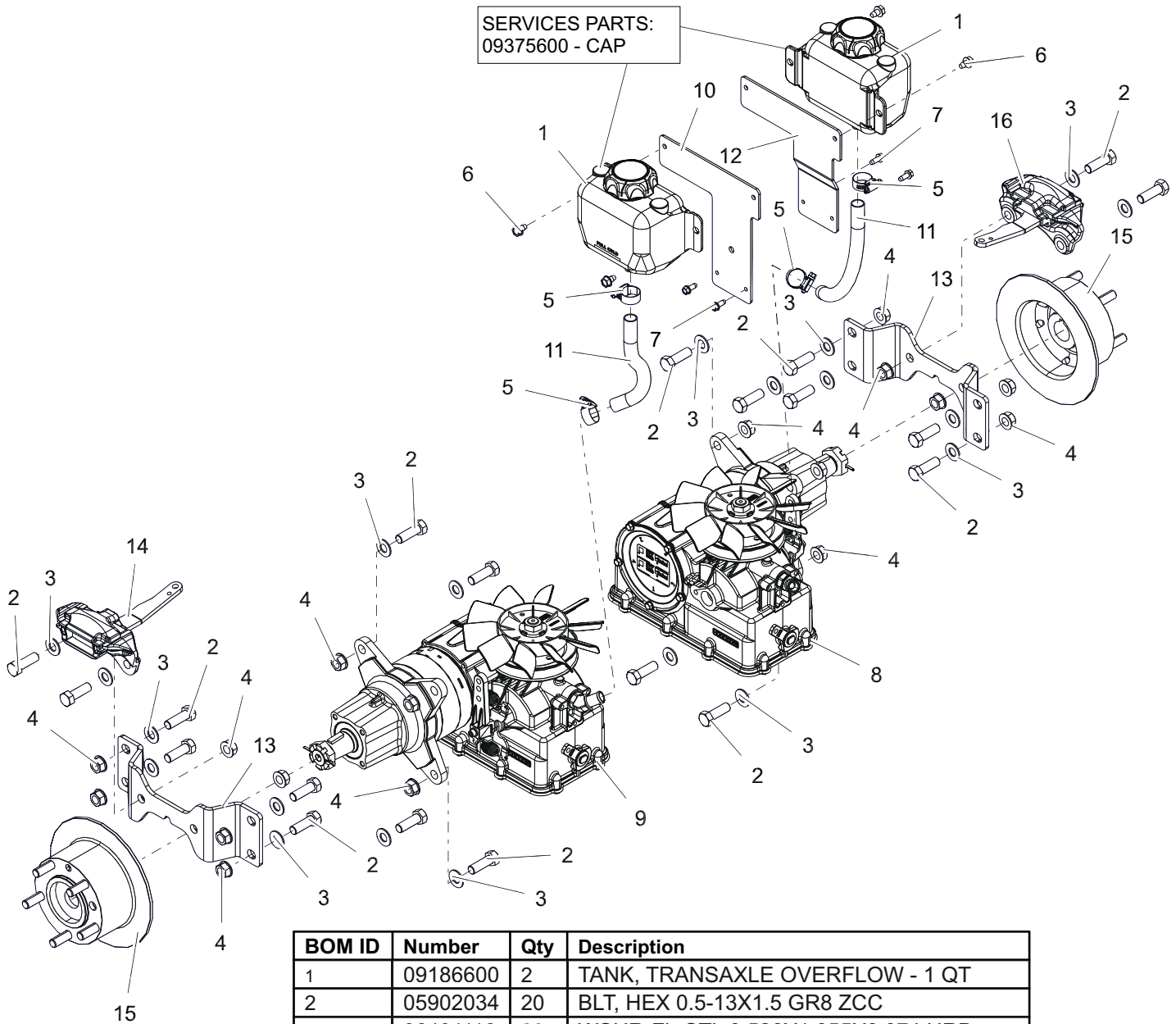
Model All



BOM ID	Number	Qty	Description
1	09372353	2	WLDMT, CASTER FORK (RED)
2	03925900	2	CAP, DUST
3	04861500	2	SPACER SLEEVED CASTER FORK
4	05404600	4	BRG, CUP 2.328 X .465
5	05404700	4	BRG, CONE 1.250 X .660
6	05600432	2	SEAL, OIL 1.75 X 2.332 X .312
7	05600515	2	O-RING, .139 W X 1.234 ID
8	06200322	2	BTL,RHSN .500-13 X 9 G5 ZCC
9	06401201	2	WSHR-FL-STL 0.812X2X0.148 ZCC
10	06500902	2	NUT, FLG-CTR LK .500-13 GF ZCC
11	06500926	10	NUT, WHEEL .500-20 ZCC
12	06500933	2	NUT, JAM-TOPLOCK .750-16 ZCC
13	07101401	2	ASM, WHEEL /TIRE 26 X 12.00-16
14	07101406	2	ASM, TIRE/WHEEL 15 X 6.00-6 SEMI
15	09357800	4	SHIELD, WHEEL BEARING
16	09425251	2	SPCR, PT600 WHEEL (BLACK)

TRANSAXLES

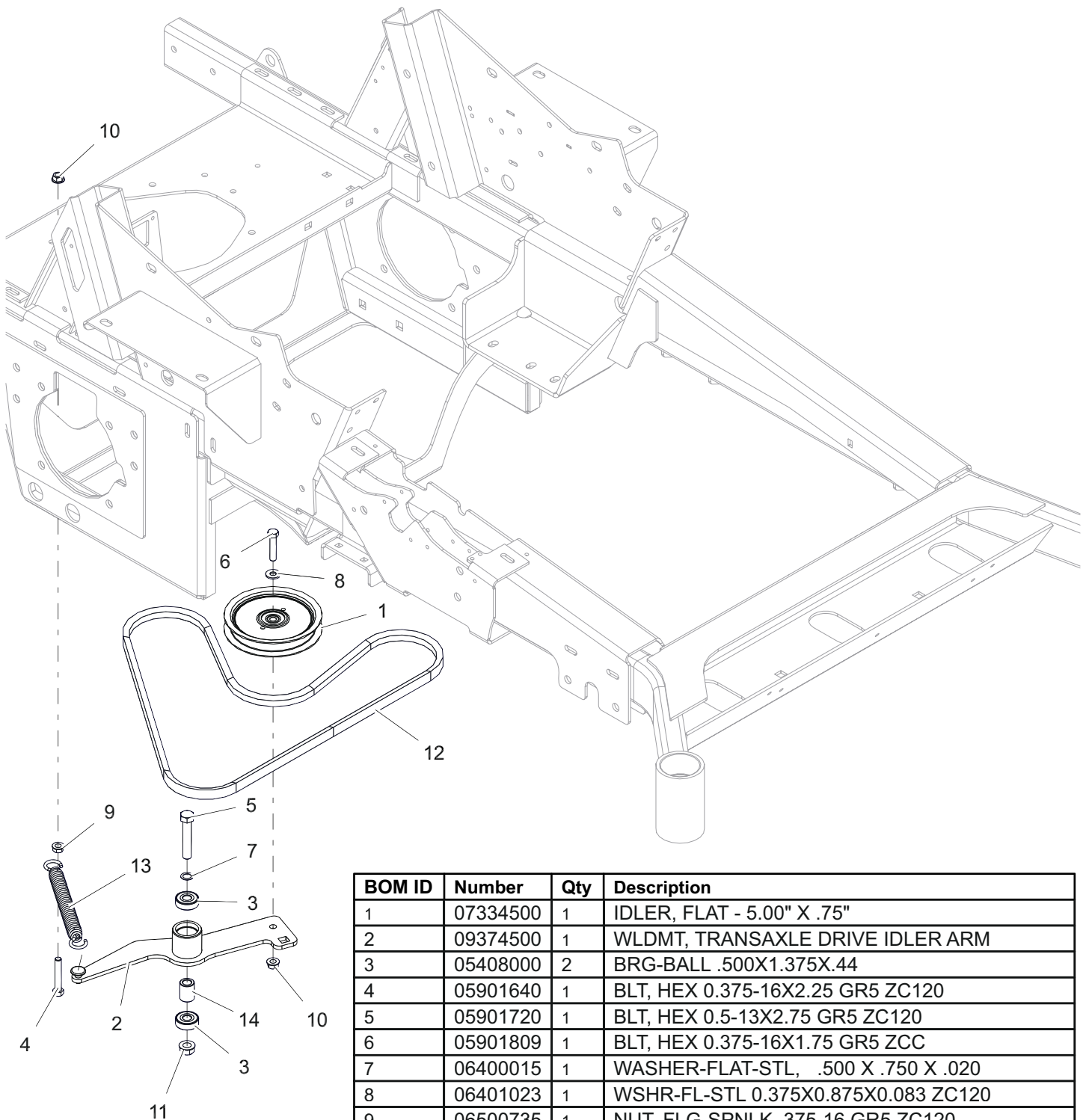
Model All



BOM ID	Number	Qty	Description
1	09186600	2	TANK, TRANSAXLE OVERFLOW - 1 QT
2	05902034	20	BLT, HEX 0.5-13X1.5 GR8 ZCC
3	06401116	20	WSHR-FL-STL 0.526X1.055X0.074 HRD
4	06501005	20	NUT, FLG-CTR LK .500-13 GG ZCC
5	06923500	4	CLAMP, HOSE - .88 DIA
6	07400124	4	SCR-TAP .312-18X.50 HWH ZCC
7	07400135	4	SCR-TAP .25-20X.625 HWH ZCC
8	09162900	1	TRANSAXLE, LH PARKER HTG13/30
9	09163000	1	TRANSAXLE, RH PARKER HTG13/130
10	09377951	1	BRKT, RH OVERFLOW TANK MTG (BLACK)
11	09385500	2	HOSE, PT600 TRANSAXLE OVERFLOW
12	09392151	1	BRKT, LH OVERFLOW TANK MTG (BLACK)
13	09427553	2	BRKT, CALIPER MTG (RED)
14	09427600	1	BRAKE, CALIPER RH
15	09427700	2	ROTOR, BRAKE W/STUDS
16	09427900	1	BRAKE, CALIPER LH

TRANSAXLE DRIVE

Model All

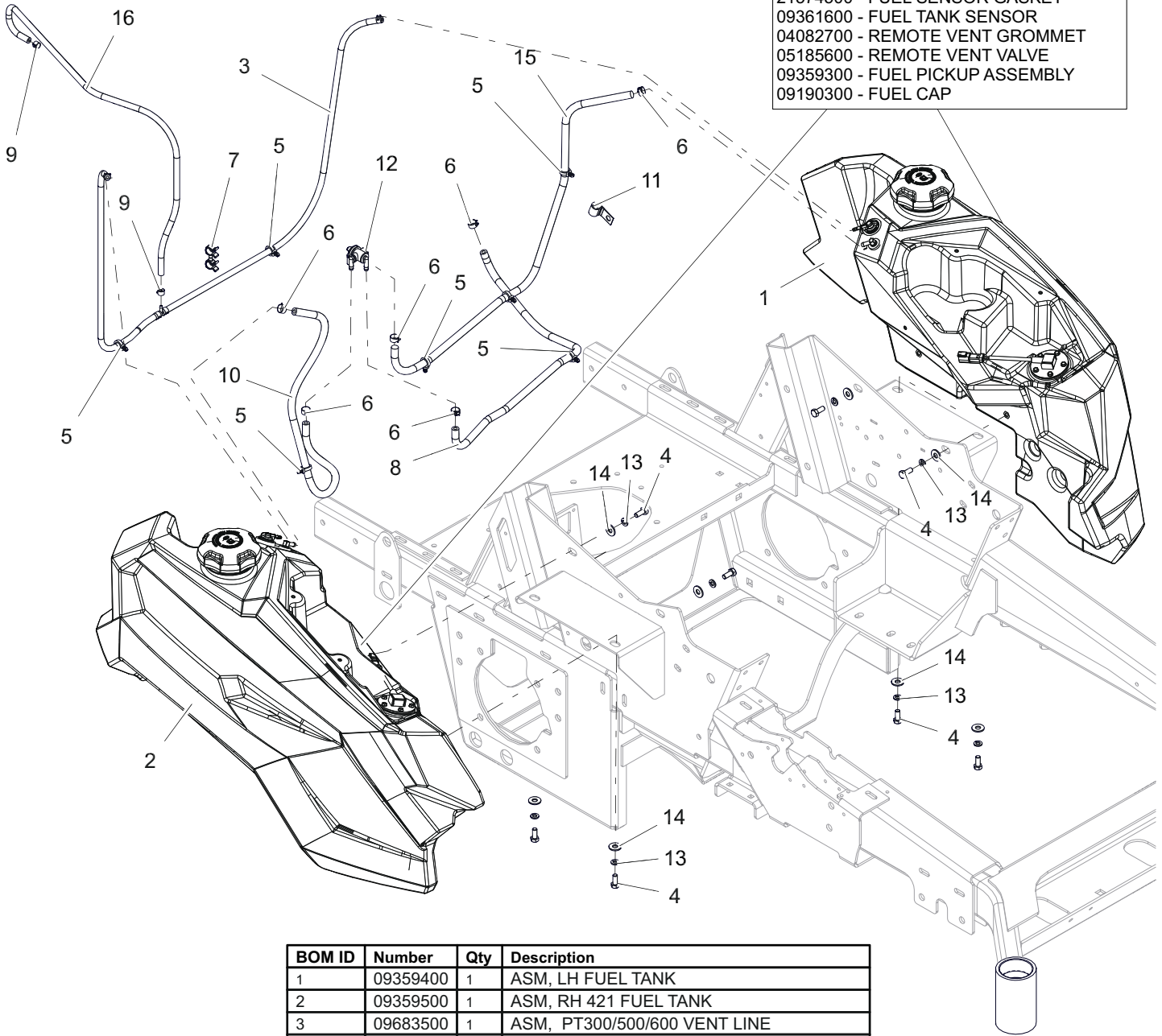


BOM ID	Number	Qty	Description
1	07334500	1	IDLER, FLAT - 5.00" X .75"
2	09374500	1	WLDMT, TRANSAXLE DRIVE IDLER ARM
3	05408000	2	BRG-BALL .500X1.375X.44
4	05901640	1	BLT, HEX 0.375-16X2.25 GR5 ZC120
5	05901720	1	BLT, HEX 0.5-13X2.75 GR5 ZC120
6	05901809	1	BLT, HEX 0.375-16X1.75 GR5 ZCC
7	06400015	1	WASHER-FLAT-STL, .500 X .750 X .020
8	06401023	1	WSHR-FL-STL 0.375X0.875X0.083 ZC120
9	06500735	1	NUT, FLG-SPNLK .375-16 GR5 ZC120
10	06500901	2	NUT, FLG-CTR LK .375-16 GR5 ZC120
11	06500902	1	NUT, FLG-CTR LK .500-13 GF ZCC
12	07200901	1	V-BELT, HB RAW COGGED
13	08300728	1	SPRG, EXTENSION - SWIVEL
14	09357700	1	SPACER SLEEVED SPACER, .510 X .867 X 1.148

FUEL TANKS – KAWASAKI – NON-EFI

Model 992500, 501, 502

SERVICE PARTS:
 21574500 - FUEL SENSOR GASKET
 09361600 - FUEL TANK SENSOR
 04082700 - REMOTE VENT GROMMET
 05185600 - REMOTE VENT VALVE
 09359300 - FUEL PICKUP ASSEMBLY
 09190300 - FUEL CAP

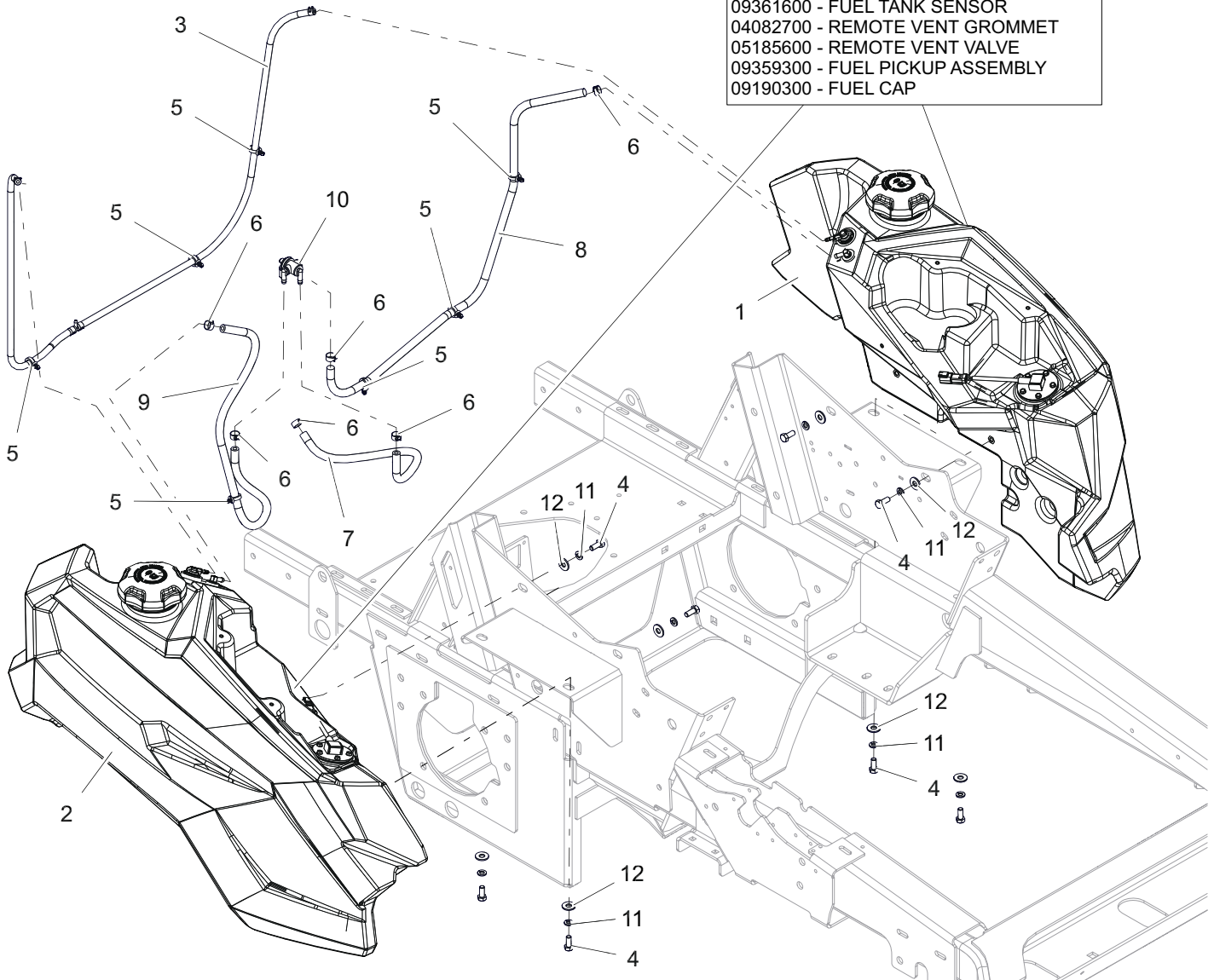


BOM ID	Number	Qty	Description
1	09359400	1	ASM, LH FUEL TANK
2	09359500	1	ASM, RH 421 FUEL TANK
3	09683500	1	ASM, PT300/500/600 VENT LINE
4	05901704	8	BLT, HEX 0.3125-18X0.75 GR5 ZC120
5	07500515	7	CLIP, PUSH-IN X-MAS TREE CABLE
6	03278800	6	CLAMP, FUEL LINE
7	07500516	1	CLIP, 360 DEGREE SWIVEL .500 DIA HOSE
8	03278100	1	FUEL HOSE - VALVE TO ENGINE 27.0"
9	04097700	2	CLAMP, HOSE SPRING .188
10	03278100	1	FUEL HOSE-VAVLE TO RH TANK 24.0"
11	06916000	1	J-CLAMP
12	09389900	1	VALVE, FUEL - WITH MAGNET
13	06300119	8	WSHR,LK-REG 0.314 X 0.078 ZCC
14	06401023	8	WSHR-FL-STL 0.375X0.875X0.083 ZC120
15	03278100	1	FUEL HOSE - VALVE TO LH TANK 36.0"
16	04745900	1	VENT HOSE - VENT TEE TO ENGINE 30.75"

FUEL TANKS – KAWASAKI – EFI

Model 992503, 504

SERVICE PARTS:
 21574500 - FUEL SENSOR GASKET
 09361600 - FUEL TANK SENSOR
 04082700 - REMOTE VENT GROMMET
 05185600 - REMOTE VENT VALVE
 09359300 - FUEL PICKUP ASSEMBLY
 09190300 - FUEL CAP

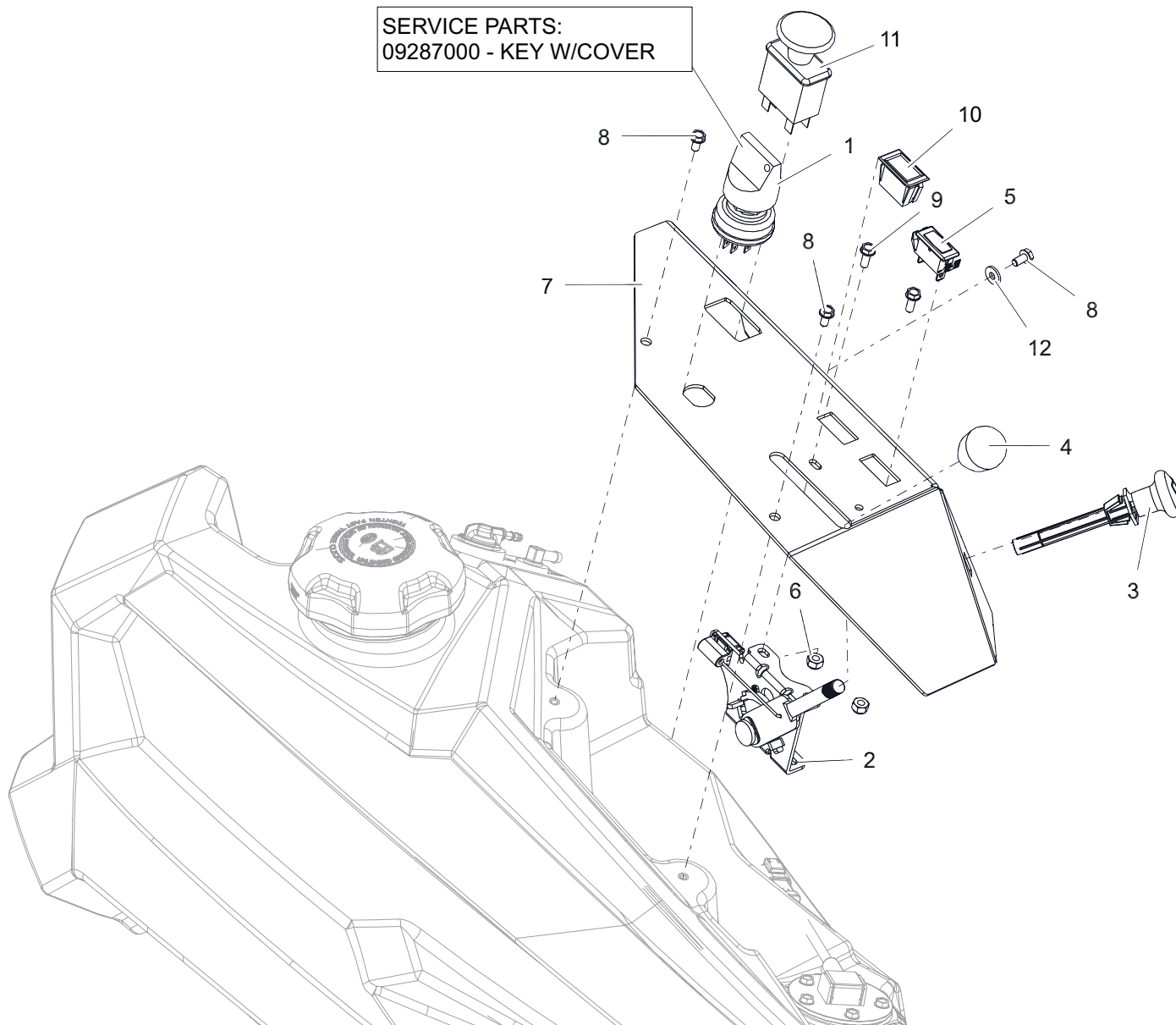


BOM ID	Number	Qty	Description
1	09359400	1	ASM, LH FUEL TANK
2	09359500	1	ASM, RH 421 FUEL TANK
3	09683500	1	ASM, PT300/500/600 VENT LINE
4	05901704	8	BLT, HEX 0.3125-18X0.75 GR5 ZC120
5	07500515	7	CLIP, PUSH-IN X-MAS TREE CABLE
6	03278800	6	CLAMP, FUEL LINE
7	03278100	1	FUEL HOSE-VALVE TO ENGINE 13.5"
8	03278100	1	FUEL HOSE - VALVE TO LH TANK 36.0"
9	03278100	1	FUEL HOSE-VAVLE TO RH TANK 24.0"
10	09389900	1	VALVE, FUEL - WITH MAGNET
11	06300119	8	WSHR,LK-REG 0.314 X 0.078 ZCC
12	06401023	8	WSHR-FL-STL 0.375X0.875X0.083 ZC120

CONTROL PANEL – KAWASAKI FX850

Model 992500

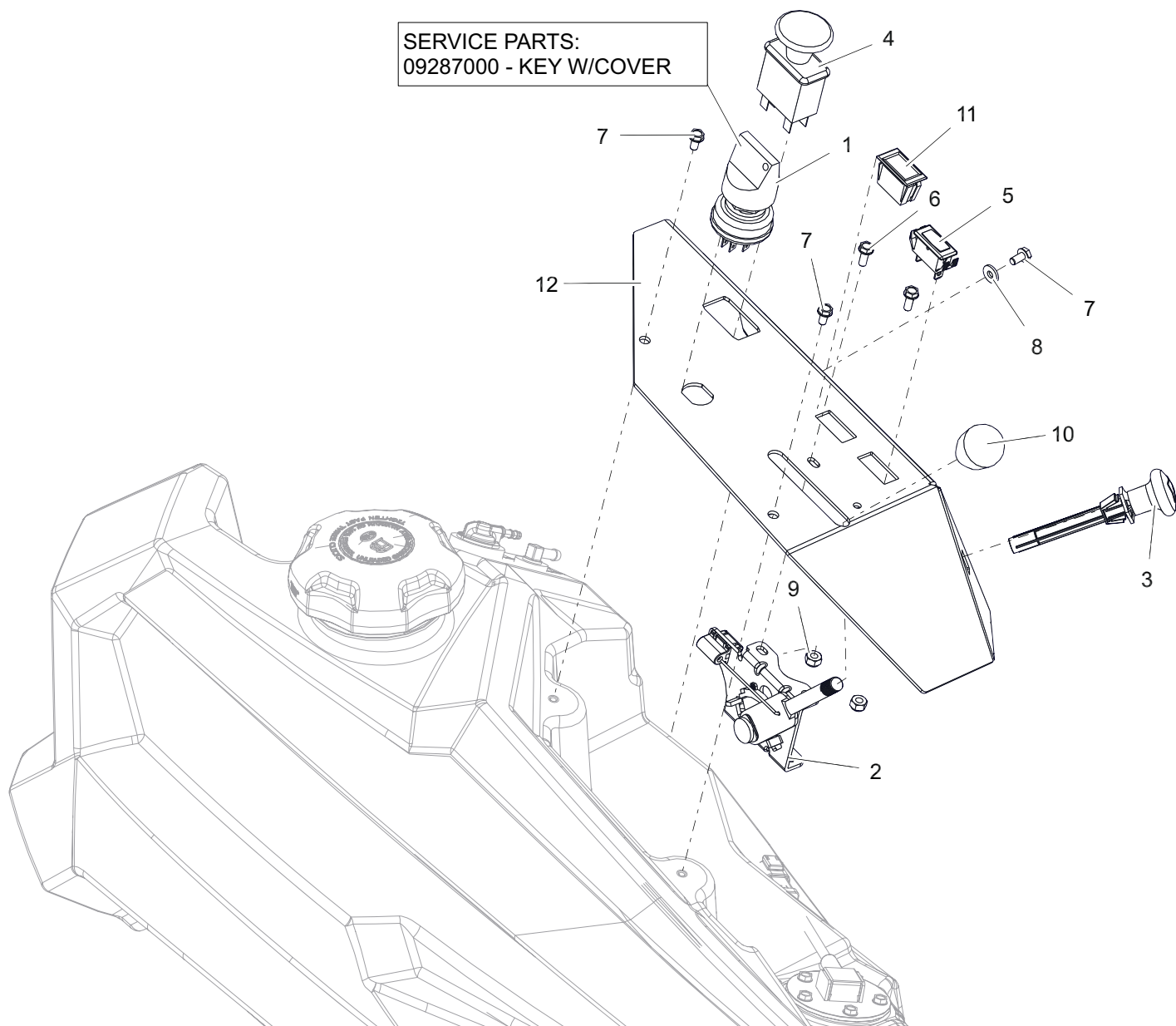
SERVICE PARTS:
09287000 - KEY W/COVER



BOM ID	Number	Qty	Description
1	04331600	1	SWITCH, IGNITION
2	06900629	1	CABLE, PRO - CONTROL 46.00"
3	06900729	1	CABLE, CHOKE (SNAP IN)
4	07500132	1	KNOB, CONTROL BLACK .38-16X.50
5	05128700	1	LIGHT, INDICATOR (RED)
6	06500915	2	NUT, LK-NYL #10-24 GR5 ZC120
7	09376453	1	PANEL, RH CONTROL (RED)
8	06100211	3	SCR-MCH 10-24X.38 HWHSTAINLESS
9	05901825	2	SCR-MCH 10-24X.50 HWH ZCC
10	09003300	1	SWITCH, BLANK
11	01545600	1	SWITCH, CLUTCH
12	06401029	1	WSHR-FL-STL 0.196X0.5X0.06 ZCC

CONTROL PANEL – KAWASAKI FX1000

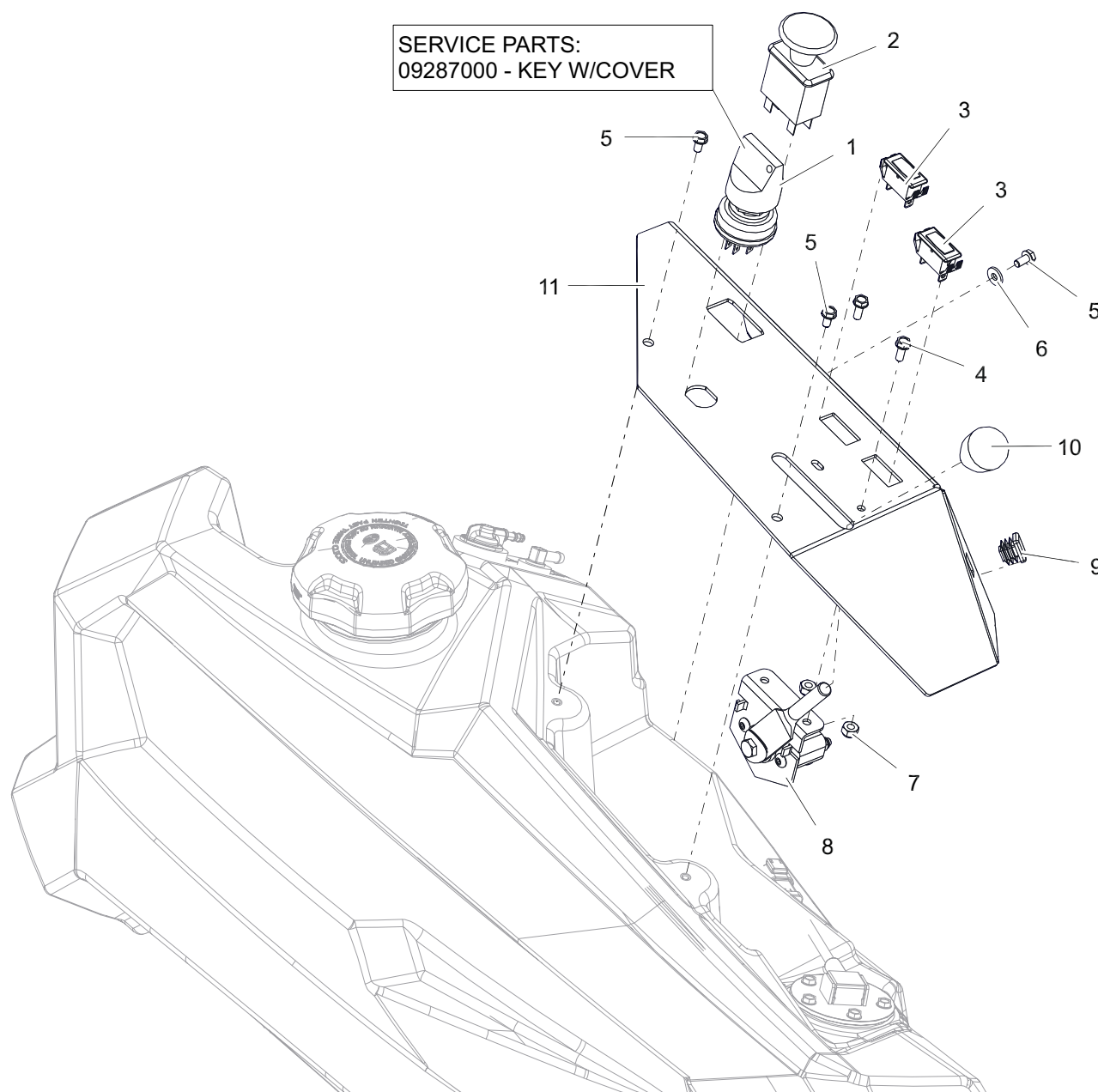
Model 992501, 502



BOM ID	Number	Qty	Description
1	04331600	1	SWITCH, IGNITION
2	06900630	1	CABLE, PRO - CONTROL 53.00"
3	06900729	1	CABLE, CHOKE (SNAP IN)
4	01545600	1	SWITCH, CLUTCH
5	05128700	1	LIGHT, INDICATOR (RED)
6	05901825	2	SCR-MCH 10-24X.50 HWH ZCC
7	06100211	3	SCR-MCH 10-24X.38 HWHSTAINLESS
8	06401029	1	WSHR-FL-STL 0.196X0.5X0.06 ZCC
9	06500915	2	NUT, LK-NYL #10-24 GR5 ZC120
10	07500132	1	KNOB, CONTROL BLACK .38-16X.50
11	09003300	1	SWITCH, BLANK
12	09376453	1	PANEL, RH CONTROL (RED)

CONTROL PANEL – KAWASAKI FX1000 EFI

Model 992503, 504

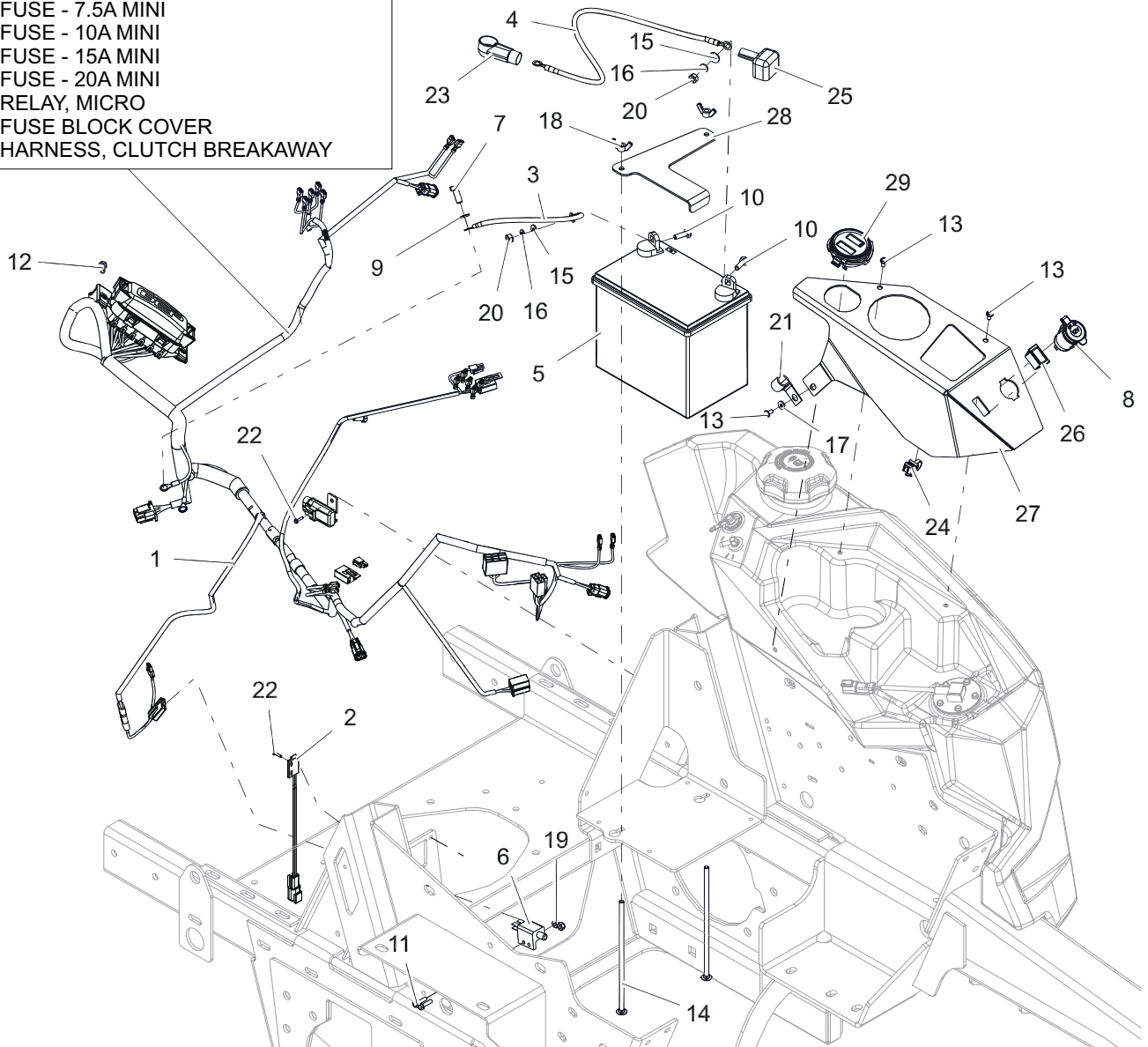


BOM ID	Number	Qty	Description
1	04331600	1	SWITCH, IGNITION
2	01545600	1	SWITCH, CLUTCH
3	05128700	2	LIGHT, INDICATOR (RED)
4	05901825	2	SCR-MCH 10-24X.50 HWH ZCC
5	06100211	3	SCR-MCH 10-24X.38 HWHSTAINLESS
6	06401029	1	WSHR-FL-STL 0.196X0.5X0.06 ZCC
7	06500915	2	NUT, LK-NYL #10-24 GR5 ZC120
8	06900711	1	CONTROL, ELECTRONIC THROTTLE
9	07500123	1	PLUG, SQ -.625" BLACK (14-20 GA)
10	07500132	1	KNOB, CONTROL BLACK .38-16X.50
11	09376453	1	PANEL, RH CONTROL (RED)

ELECTRICAL – KAWASAKI – NON-EFI

Model 992500, 501, 502

SERVICE PARTS:
 09293501 - DIODE
 04954200 - FUSE - 7.5A MINI
 04438100 - FUSE - 10A MINI
 04438200 - FUSE - 15A MINI
 04438300 - FUSE - 20A MINI
 04438400 - RELAY, MICRO
 04504200 - FUSE BLOCK COVER
 05279100 - HARNESS, CLUTCH BREAKAWAY



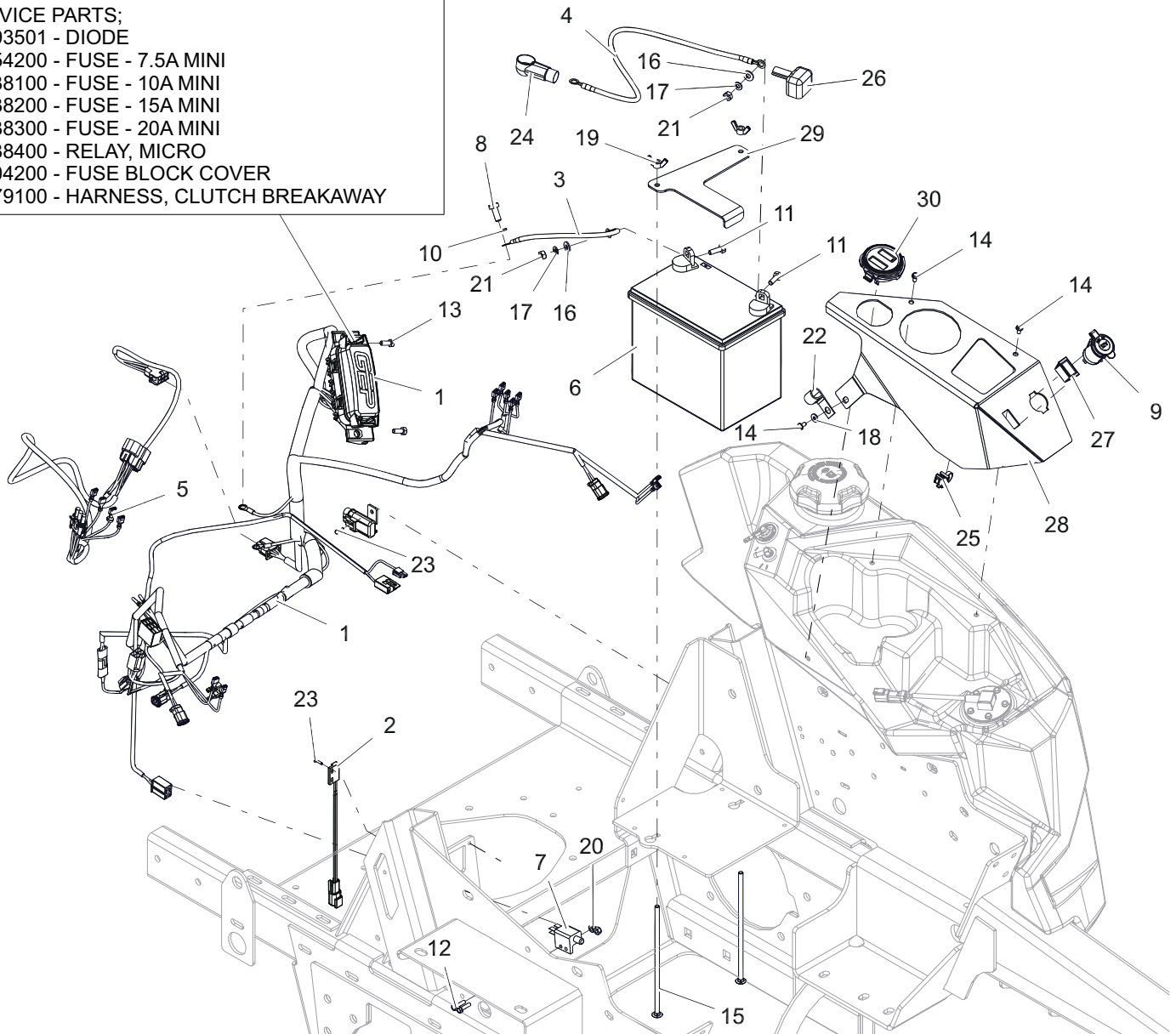
BOM ID	Number	Qty	Description
1	09192800	1	HARNESS, ELECTRICAL 421
2	09197300	1	SWITCH, MAGNETIC
3	09377300	1	CABLE, NEGATIVE BATTERY 11.5 LNG
4	09377400	1	CABLE, POS W/(2) .312 RING 16.0 LG
5	01554800	1	BATTERY, 300 CCA 10U1L
6	03606600	1	SWITCH- DOUBLE POLE N.O./N.O.
7	05901628	1	BLT,HEX M8-1.25X20 G8.8 ZC120
8	04782900	1	PORT, 12 VOLT POWER
9	06300119	1	WSHR,LK-REG 0.314 X 0.078 ZCC
10	05901716	2	BLT, HEX 0.25-20X0.75 GR5 ZC120
11	05901837	2	SCR-MCH 10-24X.75 HWH ZCC
12	05902026	2	BLT,HEX M6-1X16 G8.8 ZCC
13	06100211	3	SCR-MCH 10-24X.38 HWHSTAINLESS
14	06200424	2	BTL,RHSN .250-20 X 7.5 G5 ZCC
15	06401001	2	WSHR-FL-STL 0.281X0.625X0.065 ZC120

BOM ID	Number	Qty	Description
16	06401009	2	WSHR,LK-REG 0.252 X 0.062 ZCC
17	06401029	1	WSHR-FL-STL 0.196X0.5X0.06 ZCC
18	06500805	2	NUT, WING .250-20 LOCKING
19	06500915	2	NUT, LK-NYL #10-24 GR5 ZC120
20	06500916	2	NUT, HEX .250-20 GR5 ZCC
21	06916000	1	J-CLAMP
22	07400205	2	SCR-TAP #4-40x.50 HWH ZCC
23	07500401	1	BOOT, .65 ID POS
24	07500509	1	TIE, EC23 MOUNT W CABLE
25	07505700	1	INSULATOR
26	09003300	1	SWITCH, BLANK
27	09376353	1	PANEL, LH CONTROL (RED)
28	09376651	1	HOLDDOWN, BATTERY (BLACK)
29	09377100	1	METER, DUAL

ELECTRICAL – KAWASAKI – EFI

Model 992503, 504

SERVICE PARTS;
 09293501 - DIODE
 04954200 - FUSE - 7.5A MINI
 04438100 - FUSE - 10A MINI
 04438200 - FUSE - 15A MINI
 04438300 - FUSE - 20A MINI
 04438400 - RELAY, MICRO
 04504200 - FUSE BLOCK COVER
 05279100 - HARNESS, CLUTCH BREAKAWAY



BOM ID	Number	Qty	Description
1	09192800	1	HARNESS, ELECTRICAL 421
2	09197300	1	SWITCH, MAGNETIC
3	09377300	1	CABLE, NEGATIVE BATTERY 11.5 LNG
4	09377400	1	CABLE, POS W/(2) .312 RING 16.0 LG
5	09390500	1	HARNESS, PT600 EFI ADAPTER
6	01554800	1	BATTERY, 300 CCA 10U1L
7	03606600	1	SWITCH- DOUBLE POLE N.O./N.O.
8	05901628	1	BLT,HEX M8-1.25X20 G8.8 ZC120
9	04782900	1	PORT, 12 VOLT POWER
10	06300119	1	WSHR,LK-REG 0.314 X 0.078 ZCC
11	05901716	2	BLT, HEX 0.25-20X0.75 GR5 ZC120
12	05901837	2	SCR-MCH 10-24X.75 HWH ZCC
13	05902026	2	BLT,HEX M6-1X16 G8.8 ZCC
14	06100211	3	SCR-MCH 10-24X.38 HWHSTAINLESS
15	06200424	2	BTL,RHNS .250-20 X 7.5 G5 ZCC
16	06401001	2	WSHR-FL-STL 0.281X0.625X0.065 ZC120

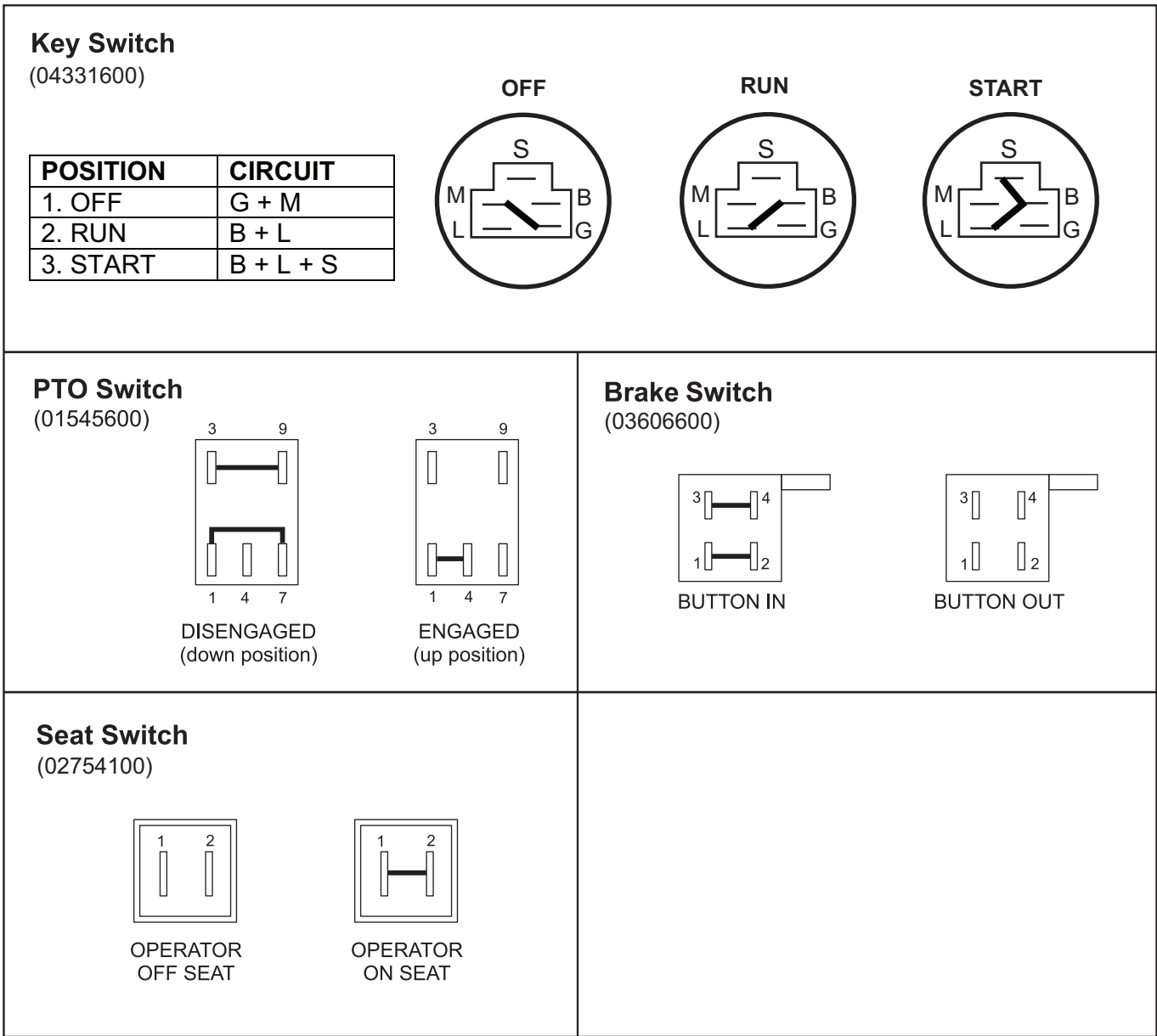
BOM ID	Number	Qty	Description
17	06401009	2	WSHR,LK-REG 0.252 X 0.062 ZCC
18	06401029	1	WSHR-FL-STL 0.196X0.5X0.06 ZCC
19	06500805	2	NUT, WING .250-20 LOCKING
20	06500915	2	NUT, LK-NYL #10-24 GR5 ZC120
21	06500916	2	NUT, HEX .250-20 GR5 ZCC
22	06916000	1	J-CLAMP
23	07400205	2	SCR-TAP #4-40x.50 HWH ZCC
24	07500401	1	BOOT, .65 ID POS
25	07500509	1	TIE, EC23 MOUNT W CABLE
26	07505700	1	INSULATOR
27	09003300	1	SWITCH, BLANK
28	09376353	1	PANEL, LH CONTROL (RED)
29	09376651	1	HOLDDOWN, BATTERY (BLACK)
30	09377100	1	METER, DUAL

CONTINUITY DIAGRAM

Model All

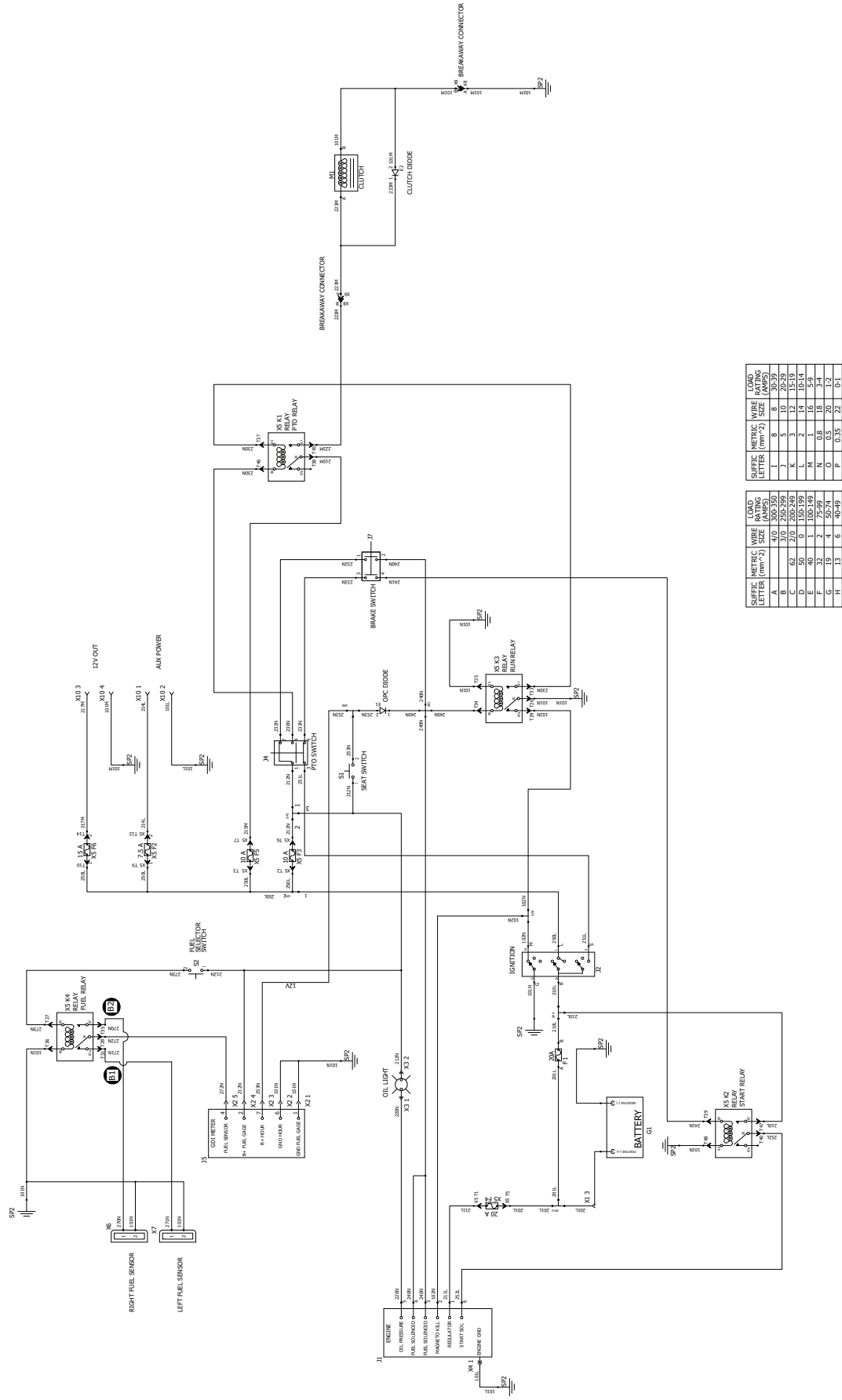
The diagrams below show the various states of connection for electrical components.
The solid lines on switches show continuity.

NOTE: All switches are viewed from the rear.



WIRING DIAGRAM

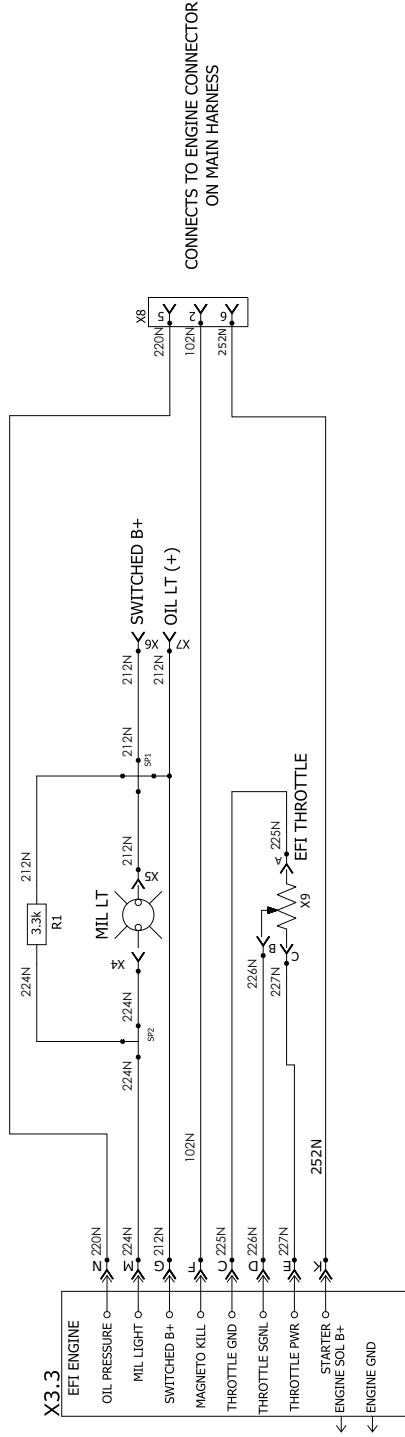
Model All



WIRE LETTER	WIRE SIZE (mm ²)	LOAD RATING (amps)
A	4.0	300-350
B	3.0	250-299
C	2.0	150-199
D	1.5	100-149
E	1.0	75-99
F	0.75	50-69
G	0.5	30-49
H	0.35	20-29
I	0.25	10-19
J	0.18	7-9
K	0.14	5-6
L	0.1	3-4
M	0.08	2-3
N	0.06	1.5-2
O	0.05	1-1.4
P	0.035	0.5-1

WIRING DIAGRAM – EFI ADAPTER

Model 992503, 504



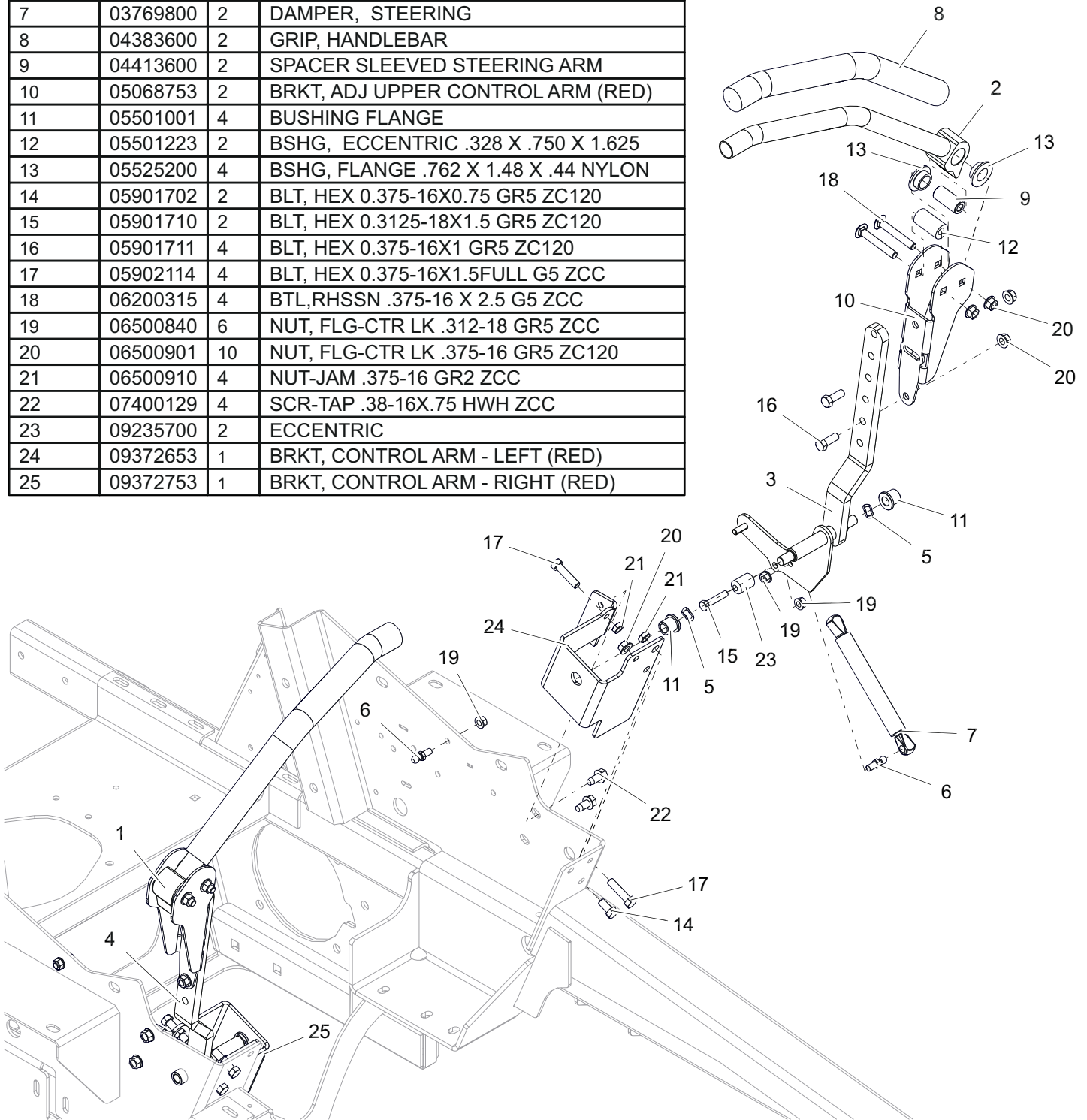
SUFFIC LETTER	METRIC (mm ²)	WIRE SIZE	LOAD RATING (AMPS)
I	8	8	30-39
J	5	10	20-29
K	3	12	15-19
L	2	14	10-14
M	1	16	5-9
N	0.8	18	3-4
O	0.5	20	1-2
P	0.35	22	0-1

SUFFIC LETTER	METRIC (mm ²)	WIRE SIZE	LOAD RATING (AMPS)
A		4/0	300-350
B		3/0	250-299
C	62	2/0	200-249
D	50	0	150-199
E	40	1	100-149
F	32	2	75-99
G	19	4	50-74
H	13	6	40-49

STEERING CONTROLS

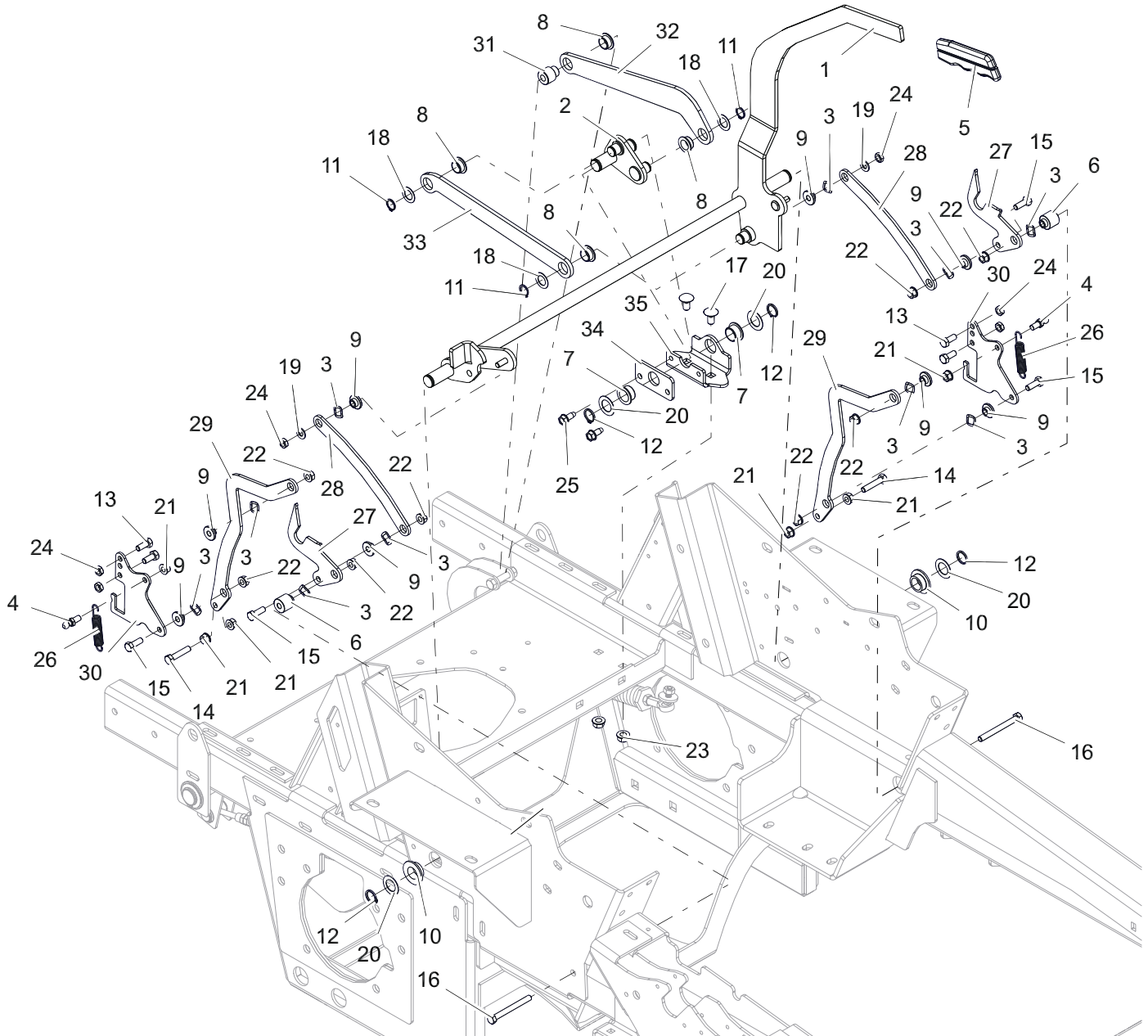
Model All

BOM ID	Number	Qty	Description
1	05261853	1	WLDMT, CONTROL HANDLE-LH (RED)
2	05262153	1	WLDMT, CONTROL HANDLE-RH (RED)
3	09371853	1	WLDMT, LH LOWER CONTROL ARM (RED)
4	09371953	1	WLDMT, RH LOWER CONTROL ARM (RED)
5	00325400	4	WAVE WASHER .531X.781X.125 FH
6	03652200	4	STUD-BALL
7	03769800	2	DAMPER, STEERING
8	04383600	2	GRIP, HANDLEBAR
9	04413600	2	SPACER SLEEVED STEERING ARM
10	05068753	2	BRKT, ADJ UPPER CONTROL ARM (RED)
11	05501001	4	BUSHING FLANGE
12	05501223	2	BSHG, ECCENTRIC .328 X .750 X 1.625
13	05525200	4	BSHG, FLANGE .762 X 1.48 X .44 NYLON
14	05901702	2	BLT, HEX 0.375-16X0.75 GR5 ZC120
15	05901710	2	BLT, HEX 0.3125-18X1.5 GR5 ZC120
16	05901711	4	BLT, HEX 0.375-16X1 GR5 ZC120
17	05902114	4	BLT, HEX 0.375-16X1.5FULL G5 ZCC
18	06200315	4	BTL,RHSSN .375-16 X 2.5 G5 ZCC
19	06500840	6	NUT, FLG-CTR LK .312-18 GR5 ZCC
20	06500901	10	NUT, FLG-CTR LK .375-16 GR5 ZC120
21	06500910	4	NUT-JAM .375-16 GR2 ZCC
22	07400129	4	SCR-TAP .38-16X.75 HWH ZCC
23	09235700	2	ECCENTRIC
24	09372653	1	BRKT, CONTROL ARM - LEFT (RED)
25	09372753	1	BRKT, CONTROL ARM - RIGHT (RED)



PARK BRAKE – UPPER

Model All

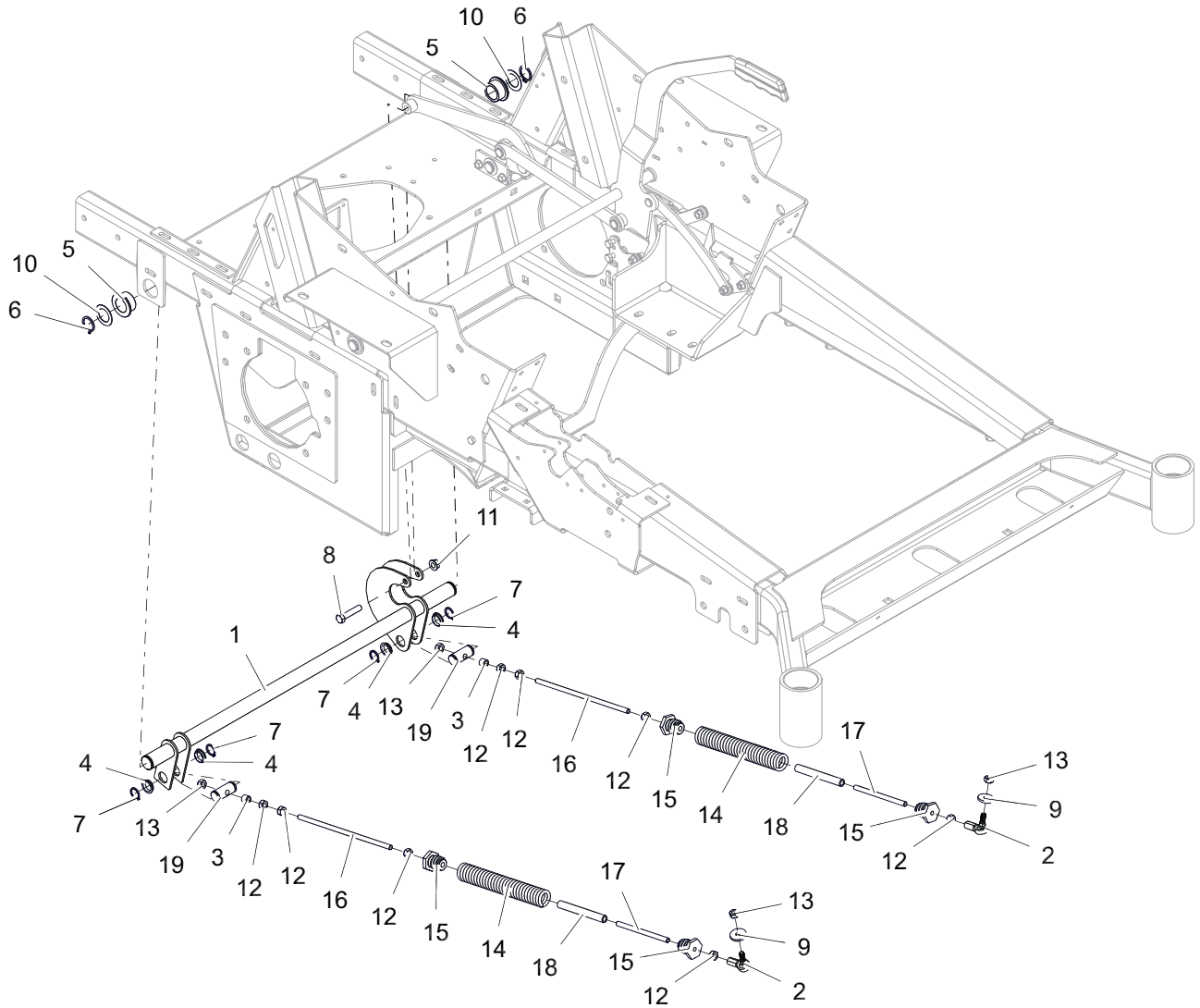


BOM ID	Number	Qty	Description
1	09372267	1	WLDMT, PARKING BRAKE ARM (BLACK)
2	09435100	1	WLDMT, BRAKE ACTIVATION PIVOT
3	00325400	10	WAVE WASHER .531X.781X.125 FH
4	03652200	2	STUD-BALL
5	05097200	1	GRIP, PARKING BRAKE, GREY
6	05501415	2	BUSHING FLANGED - .318X.500X.972X.875
7	05501436	2	BSHG, FLANGE .750 X .875 X .5000 X 1.125
8	05501437	4	BSHG, FLANGE .625 X .750 X .375 X 1.000
9	05514800	8	BSHG FLANGE
10	05525200	2	BSHG, FLANGE .762 X 1.48 X .44 NYLON
11	05709200	3	RG-RTNG-EXT .625x.050
12	05714600	4	RG-RTNG-EXT .750x.078
13	05901704	4	BLT, HEX 0.3125-18X0.75 GR5 ZC120
14	05901710	2	BLT, HEX 0.3125-18X1.5 GR5 ZC120
15	05901801	4	BLT, HEX 0.3125-18X0.875 GR5 ZCC
16	05901933	2	BLT, HEX 0.3125-18X3 GR5 ZCC
17	06200312	2	BTL,RHSN .375-16 X 0.75 G5 ZCC
18	06400009	3	WSHR-FL-STL 0.625X1X0.03 HRD

BOM ID	Number	Qty	Description
19	06401017	2	WSHR-FL-STL 0.344X0.688X0.065 ZC120
20	06413400	4	WSHR-HDND-THRST
21	06500815	6	NUT, FLG-SPNLK .312-18 GR5 ZC120
22	06500840	8	NUT, FLG-CTR LK .312-18 GR5 ZCC
23	06500901	2	NUT, FLG-CTR LK .375-16 GR5 ZC120
24	06500913	6	NUT, JAM-CTR LK .312-18 GR5 ZCC
25	07400127	2	SCR-TAP .312-18X.75 HWH ZCC
26	08300516	2	SPRG, EXTENSION
27	09372951	2	BRKT, BRAKE - RTN (BLACK)
28	09373051	2	BRKT, LINK - BREAK RTN (BLACK)
29	09373151	2	BRKT, LINK - SPEED CONTROL HTG
30	09373251	2	BRKT, SPEED - HTG (BLACK)
31	09429800	1	SPCR,
32	09429900	1	LINK, BRAKE ACTIVATION REAR
33	09435000	1	LINK, BRAKE ACTIVATING FRONT
34	09435200	1	PLATE, BSHG MOUNTING
35	09435300	1	BRKT, BSHG MTG

PARK BRAKE – LOWER

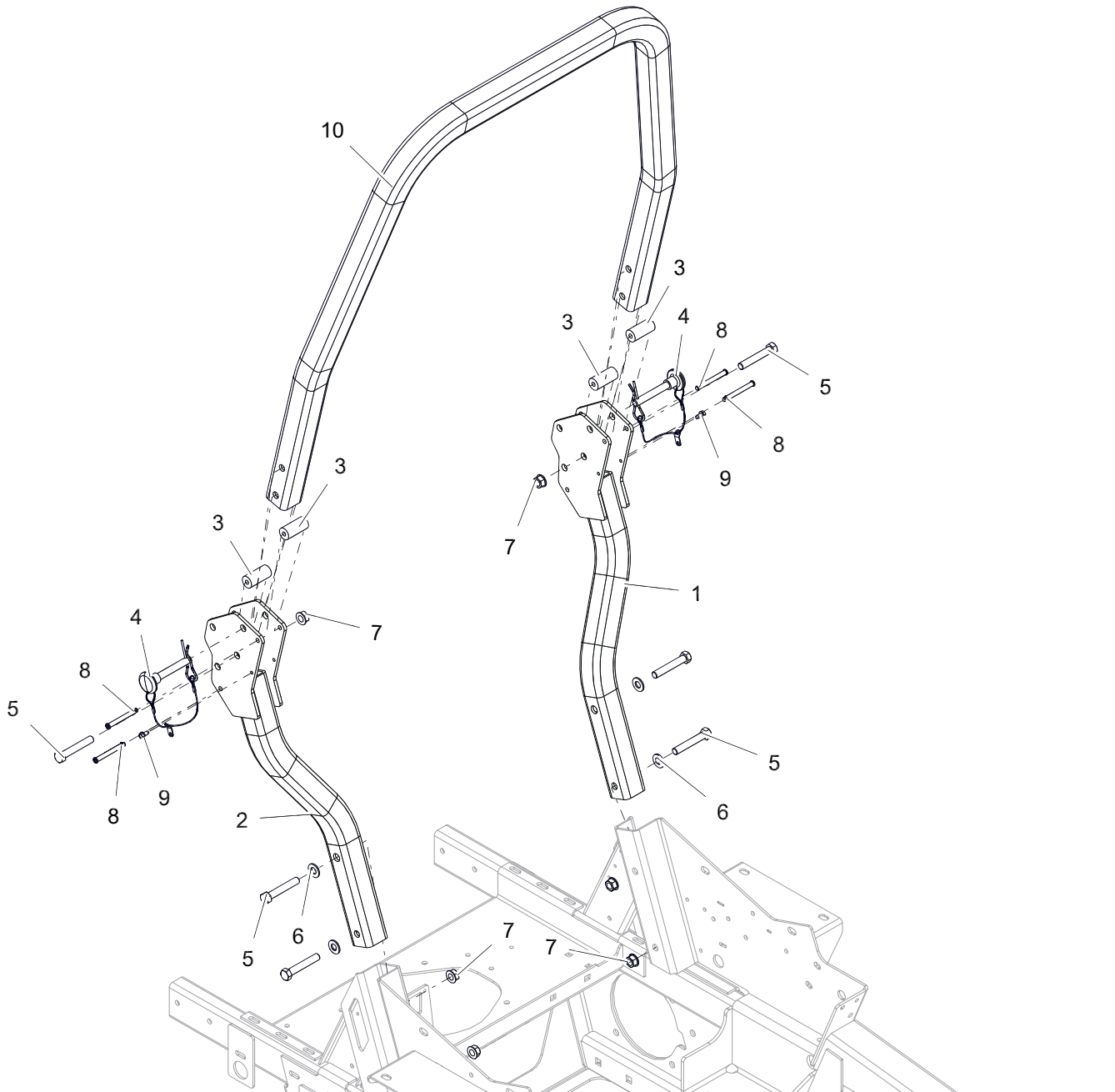
Model All



BOM ID	Number	Qty	Description
1	09427400	1	WLDMT, BRAKE REAR PIVOT SHAFT
2	09427800	2	LINKAGE, BALL JOINT .312-24 UNF RH STUD
3	01103100	2	SPACER SLEEVED .50 X .32 X .42
4	05500027	4	BSHG, POLYLINER-.75 SNAP-IN
5	05520100	2	BSHG-FLG 1.020X1.385X.75X1.75 NY
6	05707300	2	RG-RTNG-EXT 1.00X.078
7	05714600	4	RG-RTNG-EXT .750x.078
8	05901612	1	BLT, HEX 0.375-16X1.75F GR5 ZC120
9	06401104	2	WSHR-FL-STL 0.34X1.125X0.135 ZCC
10	06435300	2	WSHR-HDND-THRUST 1.00X1.55X.03
11	06500901	1	NUT, FLG-CTR LK .375-16 GR5 ZC120
12	06500939	8	NUT, HEX-JAM .3125-24 ZCC
13	06537000	4	NUT, LK-CTR .3125-24 ZCC
14	08300724	2	SPRG, EXTENSION .063 X .653 X 2.755
15	09426700	4	PLUG, SPRG
16	09426800	2	ROD, TRUNNION END THREADED
17	09426900	2	ROD, BALL END THREADED
18	09427000	2	TUBE, GUIDE
19	09427100	2	TRUNNION, BRAKE PIVOT

ROPS

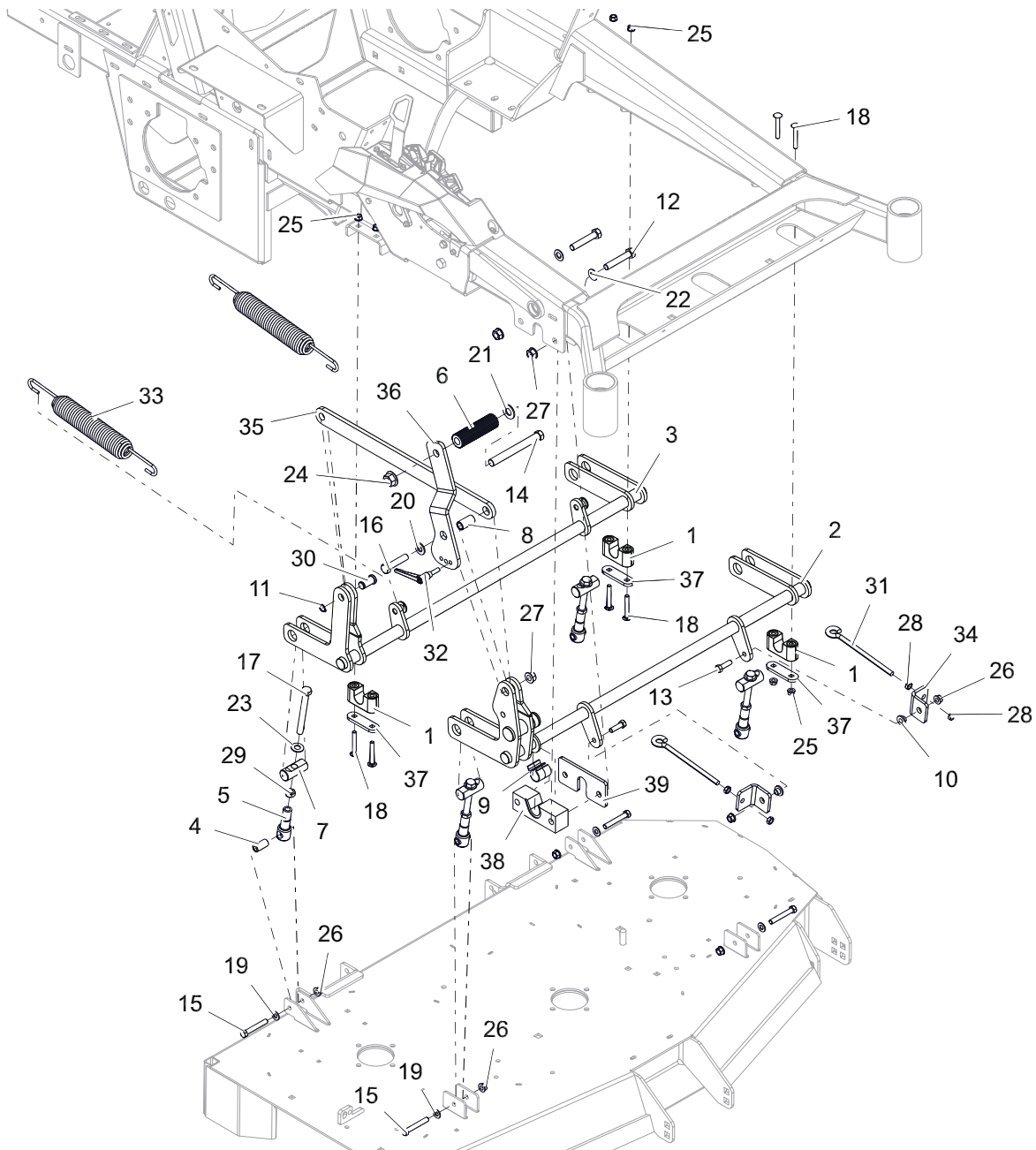
Model All



BOM ID	Number	Qty	Description
1	59229400	1	WLDMT, LH ROPS MOUNTING W/ SAFETY DECAL
2	59229500	1	WLDMT, RH ROPS POST W/ SAFETY DECAL
3	04884200	4	BUMPER, ROPS ANTI-VIBRATION
4	04898200	2	PIN, ROPS W/LANYARD
5	05901737	6	BLT, HEX 0.5-13X3 GR5 ZCC
6	06401015	4	WSHR-FL-STL 0.531X1.062X0.095 ZC120
7	06500902	6	NUT, FLG-CTR LK .500-13 GF ZCC
8	07001826	4	PIN, SLIC .312 X 2.57
9	07400122	2	SCR-TAP .25-20X.50 HWH ZCC
10	09186900	1	HOOP, ROPS

DECK LIFT – 52" AND 60"

Model 992500, 501, 503

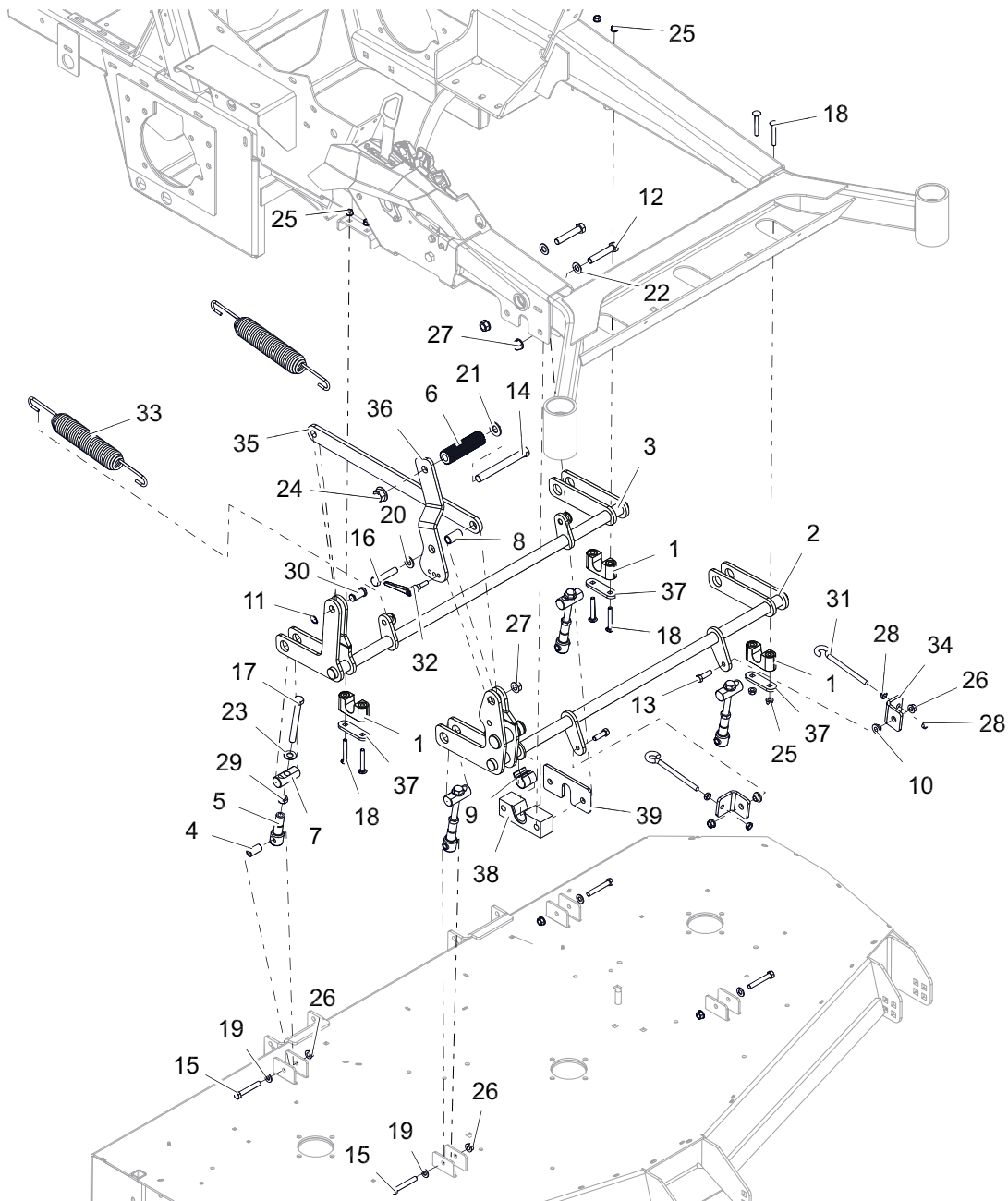


BOM ID	Number	Qty	Description
1	07500414	3	ASM, BSHG
2	09367751	1	WLDMT, FRONT DECK LIFT (BLACK)
3	09367851	1	WLDMT, REAR DECK LIFT (BLACK)
4	04895200	4	SPCR, DECK LEVELING
5	05081400	4	LINK, DECK LIFT, FORMED
6	05120951	1	ROD, FOOT PEDAL (BLACK)
7	05149500	4	PIN, DECK LIFT
8	05400732	1	SPCR, SLV .531x.75x1.449
9	05400736	1	BUSHING, SHAFT
10	05500435	2	BUSHING FLANGED FLG .385 X .500 X .875 X .406
11	05709200	1	RG-RTNG-EXT .625x.050
12	05901720	2	BLT, HEX 0.5-13X2.75 GR5 ZC120
13	05901724	2	BLT, HEX 0.375-16X1.25 GR5 ZC120
14	05901730	1	BLT, HEX 0.625-11X5.5 GR5 ZB500
15	05901811	4	BLT, HEX 0.375-16X2.5 GR8 ZCC
16	05901835	1	BLT, HEX 0.5-13X2.25 GR5 ZCC
17	05902111	4	BLT, HEX 0.5-13X4.5S GR5 ZCC
18	06200311	6	BTL,RHSSN .313-18 X 2.25 G5 ZCC
19	06401013	4	WSHR-FL-STL 0.406X0.812X0.065 ZC120
20	06401015	1	WSHR-FL-STL 0.531X1.062X0.095 ZC120

BOM ID	Number	Qty	Description
21	06401039	1	WSHR-FL-STL 0.656X1.312X0.095 RIE5230
22	06401115	2	WSHR-FL-STL 0.531X1X0.063 ZCC
23	06401116	4	WSHR-FL-STL 0.526X1.055X0.074 HRD
24	06500835	1	NUT,FLG-TOP LK .625-11 FBP
25	06500840	6	NUT, FLG-CTR LK .312-18 GR5 ZCC
26	06500901	6	NUT, FLG-CTR LK .375-16 GR5 ZC120
27	06500902	3	NUT, FLG-CTR LK .500-13 GF ZCC
28	06500910	4	NUT-JAM .375-16 GR2 ZCC
29	06500911	4	NUT, JAM .50-13 GR5 ZC120
30	06800207	1	PIN, CLEVIS .625 SNAP RING
31	07001604	2	BOLT, .38-16X6.00 .62 DIA EYE
32	07500502	1	HANDLE, CLAMPING
33	08300722	2	SPRNG, DECK LIFT
34	09368751	2	BRKT, SPRING ANCHOR (BLACK)
35	09368851	1	LINK, DECK LIFT (BLACK)
36	09378251	1	ARM, ADJUSTABLE FOOT PEDAL (BLACK)
37	09382951	3	PLATE, PT600 BEARING SUPPORT (BLACK)
38	09394900	1	BUSHING, DECK LIFT
39	09439153	1	PLATE, SHAFT RETAINER (RED)

DECK LIFT – 72"

Model 992502, 504

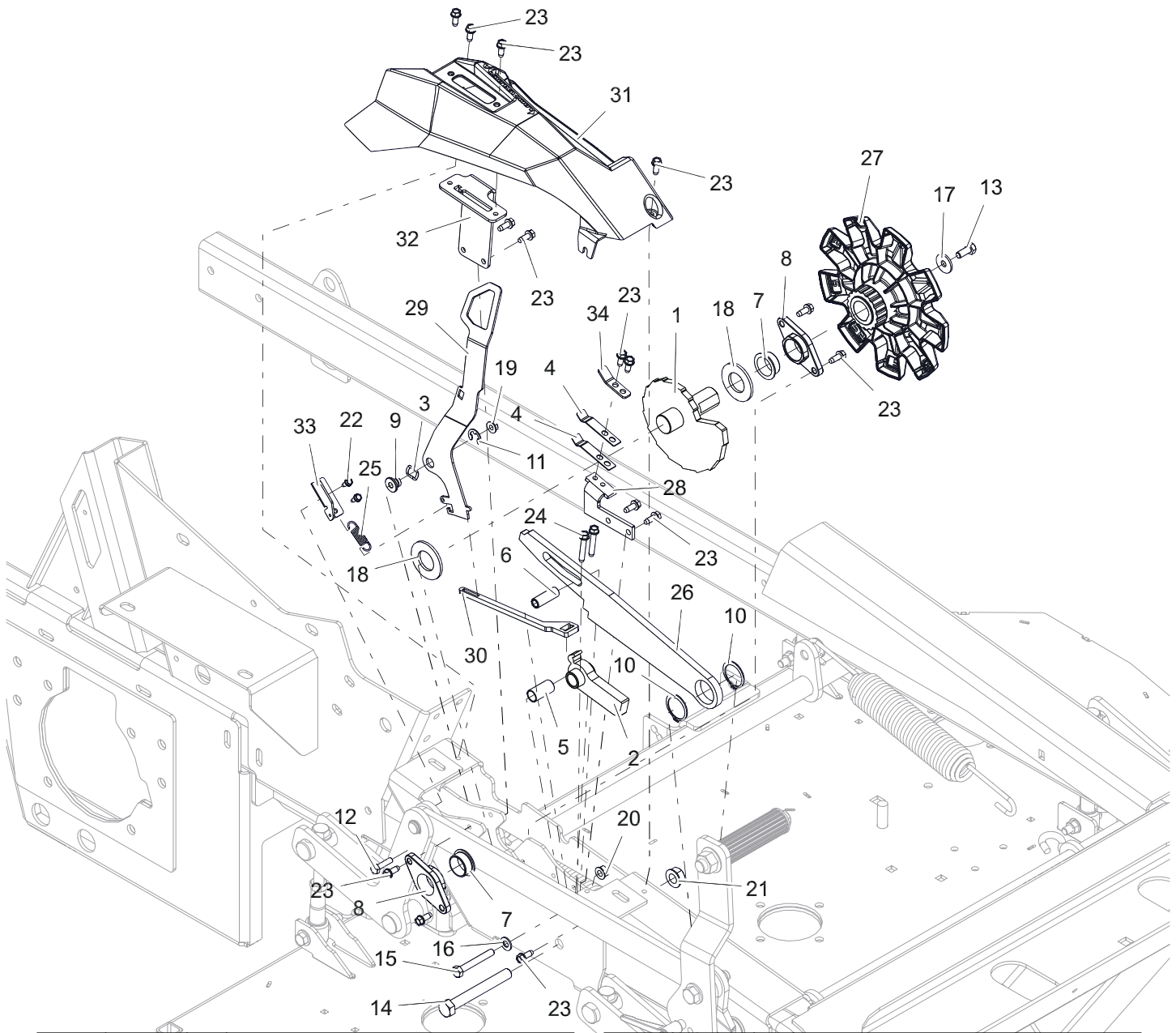


BOM ID	Number	Qty	Description
1	07500414	3	ASM, BSHG
2	09367751	1	WLDMT, FRONT DECK LIFT (BLACK)
3	09367851	1	WLDMT, REAR DECK LIFT (BLACK)
4	04895200	4	SPCR, DECK LEVELING
5	05081400	4	LINK, DECK LIFT, FORMED
6	05120951	1	ROD, FOOT PEDAL (BLACK)
7	05149500	4	PIN, DECK LIFT
8	05400732	1	SPCR, SLV .531x.75x1.449
9	05400736	1	BUSHING, SHAFT
10	05500435	2	BUSHING FLANGED FLG .385 X .500 X .875 X .406
11	05709200	1	RG-RTNG-EXT .625x.050
12	05901720	2	BLT, HEX 0.5-13X2.75 GR5 ZC120
13	05901724	2	BLT, HEX 0.375-16X1.25 GR5 ZC120
14	05901730	1	BLT, HEX 0.625-11X5.5 GR5 ZB500
15	05901811	4	BLT, HEX 0.375-16X2.5 GR8 ZCC
16	05901835	1	BLT, HEX 0.5-13X2.25 GR5 ZCC
17	05902111	4	BLT, HEX 0.5-13X4.5S GR5 ZCC
18	06200311	6	BTL,RHSSN .313-18 X 2.25 G5 ZCC
19	06401013	4	WSHR-FL-STL 0.406X0.812X0.065 ZC120
20	06401015	1	WSHR-FL-STL 0.531X1.062X0.095 ZC120

BOM ID	Number	Qty	Description
21	06401039	1	WSHR-FL-STL 0.656X1.312X0.095 RIE5230
22	06401115	2	WSHR-FL-STL 0.531X1X0.063 ZCC
23	06401116	4	WSHR-FL-STL 0.526X1.055X0.074 HRD
24	06500835	1	NUT,FLG-TOP LK .625-11 FBP
25	06500840	6	NUT, FLG-CTR LK .312-18 GR5 ZCC
26	06500901	6	NUT, FLG-CTR LK .375-16 GR5 ZC120
27	06500902	3	NUT, FLG-CTR LK .500-13 GF ZCC
28	06500910	4	NUT-JAM .375-16 GR2 ZCC
29	06500911	4	NUT, JAM .50-13 GR5 ZC120
30	06800207	1	PIN, CLEVIS .625 SNAP RING
31	07001733	2	BOLT, EYE .38-16X4.50 .62DIABZ
32	07500502	1	HANDLE, CLAMPING
33	08300722	2	SPRG, DECK LIFT
34	09368751	2	BRKT, SPRING ANCHOR (BLACK)
35	09368851	1	LINK, DECK LIFT (BLACK)
36	09378251	1	ARM, ADJUSTABLE FOOT PEDAL (BLACK)
37	09382951	3	PLATE, PT600 BEARING SUPPORT (BLACK)
38	09394900	1	BUSHING, DECK LIFT
39	09439153	1	PLATE, SHAFT RETAINER (RED)

DECK LIFT – HEIGHT OF CUT

Model All

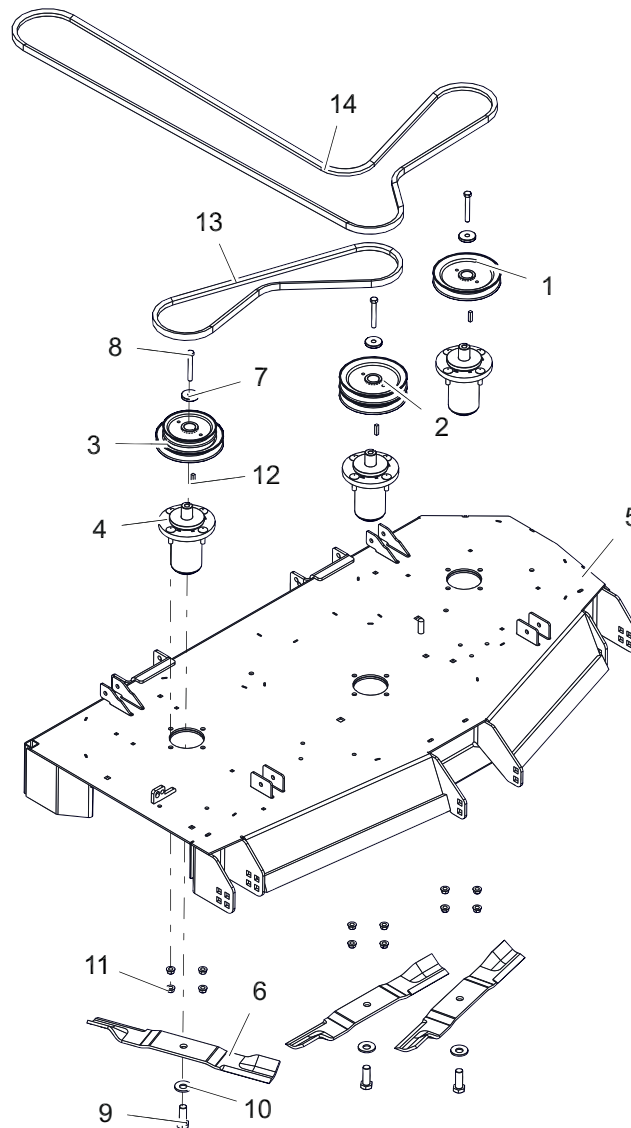


BOM ID	Number	Qty	Description
1	09368000	1	WLDMT, HOC
2	09369151	1	WLDMT, TRANSPORT LOCK PAWL (BLACK)
3	00325400	1	WAVE WASHER .531X.781X.125 FH
4	04742100	2	ARM, HOC DETENT
5	05400731	1	SPCR-SLV .531 X .625 X 1.25
6	05400733	1	SPCR, SLV .328 X .439 X 1.381
7	05501124	2	BSHG, RETAINING-E .500X.042
8	05501420	2	BSHG, 1.000X1.375X.650
9	05501423	1	BSHG FLANGED .270 X .500 X .468 X .75
10	05700213	2	RG-RTNG-EXT 1.25x.050
11	05710200	1	RING, RETAINING-E .500X.042
12	05901639	1	BLT, HEX 0.25-20X1 GR5 ZC120
13	05901704	1	BLT, HEX 0.3125-18X0.75 GR5 ZC120
14	05901734	1	BLT, HEX 0.5-13X4 GR5 ZC120
15	05901806	1	BLT, HEX 0.3125-18X2.25 GR5 ZCC
16	06401017	1	WSHR-FL-STL 0.344X0.688X0.065 ZC120
17	06401027	1	WSHR-FL-STL 0.328X1X0.094 ZCC
18	06401203	2	WSHR-FL-STL 1.062X2X0.134 ZCC

BOM ID	Number	Qty	Description
19	06500821	1	NUT, FLG-CTR LK .250-20 GR5 ZC120
20	06500840	1	NUT, FLG-CTR LK .312-18 GR5 ZCC
21	06500902	1	NUT, FLG-CTR LK .500-13 GF ZCC
22	07400130	2	SCR-TAP #10-24X.50 HWH ZCC
23	07400135	15	SCR-TAP .25-20X.625 HWH ZCC
24	07400140	2	SCR-TAP .25-20X1.50 HWH ZCC
25	08314100	1	SPRG, EXTENSION
26	09367951	1	ARM, HOC LINK (BLACK)
27	09368100	1	WHEEL, HOC INDEX
28	09368951	1	BRKT, HOC DETENT MTG (BLACK)
29	09369051	1	LEVER, TRANSPORT LOCK (BLACK)
30	09369251	1	ARM, TRANSPORT LOCK (BLACK)
31	09369300	1	COVER, TRANSPORT LOCK
32	09369451	1	PLATE, TRANSPORT LOCK POSITION (BLACK)
33	09369551	1	BRKT, SPRG (BLACK)
34	09429751	1	TAB, REINFORCING (BLACK)

DECK, SPINDLES, BELTS, AND BLADES – 52"

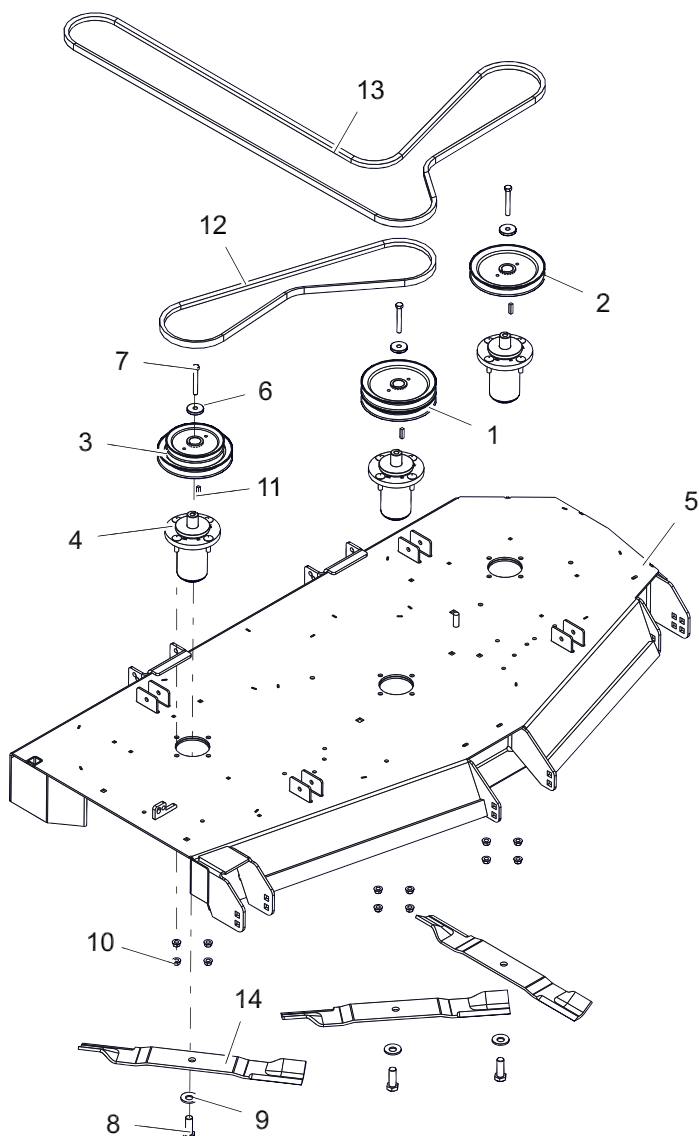
Model 992500



BOM ID	Number	Qty	Description
1	07332100	1	PULLEY, SINGLE -1.000 ID X 6.000 OD
2	07332300	1	PULLEY, DOUBLE 1.000 ID X 6.000 OD
3	07340300	1	PULLEY, DOUBLE -1" ID X 6.00" & 4.75" OD
4	58810800	3	ASM, ALUM SPINDLE
5	59229600	1	WLDMT, 52" SIDE DISCH DECK X3 (RED) W/ SAFETY DECALS
6	00450300	3	BLADE, MOWER - 18.00" (HI-LIFT)
7	04530500	3	RETAINER, SHEAVE SPINDLE
8	05901813	3	BLT, HEX 0.375-16X2.75 GR8 ZCC
9	05901822	3	BLT, HEX 0.625-18X1.75 GR8 ZCC
10	06445700	3	WSHR, BLVL-.63X1.625X.14
11	06500901	12	NUT, FLG-CTR LK .375-16 GR5 ZC120
12	06611200	3	KEY-SQ .250X.250X1.00 RC 40-50
13	07200036	1	BELT, B 56.00 RAW COGGED
14	07200904	1	V-BELT, B SECTION

DECK, SPINDLES, BELTS, AND BLADES – 60"

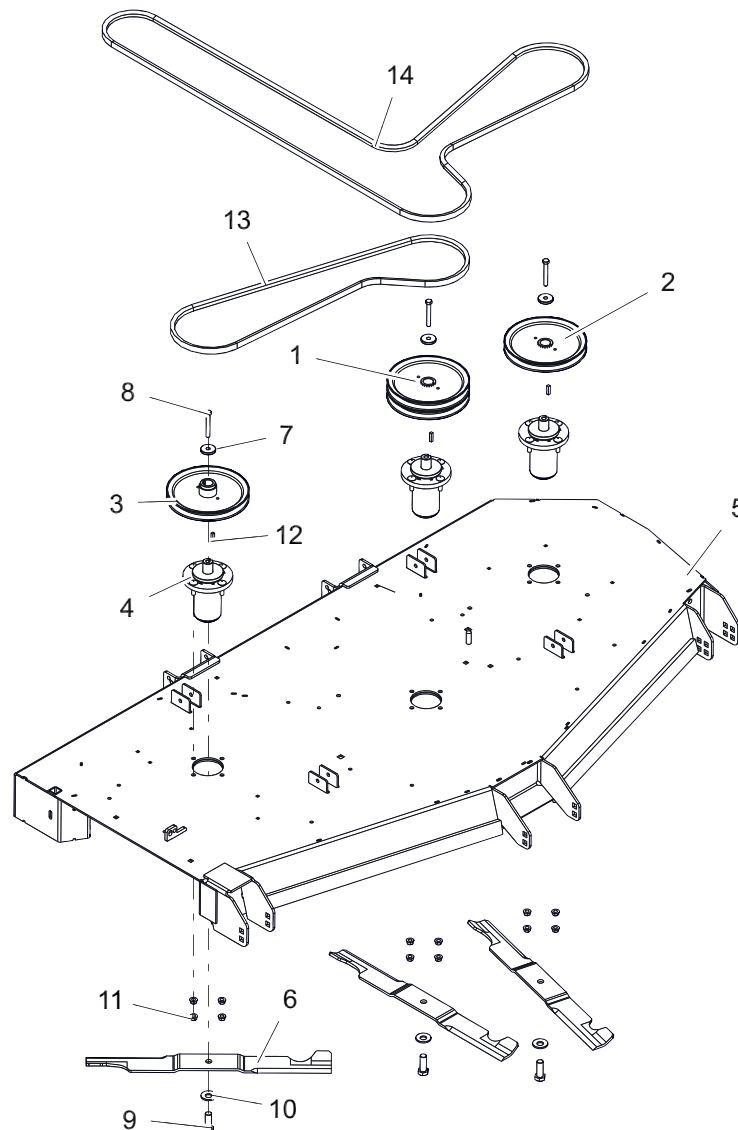
Model 992501, 503



BOM ID	Number	Qty	Description
1	07328800	1	PULLEY, DOUBLE 1.000 ID X 6.750 OD
2	07328900	1	PULLEY, V-1.000 ID X 6.750 OD
3	07340400	1	PULLEY, DOUBLE -1" ID X 6.75" & 5.25" OD
4	58810800	3	ASM, ALUM SPINDLE
5	59229700	1	WLDMT, 60" SIDE DISCH DECK (RED) W/ SAFETY DECALS
6	04530500	3	RETAINER, SHEAVE SPINDLE
7	05901813	3	BLT, HEX 0.375-16X2.75 GR8 ZCC
8	05901822	3	BLT, HEX 0.625-18X1.75 GR8 ZCC
9	06445700	3	WSHR, BLVL-.63X1.625X.14
10	06500901	12	NUT, FLG-CTR LK .375-16 GR5 ZC120
11	06611200	3	KEY-SQ .250X.250X1.00 RC 40-50
12	07200038	1	V-BELT, B-COGGED
13	07200712	1	V-BELT, HB-WRAPPED
14	09081200	3	BLADE, MOWER (20.50")

DECK, SPINDLES, BELTS, AND BLADES – 72"

Model 992502, 504



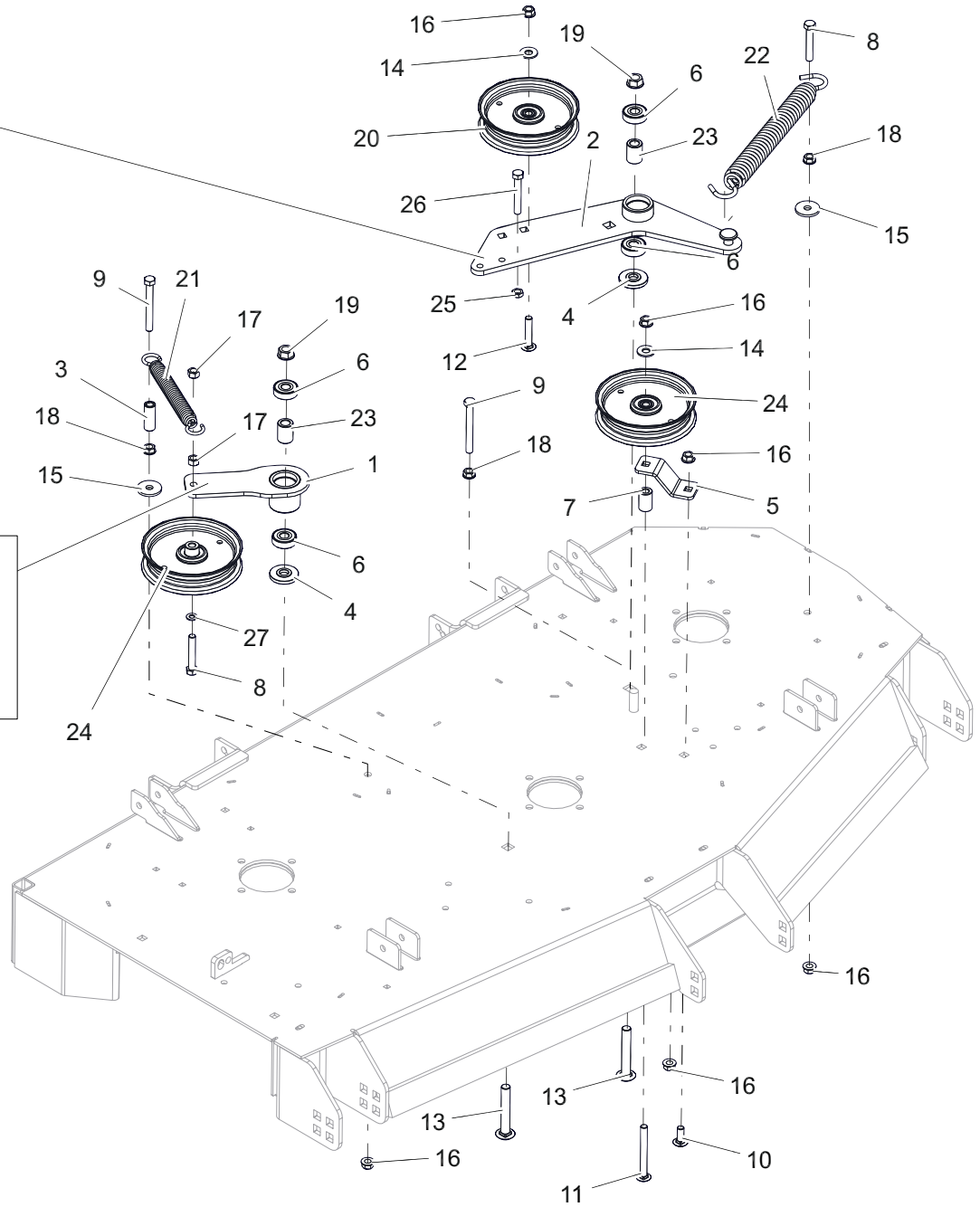
BOM ID	Number	Qty	Description
1	07337600	1	SHEAVE-DOUBLE 1.00"ID X 8.25"OD
2	07337700	1	SHEAVE, SINGLE 1.00" X 8.25" OD
3	07340800	1	SHEAVE, SINGLE 1.00" ID X 8.25" OD
4	58810800	3	ASM, ALUM SPINDLE
5	59229800	1	WLDMT, 72" SIDE DISCH DECK-X3 (RED) W/ SAFETY DECALS
6	04774600	3	BLADE, 24.50" X .250" MOWER
7	04530500	3	RETAINER, SHEAVE SPINDLE
8	05901813	3	BLT, HEX 0.375-16X2.75 GR8 ZCC
9	05901822	3	BLT, HEX 0.625-18X1.75 GR8 ZCC
10	06445700	3	WSHR, BLVL-.63X1.625X.14
11	06500901	12	NUT, FLG-CTR LK .375-16 GR5 ZC120
12	06611200	3	KEY-SQ .250X.250X1.00 RC 40-50
13	07200039	1	V-BELT, B-COGGED
14	07200906	1	V-BELT, B SECTION

DECK DRIVE IDLERS – 52" AND 60"

Model 992500, 501, 503

58813900
PTO IDLER ARM
SERVICE ASSEMBLY
09374700 - IDLER ARM
09357700 - SPACER
05408000 - BEARINGS

59230200
RH IDLER ARM
SERVICE ASSEMBLY
INCLUDES:
(1) 09363600 - IDLER ARM
(1) 09357700 - SPACER
(2) 05408000 - BEARING



BOM ID	Number	Qty	Description
1	09363600	1	WLDMT, DECK RH IDLER ARM
2	09374700	1	WLDMT, IDLER ARM PT660
3	03763400	1	SPACER SLEEVED .375IDX.625ODX1.66 PM
4	04714600	2	SPACER FLANGED ARM
5	04981853	1	BRKT, PTO FIXED IDLER MTG
6	05408000	4	BRG-BALL .500X1.375X.44
7	05501308	1	BUSHING SLEEVED .380 X .750 X 1.190
8	05901640	2	BLT, HEX 0.375-16X2.25 GR5 ZC120
9	05901817	2	BLT, HEX 0.375-16X3.25 GR5 ZCC
10	06200235	1	BTL,RHSSN .375-16 X 1 G5 ZCC
11	06200238	1	BTL,RHSSN .375-16 X 3.5 G5 ZCC
12	06200323	1	BTL,RHSSN .375-16 X 2 G5 ZCC
13	06200339	2	BTL,RHSSN .500-13 X 3.25 G5 ZCC
14	06401008	2	WSHR-FL-STL 0.438X1X0.083 ZC120

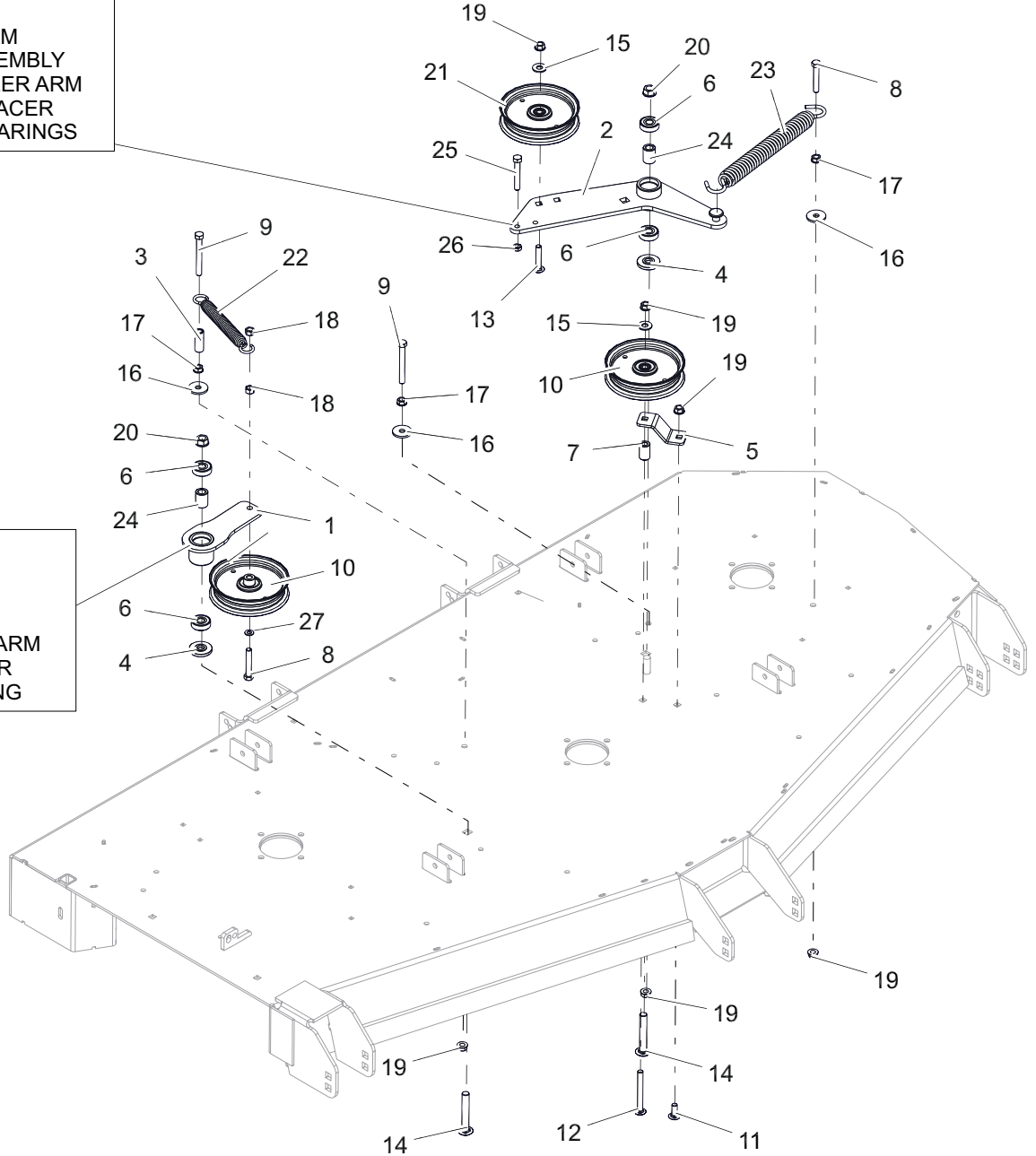
BOM ID	Number	Qty	Description
15	06401121	2	WSHR-FL-STL 0.406X1.375X0.135 ZCC
16	06500901	6	NUT, FLG-CTR LK .375-16 GR5 ZC120
17	06500825	2	NUT, HEX-CTR LK .375-16 GR5 ZCC
18	06500735	3	NUT, FLG-SPNLK .375-16 GR5 ZC120
19	06500902	2	NUT, FLG-CTR LK .500-13 GF ZCC
20	07351100	1	PULLEY, FLAT IDLER .500 X .375 W/BRG
21	08300728	1	SPRG, EXTENSION - SWIVEL
22	08300708	1	SPRG, EXTENSION
23	09357700	2	SPACER SLEEVED SPACER, .510 X .867 X 1.148
24	07351200	2	IDLER, FLAT - .500 X .75
25	06500910	1	NUT-JAM .375-16 GR2 ZCC
26	05901812	1	BLT, HEX 0.375-16X2.5 GR5 ZCC
27	06401002	1	WSHR-FL-STL 0.323X0.625X0.062 ZCC

DECK DRIVE IDLERS - 72"

Model 992502, 504

58813900
PTO IDLER ARM
SERVICE ASSEMBLY
09374700 - IDLER ARM
09357700 - SPACER
05408000 - BEARINGS

59230200
RH IDLER ARM
SERVICE ASSEMBLY
INCLUDES:
(1) 09363600 - IDLER ARM
(1) 09357700 - SPACER
(2) 05408000 - BEARING

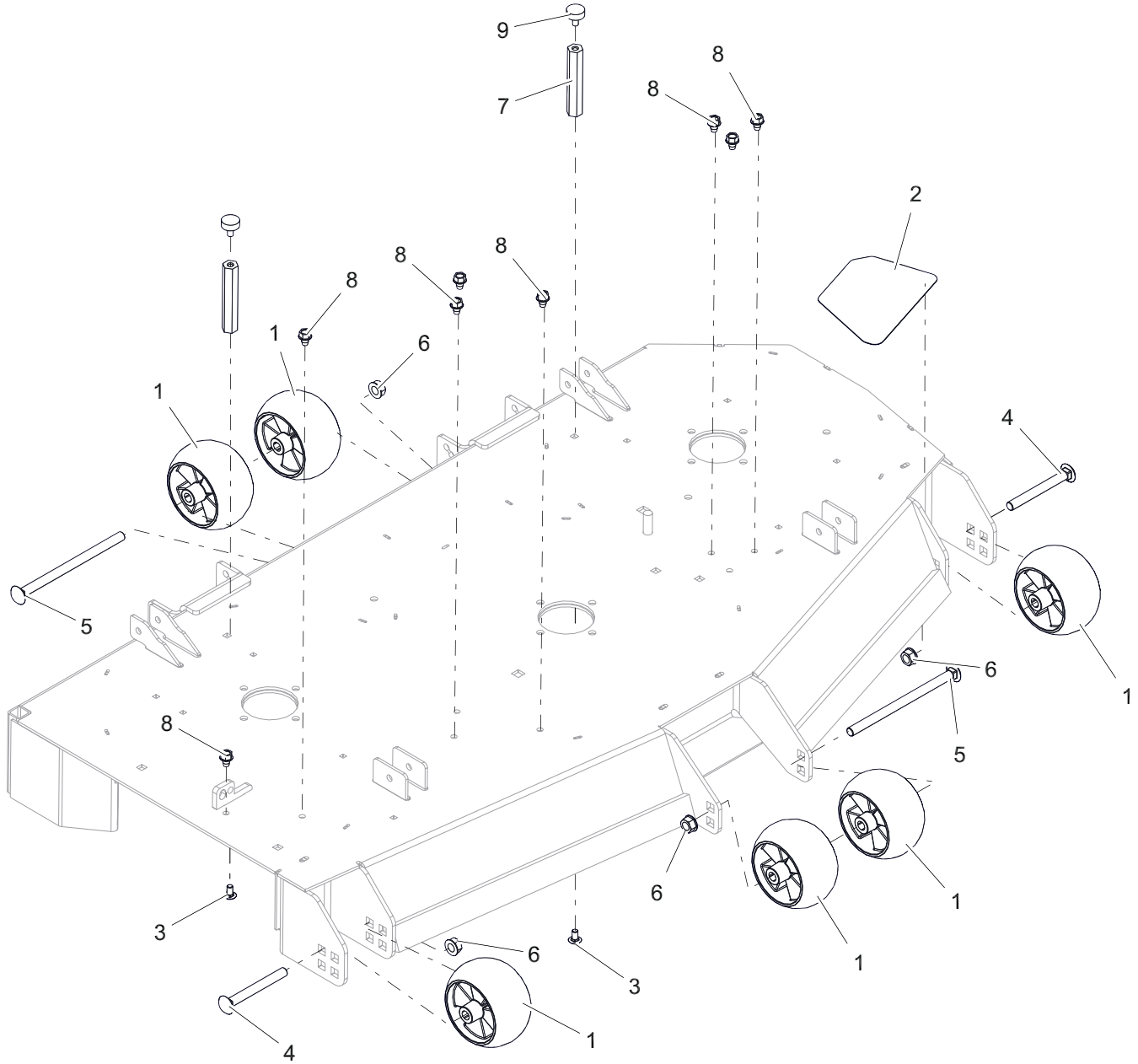


BOM ID	Number	Qty	Description
1	09363600	1	WLDMT, DECK RH IDLER ARM
2	09374700	1	WLDMT, IDLER ARM PT660
3	03763400	1	SPACER SLEEVED .375IDX.625ODX1.66 PM
4	04714600	2	SPACER FLANGED ARM
5	04981853	1	BRKT, PTO FIXED IDLER MTG
6	05408000	4	BRG-BALL .500X1.375X.44
7	05501308	1	BUSHING SLEEVED .380 X .750 X 1.190
8	05901640	2	BLT, HEX 0.375-16X2.25 GR5 ZC120
9	05901817	2	BLT, HEX 0.375-16X3.25 GR5 ZCC
10	07351200	2	IDLER, FLAT - .500 X .75
11	06200235	1	BTL,RHSSN .375-16 X 1 G5 ZCC
12	06200238	1	BTL,RHSSN .375-16 X 3.5 G5 ZCC
13	06200323	1	BTL,RHSSN .375-16 X 2 G5 ZCC
14	06200339	2	BTL,RHSSN .500-13 X 3.25 G5 ZCC

BOM ID	Number	Qty	Description
15	06401008	2	WSHR-FL-STL 0.438X1X0.083 ZC120
16	06401121	3	WSHR-FL-STL 0.406X1.375X0.135 ZCC
17	06500735	3	NUT, FLG-SPNLK .375-16 GR5 ZC120
18	06500825	2	NUT, HEX-CTR LK .375-16 GR5 ZCC
19	06500901	6	NUT, FLG-CTR LK .375-16 GR5 ZC120
20	06500902	2	NUT, FLG-CTR LK .500-13 GF ZCC
21	07351100	1	PULLEY, FLAT IDLER .500 X .375 W/BRG
22	08300728	1	SPRG, EXTENSION - SWIVEL
23	08300708	1	SPRG, EXTENSION
24	09357700	2	SPACER SLEEVED SPACER, .510 X .867 X 1.148
25	05901812	1	BLT, HEX 0.375-16X2.5 GR5 ZCC
26	06500910	1	NUT-JAM .375-16 GR2 ZCC
27	06401002	1	WSHR-FL-STL 0.323X0.625X0.062 ZCC

ANTI-SCALP WHEELS AND DECK STOPS – 52" AND 60"

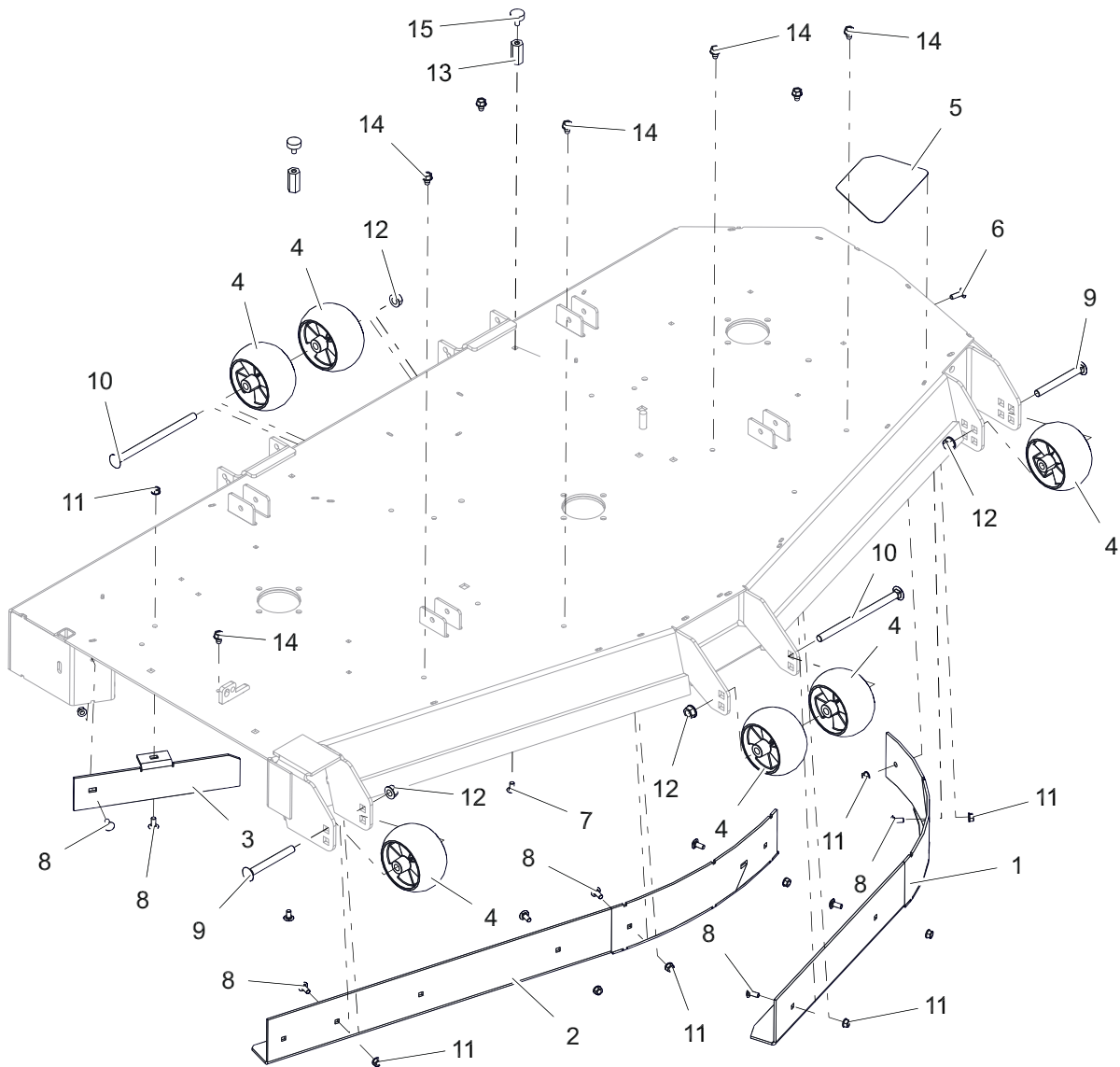
Model 992500, 501, 503



BOM ID	Number	Qty	Description
1	05268800	6	WHEEL, ANTI SCALP - 5X3 CTR W/RIBS
2	05286500	1	GRIP, STEP ANTI SKID
3	06200304	2	BTL,RHSSN .313-18 X 0.625 G5 ZCC
4	06200240	2	BTL,RHSN .500-13 X 4.5 G5 ZCC
5	06200430	2	BTL,RHSN .500-13 X 8 G5 ZCC
6	06500902	4	NUT, FLG-CTR LK .500-13 GF ZCC
7	07001915	2	NUT, COUPLING .312-18 X 4.295
8	07400126	8	SCR-TAP .38-16X.500 HWH ZCC
9	07533600	2	BUMPER, RUBBER

ANTI-SCALP WHEELS, BAFFLES, AND DECK STOPS – 72"

Model 992502, 504

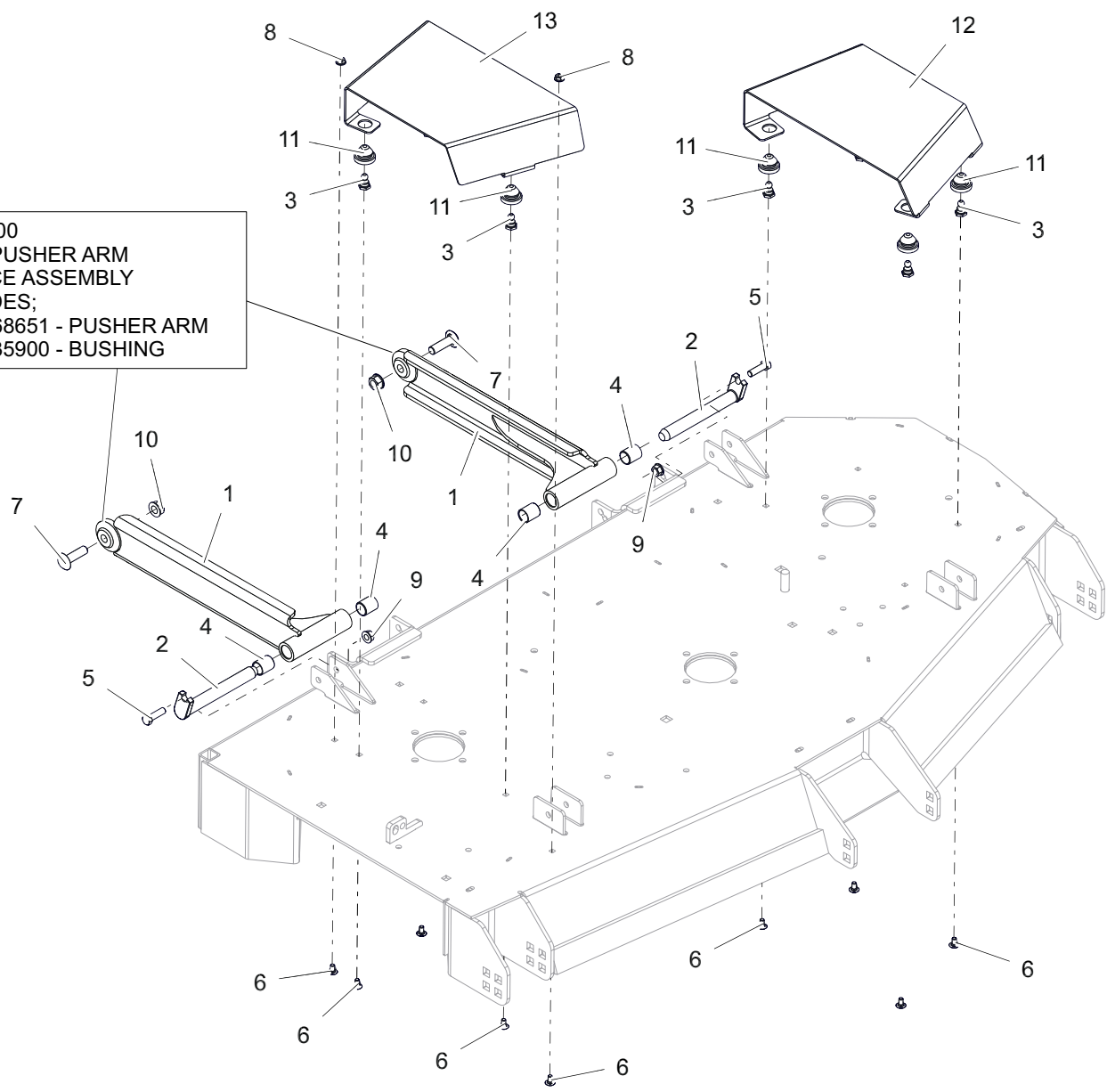


BOM ID	Number	Qty	Description
1	05255553	1	WLDMT, 72" LH VACUUM BAFFLE (RED)
2	09374453	1	WLDMT, VACUUM BAFFLE 72" RH (RED)
3	04962253	1	BAFFLE, DISCHARGE 72" (RED)
4	05268800	6	WHEEL, ANTI SCALP - 5X3 CTR W/RIBS
5	05286500	1	GRIP, STEP ANTI SKID
6	06200237	1	BTL,RHSSN .313-18 X 1 G5 ZCC
7	06200304	2	BTL,RHSSN .313-18 X 0.625 G5 ZCC
8	06200309	9	BTL,RHSSN .313-18 X 0.75 G5 ZCC
9	06200505	2	BOLT, BOLT, RHNS .50-13X4.50 G5 ZCC NS
10	06200506	2	BOLT, RHNS .50-13X8.00 G5 ZCC NS
11	06500840	10	NUT, FLG-CTR LK .312-18 GR5 ZCC
12	06500902	4	NUT, FLG-CTR LK .500-13 GF ZCC
13	07001916	2	NUT, COUPLING .312-18 X 1.625
14	07400126	7	SCR-TAP .38-16X.500 HWH ZCC
15	07533600	2	BUMPER, RUBBER

DECK STABILIZER ARMS AND BELT GUARDS – 52" AND 60"

Model 992500, 501, 503

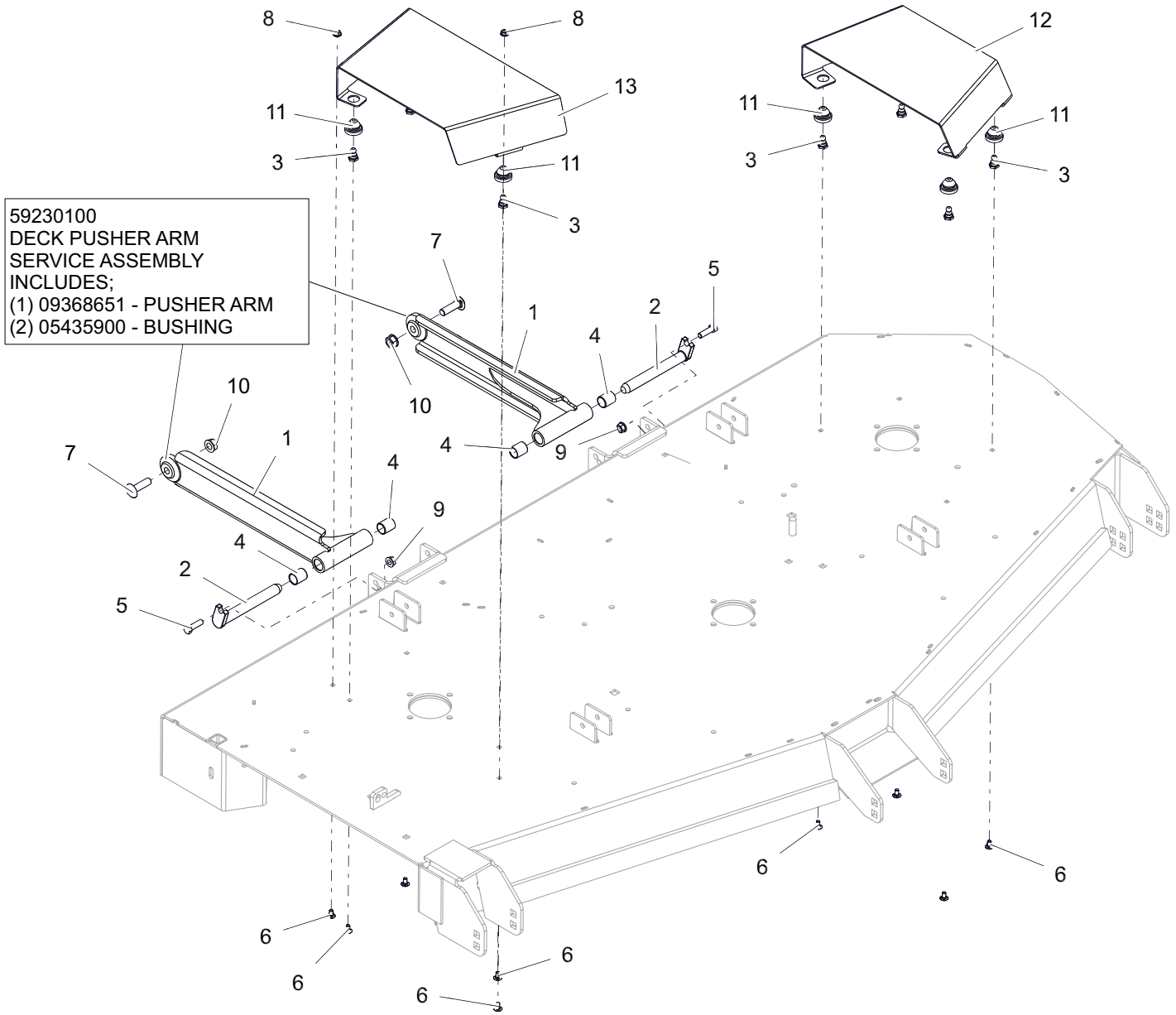
59230100
DECK PUSHER ARM
SERVICE ASSEMBLY
INCLUDES;
(1) 09368651 - PUSHER ARM
(2) 05435900 - BUSHING



BOM ID	Number	Qty	Description
1	09368651	2	WLDMT, DECK STABILIZER ARM (BLACK)
2	05157900	2	PIN, DECK MTG
3	05275900	7	STUD, BALL FEMALE .250-20 THREAD
4	05435900	4	BRG, .750 X .875 X 1.000
5	05901724	2	BLT, HEX 0.375-16X1.25 GR5 ZC120
6	06200305	9	BTL,RHSSN .250-20 X 0.5 G5 ZCC
7	06200439	2	BTL,RHSSN .500-13 X 1.75 G5 ZCC
8	06500821	2	NUT, FLG-CTR LK .250-20 GR5 ZC120
9	06500901	2	NUT, FLG-CTR LK .375-16 GR5 ZC120
10	06500902	2	NUT, FLG-CTR LK .500-13 GF ZCC
11	07500429	7	COUPLING, RUBBER PUSH-IN
12	09373453	1	GUARD, LH DECK BELT (RED)
13	09373553	1	GUARD, RH DECK BELT (RED)

DECK STABILIZER ARMS AND BELT GUARDS – 72"

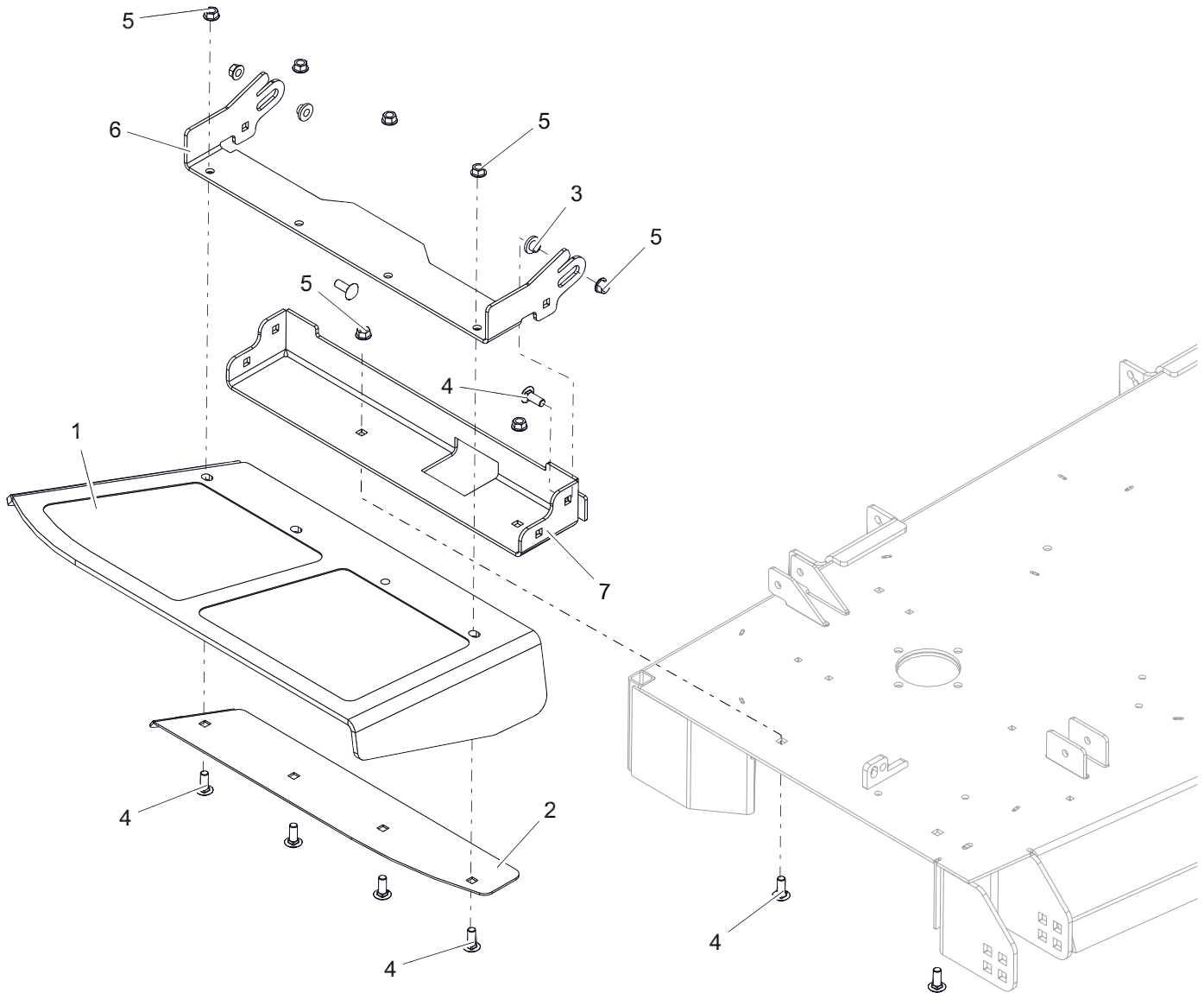
Model 992502, 504



BOM ID	Number	Qty	Description
1	09368651	2	WLDMT, DECK STABILIZER ARM (BLACK)
2	05157900	2	PIN, DECK MTG
3	05275900	7	STUD, BALL FEMALE .250-20 THREAD
4	05435900	4	BRG, .750 X .875 X 1.000
5	05901724	2	BLT, HEX 0.375-16X1.25 GR5 ZC120
6	06200305	9	BTL,RHSSN .250-20 X 0.5 G5 ZCC
7	06200439	2	BTL,RHSSN .500-13 X 1.75 G5 ZCC
8	06500821	2	NUT, FLG-CTR LK .250-20 GR5 ZC120
9	06500901	2	NUT, FLG-CTR LK .375-16 GR5 ZC120
10	06500902	2	NUT, FLG-CTR LK .500-13 GF ZCC
11	07500429	7	COUPLING, RUBBER PUSH-IN
12	09373853	1	GUARD, LH DECK BELT 72" (RED)
13	09373953	1	GUARD, RH DECK BELT 72" (RED)

DISCHARGE CHUTE

Model All



BOM ID	Number	Qty	Description
1	04880900	1	CHUTE, FORMED RUBBER DISCHARGE
2	04976153	1	PLATE, DICH CHUTE CLAMP (RED)
3	05500435	2	BUSHING FLANGED FLG .385 X .500 X .875 X .406
4	06200235	8	BTL,RHSSN .375-16 X 1 G5 ZCC
5	06500901	8	NUT, FLG-CTR LK .375-16 GR5 ZC120
6	09374253	1	BRKT, CHUTE MTG (RED)
7	59229900	1	BASE, DISCHARGE CHUTE MTG (RED) W/ SAFETY DECALS



655 West Ryan Street
Brillion, WI 54110

gravelly.com



ARIENS|CO