



Pro-Turn ZX

Parts Manual

Models:

991286 – Pro-Turn ZX 48"
(SN 000101+)

991288 – Pro-Turn ZX 52"
(SN 000101+)

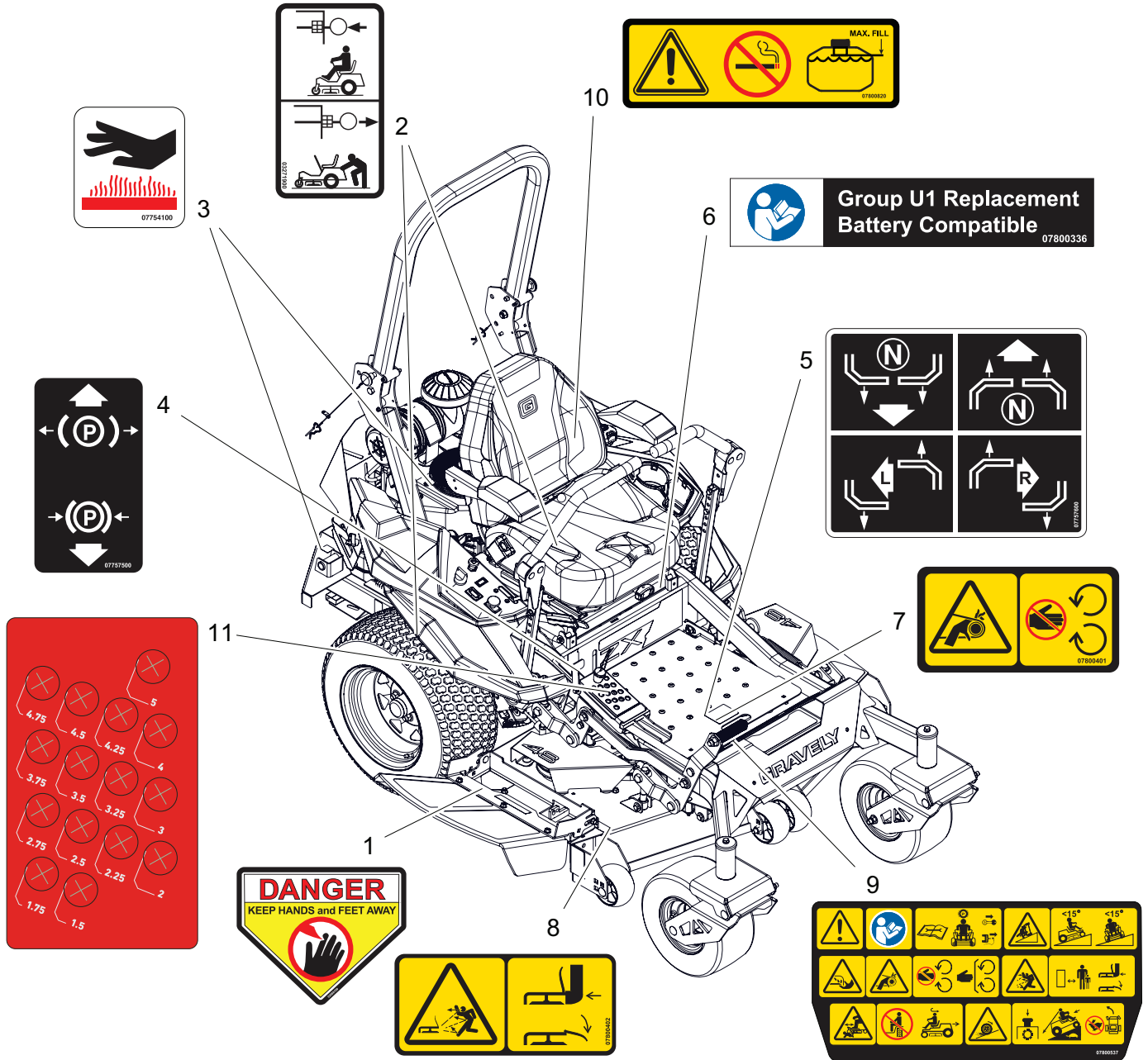
991290 – Pro-Turn ZX 60"
(SN 000101+)

TABLE OF CONTENTS

Decals – Safety	3	Transaxle Drive	22
Decals – Style – 48"	4	Control Panel	23
Decals – Style – 52"	5	Electrical.....	24
Decals – Style – 60"	6	Wiring Diagram	25
Frame – 48" and 52".....	7	Deck Lift – LH.....	26
Frame – 60".....	8	Deck Lift – RH.....	27
Engine – Kawasaki FX730	9	Deck, Belts, Blades and Spindles – 48"	28
Clutch	10	Deck, Belts, Blades and Spindles – 52"	29
Heat Shield	11	Deck, Belts, Blades and Spindles – 60"	30
Seat	12	Idlers and Sheaves – 48"	31
Seat Latch	13	Idlers and Sheaves – 52" and 60"	32
Engine Guard and Fenders	14	Anti-Scalp Wheels – 48"	33
Fuel System.....	15	Anti-Scalp Wheels – 52" and 60"	34
Controls	16	Belt Covers – 48"	35
Parking Brake	17	Belt Covers – 52"	36
ROPS	18	Belt Covers – 60"	37
Front Caster Wheels.....	19	Discharge Chute – 48"	38
Rear Tires and Transaxles – 48" and 52".....	20	Discharge Chute – 52" and 60"	39
Rear Tires and Transaxles – 60"	21		

DECALS – SAFETY

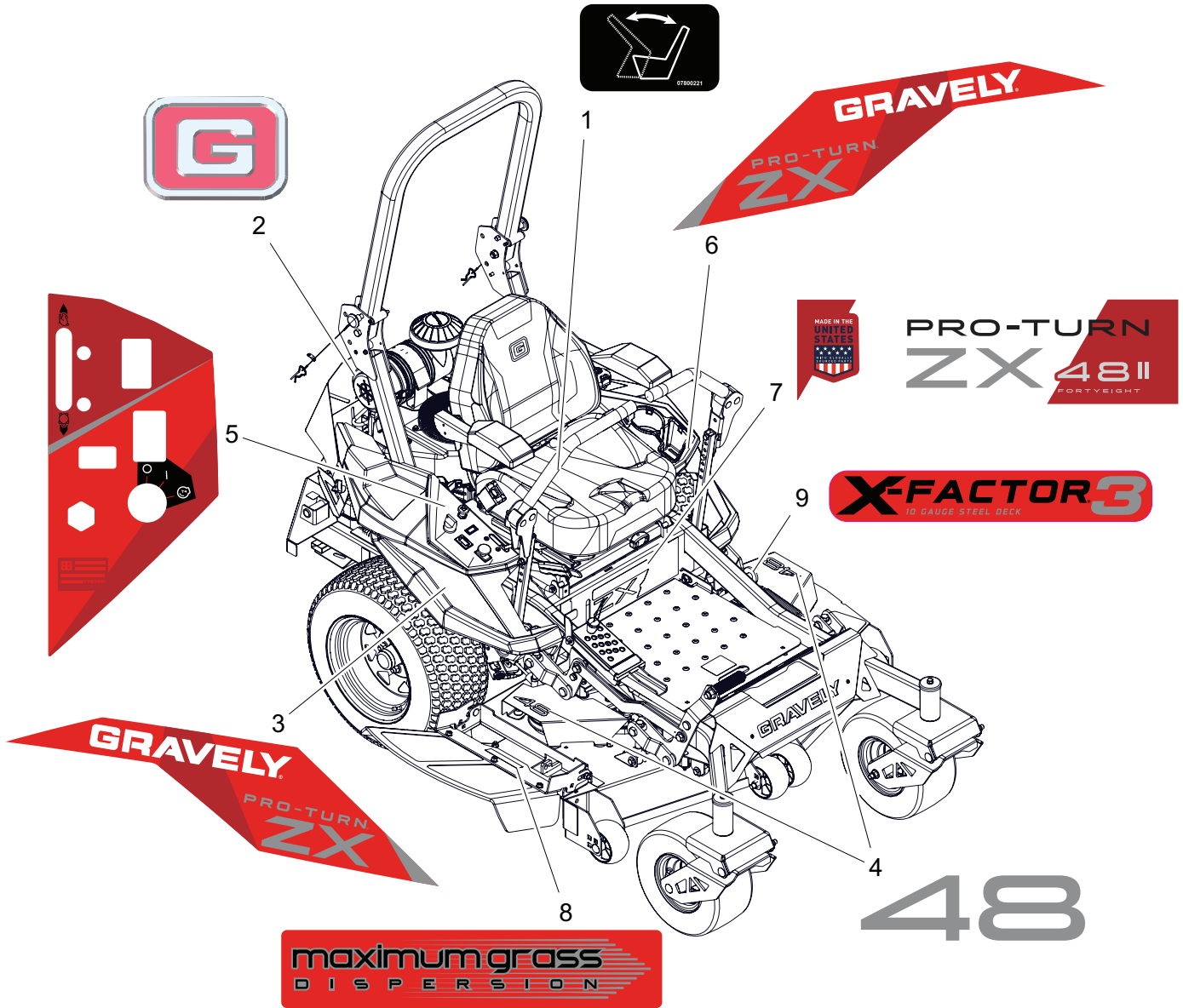
Model All



BOM ID	Number	Qty	Description
1	02988100	1	DECAL, DANGER
2	03271900	2	DECAL, TRANSMISSION DISCONNECT
3	07754100	2	DECAL, HOT SURFACE
4	07757500	1	DECAL, PARKING BRAKE LEVER
5	07757600	1	DECAL, INSTRUCTION - STEERING
6	07800336	1	DECAL, INSTRUCTION - U1 REPLACEMENT BATTERY
7	07800401	1	DECAL, SAFETY - GUARDING
8	07800402	1	DECAL, SAFETY - DECK GUARDING
9	07800537	1	DECAL, MAIN SAFETY
10	07800820	1	DECAL, FUEL WARNING
11	07801210	1	DECAL, HEIGHT OF CUT

DECALS – STYLE – 48"

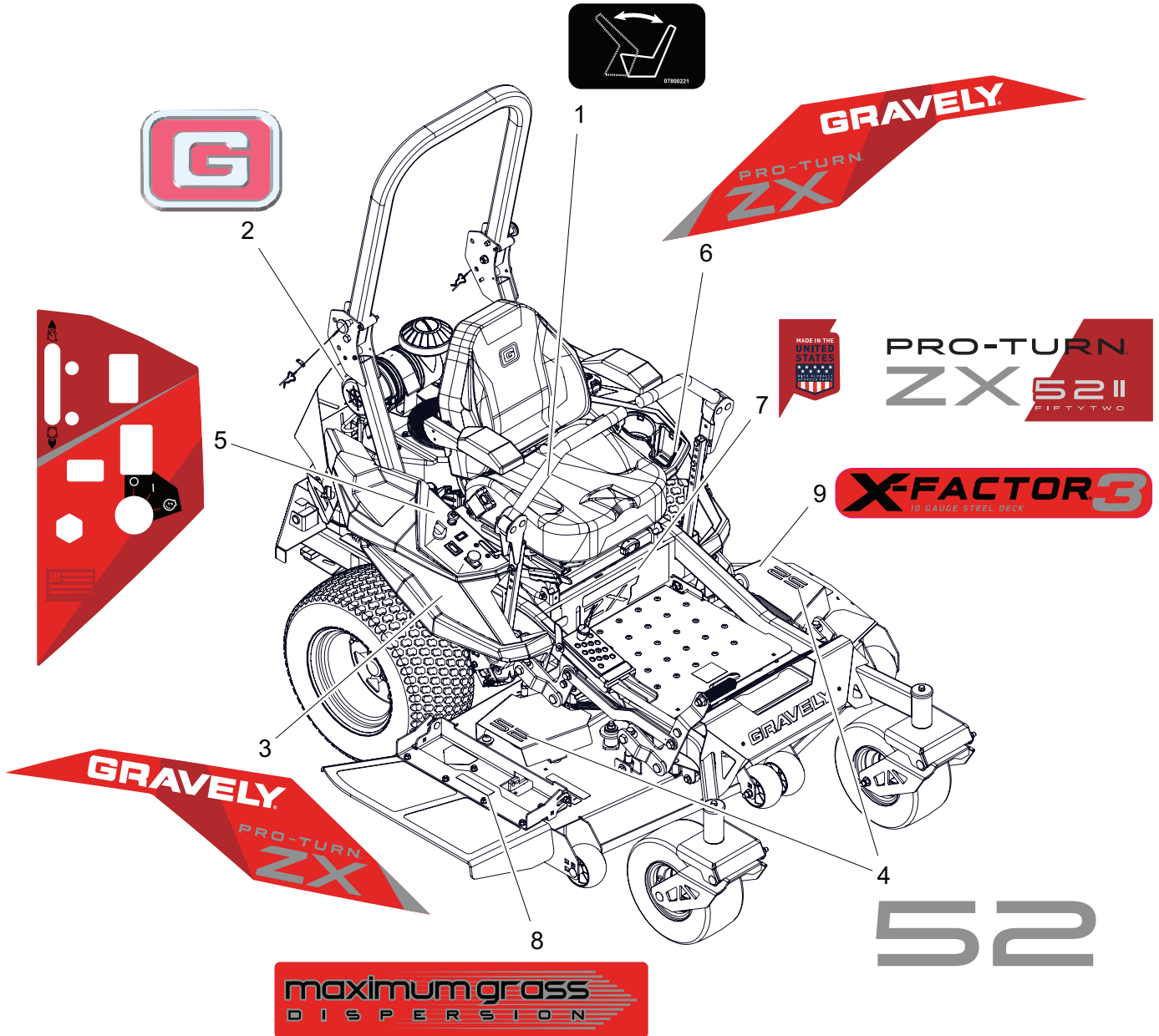
Model 991286



BOM ID	Number	Qty	Description
1	07800221	1	DECAL, SEAT RELEASE
2	07800534	1	DECAL, GRAVELY BRAND
3	07801214	1	DECAL, FENDER RH - PTZX
4	07801123	2	DECAL, DECK - 48
5	07801126	1	DECAL, CONTROL PANEL
6	07801213	1	DECAL, FENDER LH - PTZX
7	07801115	1	DECAL, PTZX - 48
8	07801229	1	DECAL, DECK - MAX GRASS
9	07801609	1	DECAL, X-FACTOR 3

DECALS – STYLE – 52"

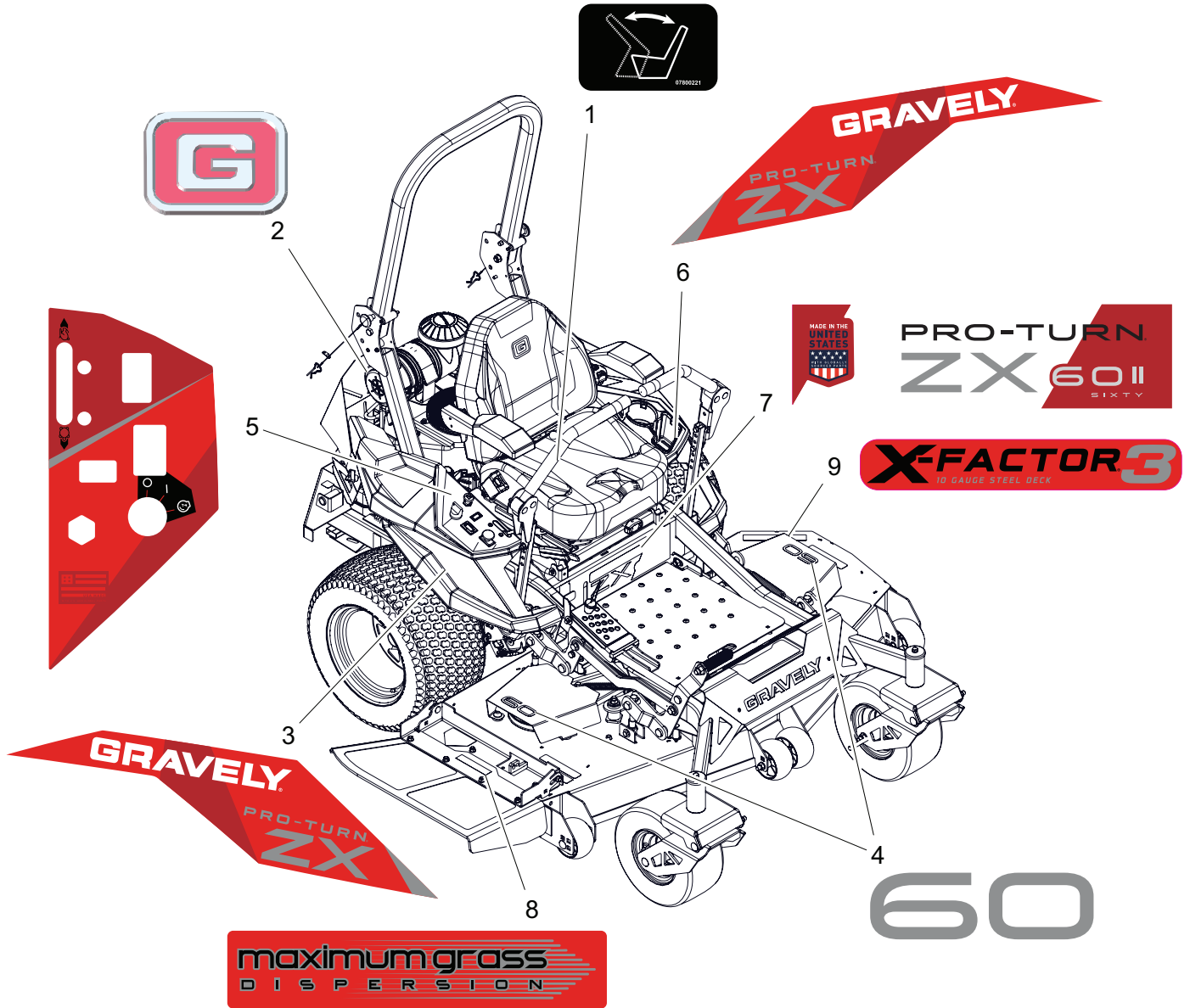
Model 991288



BOM ID	Number	Qty	Description
1	07800221	1	DECAL, SEAT RELEASE
2	07800534	1	DECAL, GRAVELLY BRAND
3	07801214	1	DECAL, FENDER RH - PTZX
4	07801124	2	DECAL, DECK - 52
5	07801126	1	DECAL, CONTROL PANEL
6	07801213	1	DECAL, FENDER LH - PTZX
7	07801116	1	DECAL, PTZX - 52
8	07801229	1	DECAL, DECK - MAX GRASS
9	07801609	1	DECAL, X-FACTOR 3

DECALS – STYLE – 60"

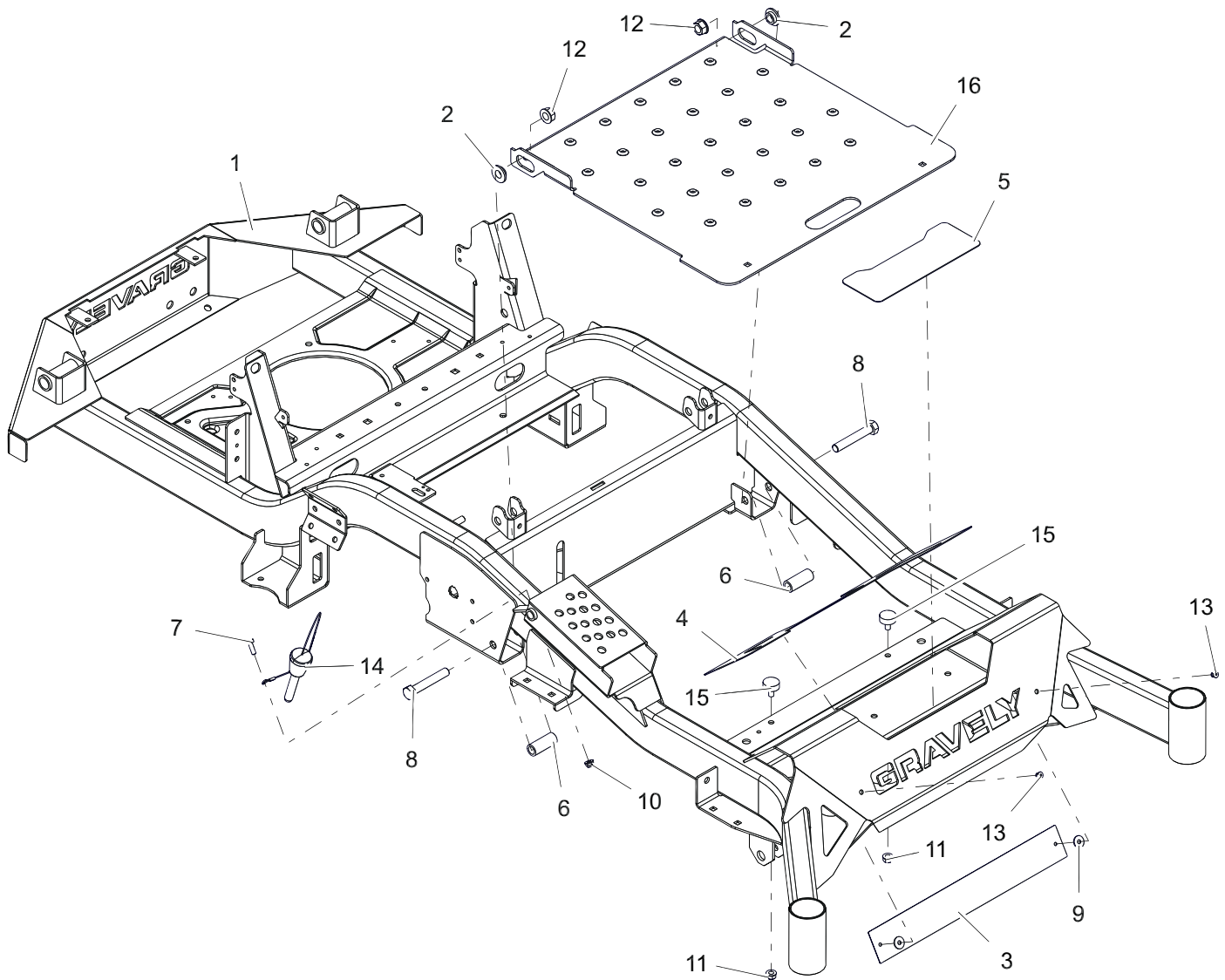
Model 991290



BOM ID	Number	Qty	Description
1	07800221	1	DECAL, SEAT RELEASE
2	07800534	1	DECAL, GRAVELY BRAND
3	07801214	1	DECAL, FENDER RH - PTZX
4	07801125	2	DECAL, DECK - 60
5	07801126	1	DECAL, CONTROL PANEL
6	07801213	1	DECAL, FENDER LH - PTZX
7	07801117	1	DECAL, PTZX - 60
8	07801229	1	DECAL, DECK - MAX GRASS
9	07801609	1	DECAL, X-FACTOR 3

FRAME – 48" AND 52"

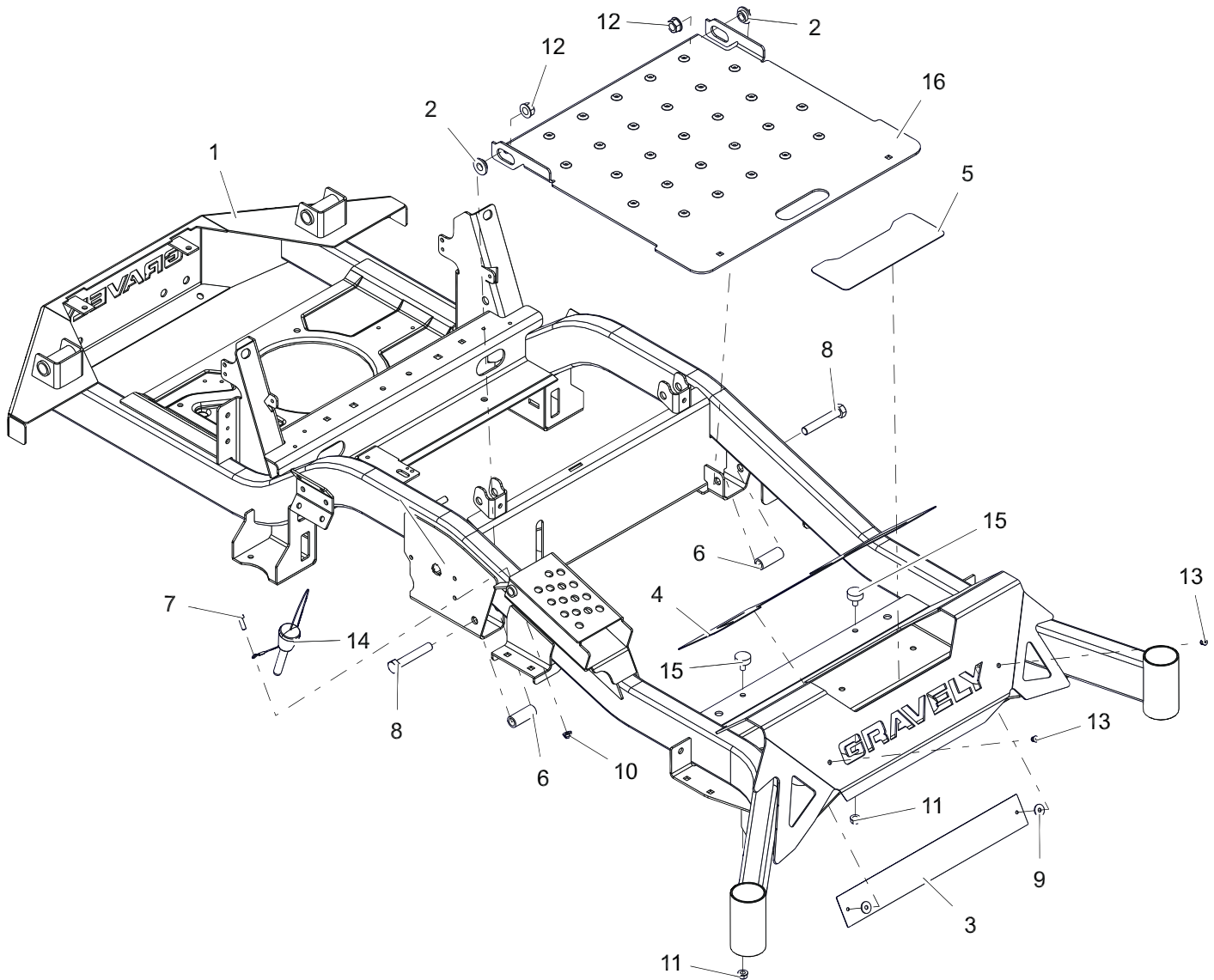
Model 991286, 288



BOM ID	Number	Qty	Description
1	59117500	1	WLDMT, MAIN FRAME -HD 44/52
2	03989100	2	BUSHING FLANGED .515X.750X.31X1.12
3	04718451	1	PLATE, BACK
4	05104800	1	GRIP, FRONT
5	05109100	1	GRIP, STEP
6	05501319	2	SPCR, .515X.75X1.83
7	05901716	1	BLT, HEX 0.25-20X0.75 GR5 ZC120
8	05901737	2	BLT, HEX 0.5-13X3 GR5 ZCC
9	06401214	2	WSHR, RBR W/ADHESIVE .25X.75X.06
10	06500813	1	NUT, LK-NYL-FLG .25-20 GR5 ZC120
11	06500815	2	NUT, FLG-SPNLK .312-18 GR5 ZC120
12	06500907	2	NUT, FLG-TOP LK .500-13 GF ZCC
13	06800120	2	RVT, POP .187x.250 AL/AL
14	06800203	1	PIN, MAGNETIC .50X2.50
15	07533600	2	BUMPER, RUBBER
16	59113500	1	KIT,ACCESS PANEL W/DECALS-RED

FRAME - 60"

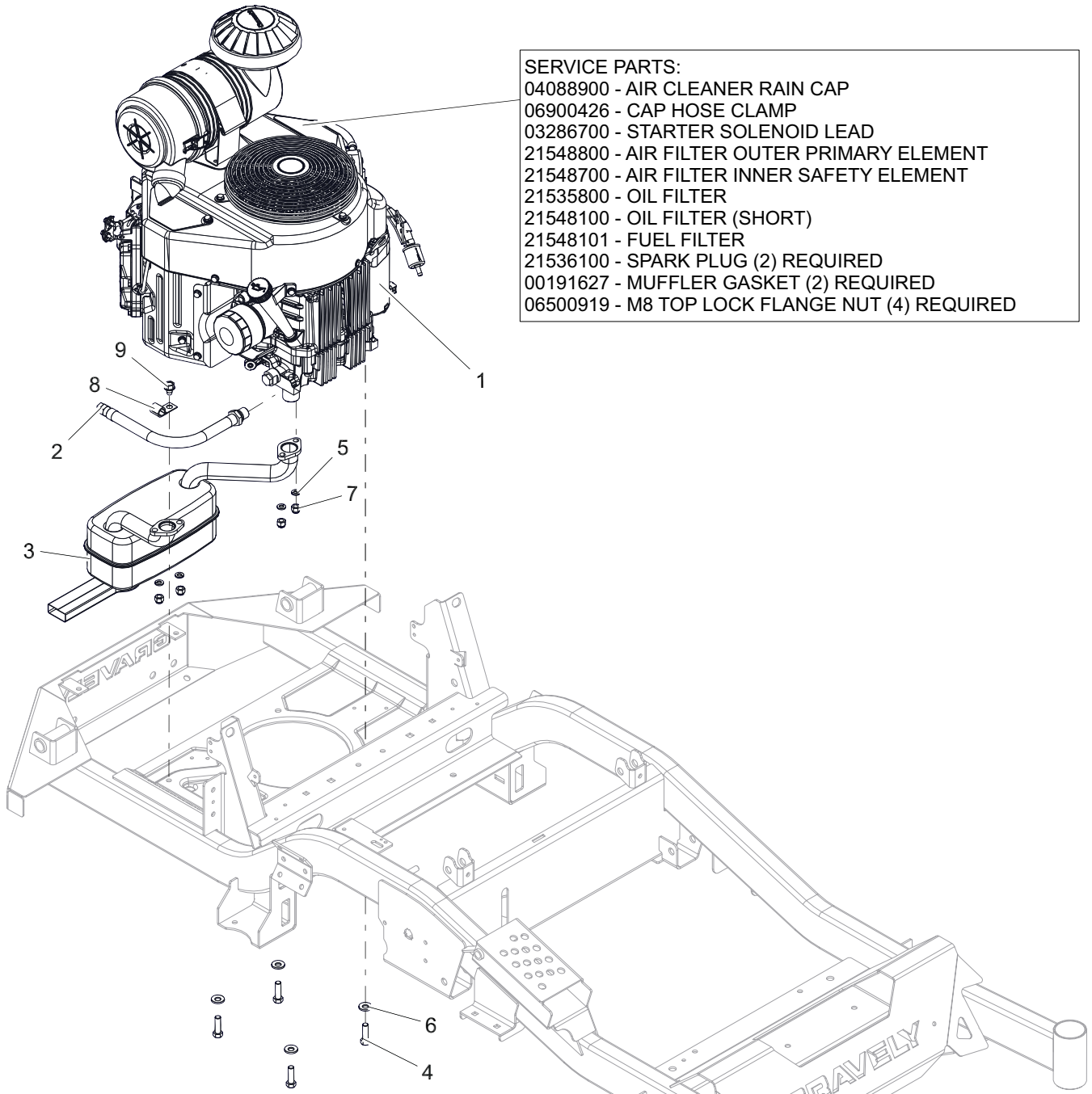
Model 991290



BOM ID	Number	Qty	Description
1	59117400	1	WLDMT, MAIN FRAME -HD 60 (RED)
2	03989100	2	BUSHING FLANGED .515X.750X.31X1.12
3	04718451	1	PLATE, BACK
4	05104800	1	GRIP, FRONT
5	05109100	1	GRIP, STEP
6	05501319	2	SPCR, .515X.75X1.83
7	05901716	1	BLT, HEX 0.25-20X0.75 GR5 ZC120
8	05901737	2	BLT, HEX 0.5-13X3 GR5 ZCC
9	06401214	2	WSHR, RBR W/ADHESIVE .25X.75X.06
10	06500813	1	NUT, LK-NYL-FLG .25-20 GR5 ZC120
11	06500815	2	NUT, FLG-SPNLK .312-18 GR5 ZC120
12	06500907	2	NUT, FLG-TOP LK .500-13 GF ZCC
13	06800120	2	RVT, POP .187x.250 AL/AL
14	06800203	1	PIN, MAGNETIC .50X2.50
15	07533600	2	BUMPER, RUBBER
16	59113500	1	KIT,ACCESS PANEL W/DECALS-RED

ENGINE – KAWASAKI FX730

Model All

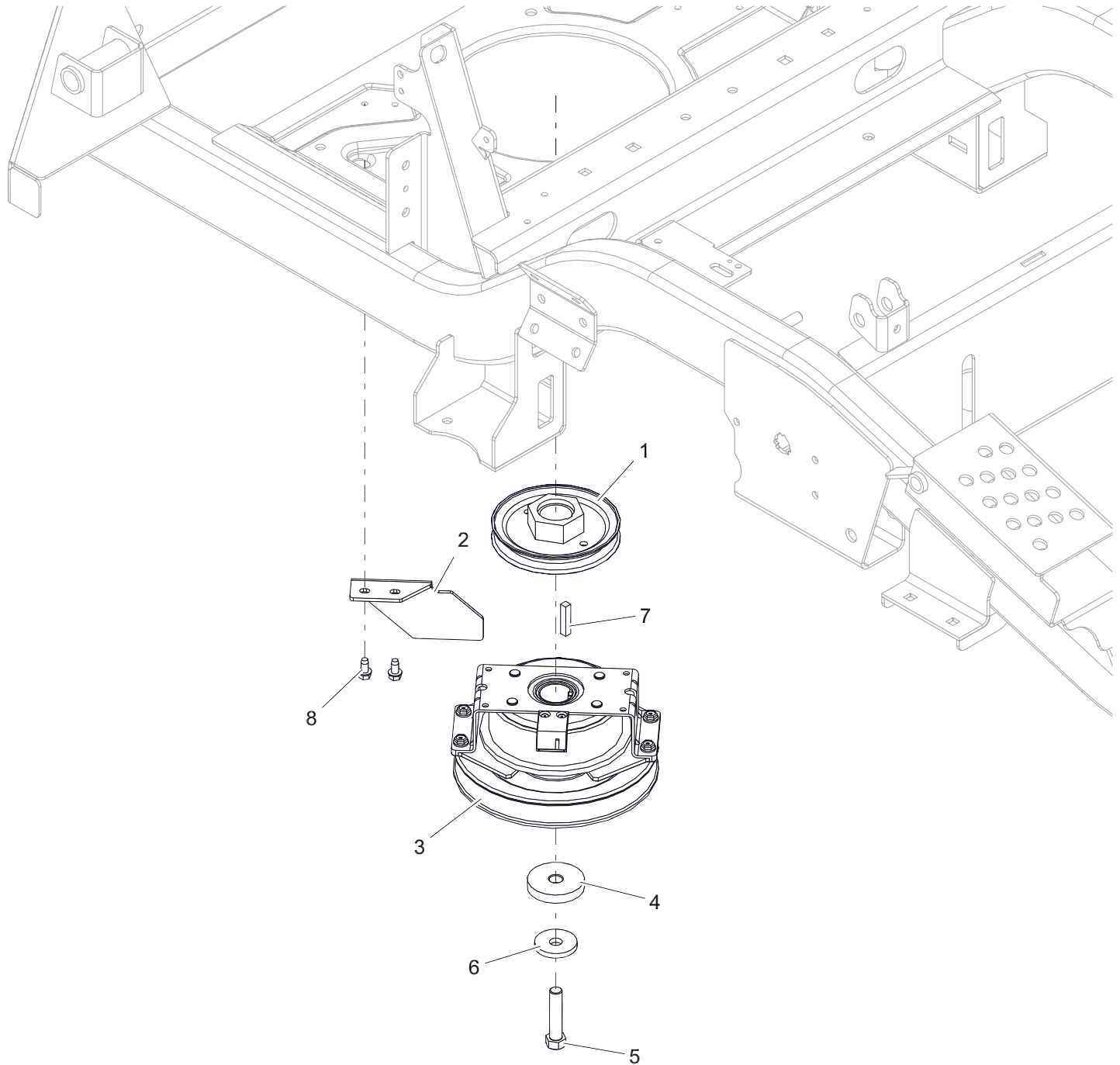


SERVICE PARTS:
 04088900 - AIR CLEANER RAIN CAP
 06900426 - CAP HOSE CLAMP
 03286700 - STARTER SOLENOID LEAD
 21548800 - AIR FILTER OUTER PRIMARY ELEMENT
 21548700 - AIR FILTER INNER SAFETY ELEMENT
 21535800 - OIL FILTER
 21548100 - OIL FILTER (SHORT)
 21548101 - FUEL FILTER
 21536100 - SPARK PLUG (2) REQUIRED
 00191627 - MUFFLER GASKET (2) REQUIRED
 06500919 - M8 TOP LOCK FLANGE NUT (4) REQUIRED

BOM ID	Number	Qty	Description
1	08200722	1	ENGINE, KAWASAKI - FX730
2	07001730	1	HOSE, OIL DRAIN
3	04754300	1	MUFFLER, KAWASAKI
4	05901808	4	BLT, HEX 0.375-16X1.25 GR5 ZCC NT
5	06300119	4	WSHR,LK-REG 0.314 X 0.078 ZCC
6	06400927	4	WSHR, 3/8" SPRING DISC
7	06500817	4	NUT, LK-NYL M8-1.25 GR8.8 ZCC
8	06916000	1	J-CLAMP
9	07400126	1	SCR-TAP .38-16X.500 HWH ZCC

CLUTCH

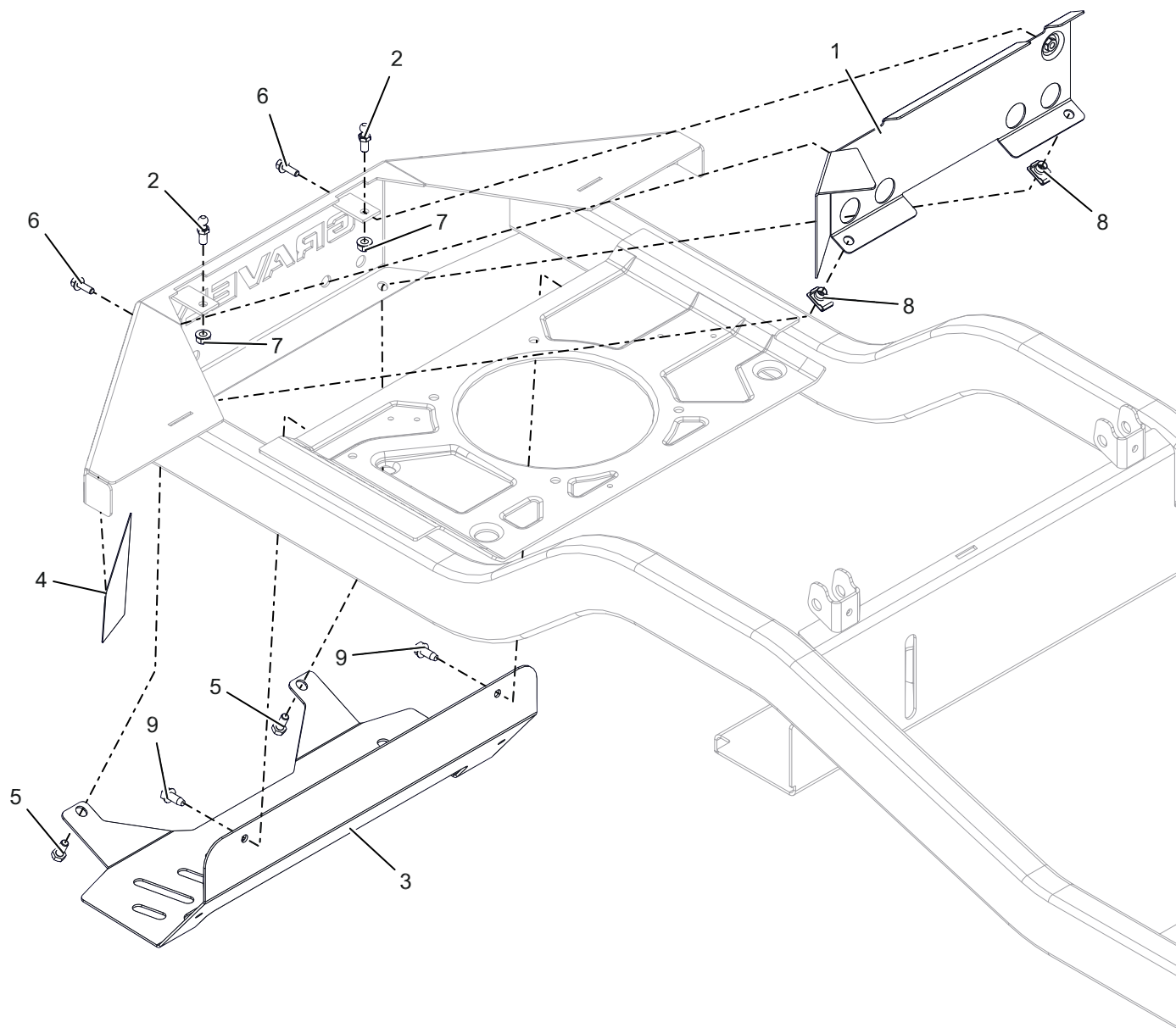
Model All



BOM ID	Number	Qty	Description
1	07348700	1	PULLEY, 4.50 OD X 1.127 ENGINE
2	05016151	1	BRKT, CLUTCH STOP (HD)
3	05191600	1	CLUTCH, OGURA DBL SPRG, 1.125
4	05501240	1	SPCR, .474/.459 X 2.00 X .350
5	05901916	1	BLT, HEX 0.4375-20X2 G8 ZCC NT
6	06400936	1	WSHR, 7/16" SPRING DISC
7	06603400	1	KEY-SQ .250X.250X1.250
8	07400122	2	SCR-TAP .25-20X.50 HWH ZCC

HEAT SHIELD

Model All

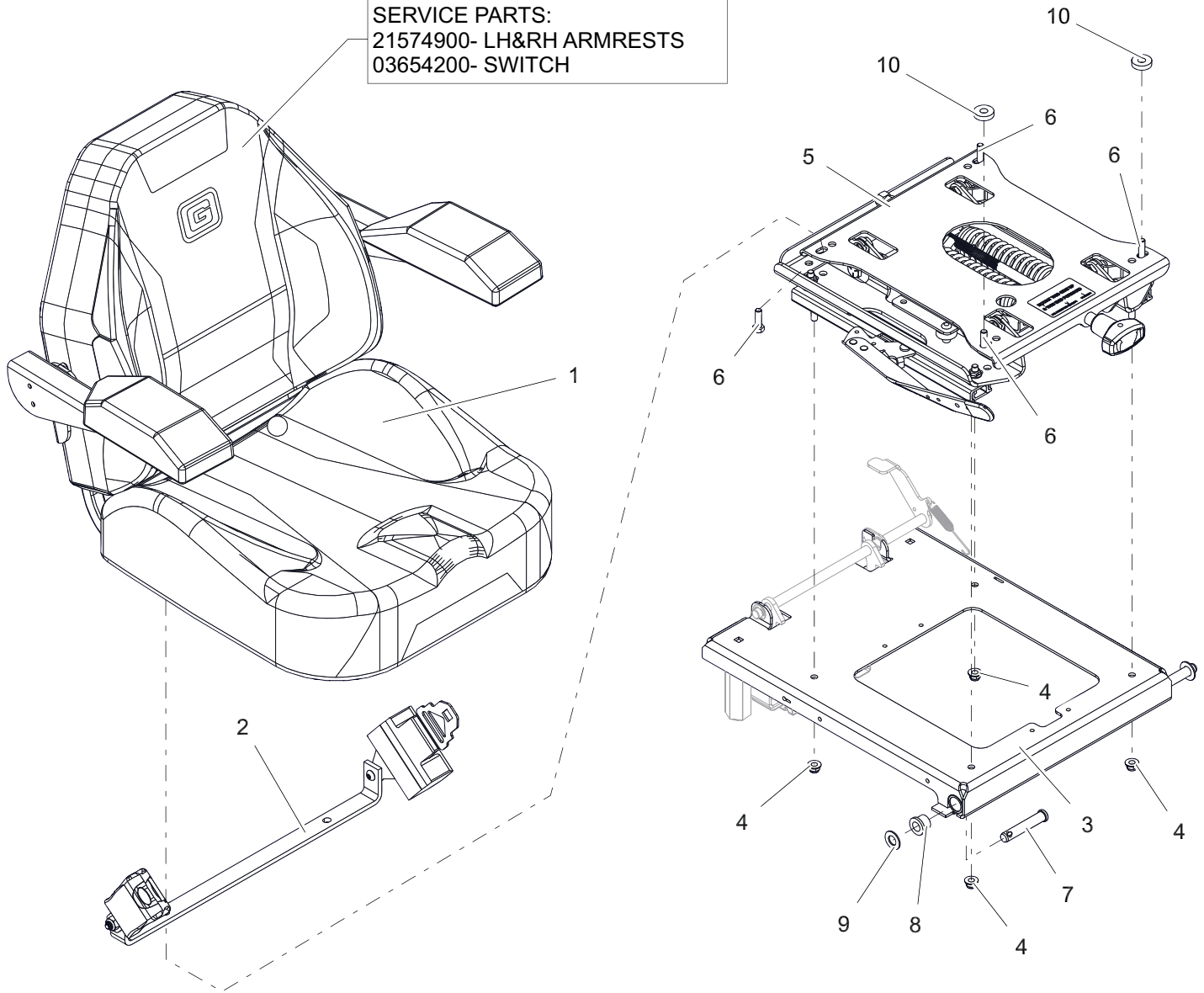


BOM ID	Number	Qty	Description
1	05116751	1	WLDMT, HEAT BAFFLE (BLACK)
2	03652200	2	STUD-BALL
3	05082851	1	SHIELD, HEAT (HD) (BLACK)
4	05116800	1	TAPE, HEAT
5	05901704	2	BLT, HEX 0.3125-18X0.75 GR5 ZC120
6	05901731	2	BLT, HEX-FLG 0.25-20X0.75 GR5 ZB500
7	06500840	2	NUT, FLG-CTR LK .312-18 GR5 ZCC
8	07000829	2	NUT-CLIP RETAINER 5/16-18X.56
9	07400127	2	SCR-TAP .312-18X.75 HWH ZCC

SEAT

Model All

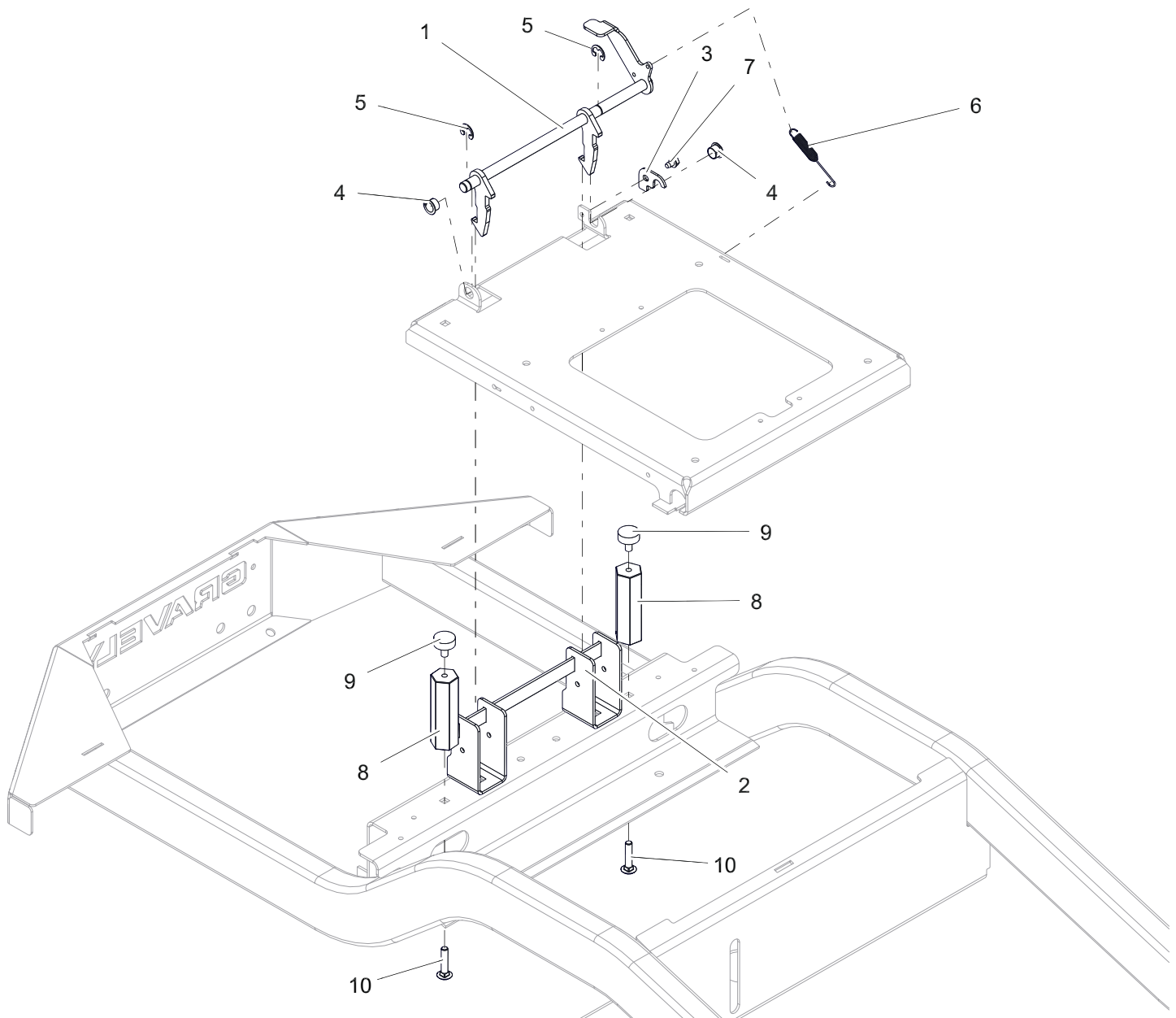
SERVICE PARTS:
21574900- LH&RH ARMRESTS
03654200- SWITCH



BOM ID	Number	Qty	Description
1	09190900	1	SEAT, HD
2	59110000	1	BELT, SEAT
3	05255751	1	WLDMT, SEAT PLATE (BLACK)
4	06500809	4	NUT, LK-NYL-FLG .31-18 GR5 ZC120
5	09380900	1	SUSPENSION, ULTRA LOW W/ SLIDES
6	05901701	4	BLT, HEX 0.3125-18X1 GR5 ZC120
7	06800202	2	PIN, SLIC-.500X42.70X2.31 -ZC
8	05500901	2	BUSHING FLANGED .516 X .750 X .625 X .937
9	06401115	2	WSHR-FL-STL 0.531X1X0.063 ZCC
10	06401125	2	WSHR-FL-STL 0.39X1X0.25 ZCC

SEAT LATCH

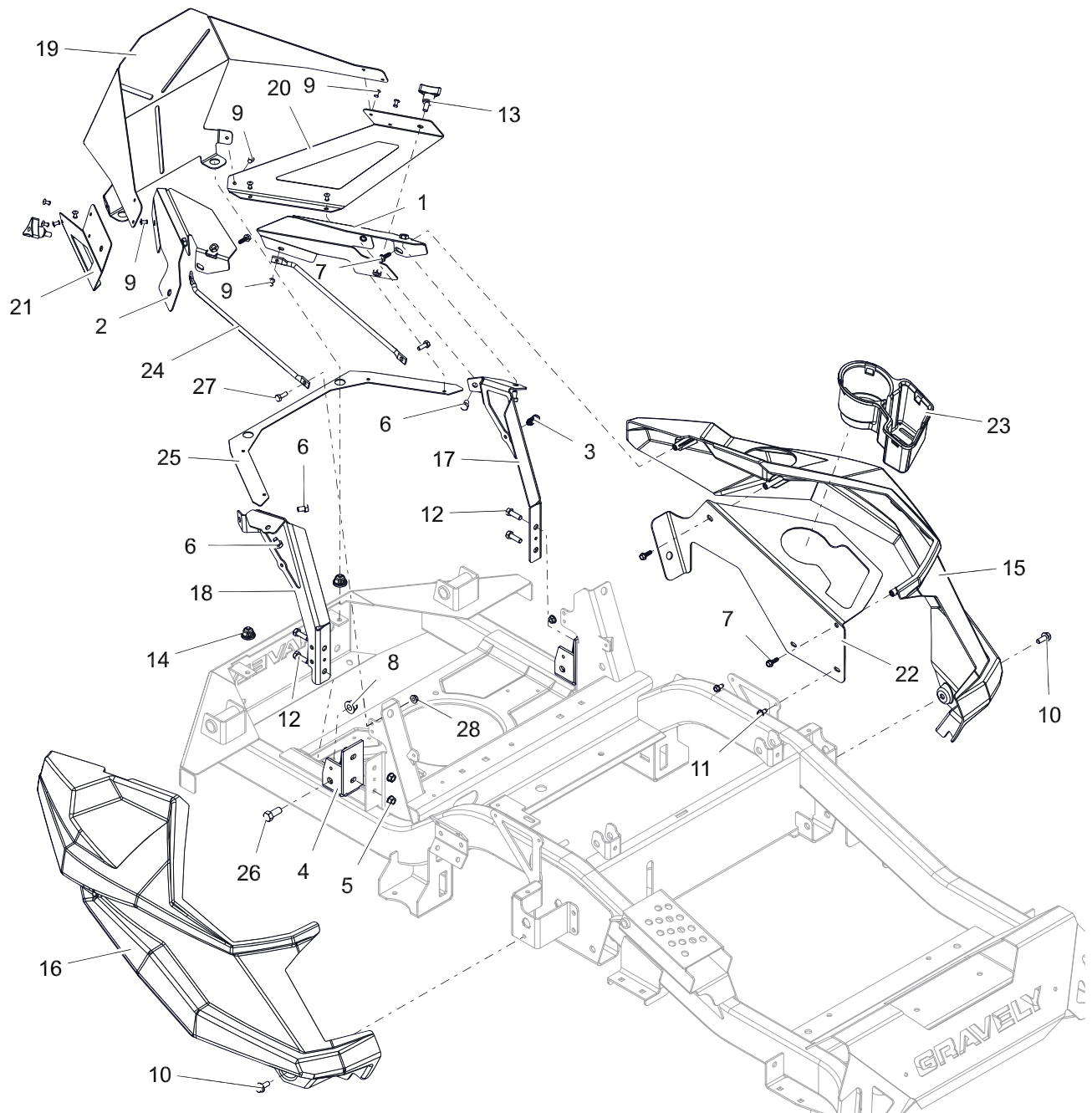
Model All



BOM ID	Number	Qty	Description
1	05255851	1	WLDMT, SEAT LATCH (BLACK)
2	05118451	1	WLDMT, LATCH RECIEVER (BLACK)
3	05255951	1	BRKT, ROD KEEPER (BLACK)
4	05500026	2	BUSHING, POLYLINER - .50 SPLIT
5	05710200	2	RING, RETAINING EXT .500X.042 (E)
6	08321100	1	SPRG, EXTENSION - .043 X .440 X 3.310
7	07400125	1	SCR-TAP .25-20X.38 HWH ZCC
8	06553300	2	NUT, COUPLER 5/16-18 X 1.125X 3.8
9	07533600	2	BUMPER, RUBBER
10	06200233	2	BTL,RHSN .313-18 X 1.5 G5 ZCC

ENGINE GUARD AND FENDERS

Model All

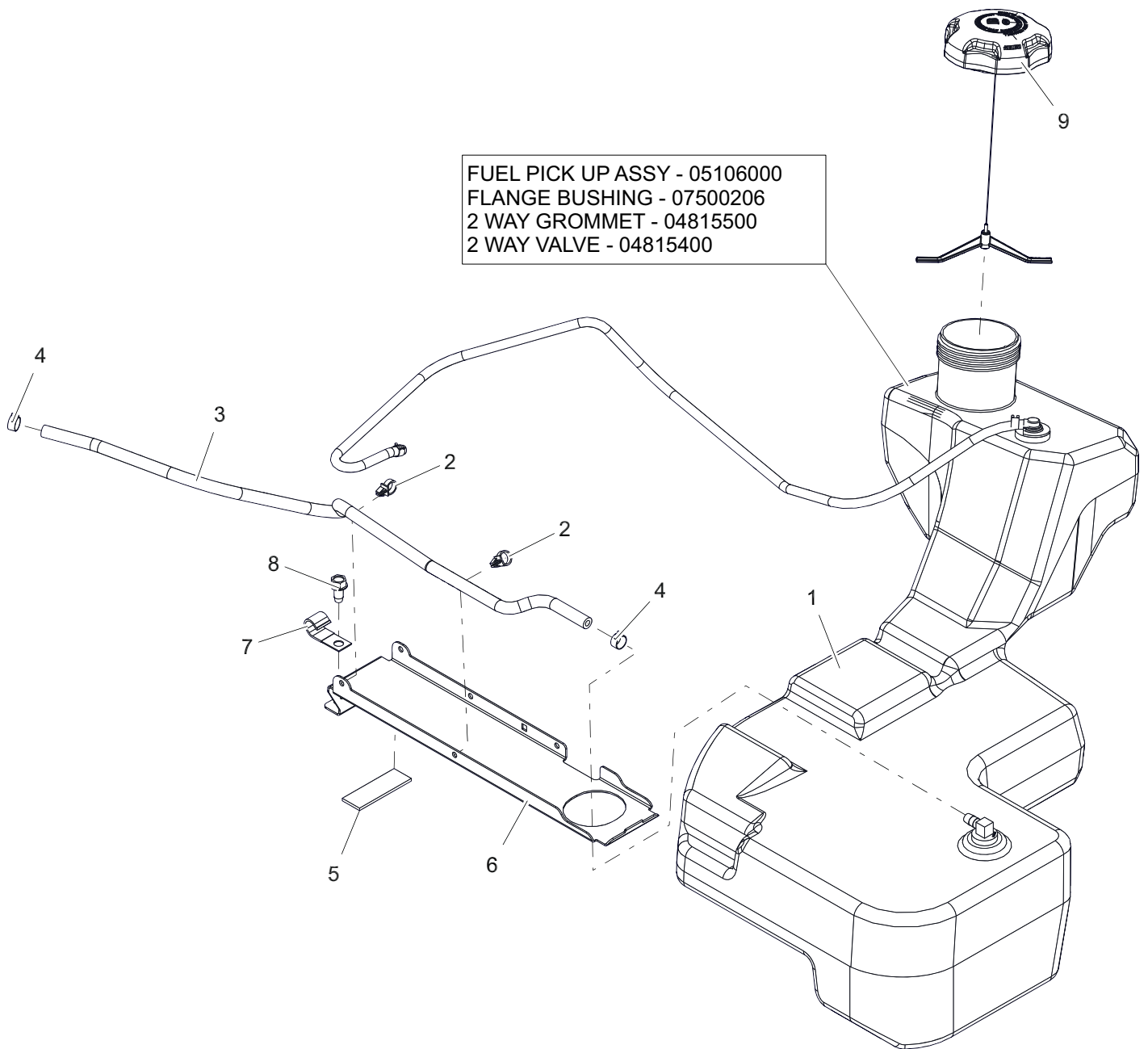


BOM ID	Number	Qty	Description
1	09188853	1	PANEL, LH (RED)
2	09188953	1	PANEL, RH (RED)
3	04451600	1	CLIP, CABLE GUIDE
4	05248051	2	BRKT, ROPS SUPPORT (BLACK)
5	06500840	4	NUT, FLG-CTR LK .312-18 GR5 ZCC
6	05901904	4	BLT, HEX 0.3125-18X0.5 GR5 ZCC
7	06100231	4	SCR, PLASTITE-HWH 0.25 X 0.75 ZC120
8	06500811	2	NUT, LK-NYL-FLG .44-14 GR5 ZC120
9	06800107	12	RVT-POP .187x.375 (#66) BLACK
10	07001820	2	BLT, SERHFWH 0.312-18X0.75 GR5 ZCC
11	07400122	2	SCR-TAP .25-20X.50 HWH ZCC
12	05901802	4	BLT, HEX 0.3125-18X1 GR8 ZCC
13	07500008	2	KNOB, WING STUD .312-18X.75
14	07500407	2	GROMMET, 10mm BOLLHOFF
15	09188100	1	FENDER, LH

BOM ID	Number	Qty	Description
16	09188200	1	FENDER, RH
17	09188353	1	BRKT, LH FENDER MTG (RED)
18	09188453	1	BRKT, RH FENDER MTG (RED)
19	09188551	1	WRAP, REAR (BLACK)
20	09188653	1	WRAP, REAR - LH (RED)
21	09188753	1	WRAP, REAR - RH (RED)
22	09189153	1	PANEL, HD CUPHOLDER (RED)
23	09190800	1	HOLDER, CUP
24	09362700	2	ROD, STIFFENER
25	09363253	1	STIFFENER, BACK WRAP (RED)
26	05901913	2	BLT, HEX 0.4375-14X1 GR5 ZCC
27	05901716	2	BLT, HEX 0.25-20X0.75 GR5 ZC120
28	06500821	2	NUT, FLG-CTR LK .250-20 GR5 ZC120

FUEL SYSTEM

Model All

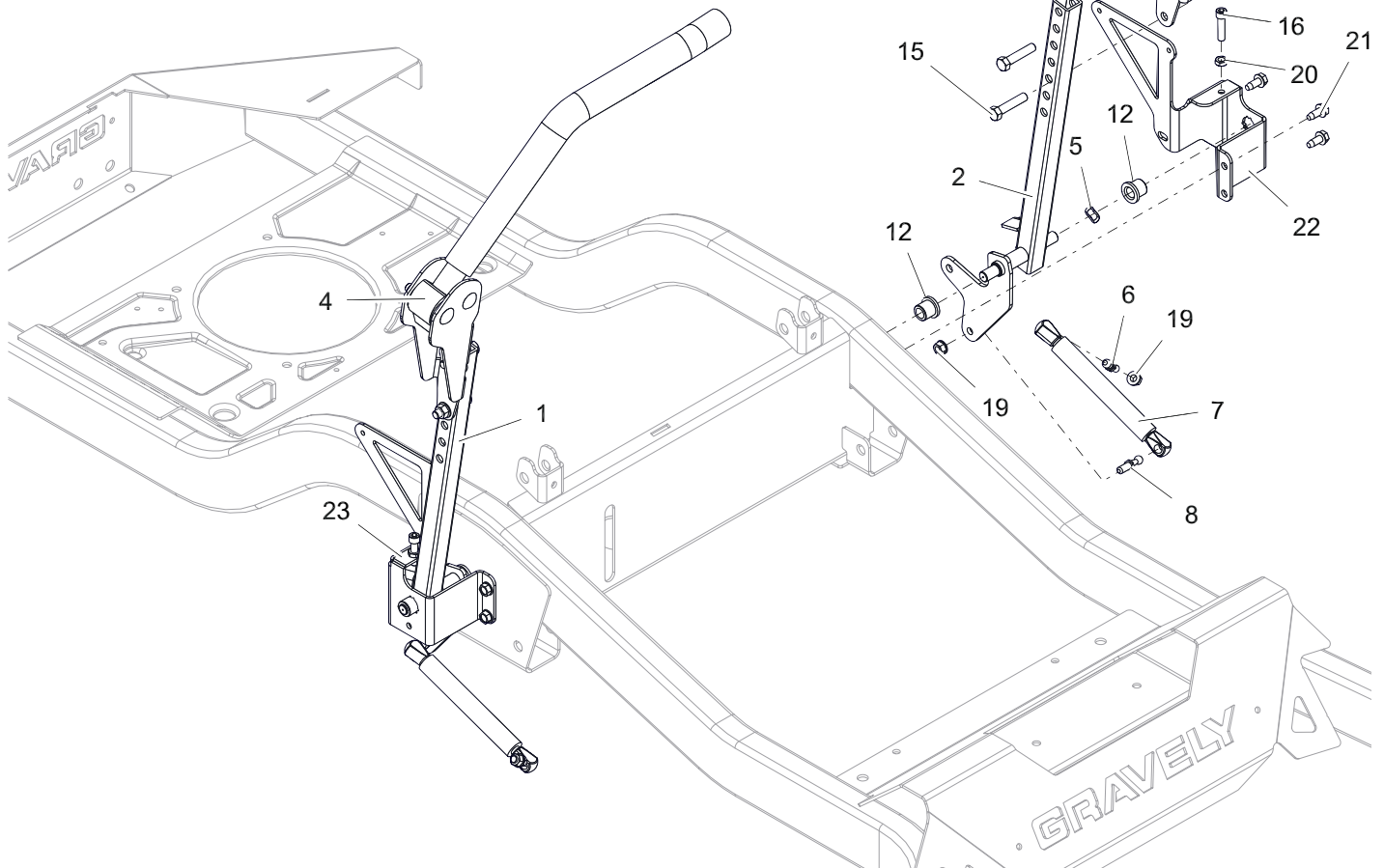


BOM ID	Number	Qty	Description
1	09167300	1	ASM, FUEL TANK-HD
2	00367900	2	CLIP, ROUTING (.50 ID)
3	03278100	1	HOSE, .25 LOW PERM FUEL-27" LG.
4	03278800	2	CLAMP, FUEL LINE
5	04850000	1	PAD, RBR 1.0"X3.0" W/ADHESIVE
6	05024151	1	BRKT, FUEL TANK HOLD DOWN (BLACK)
7	06916000	1	J-CLAMP
8	07400129	1	SCR-TAP .38-16X.75 HWH ZCC
9	09190300	1	CAP, FUEL - 3.50 RATCHET INLET VENT

CONTROLS

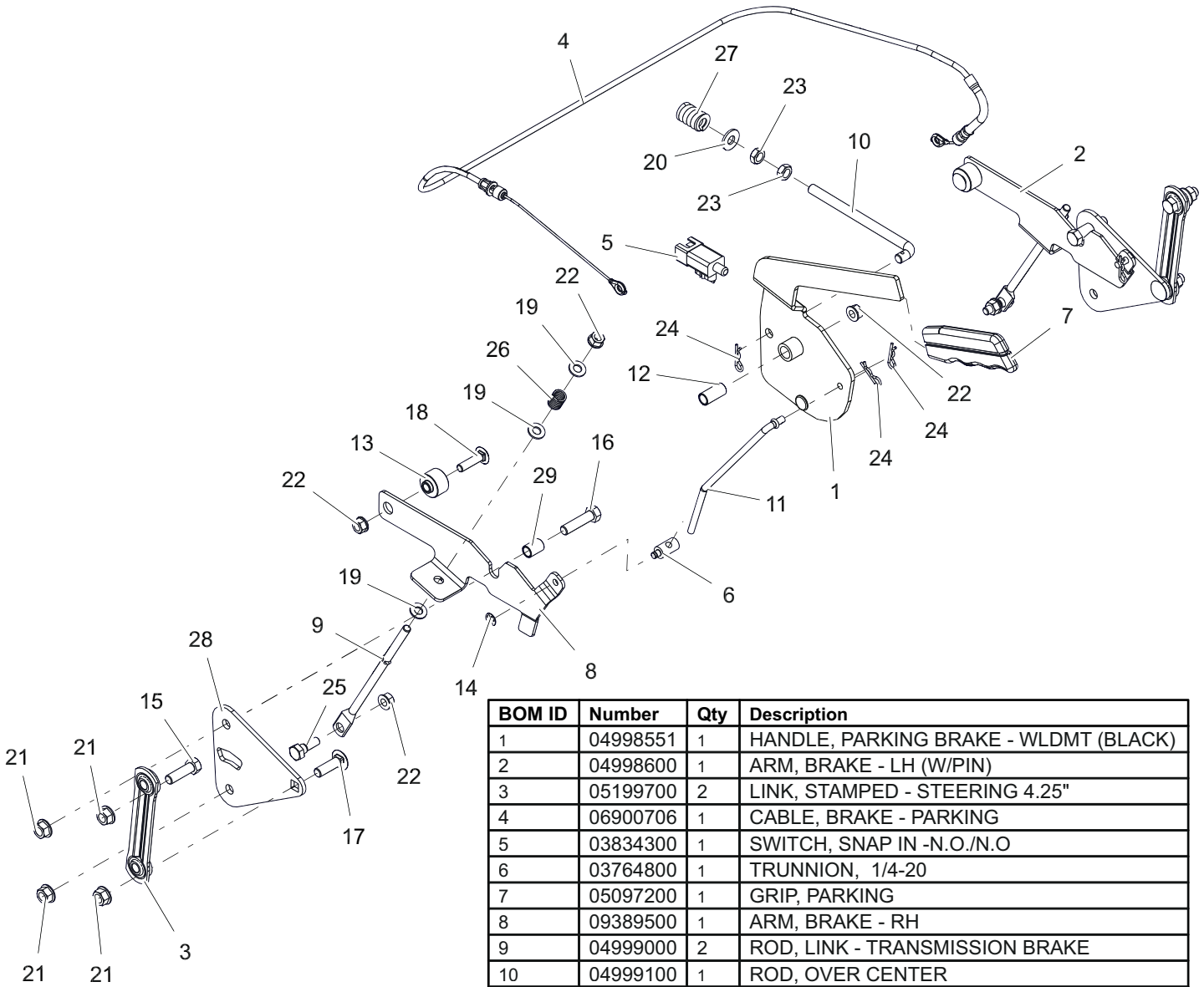
Model All

BOM ID	Number	Qty	Description
1	05243953	1	WLDMT, STEERING RH (RED)
2	05244053	1	WLDMT, STEERING -LH (RED)
3	05261853	1	WLDMT, CONTROL HANDLE-LH (RED)
4	05262153	1	WLDMT, CONTROL HANDLE-RH (RED)
5	00325400	2	WAVE WASHER .531X.781X.125 FH
6	03652200	2	STUD-BALL
7	03769800	2	DAMPER, STEERING
8	04097100	2	STUD, BALL THREADED
9	04383600	2	GRIP, HANDLEBAR
10	04413600	2	SPCR, STEERING ARM
11	05068753	2	BRKT, ADJ UPPER CONTROL ARM (RED)
12	05501001	4	BSHG, FLANGE .500X.750X.750X.125
13	05501223	2	BSHG, ECCENTRIC .328 X .750 X 1.625
14	05525200	4	BSHG, FLANGE .762 X 1.48 X .44 NYLON
15	05901809	4	BLT, HEX 0.375-16X1.75 GR5 ZCC
16	05901826	2	SCR, SKH .312-18X1.25 GR8 ZC120
17	06200315	4	BTL,RHSSN .375-16 X 2.5 G5 ZCC
18	06500822	8	NUT, FLG-TOP LK .375-16 GRF ZC120
19	06500840	4	NUT, FLG-CTR LK .312-18 GR5 ZCC
20	06500909	2	NUT, JAM .312-18 GR5 ZCC
21	07400127	6	SCR-TAP .312-18X.75 HWH ZCC
22	09189953	1	BRKT, STEERING ARM MOUNTING -LH (RED)
23	09190053	1	BRKT, STEERING ARM MOUNTING- RH (RED)



PARKING BRAKE

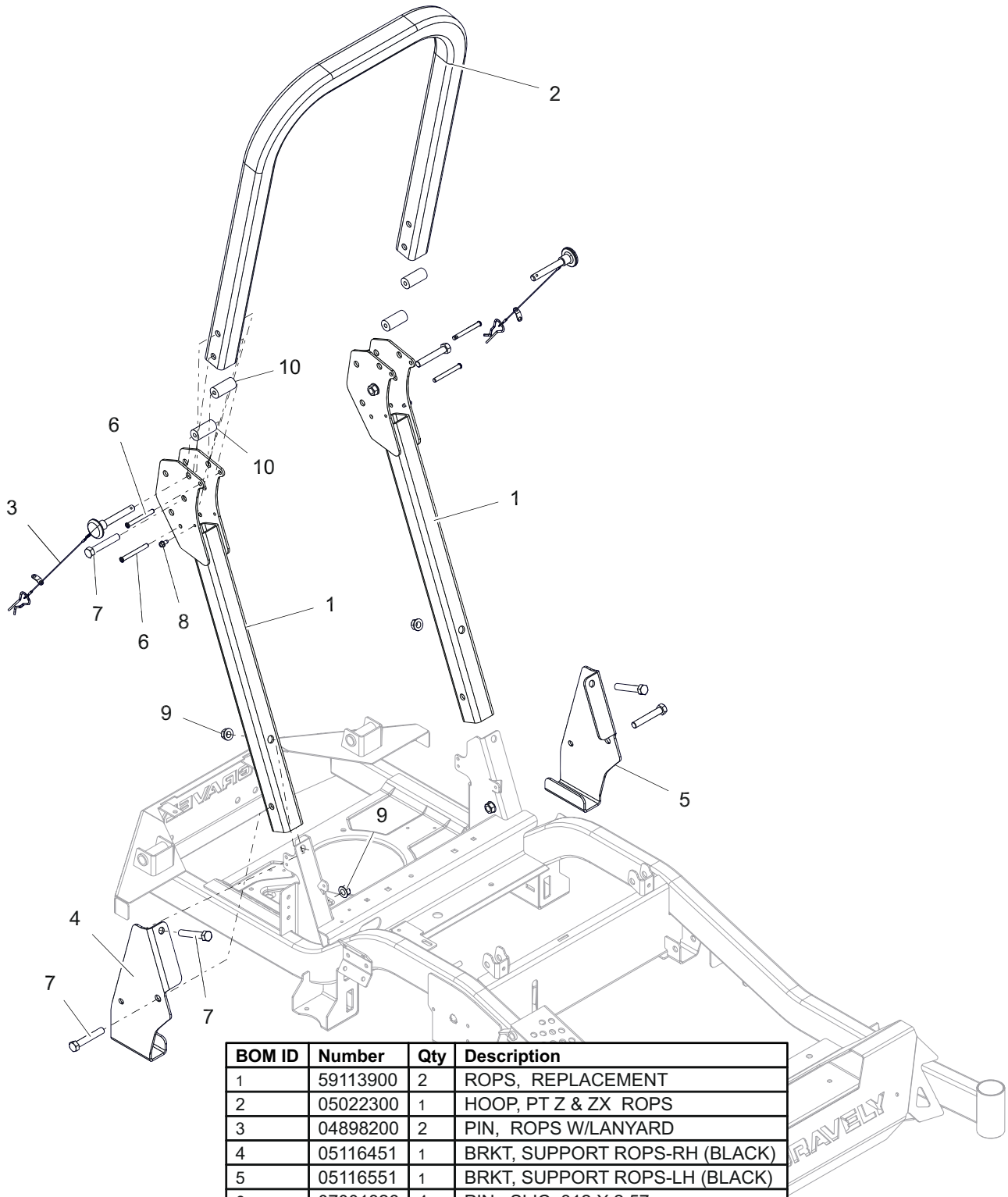
Model All



BOM ID	Number	Qty	Description
1	04998551	1	HANDLE, PARKING BRAKE - WLDMT (BLACK)
2	04998600	1	ARM, BRAKE - LH (W/PIN)
3	05199700	2	LINK, STAMPED - STEERING 4.25"
4	06900706	1	CABLE, BRAKE - PARKING
5	03834300	1	SWITCH, SNAP IN -N.O./N.O
6	03764800	1	TRUNNION, 1/4-20
7	05097200	1	GRIP, PARKING
8	09389500	1	ARM, BRAKE - RH
9	04999000	2	ROD, LINK - TRANSMISSION BRAKE
10	04999100	1	ROD, OVER CENTER
11	05000600	1	ROD, BRAKE LINK
12	05500106	1	SPACER SLEEVED .385 X .500 X 1.045
13	05501315	2	BUSHING FLANGED
14	05700125	1	RING, RETAINING-E .25X.025
15	05901724	2	BLT, HEX 0.375-16X1.25 GR5 ZC120
16	05901928	2	BLT, HEX 0.375-16X1.5 GR5 ZCC
17	06200236	2	BTL,RHSSN .375-16 X 1.25 G5 ZCC
18	06200310	2	BTL,RHSSN .313-18 X 1.25 G5 ZCC
19	06401017	6	WSHR-FL-STL 0.344X0.688X0.065 ZC120
20	06401023	1	WSHR-FL-STL 0.375X0.875X0.083 ZC120
21	06500822	8	NUT, FLG-TOP LK .375-16 GRF ZC120
22	06500904	7	NUT, FLG-TOP LK .312-18 GR5 ZCC
23	06500910	2	NUT-JAM .375-16 GR2 ZCC
24	06700222	4	PIN, HAIR #213 .08X1.19 ZCC
25	07001734	2	BLT, SHLDR .38X.25 -.31-18X.75THD
26	08300028	2	SPRG, COMPRESSION
27	08320900	1	SPRG, COMPRESSION
28	09191051	2	PLATE, TRANSAXLE (BLACK)
29	09374800	2	SPACER SLV .385X.500X.718

ROPS

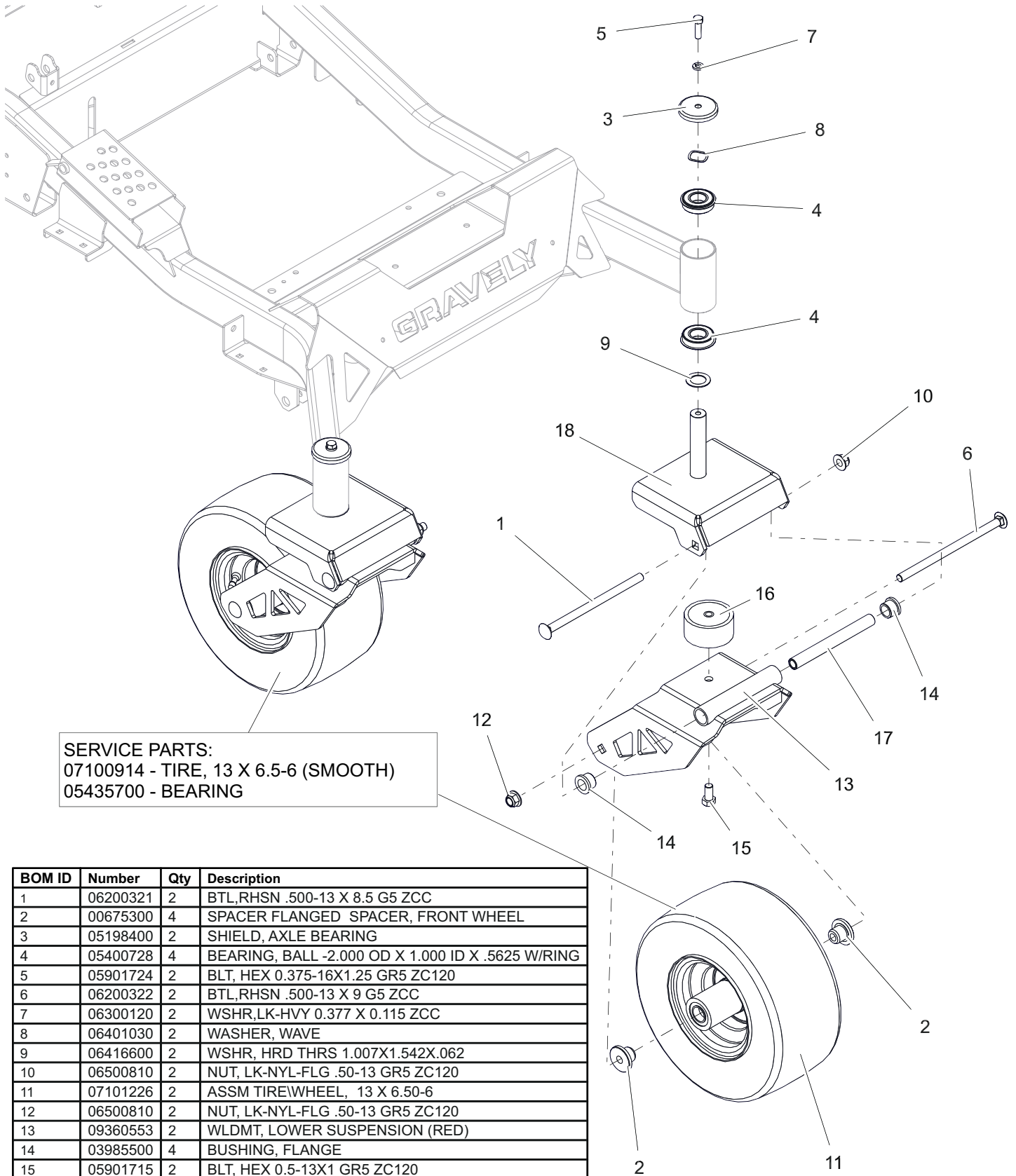
Model All



BOM ID	Number	Qty	Description
1	59113900	2	ROPS, REPLACEMENT
2	05022300	1	HOOP, PT Z & ZX ROPS
3	04898200	2	PIN, ROPS W/LANYARD
4	05116451	1	BRKT, SUPPORT ROPS-RH (BLACK)
5	05116551	1	BRKT, SUPPORT ROPS-LH (BLACK)
6	07001826	4	PIN, SLIC .312 X 2.57
7	05901737	6	BLT, HEX 0.5-13X3 GR5 ZCC
8	07400122	2	SCR-TAP .25-20X.50 HWH ZCC
9	06500902	6	NUT, FLG-CTR LK .500-13 GF ZCC
10	04884200	4	BUMPER, ROPS ANTI-VIBRATION

FRONT CASTER WHEELS

Model All

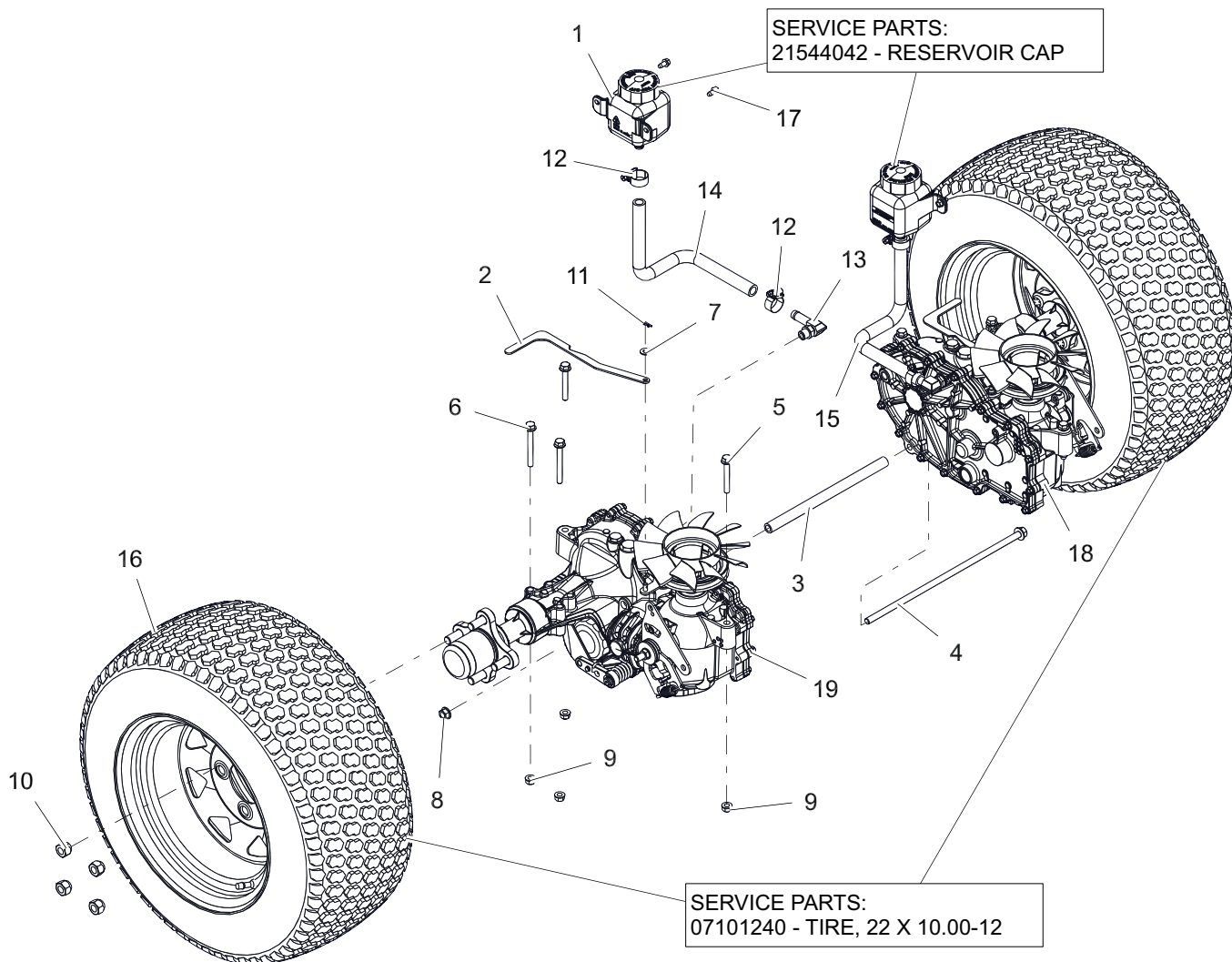


SERVICE PARTS:
 07100914 - TIRE, 13 X 6.5-6 (SMOOTH)
 05435700 - BEARING

BOM ID	Number	Qty	Description
1	06200321	2	BTL,RHSN .500-13 X 8.5 G5 ZCC
2	00675300	4	SPACER FLANGED SPACER, FRONT WHEEL
3	05198400	2	SHIELD, AXLE BEARING
4	05400728	4	BEARING, BALL -2.000 OD X 1.000 ID X .5625 W/RING
5	05901724	2	BLT, HEX 0.375-16X1.25 GR5 ZC120
6	06200322	2	BTL,RHSN .500-13 X 9 G5 ZCC
7	06300120	2	WSHR,LK-HVY 0.377 X 0.115 ZCC
8	06401030	2	WASHER, WAVE
9	06416600	2	WSHR, HRD THRS 1.007X1.542X.062
10	06500810	2	NUT, LK-NYL-FLG .50-13 GR5 ZC120
11	07101226	2	ASSM TIRE/WHEEL, 13 X 6.50-6
12	06500810	2	NUT, LK-NYL-FLG .50-13 GR5 ZC120
13	09360553	2	WLDMT, LOWER SUSPENSION (RED)
14	03985500	4	BUSHING, FLANGE
15	05901715	2	BLT, HEX 0.5-13X1 GR5 ZC120
16	09361200	2	SPCR, RUBBER SUSPENSION
17	09361100	2	ROD, FORK PIVOT
18	09498253	2	WLDMT, UPPER SUSPENSION (RED)

REAR TIRES AND TRANSAXLES – 48" AND 52"

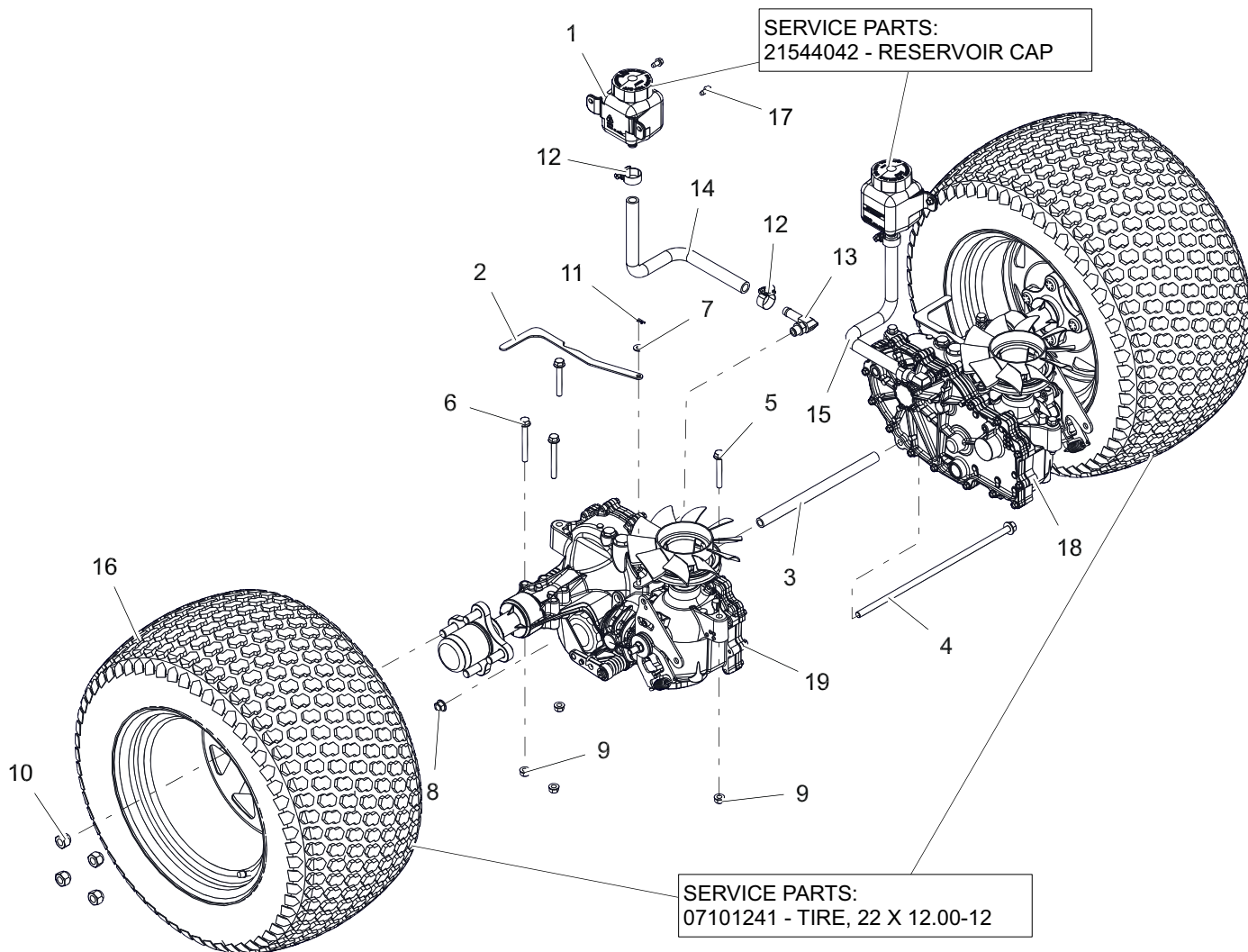
Model 991286, 288



BOM ID	Number	Qty	Description
1	02970200	2	TANK, EXPANSION
2	05076751	2	BRKT, VALVE DUMP
3	05196451	1	SPCR, TRANSAXLE .406 ID X .630 OD X 9.95LG (BLACK)
4	05901903	1	BLT, HEX-FLG 0.375-16X13 GR5 ZC120
5	05901910	4	BLT, HEX-FLG 0.312-18X2.25 GR5 ZCC
6	05901911	4	BLT, HEX-FLG 0.312-18X2.75 GR5 ZCC
7	06401001	2	WSHR-FL-STL 0.281X0.625X0.065 ZC120
8	06500822	1	NUT, FLG-TOP LK .375-16 GRF ZC120
9	06500840	8	NUT, FLG-CTR LK .312-18 GR5 ZCC
10	06500926	8	NUT, WHEEL .500-20 ZCC
11	06700223	2	PIN, HAIR #225 .072X1.09
12	06923500	4	CLAMP, HOSE - #8 SAE
13	07001528	2	FITTING, HYD (90 DEG)
14	07001803	1	HOSE, EXPANSION - HD RH
15	07001804	1	HOSE, EXPANSION TANK -HD LH
16	07101224	2	ASSM TIRE\WHEEL, 22 X 10.00 - 12
17	07400122	4	SCR-TAP .25-20X.50 HWH ZCC
18	09360900	1	TRANSAXLE, ZT3200 - LH
19	09361000	1	TRANSAXLE, ZT3200 - RH

REAR TIRES AND TRANSAXLES – 60"

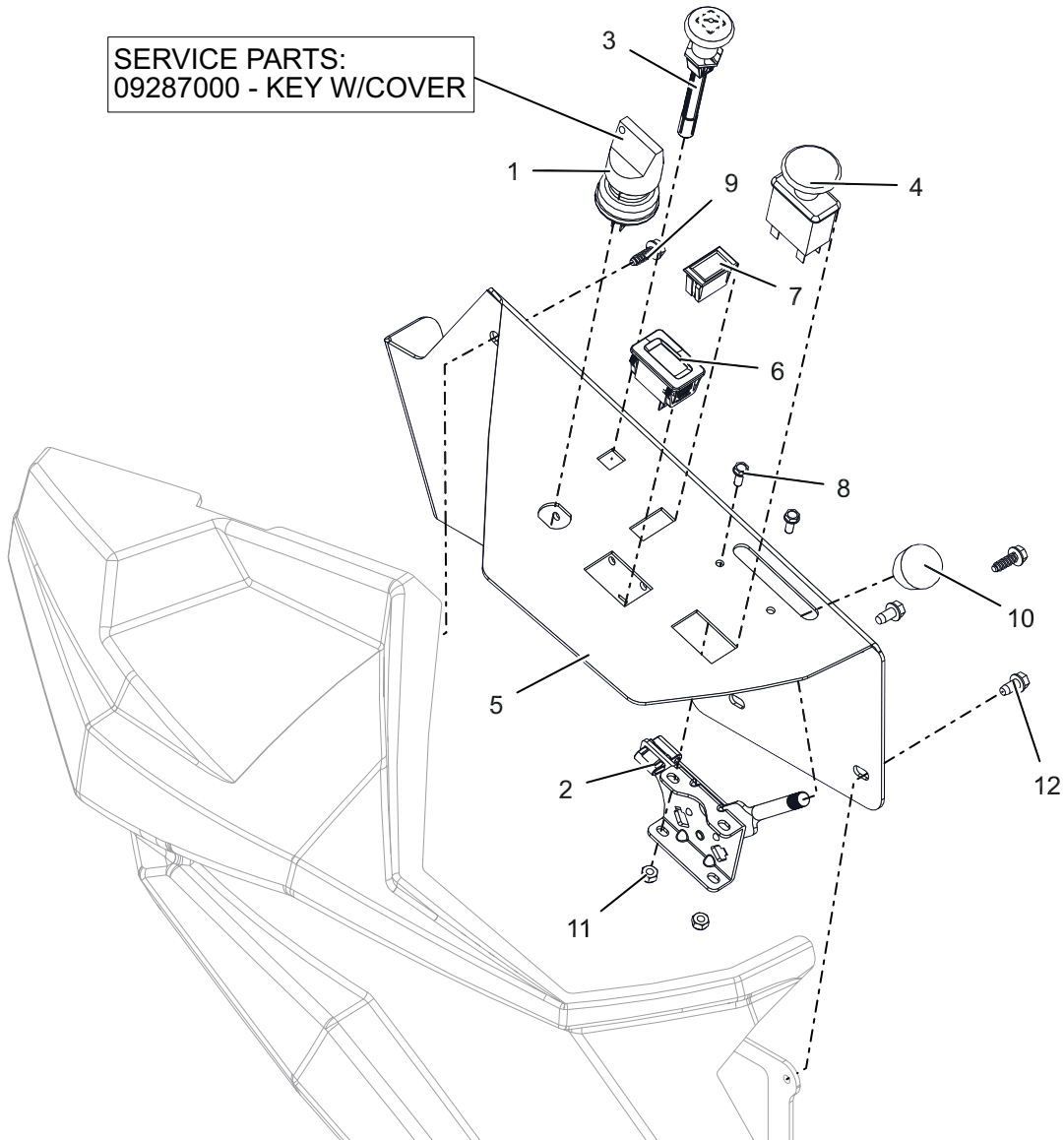
Model 991290



BOM ID	Number	Qty	Description
1	02970200	2	TANK, EXPANSION
2	05076751	2	BRKT, VALVE DUMP
3	05196451	1	SPCR, TRANSAXLE .406 ID X .630 OD X 9.95LG (BLACK)
4	05901903	1	BLT, HEX-FLG 0.375-16X13 GR5 ZC120
5	05901910	4	BLT, HEX-FLG 0.312-18X2.25 GR5 ZCC
6	05901911	4	BLT, HEX-FLG 0.312-18X2.75 GR5 ZCC
7	06401001	2	WSHR-FL-STL 0.281X0.625X0.065 ZC120
8	06500822	1	NUT, FLG-TOP LK .375-16 GRF ZC120
9	06500840	8	NUT, FLG-CTR LK .312-18 GR5 ZCC
10	06500926	8	NUT, WHEEL .500-20 ZCC
11	06700223	2	PIN, HAIR #225 .072X1.09
12	06923500	4	CLAMP, HOSE - #8 SAE
13	07001528	2	FITTING, HYD (90 DEG)
14	07001803	1	HOSE, EXPANSION - HD RH
15	07001804	1	HOSE, EXPANSION TANK -HD LH
16	07101227	2	ASSM TIRE/WHEEL, 22 X 12.00 - 12
17	07400122	4	SCR-TAP .25-20X.50 HWH ZCC
18	09360900	1	TRANSAXLE, ZT3200 - LH
19	09361000	1	TRANSAXLE, ZT3200 - RH

CONTROL PANEL

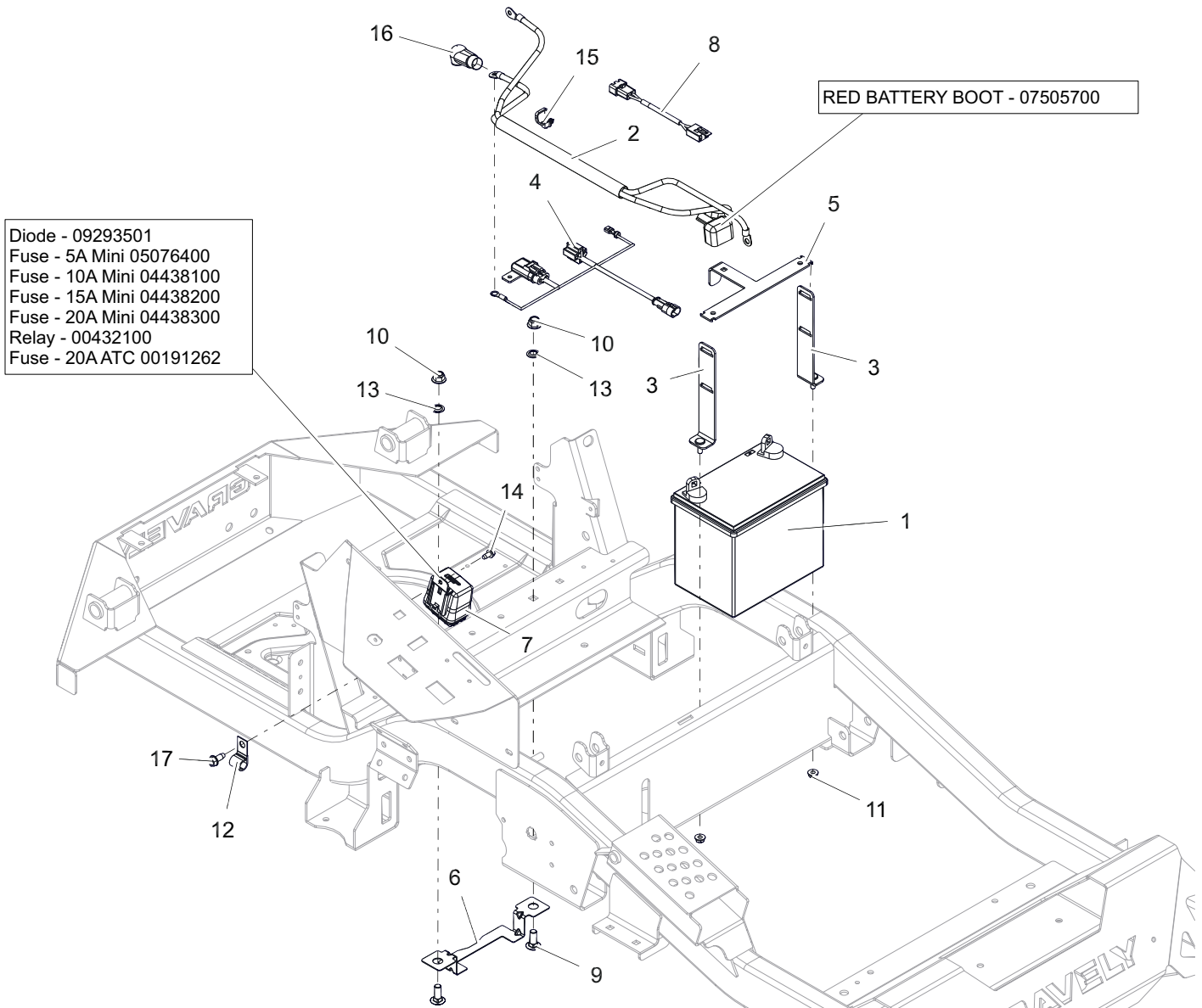
Model All



BOM ID	Number	Qty	Description
1	04331600	1	SWITCH, IGNITION
2	06900619	1	CABLE, PRO THROTTLE CONTROL
3	06900621	1	CABLE, CHOKE
4	01545600	1	SWITCH, CLUTCH
5	09189053	1	PANEL, HD CONTROL (RED)
6	05254800	1	HOUR METER
7	09003300	1	SWITCH, BLANK
8	05901825	2	SCR-MCH 10-24X.50 HWH ZCC
9	06100231	2	SCR, PLASTITE-HWH 0.25 X 0.75 ZC120
10	07500132	1	KNOB, CONTROL BLACK .38-16X.50
11	06500915	2	NUT, LK-NYL #10-24 GR5 ZC120
12	07400122	2	SCR-TAP .25-20X.50 HWH ZCC

ELECTRICAL

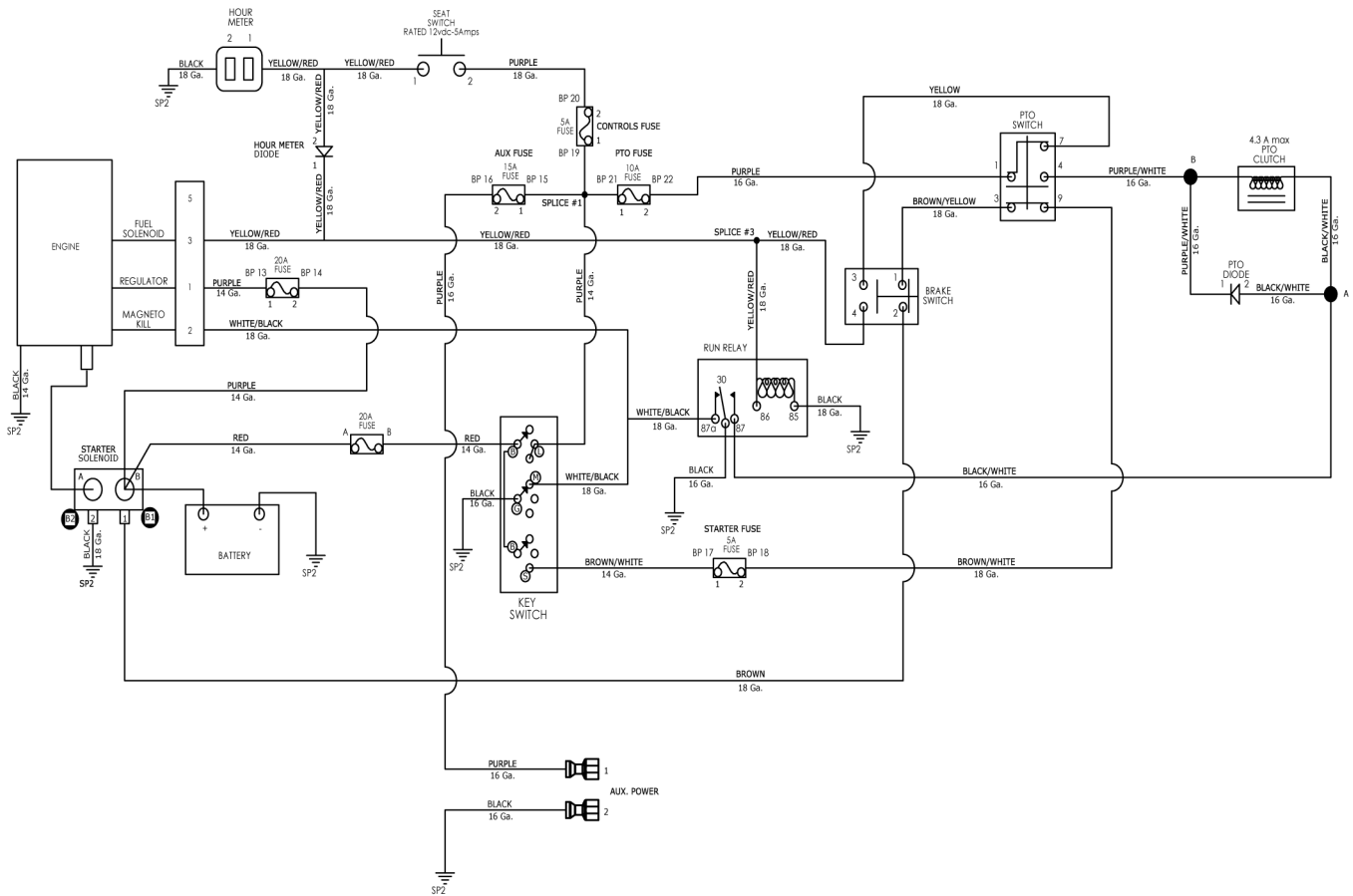
Model All



BOM ID	Number	Qty	Description
1	01554800	1	BATTERY, 300 CCA 10U1L
2	05074100	1	HARNESS, BATTERY
3	05107451	2	WLDMT, BATTERY MOUNT HOLD DOWN (BLACK)
4	05189800	1	HARNESS, STARTER ADAPTER
5	05031551	1	BRKT, BATTERY TIE DOWN (BLACK)
6	05111451	1	GUARD, ELEC HARNESS (BLACK)
7	05155300	1	HARNESS, WIRE
8	09383900	1	HARNESS, EXTENSION
9	06200313	2	BTL,RHSN .375-16 X 1 G5 ZCC
10	06500726	2	NUT, LK-NYL-FLG .38-16 GR5 ZC120
11	06500903	2	NUT, FLG-TOP LK .250-20 GR5 ZC120
12	06916000	1	J-CLAMP
13	07009900	2	NUT, PUSH .38 DIA. PAL ZINC
14	07400122	1	SCR-TAP .25-20X.50 HWH ZCC
15	07500040	1	CABLE, TIE W/TREE (.25 HOLE)
16	07500401	1	BOOT, .65 ID POS
17	07400127	1	SCR-TAP .312-18X.75 HWH ZCC

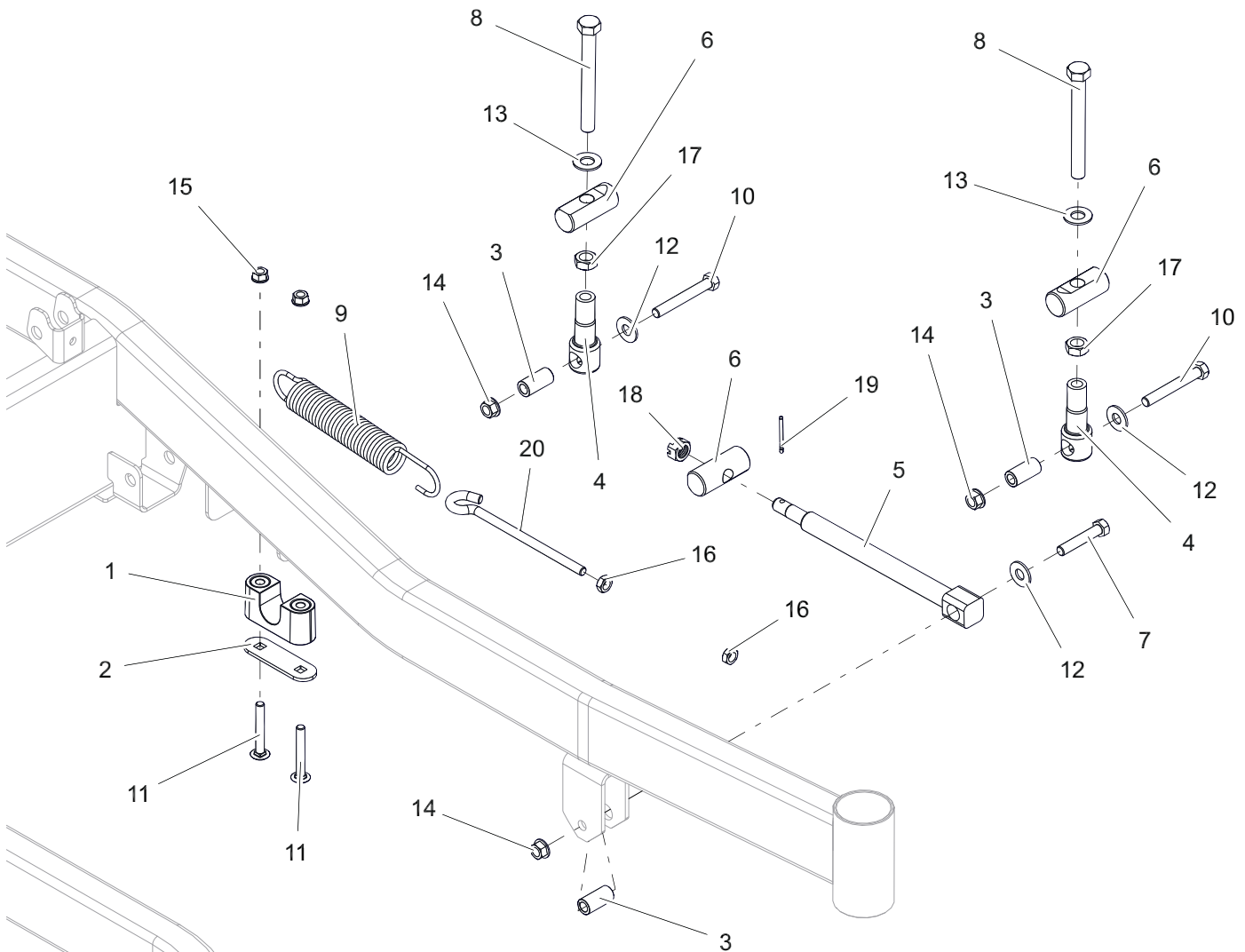
WIRING DIAGRAM

Model All



DECK LIFT – LH

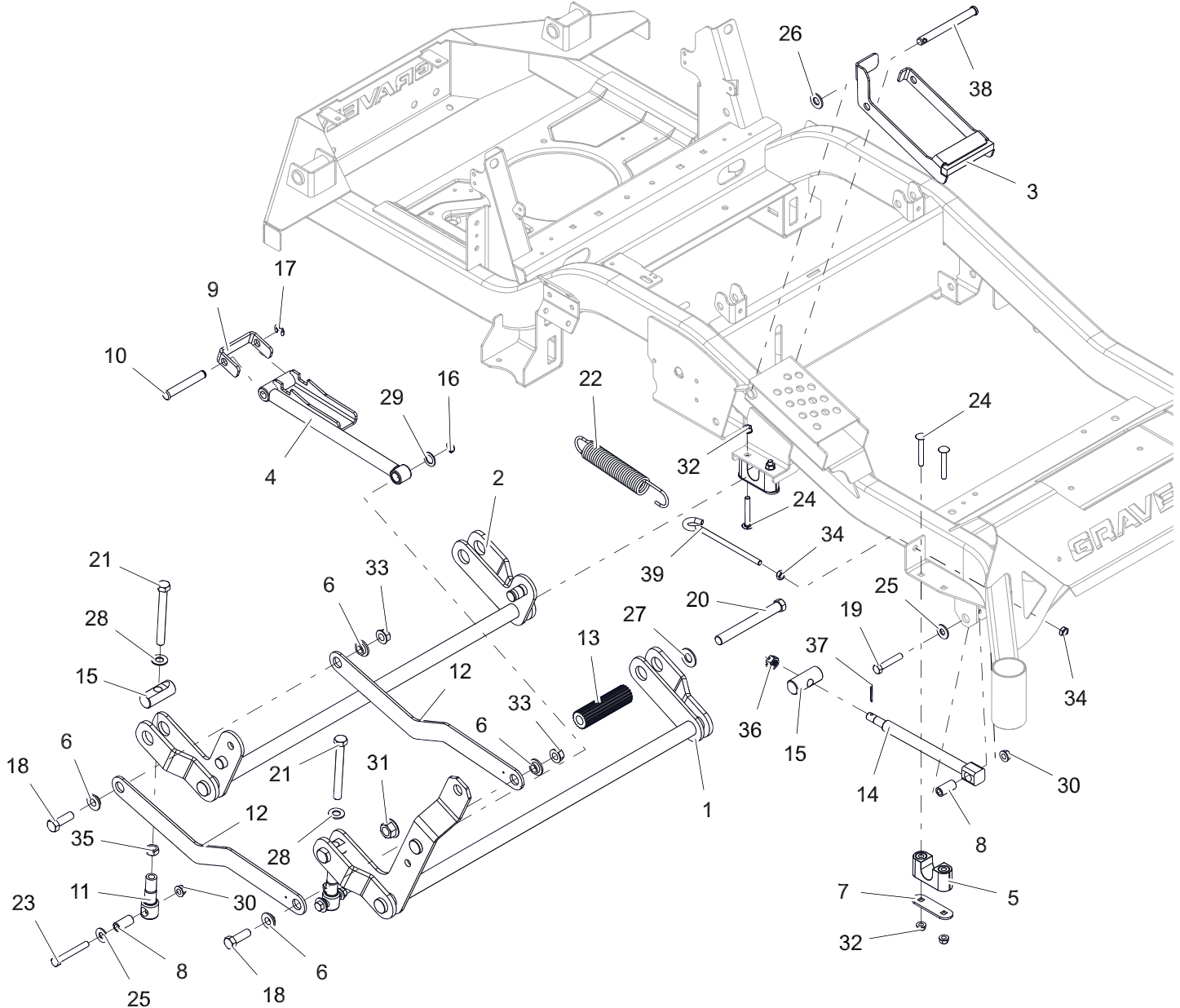
Model All



BOM ID	Number	Qty	Description
1	07500414	2	ASM, BSHG
2	04766551	2	PLATE, BEARING SUPPORT
3	04895200	3	SPCR, DECK LEVELING
4	05081400	2	LINK, DECK LIFT, FORMED
5	05126700	1	DRAG, LINK
6	05149500	3	PIN, DECK LIFT
7	05901718	1	BLT, HEX 0.375-16X2 GR5 ZC120
8	05901736	2	BLT, HEX 0.5-13X4.5F GR8 ZCC
9	08319000	1	SPRG, TENSION .162 X 1.250 X 8.250
10	05901813	2	BLT, HEX 0.375-16X2.75 GR8 ZCC
11	06200311	4	BTL,RHSSN .313-18 X 2.25 G5 ZCC
12	06401008	3	WSHR-FL-STL 0.438X1X0.083 ZC120
13	06401116	2	WSHR-FL-STL 0.526X1.055X0.074 HRD
14	06500822	3	NUT, FLG-TOP LK .375-16 GRF ZC120
15	06500840	4	NUT, FLG-CTR LK .312-18 GR5 ZCC
16	06500910	2	NUT-JAM .375-16 GR2 ZCC
17	06500911	2	NUT, JAM .50-13 GR5 ZC120
18	06505000	1	NUT, -SL .50-13
19	06700212	1	PIN, CTR .12X1.25 EXTPRSQCT ZC120
20	07001814	1	BOLT, .38-16X5.25-.62 DIA EYE

DECK LIFT – RH

Model All

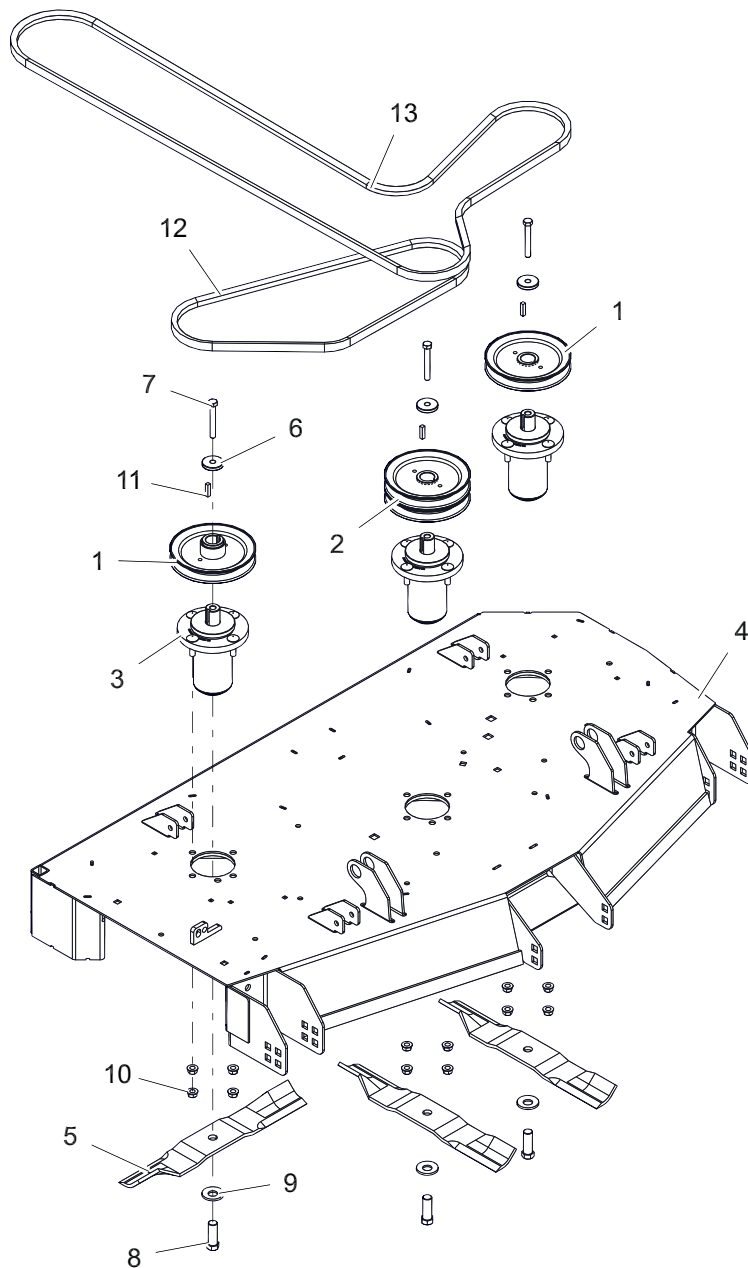


BOM ID	Number	Qty	Description
1	05019651	1	WLDMT, FRONT DECK LIFT PIVOT
2	05019751	1	WLDMT, REAR DECK LIFT PIVOT (BLACK)
3	05025251	1	WLDMT, HOC TRANSFER LOCK (BLACK)
4	05186351	1	WLDMT, HOC LIFT ARM (BLACK)
5	07500414	2	ASM, BSHG
6	03989100	4	BUSHING FLANGED .515X.750X.31X1.12
7	04766551	2	PLATE, BEARING SUPPORT
8	04895200	3	SPCR, DECK LEVELING
9	05077551	1	BRKT, HOC LINE (BLACK)
10	05800210	1	PIN, .499/.494 x 3.385 CLEVIS
11	05081400	2	LINK, DECK LIFT, FORMED
12	05083951	2	LINK, DECK
13	05120951	1	ROD, FOOT PEDAL (BLACK)
14	05126700	1	DRAG, LINK
15	05149500	3	PIN, DECK LIFT
16	05709200	1	RG-RTNG-EXT .625x.050
17	05710200	1	RING, RETAINING-E .500X.042
18	05901631	2	BLT, HEX 0.5-13X1.5 GR5 ZC120
19	05901718	1	BLT, HEX 0.375-16X2 GR5 ZC120
20	05901730	1	BLT, HEX 0.625-11X5.5 GR5 ZB500

BOM ID	Number	Qty	Description
21	05901736	2	BLT, HEX 0.5-13X4.5F GR8 ZCC
22	08319000	1	SPRG, TENSION .162 X 1.250 X 8.250
23	05901813	2	BLT, HEX 0.375-16X2.75 GR8 ZCC
24	06200311	4	BTL,RHSSN .313-18 X 2.25 G5 ZCC
25	06401008	3	WSHR-FL-STL 0.438X1X0.083 ZC120
26	06401015	1	WSHR-FL-STL 0.531X1.062X0.095 ZC120
27	06401039	1	WSHR-FL-STL 0.656X1.312X0.095 RIE5230
28	06401116	2	WSHR-FL-STL 0.526X1.055X0.074 HRD
29	06401117	1	WSHR-FL-STL 0.63X1.005X0.062 ZCC
30	06500822	3	NUT, FLG-TOP LK .375-16 GRF ZC120
31	06500835	1	NUT,FLG-TOP LK .625-11 FBP
32	06500840	4	NUT, FLG-CTR LK .312-18 GR5 ZCC
33	06500907	2	NUT, FLG-TOP LK .500-13 GF ZCC
34	06500910	2	NUT-JAM .375-16 GR2 ZCC
35	06500911	2	NUT, JAM .50-13 GR5 ZC120
36	06505000	1	NUT, -SL .50-13
37	06700212	1	PIN, CTR .12X1.25 EXTPRSQCT ZC120
38	06800201	1	PIN, SLIC-.500X4.97X4.55 -ZC
39	07001814	1	BOLT, .38-16X5.25-.62 DIA EYE

DECK, BELTS, BLADES AND SPINDLES – 48"

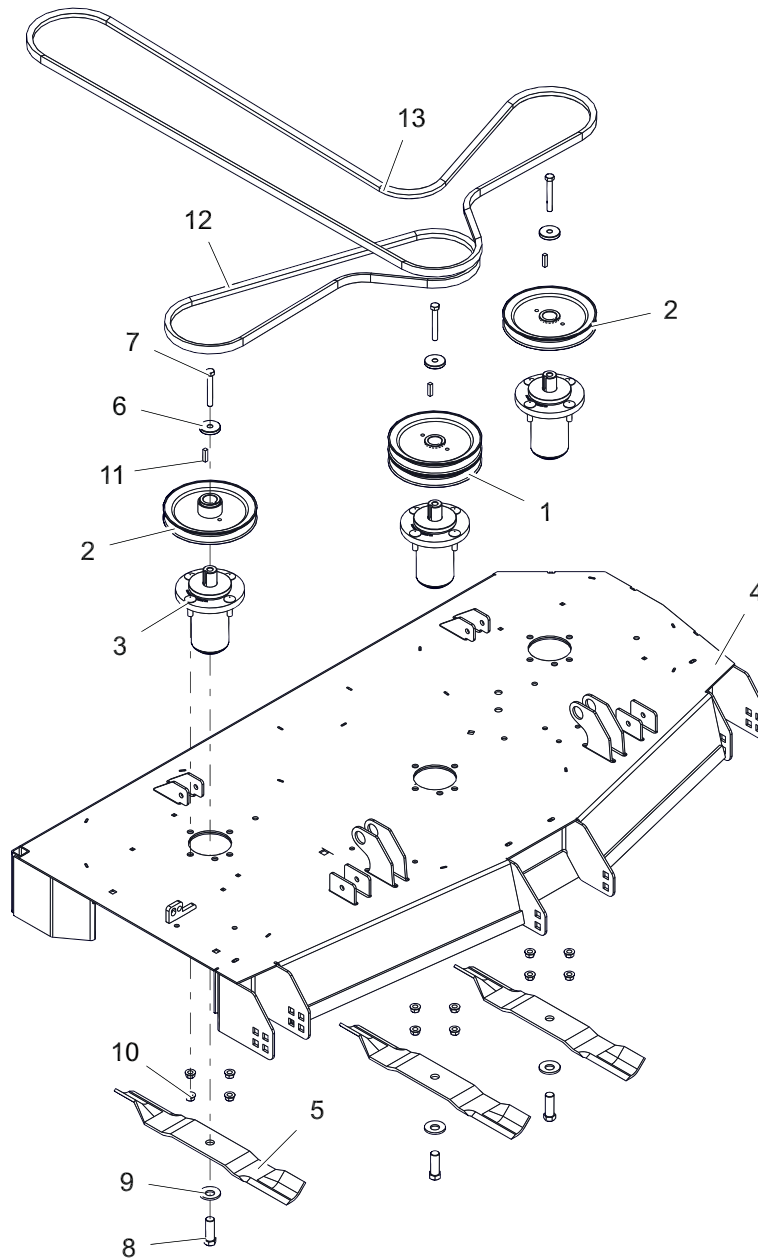
Model 991286



BOM ID	Number	Qty	Description
1	07332100	2	PULLEY, SINGLE -1.000 ID X 6.000 OD
2	07332300	1	PULLEY, DOUBLE 1.000 ID X 6.000 OD
3	58810800	3	ASM, ALUM SPINDLE
4	59118100	1	KIT, DECK - 48 W/DECALS - XF3
5	00450200	3	BLADE, 16.19" MOWER (HI-LIFT)
6	04530500	3	RETAINER, SHEAVE SPINDLE
7	05901813	3	BLT, HEX 0.375-16X2.75 GR8 ZCC
8	05901822	3	BLT, HEX 0.625-18X1.75 GR8 ZCC
9	06445700	3	WSHR, BLVL-.63X1.625X.14
10	06500901	12	NUT, FLG-CTR LK .375-16 GR5 ZC120
11	06611200	3	KEY-SQ .250X.250X1.00 RC 40-50
12	07200805	1	V-BELT, B 52.46 RAW COGGED
13	07200815	1	V-BELT, HB SECTION

DECK, BELTS, BLADES AND SPINDLES – 52"

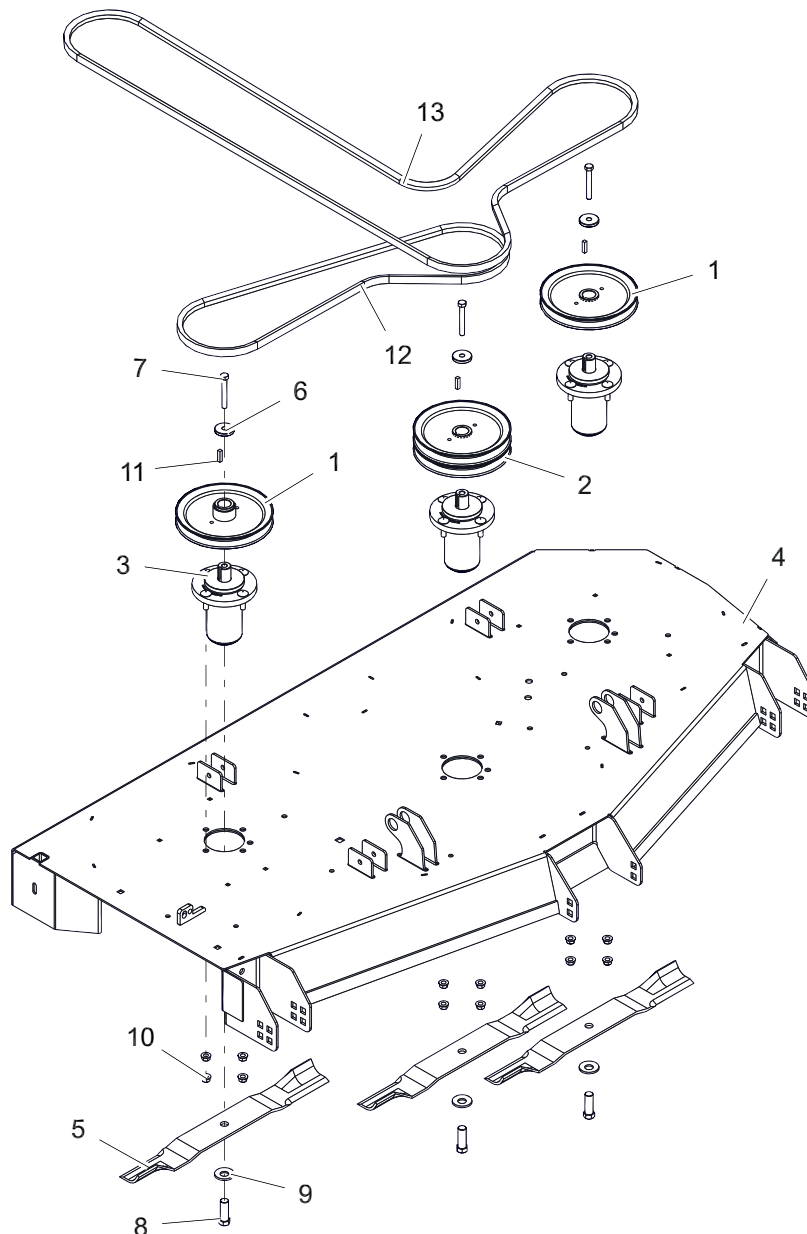
Model 991288



BOM ID	Number	Qty	Description
1	07328800	1	PULLEY, DOUBLE 1.000 ID X 6.750 OD
2	07328900	2	PULLEY, V-1.000 ID X 6.750 OD
3	58810800	3	ASM, ALUM SPINDLE
4	59118200	1	KIT, DECK - 52 W/DECALS - XF3
5	03253800	3	BLADE, 18"
6	04530500	3	RETAINER, SHEAVE SPINDLE
7	05901813	3	BLT, HEX 0.375-16X2.75 GR8 ZCC
8	05901822	3	BLT, HEX 0.625-18X1.75 GR8 ZCC
9	06445700	3	WSHR, BLVL-.63X1.625X.14
10	06500901	12	NUT, FLG-CTR LK .375-16 GR5 ZC120
11	06611200	3	KEY-SQ .250X.250X1.00 RC 40-50
12	07200806	1	V-BELT, B 58.45 RAW COGGED
13	07200816	1	V-BELT, HB SECTION

DECK, BELTS, BLADES AND SPINDLES – 60"

Model 991290



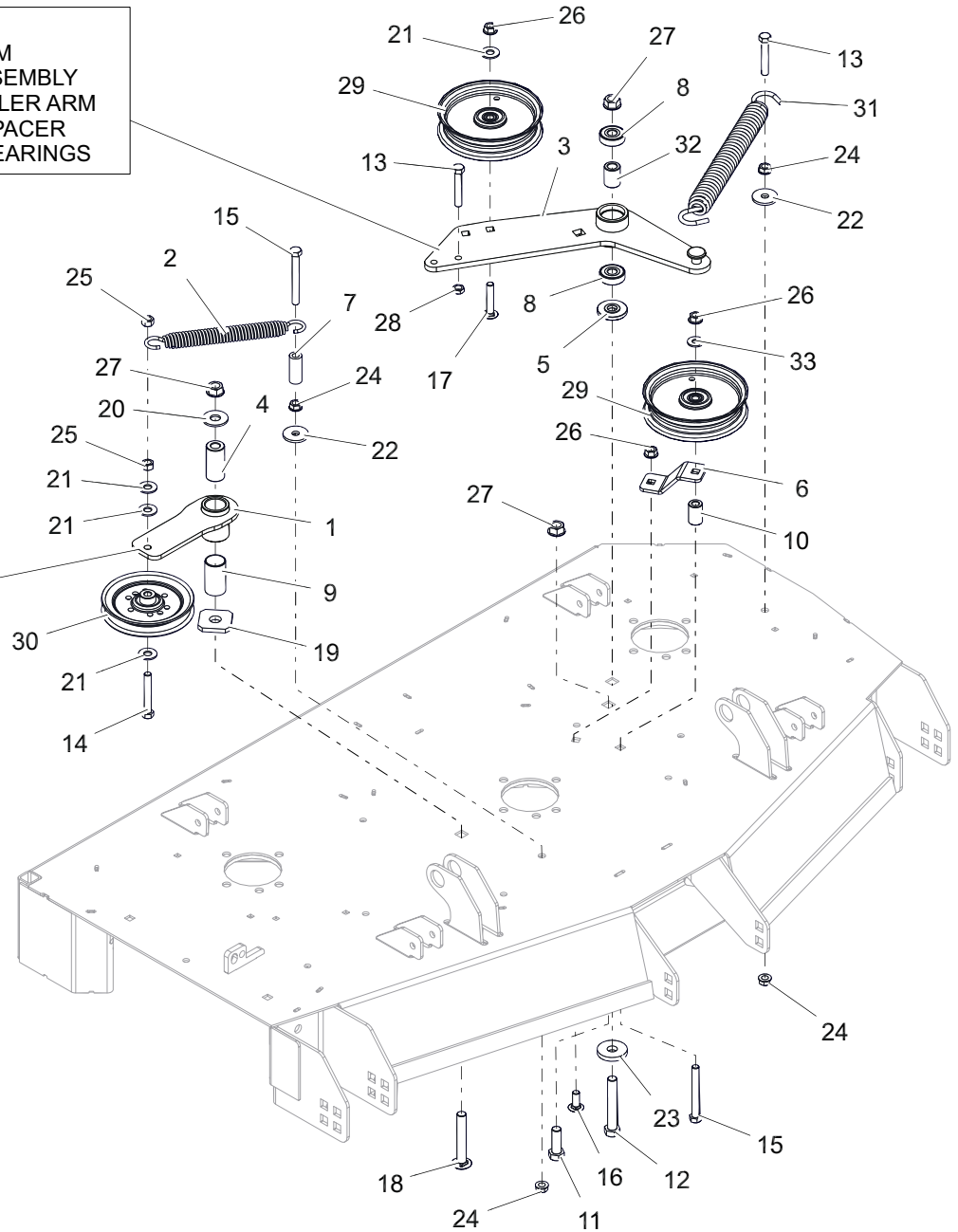
BOM ID	Number	Qty	Description
1	07345967	2	PULLEY, V-1" ID X 7.5" OD (BLACK)
2	07346667	1	PULLEY, DOUBLE 1"X7.5"&7.5" (BLACK)
3	58810800	3	ASM, ALUM SPINDLE
4	59118300	1	KIT, DECK - 60 W/DECALS - XF3
5	03253900	3	BLADE, 20.5"
6	04530500	3	RETAINER, SHEAVE SPINDLE
7	05901813	3	BLT, HEX 0.375-16X2.75 GR8 ZCC
8	05901822	3	BLT, HEX 0.625-18X1.75 GR8 ZCC
9	06445700	3	WSHR, BLVL-.63X1.625X.14
10	06500901	12	NUT, FLG-CTR LK .375-16 GR5 ZC120
11	06611200	3	KEY-SQ .250X.250X1.00 RC 40-50
12	07200807	1	V-BELT, B 65.375 RAW COGGED
13	07200817	1	V-BELT, HB SECTION

IDLERS AND SHEAVES - 48"

Model 991286

58813900
PTO IDLE ARM
SERVICE ASSEMBLY
09374700 - IDLER ARM
09357700 - SPACER
05408000 - BEARINGS

03796400
DECK RH IDLER ARM
SERVICE ASSEMBLY
INCLUDES;
(1) IDLER ARM
(1) BUSHING

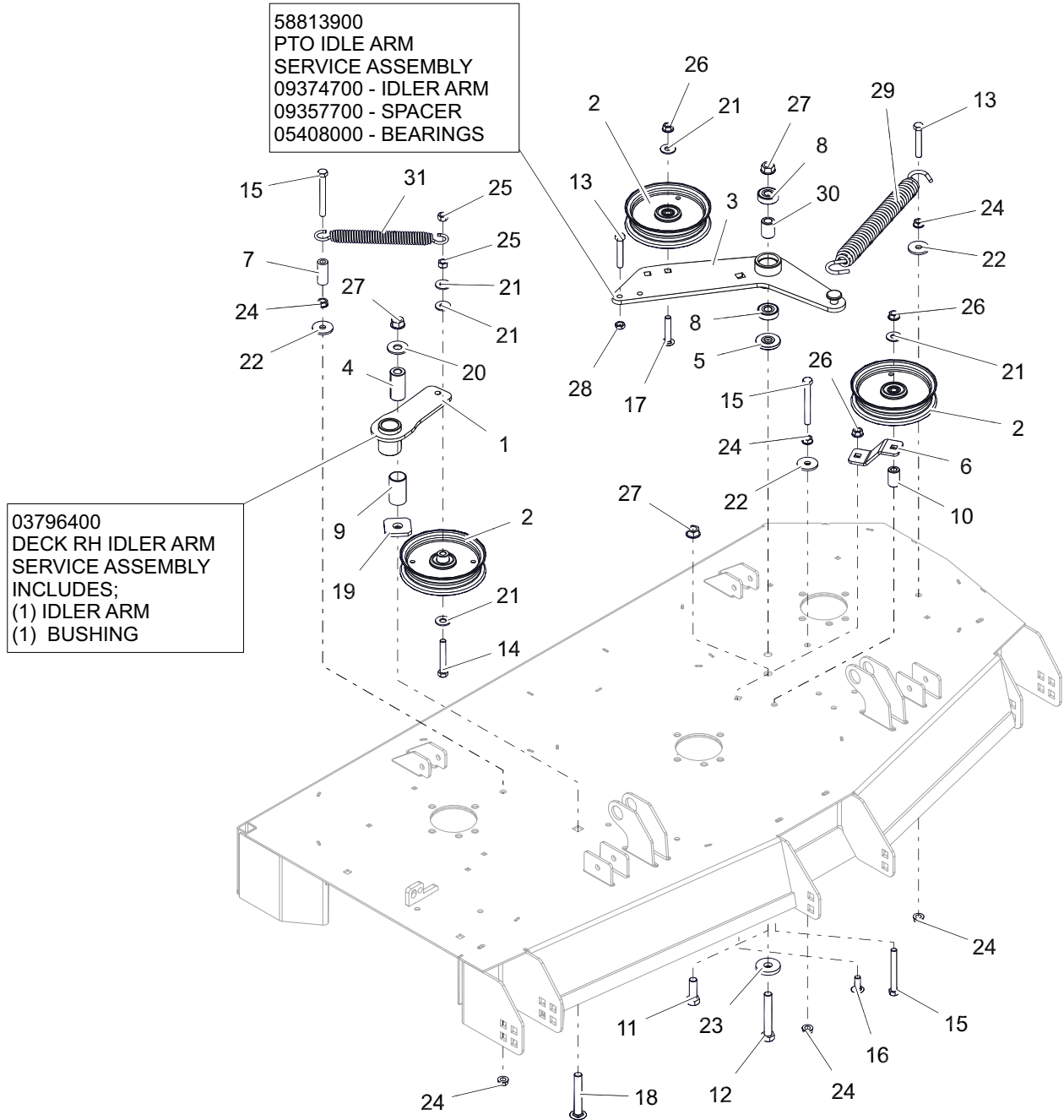


BOM ID	Number	Qty	Description
1	03774151	1	ASM, IDLER ARM W/BUSHING
2	08300728	1	SPRG, EXTENSION - SWIVEL
3	09374700	1	WLDMT, IDLER ARM PT660
4	01581700	1	SPACER SLEEVED .502X.997X2.03
5	04714600	1	SPACER FLANGED ARM
6	04981853	1	BRKT, PTO FIXED IDLER MTG
7	05278000	1	HOSE, .38 X 1.65
8	05408000	2	BRG-BALL .500X1.375X.44
9	05501234	1	BSHG, 1.00x1.125x1.9375
10	05501308	1	BUSHING SLEEVED .380 X .750 X 1.190
11	05901631	1	BLT, HEX 0.5-13X1.5 GR5 ZC120
12	05901634	1	BLT, HEX 0.5-13X3.25 GR5 ZC120
13	05901640	2	BLT, HEX 0.375-16X2.25 GR5 ZC120
14	05901812	1	BLT, HEX 0.375-16X2.5 GR5 ZCC
15	05901817	2	BLT, HEX 0.375-16X3.25 GR5 ZCC
16	06200235	1	BTL, RHSSN .375-16 X 1 G5 ZCC
17	06200323	1	BTL, RHSSN .375-16 X 2 G5 ZCC

BOM ID	Number	Qty	Description
18	06200339	1	BTL, RHSSN .500-13 X 3.25 G5 ZCC
19	06400829	1	WSHR, -FLT.640X1.75X.250
20	06401012	1	WSHR-FL-STL 0.563X1.375X0.109 ZC120
21	06401008	4	WSHR-FL-STL 0.438X1X0.083 ZC120
22	06401121	2	WSHR-FL-STL 0.406X1.375X0.135 ZCC
23	06401213	1	WSHR-FL-STL 0.557X1.625X0.25 ZCC
24	06500735	4	NUT, FLG-SPNLK .375-16 GR5 ZC120
25	06500825	2	NUT, HEX-CTR LK .375-16 GR5 ZCC
26	06500901	3	NUT, FLG-CTR LK .375-16 GR5 ZC120
27	06500902	3	NUT, FLG-CTR LK .500-13 GF ZCC
28	06500910	1	NUT-JAM .375-16 GR2 ZCC
29	07351200	2	IDLER, FLAT - .500 X .75
30	07351800	1	IDLER, V, 5.00X.38
31	08300708	1	SPRG, EXTENSION
32	09357700	1	SPACER SLEEVED SPACER, .510 X .867 X 1.148
33	06401023	1	WSHR-FL-STL 0.375X0.875X0.083 ZC120

IDLERS AND SHEAVES – 52" AND 60"

Model 991288, 290

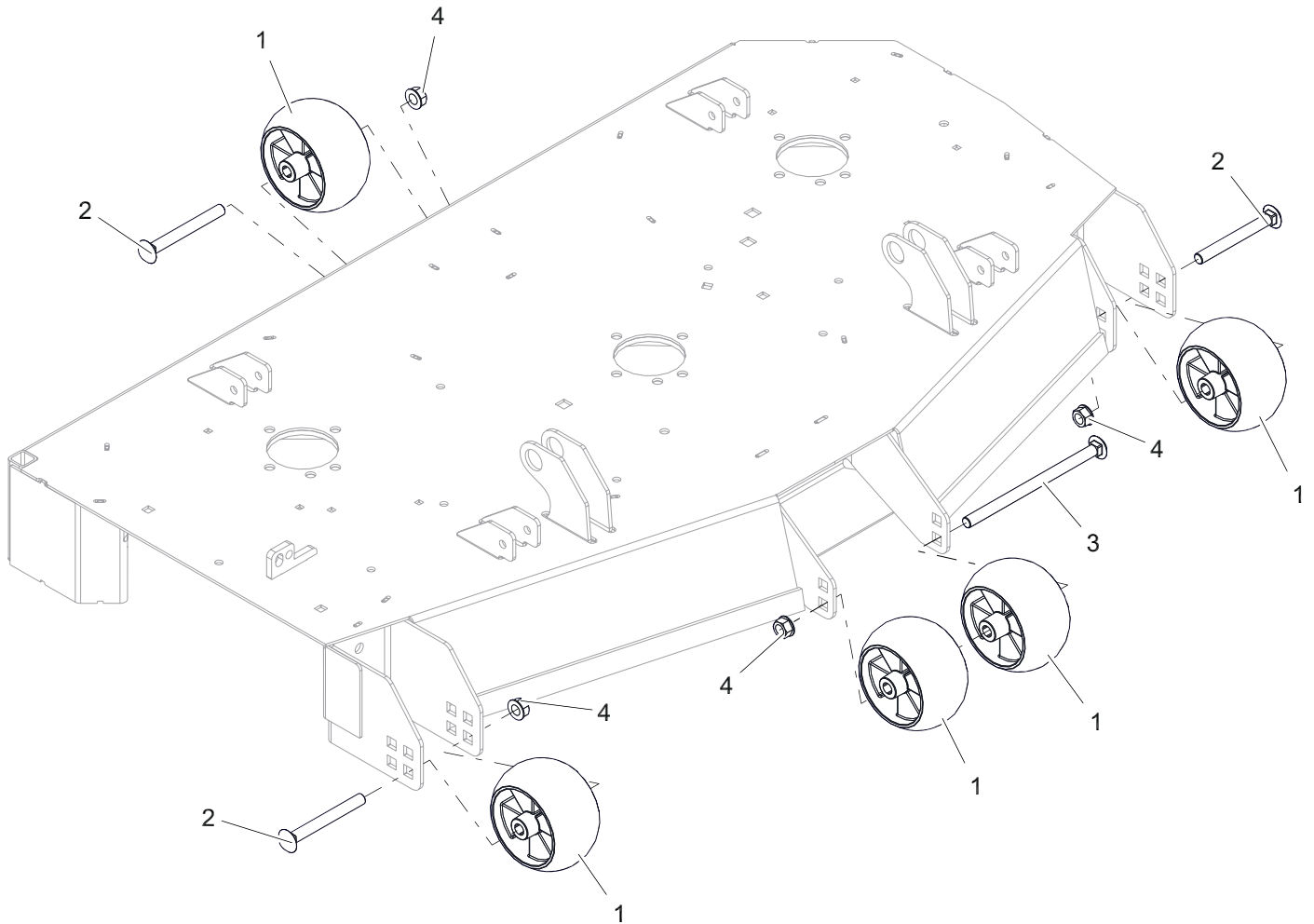


BOM ID	Number	Qty	Description
1	03774151	1	ASM, IDLER ARM W/BUSHING
2	07351200	3	IDLER, FLAT - .500 X .75
3	09374700	1	WLDMT, IDLER ARM PT660
4	01581700	1	SPACER SLEEVED .502X.997X2.03
5	04714600	1	SPACER FLANGED ARM
6	04981853	1	BRKT, PTO FIXED IDLER MTG
7	05278000	1	HOSE, .38 X 1.65
8	05408000	2	BRG-BALL .500X1.375X.44
9	05501234	1	BSHG, 1.00x1.125x1.9375
10	05501308	1	BUSHING SLEEVED .380 X .750 X 1.190
11	05901631	1	BLT, HEX 0.5-13X1.5 GR5 ZC120
12	05901634	1	BLT, HEX 0.5-13X3.25 GR5 ZC120
13	05901640	2	BLT, HEX 0.375-16X2.25 GR5 ZC120
14	05901812	1	BLT, HEX 0.375-16X2.5 GR5 ZCC
15	05901817	3	BLT, HEX 0.375-16X3.25 GR5 ZCC
16	06200235	1	BTL, RHSSN .375-16 X 1 G5 ZCC

BOM ID	Number	Qty	Description
17	06200323	1	BTL, RHSSN .375-16 X 2 G5 ZCC
18	06200339	1	BTL, RHSSN .500-13 X 3.25 G5 ZCC
19	06400829	1	WSHR, -FLT.640X1.75X.250
20	06401012	1	WSHR-FL-STL 0.563X1.375X0.109 ZC120
21	06401008	5	WSHR-FL-STL 0.438X1X0.083 ZC120
22	06401121	3	WSHR-FL-STL 0.406X1.375X0.135 ZCC
23	06401213	1	WSHR-FL-STL 0.557X1.625X0.25 ZCC
24	06500735	6	NUT, FLG-SPNLK .375-16 GR5 ZC120
25	06500825	2	NUT, HEX-CTR LK .375-16 GR5 ZCC
26	06500901	3	NUT, FLG-CTR LK .375-16 GR5 ZC120
27	06500902	3	NUT, FLG-CTR LK .500-13 GF ZCC
28	06500910	1	NUT-JAM .375-16 GR2 ZCC
29	08300708	1	SPRG, EXTENSION
30	09357700	1	SPACER SLEEVED SPACER, .510 X .867 X 1.148
31	08300728	1	SPRG, EXTENSION - SWIVEL

ANTI-SCALP WHEELS – 48"

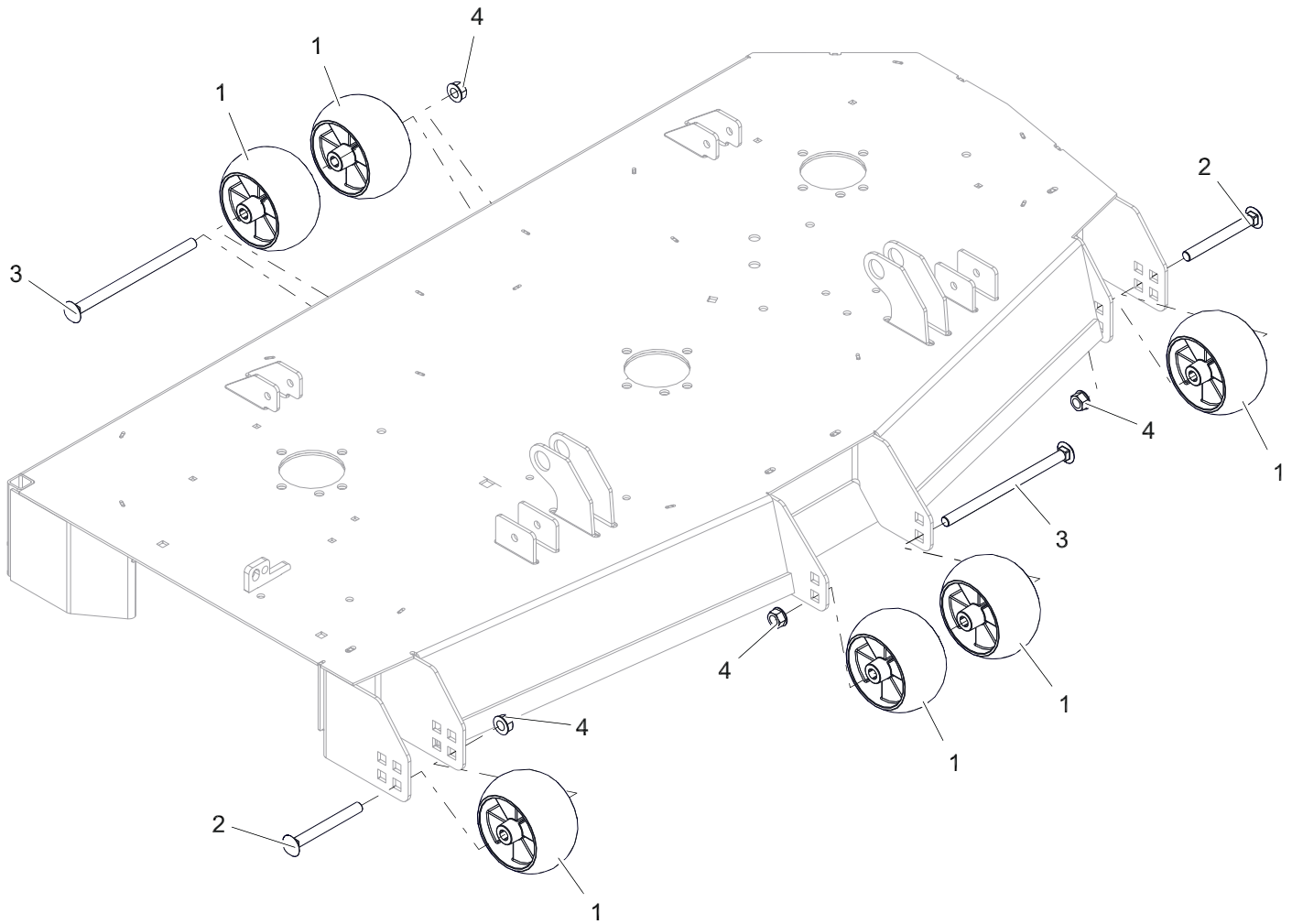
Model 991286



BOM ID	Number	Qty	Description
1	05268800	5	WHEEL, ANTI SCALP - 5X3 CTR W/RIBS
2	06200240	3	BTL,RHSN .500-13 X 4.5 G5 ZCC
3	06200430	1	BTL,RHSN .500-13 X 8 G5 ZCC
4	06500902	4	NUT, FLG-CTR LK .500-13 GF ZCC

ANTI-SCALP WHEELS – 52" AND 60"

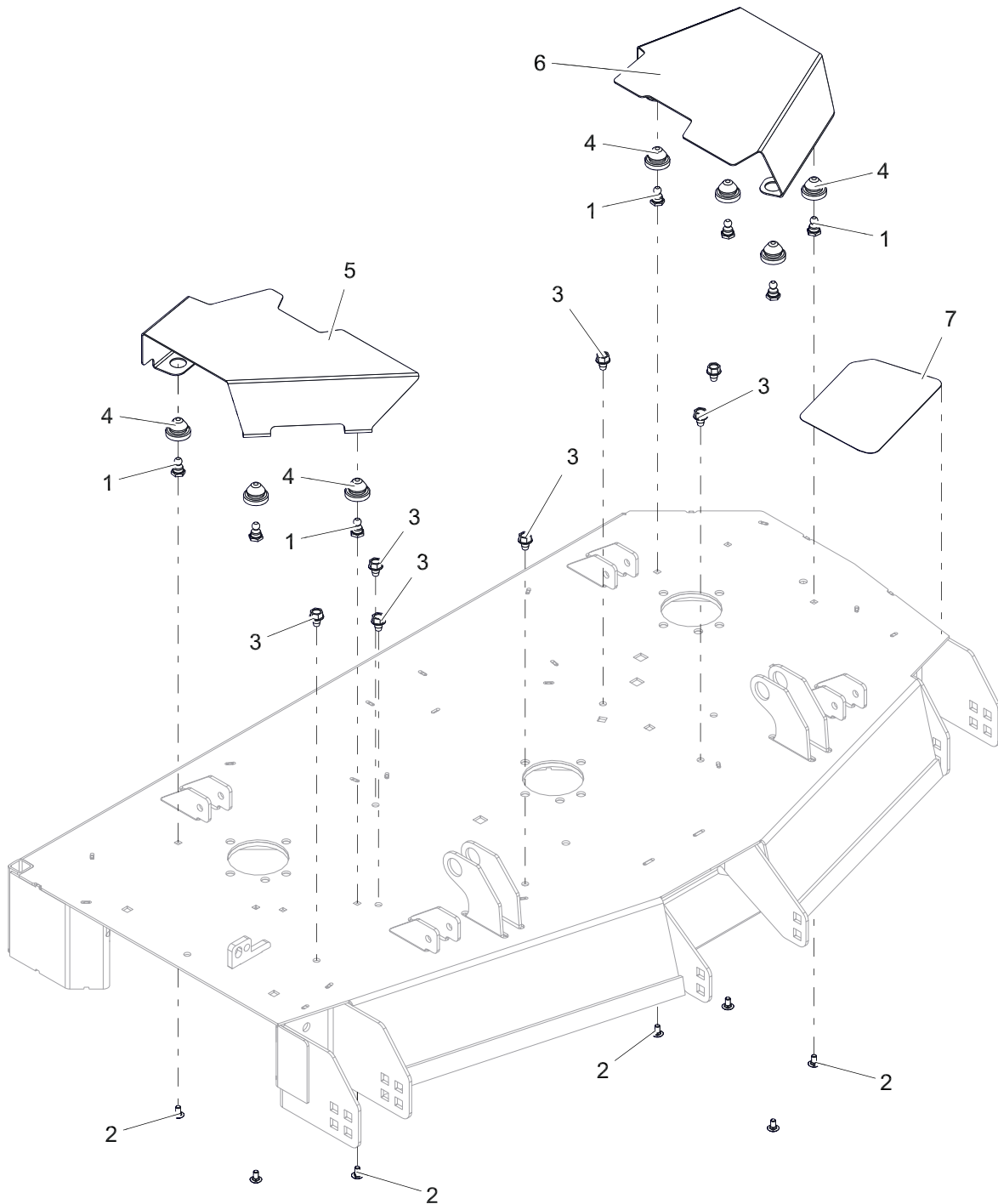
Model 991288, 290



BOM ID	Number	Qty	Description
1	05268800	6	WHEEL, ANTI SCALP - 5X3 CTR W/RIBS
2	06200240	2	BTL,RHSN .500-13 X 4.5 G5 ZCC
3	06200430	2	BTL,RHSN .500-13 X 8 G5 ZCC
4	06500902	4	NUT, FLG-CTR LK .500-13 GF ZCC

BELT COVERS – 48"

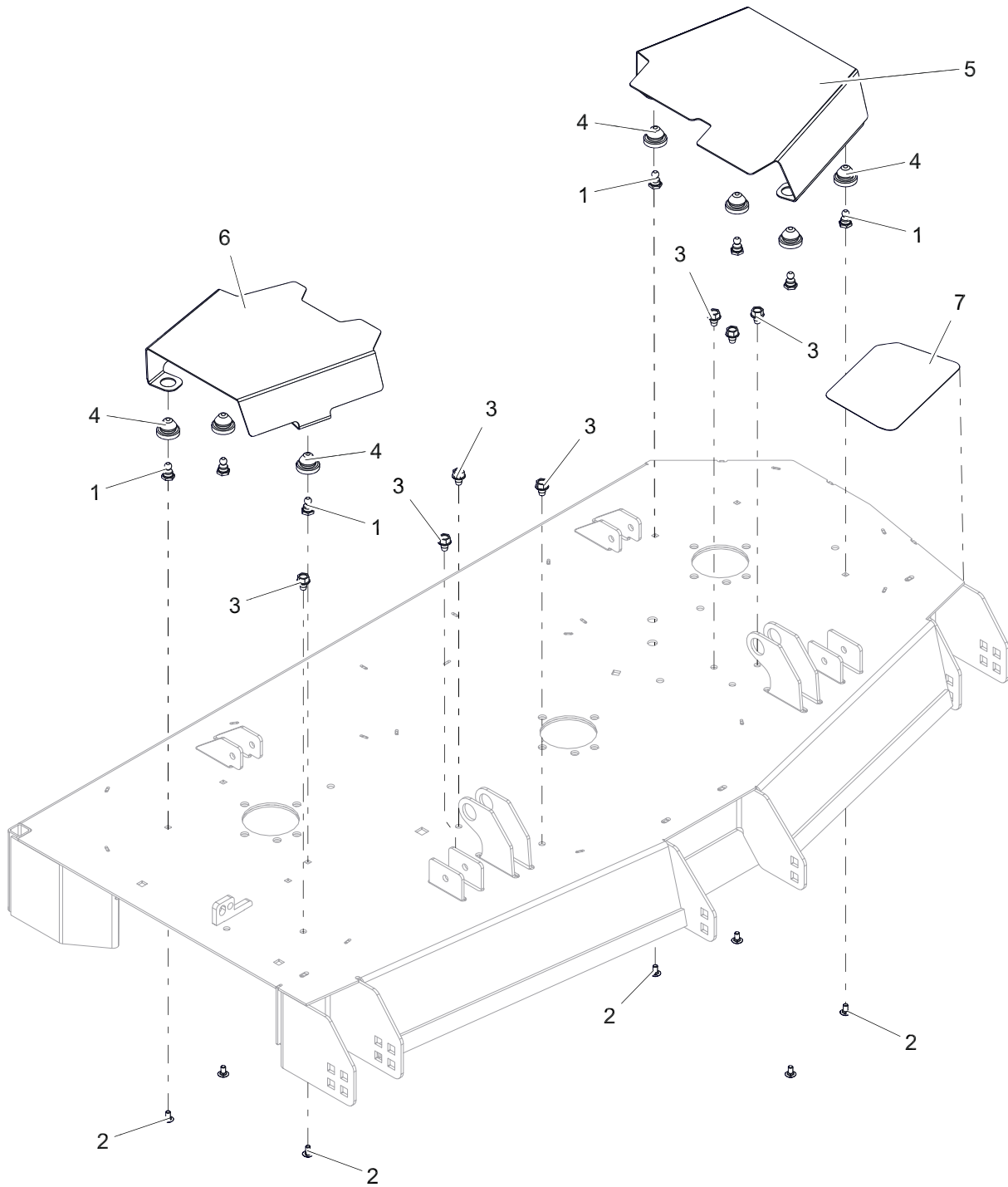
Model 991286



BOM ID	Number	Qty	Description
1	05275900	7	STUD, BALL FEMALE .250-20 THREAD
2	06200305	7	BTL,RHSSN .250-20 X 0.5 G5 ZCC
3	07400126	7	SCR-TAP .38-16X.500 HWH ZCC
4	07500429	7	COUPLING, RUBBER PUSH-IN
5	09458653	1	COVER, BELT 48" RIGHT (RED)
6	09458753	1	COVER, BELT 48" LEFT (RED)
7	09461300	1	GRIP, STEP ANTI SKID HD XF3

BELT COVERS – 52"

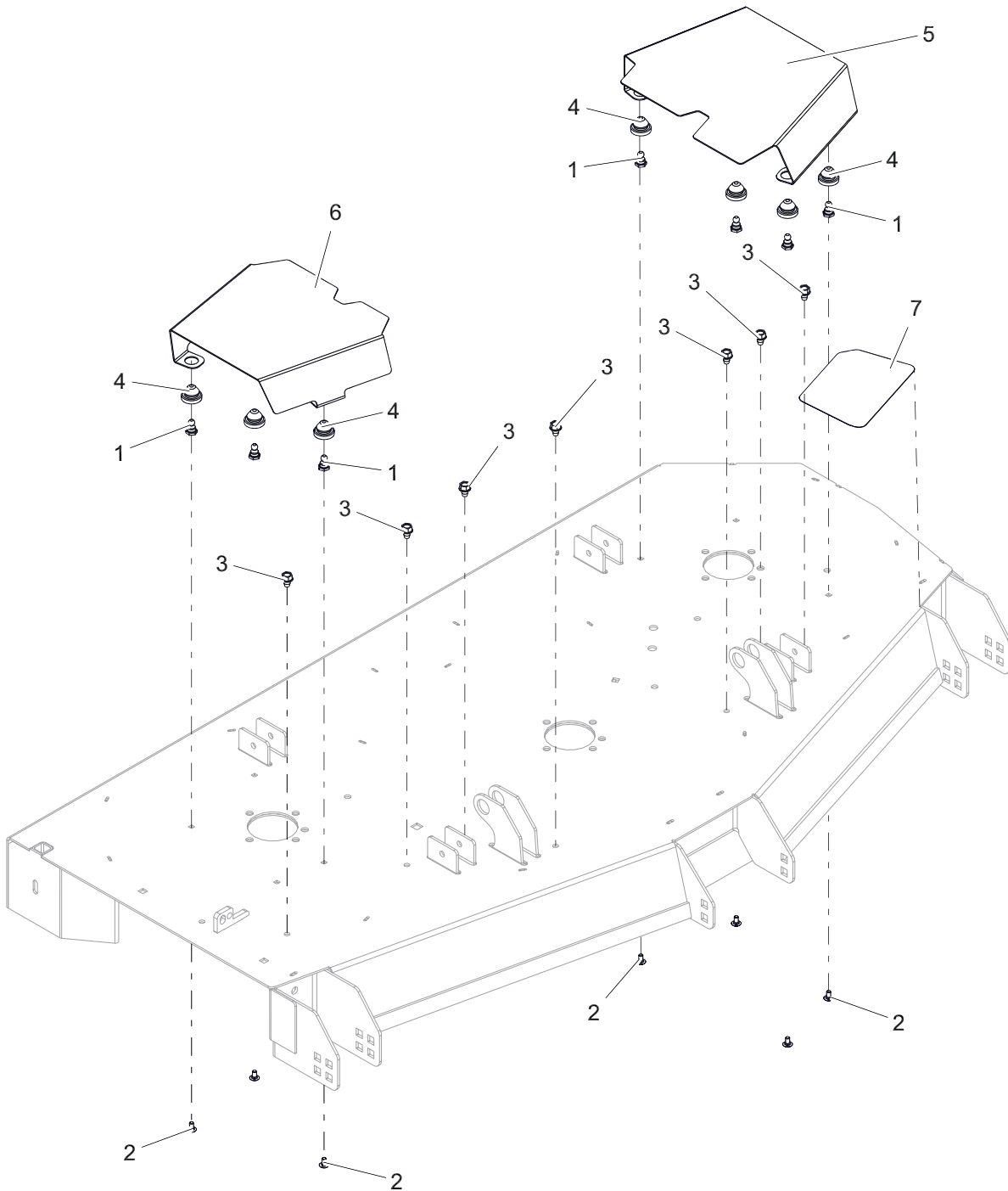
Model 991288



BOM ID	Number	Qty	Description
1	05275900	7	STUD, BALL FEMALE .250-20 THREAD
2	06200305	7	BTL,RHSSN .250-20 X 0.5 G5 ZCC
3	07400126	7	SCR-TAP .38-16X.500 HWH ZCC
4	07500429	7	COUPLING, RUBBER PUSH-IN
5	09458853	1	COVER, BELT 52" LEFT
6	09458953	1	COVER, BELT 52" RIGHT
7	09461300	1	GRIP, STEP ANTI SKID HD XF3

BELT COVERS – 60"

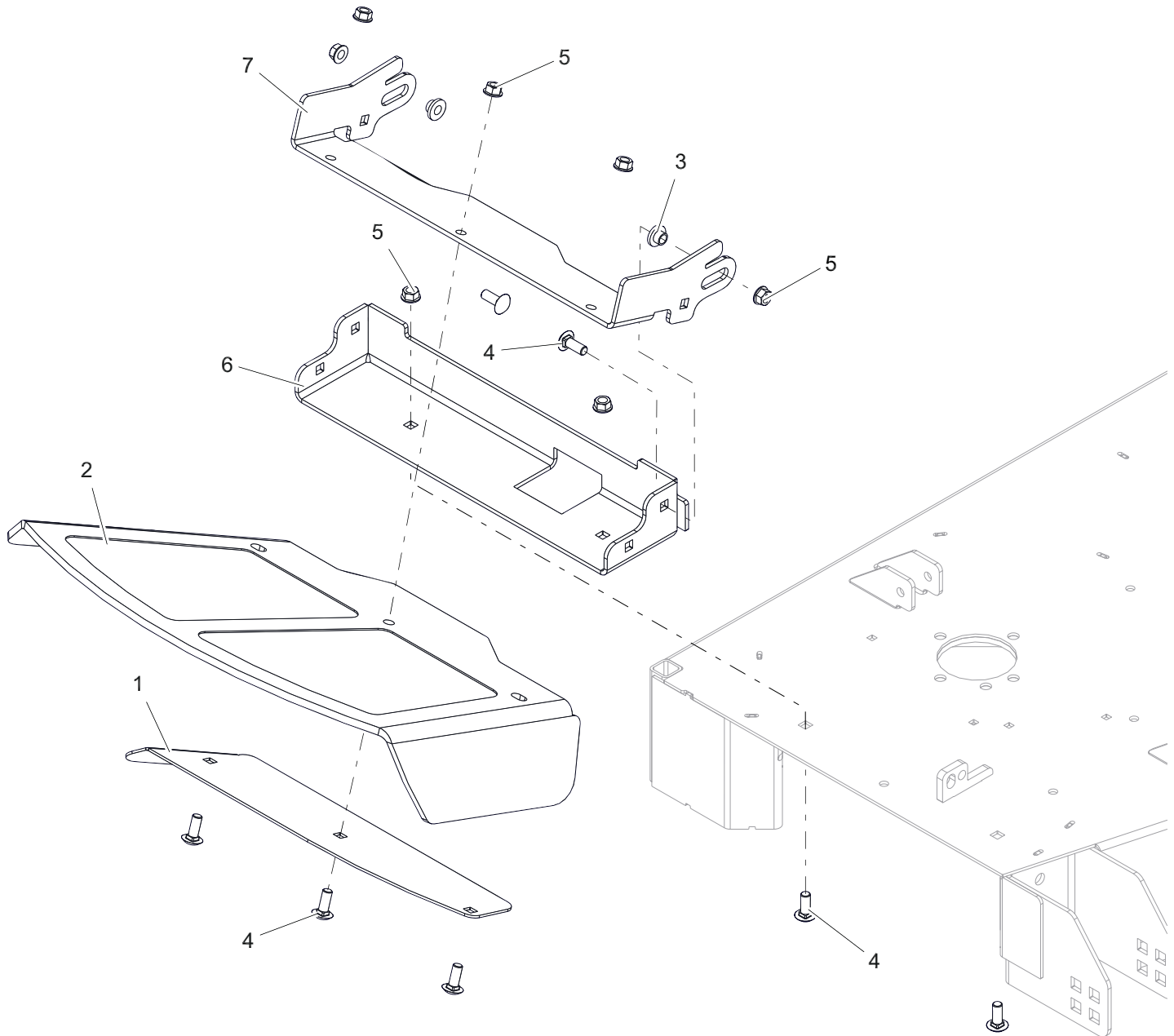
Model 991290



BOM ID	Number	Qty	Description
1	05275900	7	STUD, BALL FEMALE .250-20 THREAD
2	06200305	7	BTL,RHSSN .250-20 X 0.5 G5 ZCC
3	07400126	7	SCR-TAP .38-16X.500 HWH ZCC
4	07500429	7	COUPLING, RUBBER PUSH-IN
5	09459053	1	COVER, BELT 60" LEFT (RED)
6	09459153	1	COVER, BELT 60" RIGHT (RED)
7	09461300	1	GRIP, STEP ANTI SKID HD XF3

DISCHARGE CHUTE – 48"

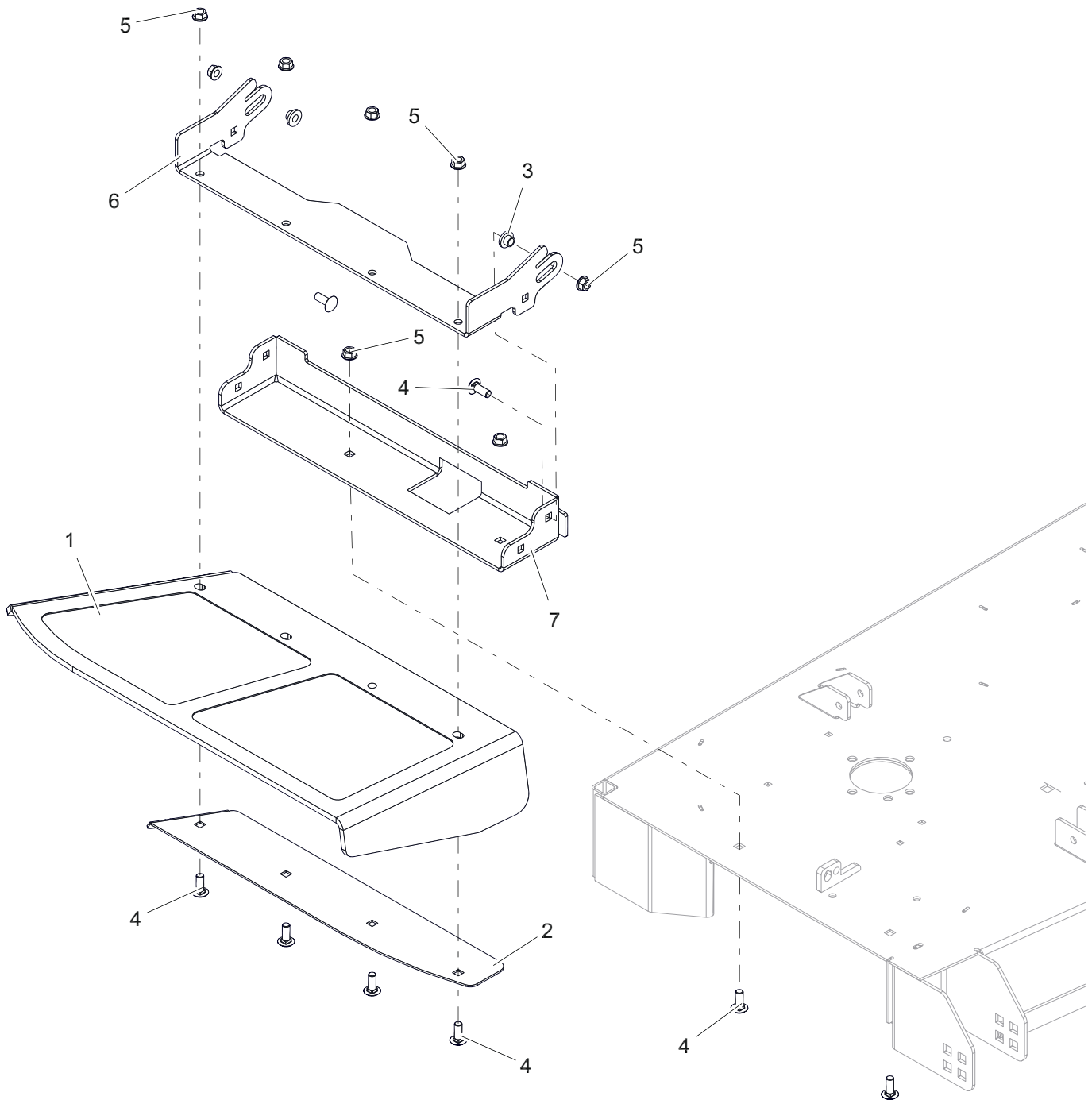
Model 991286



BOM ID	Number	Qty	Description
1	04873753	1	PLATE, 48-60" DISCH CHUTE CLAMP (RED)
2	05269900	1	CHUTE, FORMED RUBBER DISCHARGE
3	05500435	2	BUSHING FLANGED FLG .385 X .500 X .875 X .406
4	06200235	7	BTL,RHSSN .375-16 X 1 G5 ZCC
5	06500901	7	NUT, FLG-CTR LK .375-16 GR5 ZC120
6	09381953	1	BASE, 48" DISCHARGE CHUTE MTG BRKT (RED)
7	09458553	1	BRKT, CHUTE MTG (RED)

DISCHARGE CHUTE – 52" AND 60"

Model 991288, 290



BOM ID	Number	Qty	Description
1	04880900	1	CHUTE, FORMED RUBBER DISCHARGE
2	04976153	1	PLATE, DICH CHUTE CLAMP (RED)
3	05500435	2	BUSHING FLANGED FLG .385 X .500 X .875 X .406
4	06200235	8	BTL,RHSSN .375-16 X 1 G5 ZCC
5	06500901	8	NUT, FLG-CTR LK .375-16 GR5 ZC120
6	09374253	1	BRKT, CHUTE MTG (RED)
7	59229900	1	BASE, DISCHARGE CHUTE MTG (RED) W/ SAFETY DECALS



655 West Ryan Street
Brillion, WI 54110

gravelly.com



ARIENS|CO