



ZT HD

Parts Manual

Models:

991266 – ZT HD 44
(SN 000101 +)

991268 – ZT HD 48
(SN 000101 +)

991270 – ZT HD 52
(SN 000101 +)

991272 – ZT HD 60
(SN 000101 +)

991274 – ZT HD 48
(SN 000101 +)

991276 – ZT HD 52
(SN 000101 +)

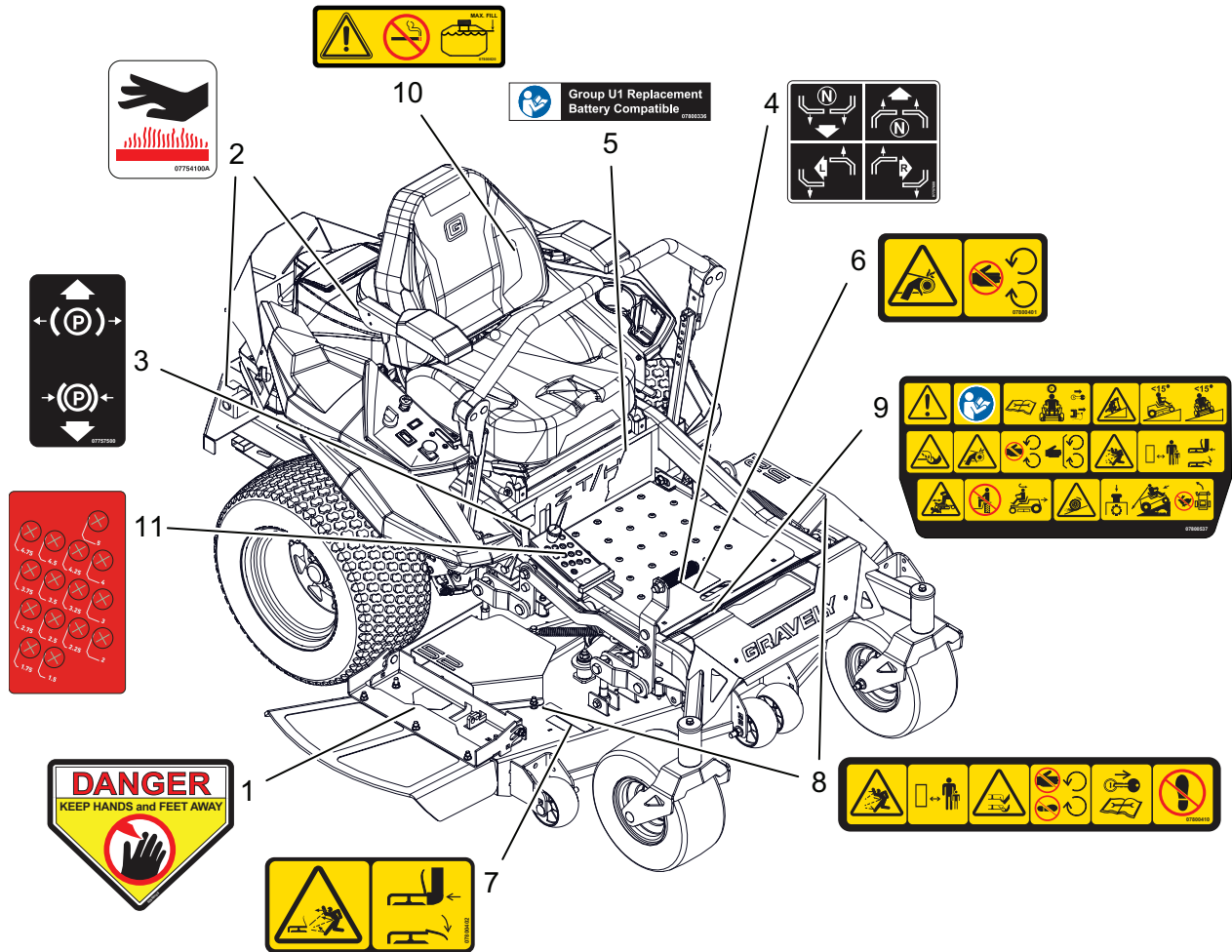
991278 – ZT HD 60
(SN 000101 +)

TABLE OF CONTENTS

Decals – Safety	3	Transaxle Drive	27
Decals – Style – 44"	4	Control Panel	28
Decals – Style – 48"	5	Electrical.....	29
Decals – Style – 52"	6	Wiring Diagram	30
Decals – Style – 60"	7	Deck Lift – LH.....	31
Frame – 44", 48" and 52"	8	Deck Lift – RH.....	32
Frame – 60"	9	Deck, Belts, Blades and Spindles – 44"	33
Engine – Kawasaki FR651V	10	Deck, Belts, Blades and Spindles – 48"	34
Engine – Kawasaki FR691	11	Deck, Belts, Blades and Spindles – 52"	35
Engine – Kawasaki FR730	12	Deck, Belts, Blades and Spindles – 60".....	36
Engine – Kohler KT740	13	Idlers and Sheaves – 44" and 48"	37
Engine – Kohler KT745	14	Idlers and Sheaves – 52"	38
Clutch	15	Idlers and Sheaves – 60"	39
Heat Shield	16	Anti-Scalp Wheels and Baffles – 44" and 48"	40
Seat	17	Anti-Scalp Wheels and Baffles – 52"	41
Engine Guard and Fenders	18	Anti-Scalp Wheels and Baffles – 60"	42
Fuel System – Kawasaki	19	Belt Guards – 44"	43
Fuel System – Kohler	20	Belt Guards – 48"	44
Controls	21	Belt Guards – 52"	45
Parking Brake	22	Belt Guards – 60"	46
Front Caster Wheels.....	23	Discharge Chute – 44" and 48"	47
Rear Tires and Transaxles – 44" and 48".....	24	Discharge Chute – 52" and 60".....	48
Rear Tires and Transaxles – 52"	25		
Rear Tires and Transaxles – 60"	26		

DECALS – SAFETY

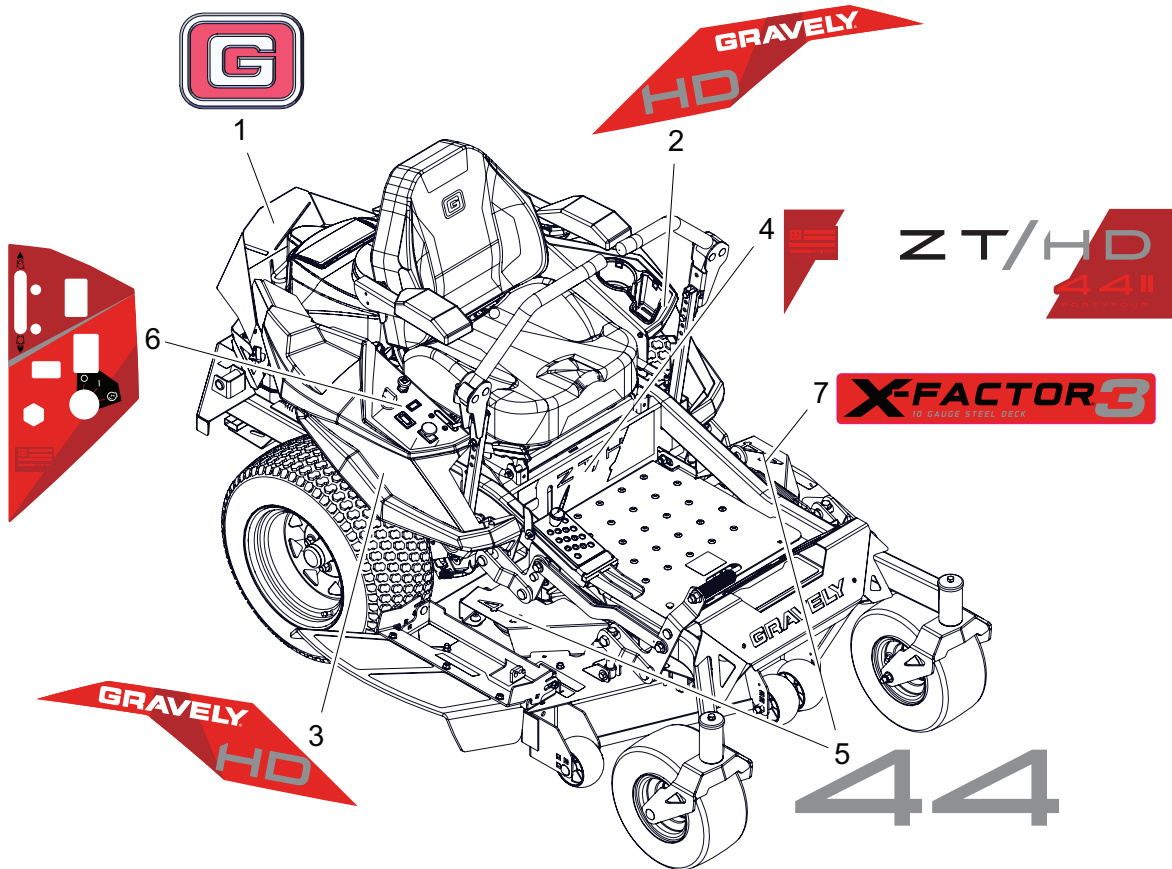
Model All



BOM ID	Number	Qty	Description
1	02988100	1	DECAL, DANGER
2	07754100	2	DECAL, HOT SURFACE
3	07757500	1	DECAL, PARKING BRAKE LEVER
4	07757600	1	DECAL, INSTRUCTION - STEERING
5	07800336	1	DECAL, INSTRUCTION - U1 REPLACEMENT BATTERY
6	07800401	1	DECAL, SAFETY - GUARDING
7	07800402	1	DECAL, SAFETY - DECK GUARDING
8	07800410	2	DECAL, DECK SAFETY
9	07800537	1	DECAL, SAFETY - IKON ZTX
10	07800820	1	DECAL, FUEL WARNING
11	07801210	1	DECAL, HEIGHT OF CUT

DECALS – STYLE – 44"

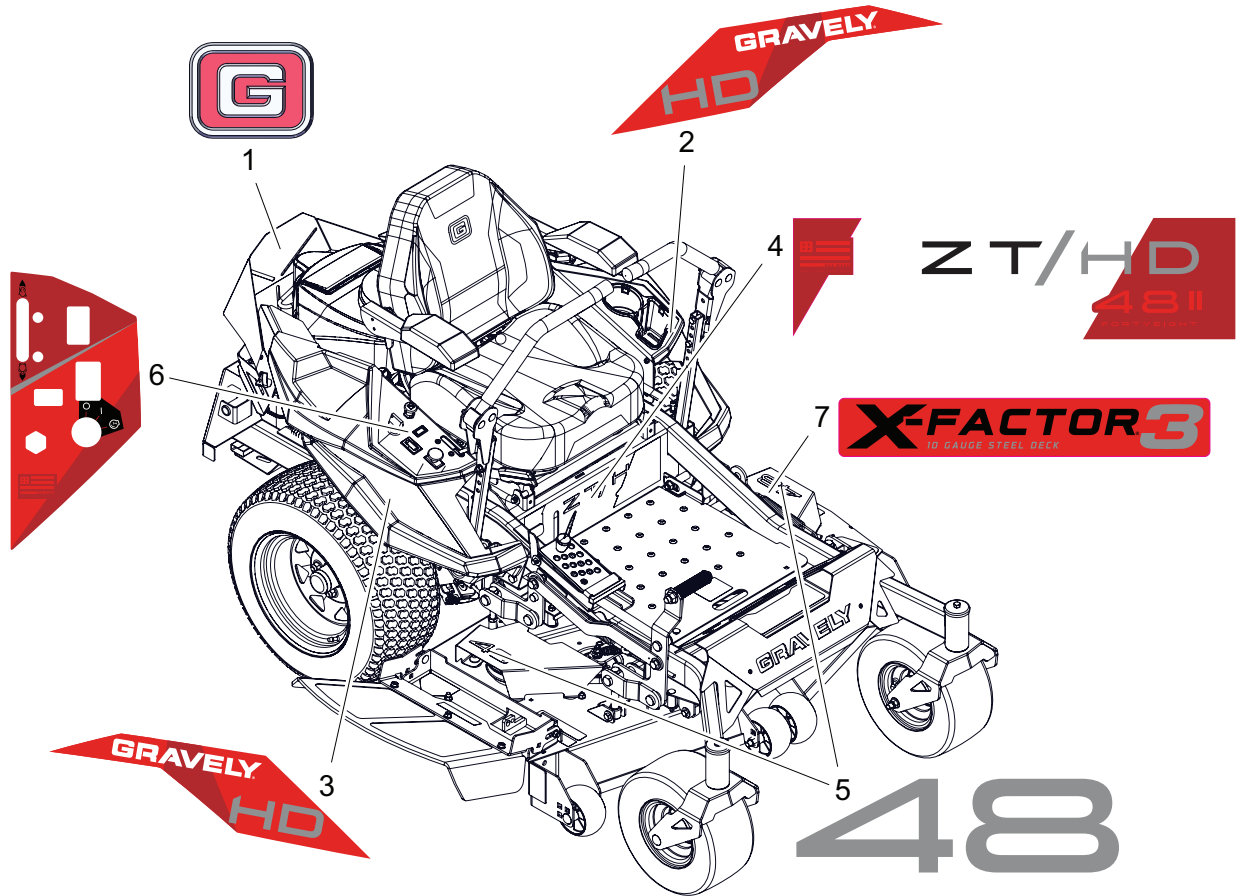
Model 991266



BOM ID	Number	Qty	Description
1	07800534	1	DECAL, GRAVELY BRAND
2	07801109	1	DECAL, FENDER LH - HD
3	07801110	1	DECAL, FENDER RH - HD
4	07801118	1	DECAL, ZT/HD - 44
5	07801122	2	DECAL, DECK - 44
6	07801126	1	DECAL, CONTROL PANEL
7	07801609	1	DECAL, X-FACTOR 3

DECALS – STYLE – 48"

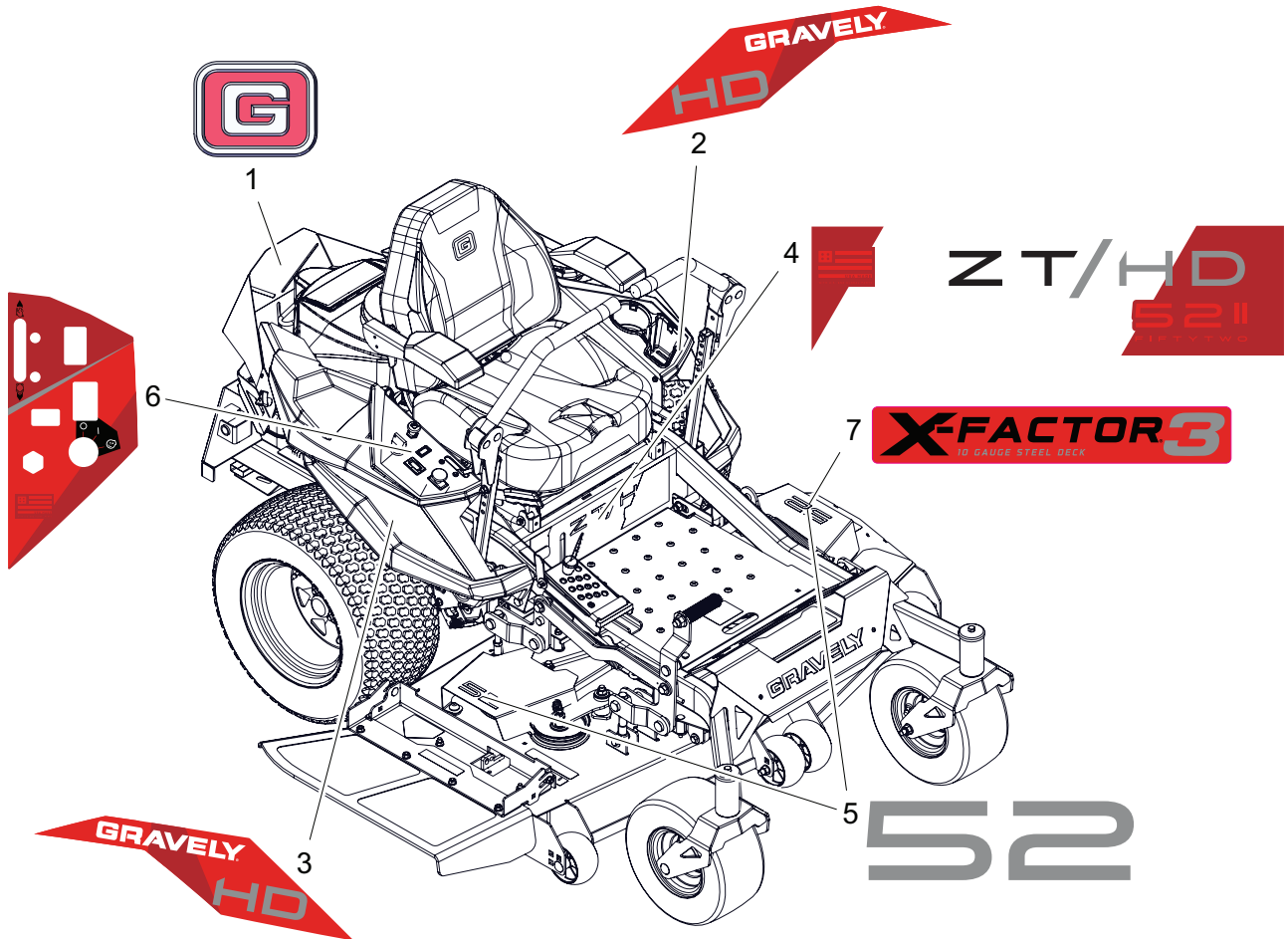
Model 991268, 274



BOM ID	Number	Qty	Description
1	07800534	1	DECAL, GRAVELY BRAND
2	07801109	1	DECAL, FENDER LH - HD
3	07801110	1	DECAL, FENDER RH - HD
4	07801119	1	DECAL, ZT/HD - 48
5	07801123	2	DECAL, DECK - 48
6	07801126	1	DECAL, CONTROL PANEL
7	07801609	1	DECAL, X-FACTOR 3

DECALS – STYLE – 52"

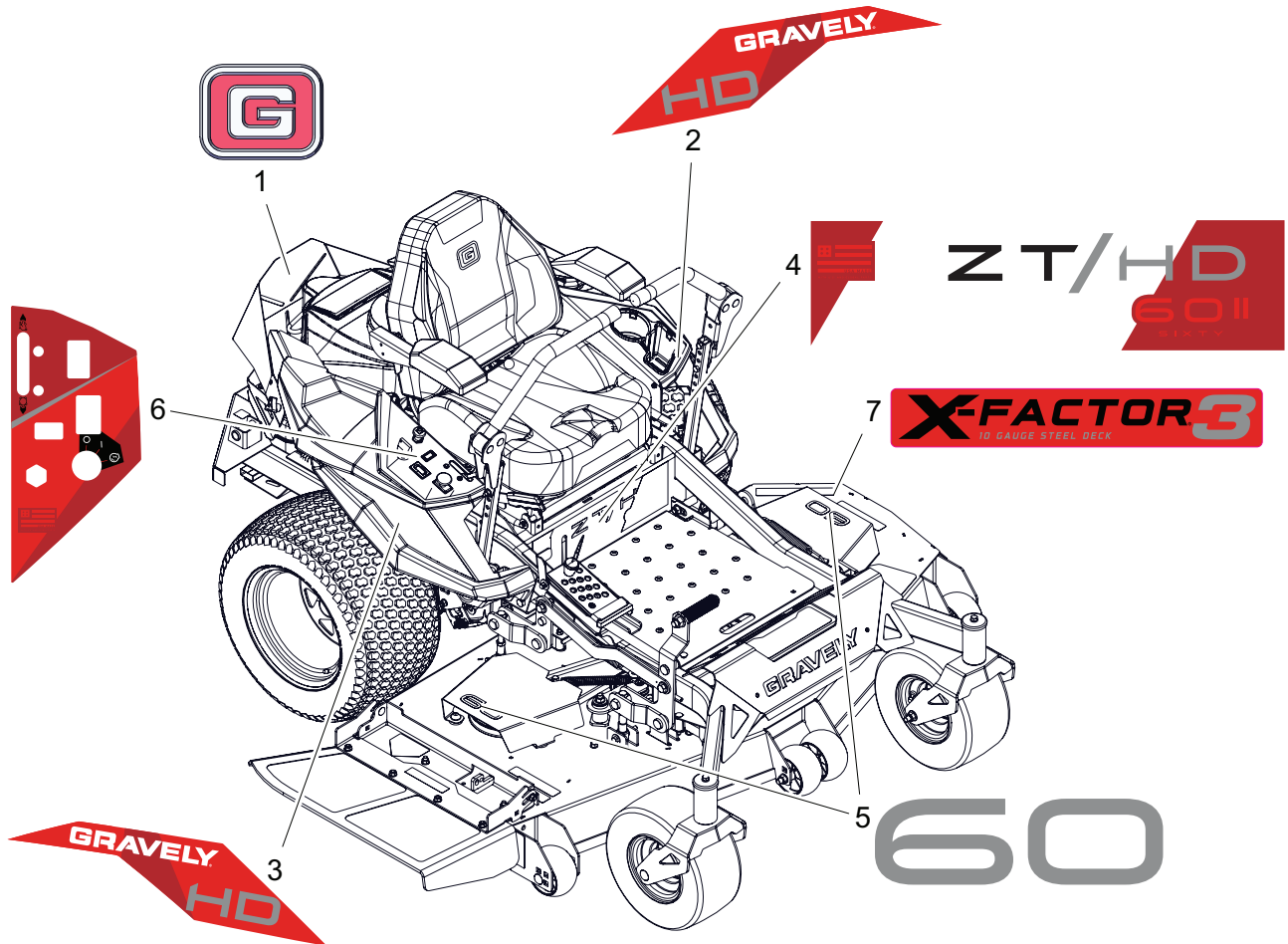
Model 991270, 276



BOM ID	Number	Qty	Description
1	07800534	1	DECAL, GRAVELY BRAND
2	07801109	1	DECAL, FENDER LH - HD
3	07801110	1	DECAL, FENDER RH - HD
4	07801120	1	DECAL, ZT/HD - 52
5	07801124	2	DECAL, DECK - 52
6	07801126	1	DECAL, CONTROL PANEL
7	07801609	1	DECAL, X-FACTOR 3

DECALS – STYLE – 60"

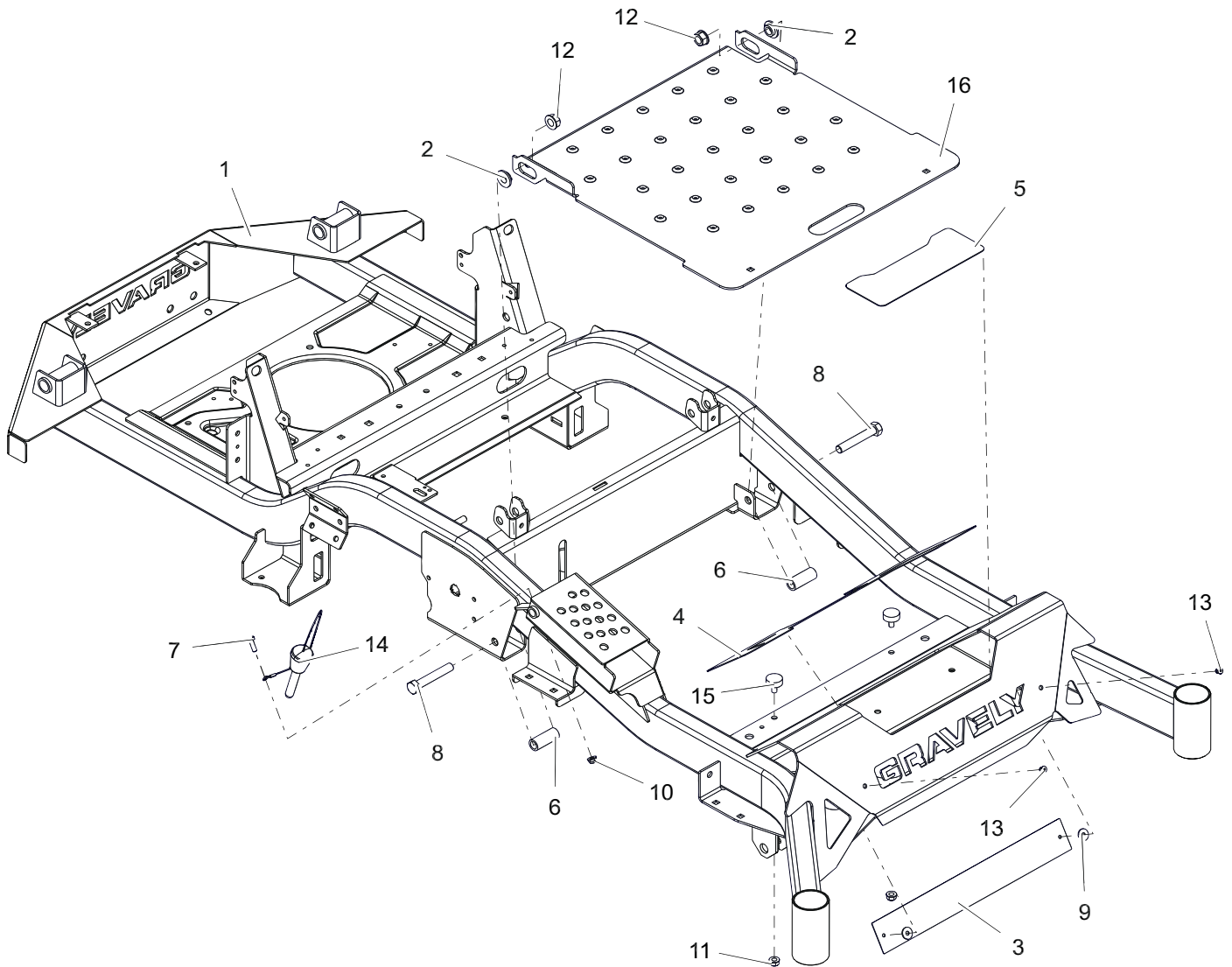
Model 991272, 278



BOM ID	Number	Qty	Description
1	07800534	1	DECAL, GRAVELY BRAND
2	07801109	1	DECAL, FENDER LH - HD
3	07801110	1	DECAL, FENDER RH - HD
4	07801121	1	DECAL, ZT/HD - 60
5	07801125	2	DECAL, DECK - 60
6	07801126	1	DECAL, CONTROL PANEL
7	07801609	1	DECAL, X-FACTOR 3

FRAME – 44", 48" AND 52"

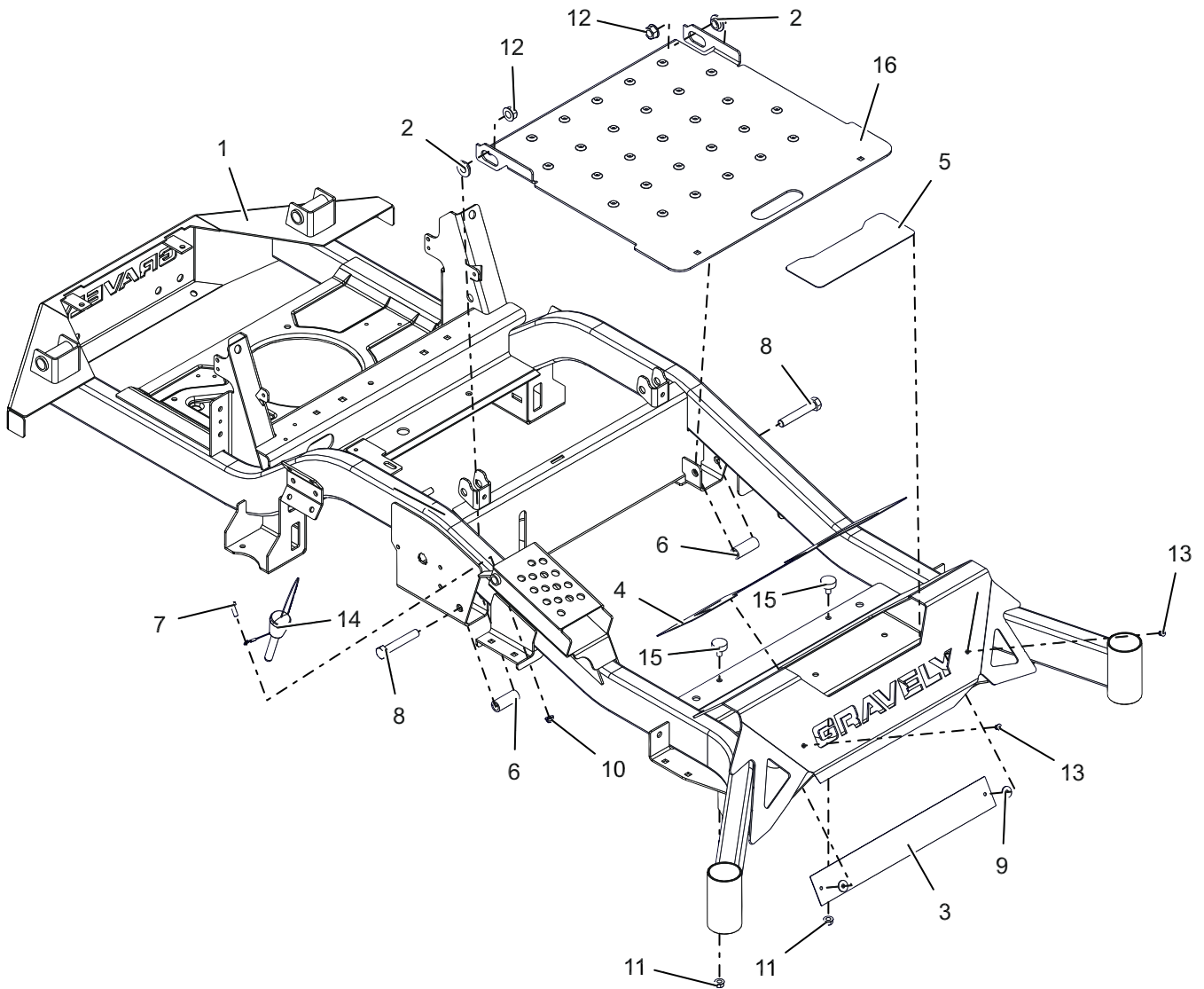
Model 991266, 268, 270, 274, 276



BOM ID	Number	Qty	Description
1	59117500	1	WLDMT, MAIN FRAME -HD 44/52
2	03989100	2	BUSHING FLANGED .515X.750X.31X1.12
3	04718451	1	PLATE, BACK
4	05104800	1	GRIP, FRONT
5	05109100	1	GRIP, STEP
6	05501319	2	SPCR, .515X.75X1.83
7	05901716	1	BLT, HEX 0.25-20X0.75 GR5 ZC120
8	05901737	2	BLT, HEX 0.5-13X3 GR5 ZCC
9	06401214	2	WSHR, RBR W/ADHESIVE .25X.75X.06
10	06500813	1	NUT, LK-NYL-FLG .25-20 GR5 ZC120
11	06500815	2	NUT, FLG-SPNLK .312-18 GR5 ZC120
12	06500907	2	NUT, FLG-TOP LK .500-13 GF ZCC
13	06800120	2	RVT, POP .187x.250 AL/AL
14	06800203	1	PIN, MAGNETIC .50X2.50
15	07533600	2	BUMPER, RUBBER
16	59113500	1	KIT,ACCESS PANEL W/DECALS-RED

FRAME - 60"

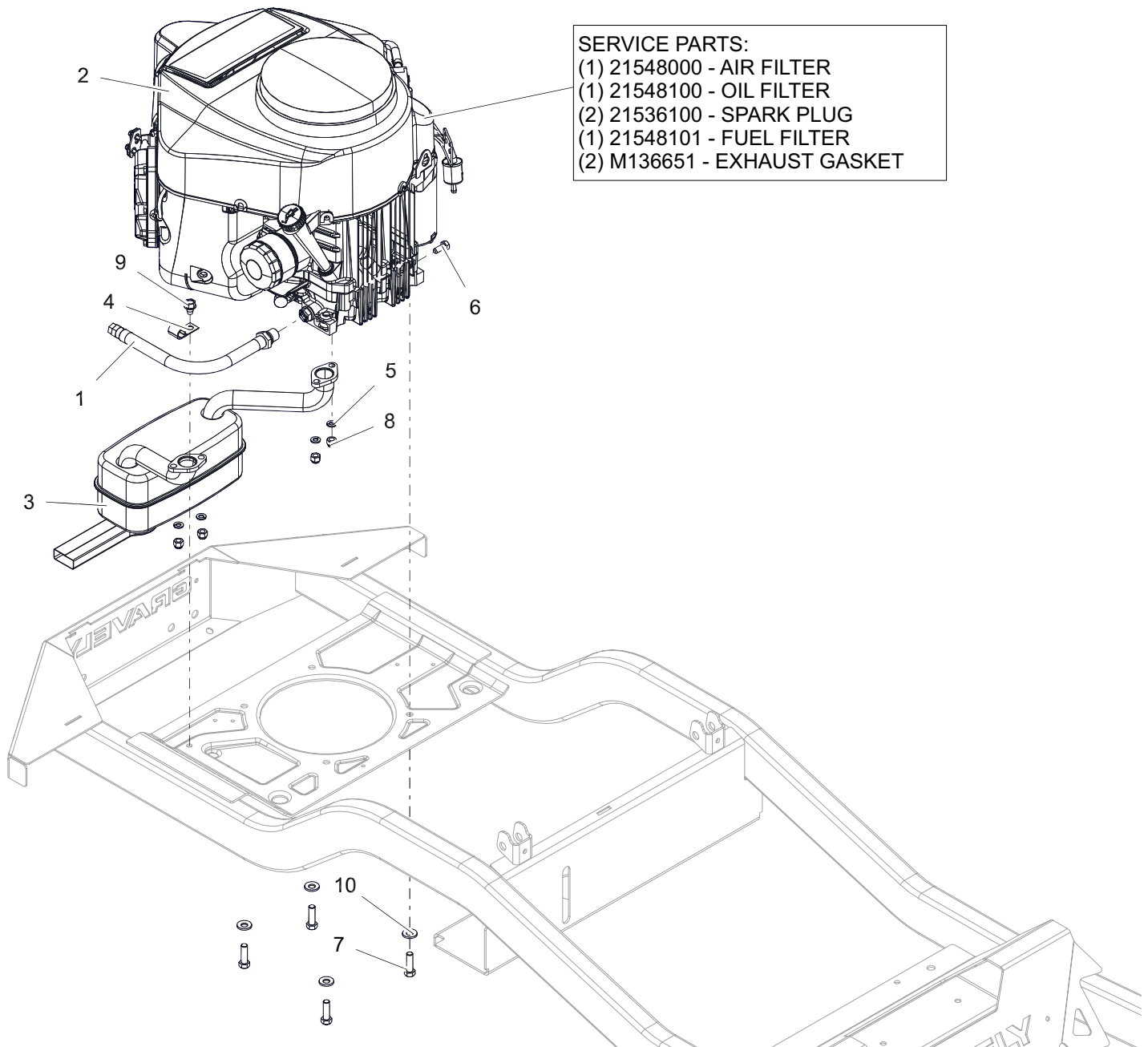
Model 991272, 278



BOM ID	Number	Qty	Description
1	59117400	1	WLDMT, MAIN FRAME -HD 60 (RED)
2	03989100	2	BSHG, FLANGE .515X.750X.31X1.12
3	04718451	1	PLATE, BACK
4	05104800	1	GRIP, FRONT
5	05109100	1	GRIP, STEP
6	05501319	2	SPCR, .515X.75X1.83
7	05901716	1	BLT, HEX 0.25-20X0.75 GR5 ZC120
8	05901737	2	BLT, HEX 0.5-13X3 GR5 ZCC
9	06401214	2	WSHR, RBR W/ADHESIVE .25X.75X.06
10	06500813	1	NUT, LK-NYL-FLG .25-20 GR5 ZC120
11	06500815	2	NUT, FLG-SPNLK .312-18 GR5 ZC120
12	06500907	2	NUT, FLG-TOP LK .500-13 GF ZCC
13	06800120	2	RVT, POP .187x.250 AL/AL
14	06800203	1	PIN, MAGNETIC .50X2.50
15	07533600	2	BUMPER, RUBBER
16	59113500	1	KIT,ACCESS PANEL W/DECALS-RED

ENGINE – KAWASAKI FR651V

Model 991266

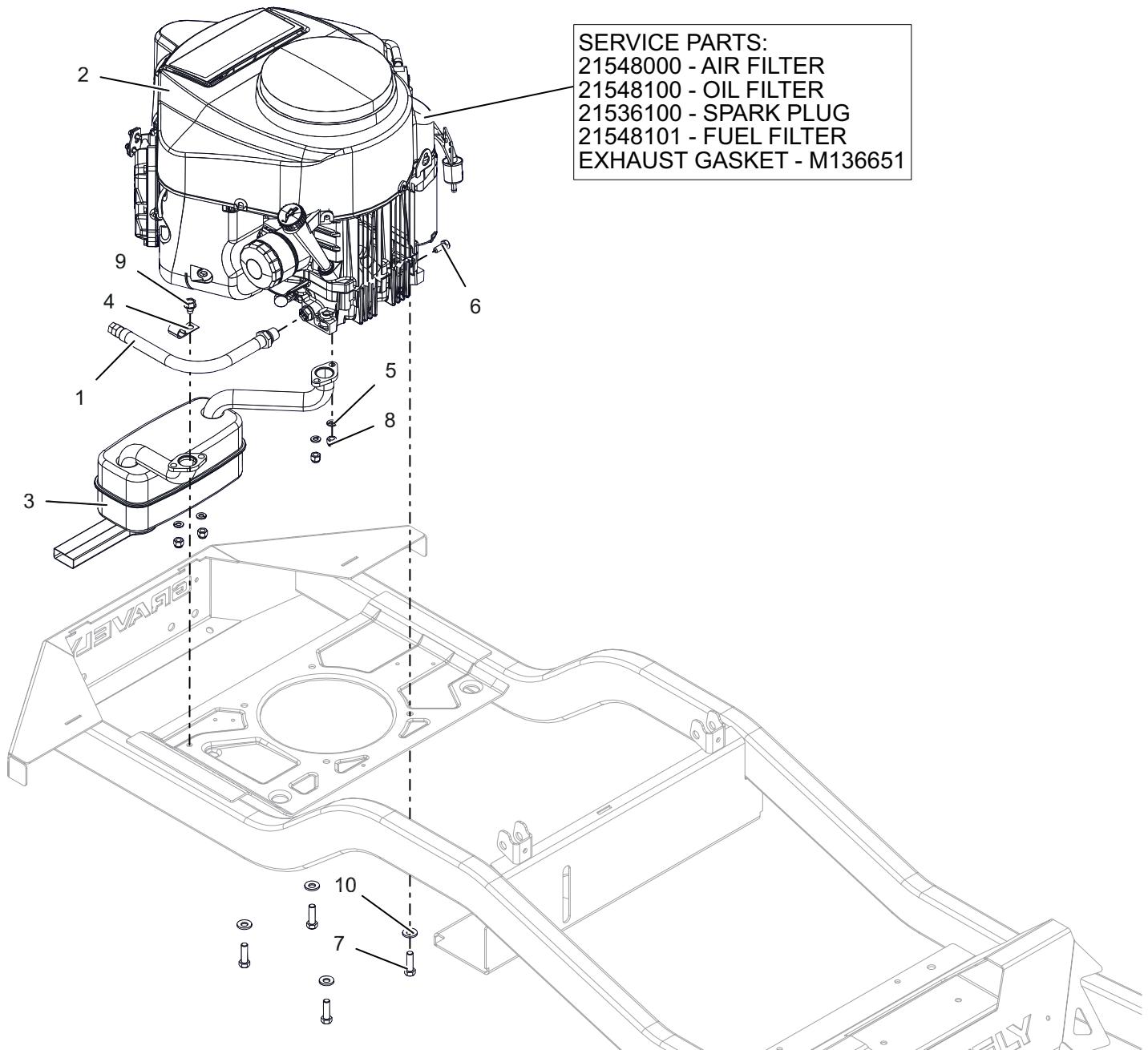


SERVICE PARTS:
 (1) 21548000 - AIR FILTER
 (1) 21548100 - OIL FILTER
 (2) 21536100 - SPARK PLUG
 (1) 21548101 - FUEL FILTER
 (2) M136651 - EXHAUST GASKET

BOM ID	Number	Qty	Description
1	07001730	1	HOSE, OIL DRAIN
2	08200631	1	ENGINE, KAWASAKI
3	04754300	1	MUFFLER, KAWASAKI
4	06916000	1	J-CLAMP
5	06300119	4	WSHR,LK-REG 0.314 X 0.078 ZCC
6	05901628	1	BLT,HEX M8-1.25X20 G8.8 ZC120
7	05901808	4	BLT, HEX 0.375-16X1.25 GR5 ZCC NT
8	06500817	4	NUT, LK-NYL M8-1.25 GR8.8 ZCC
9	07400126	1	SCR-TAP .38-16X.500 HWH ZCC
10	06400927	4	WSHR, 3/8" SPRING DISC

ENGINE – KAWASAKI FR691

Model 991268, 270

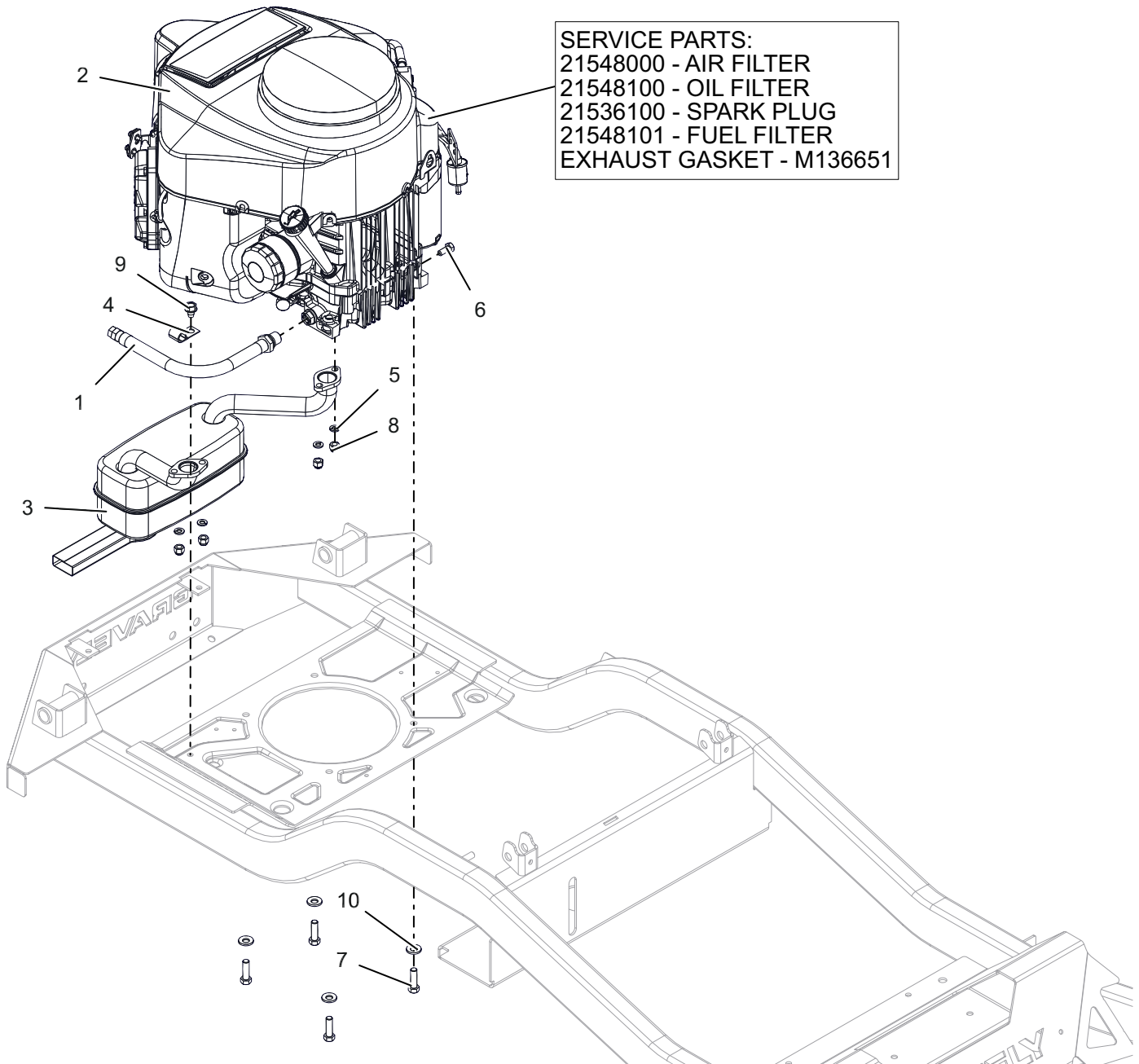


SERVICE PARTS:
 21548000 - AIR FILTER
 21548100 - OIL FILTER
 21536100 - SPARK PLUG
 21548101 - FUEL FILTER
 EXHAUST GASKET - M136651

BOM ID	Number	Qty	Description
1	07001730	1	HOSE, OIL DRAIN
2	08200717	1	ENGINE, KAWASAKI
3	04754300	1	MUFFLER, KAWASAKI
4	06916000	1	J-CLAMP
5	06300119	4	WSHR,LK-REG 0.314 X 0.078 ZCC
6	05901628	1	BLT,HEX M8-1.25X20 G8.8 ZC120
7	05901808	4	BLT, HEX 0.375-16X1.25 GR5 ZCC NT
8	06500817	4	NUT, LK-NYL M8-1.25 GR8.8 ZCC
9	07400126	1	SCR-TAP .38-16X.500 HWH ZCC
10	06400927	4	WSHR, 3/8" SPRING DISC

ENGINE – KAWASAKI FR730

Model 991272

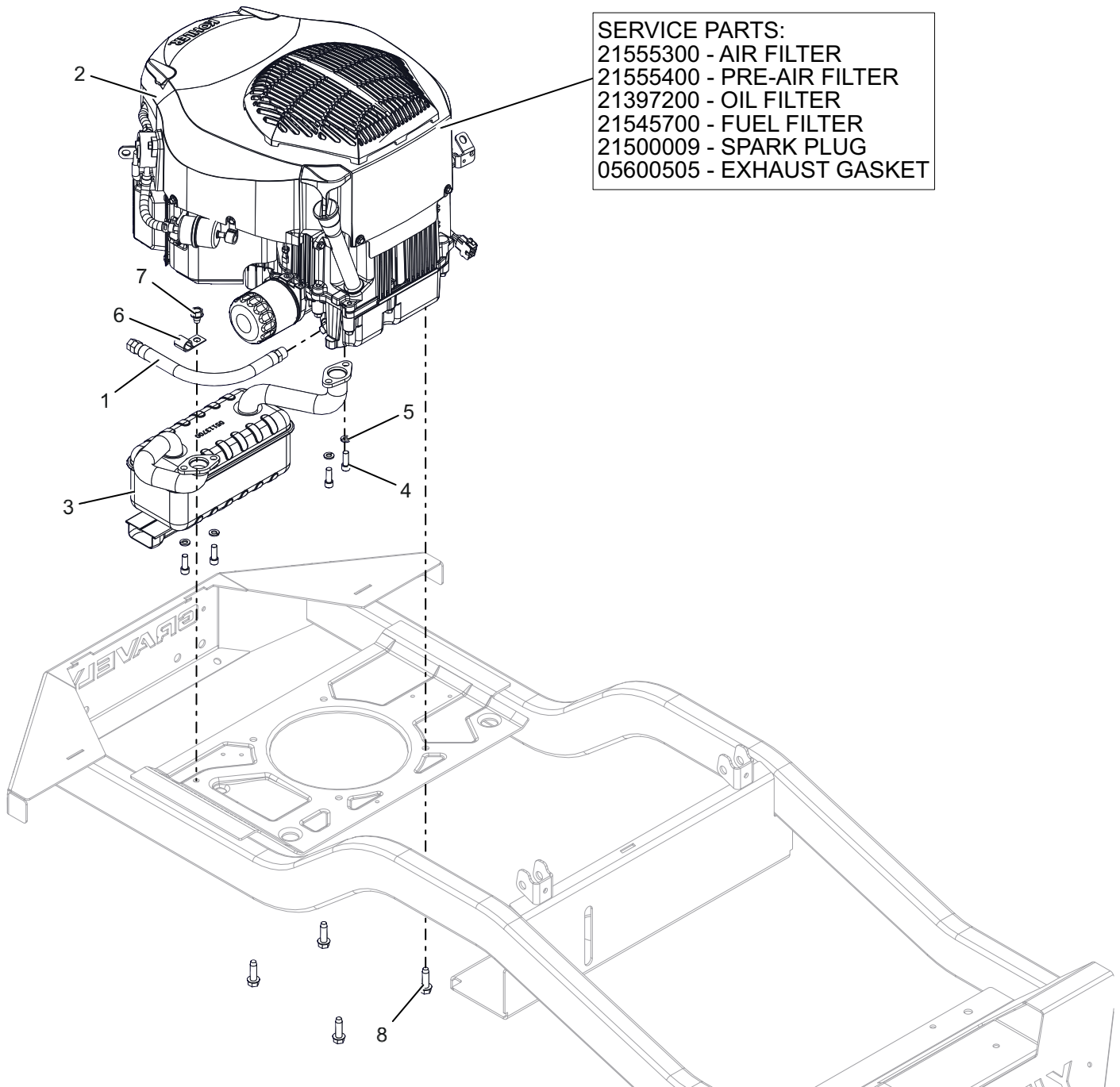


SERVICE PARTS:
 21548000 - AIR FILTER
 21548100 - OIL FILTER
 21536100 - SPARK PLUG
 21548101 - FUEL FILTER
 EXHAUST GASKET - M136651

BOM ID	Number	Qty	Description
1	07001730	1	HOSE, OIL DRAIN
2	08200718	1	ENGINE, KAWASAKI FR730 24HP
3	04754300	1	MUFFLER, KAWASAKI
4	06916000	1	J-CLAMP
5	06300119	4	WSHR,LK-REG 0.314 X 0.078 ZCC
6	05901628	1	BLT,HEX M8-1.25X20 G8.8 ZC120
7	05901808	4	BLT, HEX 0.375-16X1.25 GR5 ZCC NT
8	06500817	4	NUT, LK-NYL M8-1.25 GR8.8 ZCC
9	07400126	1	SCR-TAP .38-16X.500 HWH ZCC
10	06400927	4	WSHR, 3/8" SPRING DISC

ENGINE – KOHLER KT740

Model 991274, 276

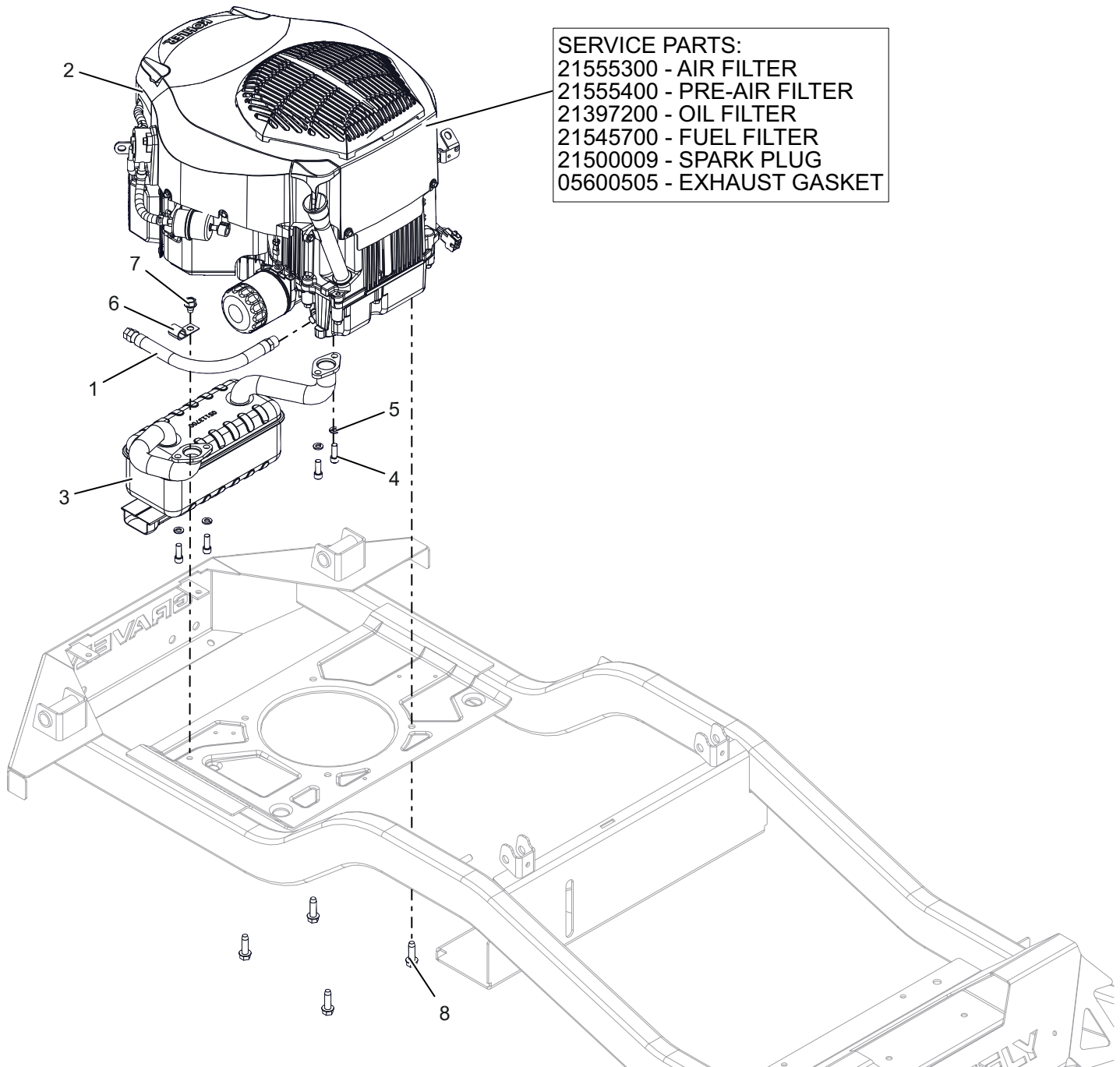


SERVICE PARTS:
 21555300 - AIR FILTER
 21555400 - PRE-AIR FILTER
 21397200 - OIL FILTER
 21545700 - FUEL FILTER
 21500009 - SPARK PLUG
 05600505 - EXHAUST GASKET

BOM ID	Number	Qty	Description
1	07001829	1	HOSE, OIL DRAIN
2	08201310	1	ENGINE, KOHLER - KT740
3	05113700	1	MUFFLER, KOHLER
4	05901839	4	SCR, SKH .312-18X.875 GR8 ZCC
5	06300119	4	WSHR,LK-REG 0.314 X 0.078 ZCC
6	06916000	1	J-CLAMP
7	07400126	1	SCR-TAP .38-16X.500 HWH ZCC
8	07400128	4	SCR-TAP .38-16X1.25 HWH ZCC

ENGINE – KOHLER KT745

Model 991278

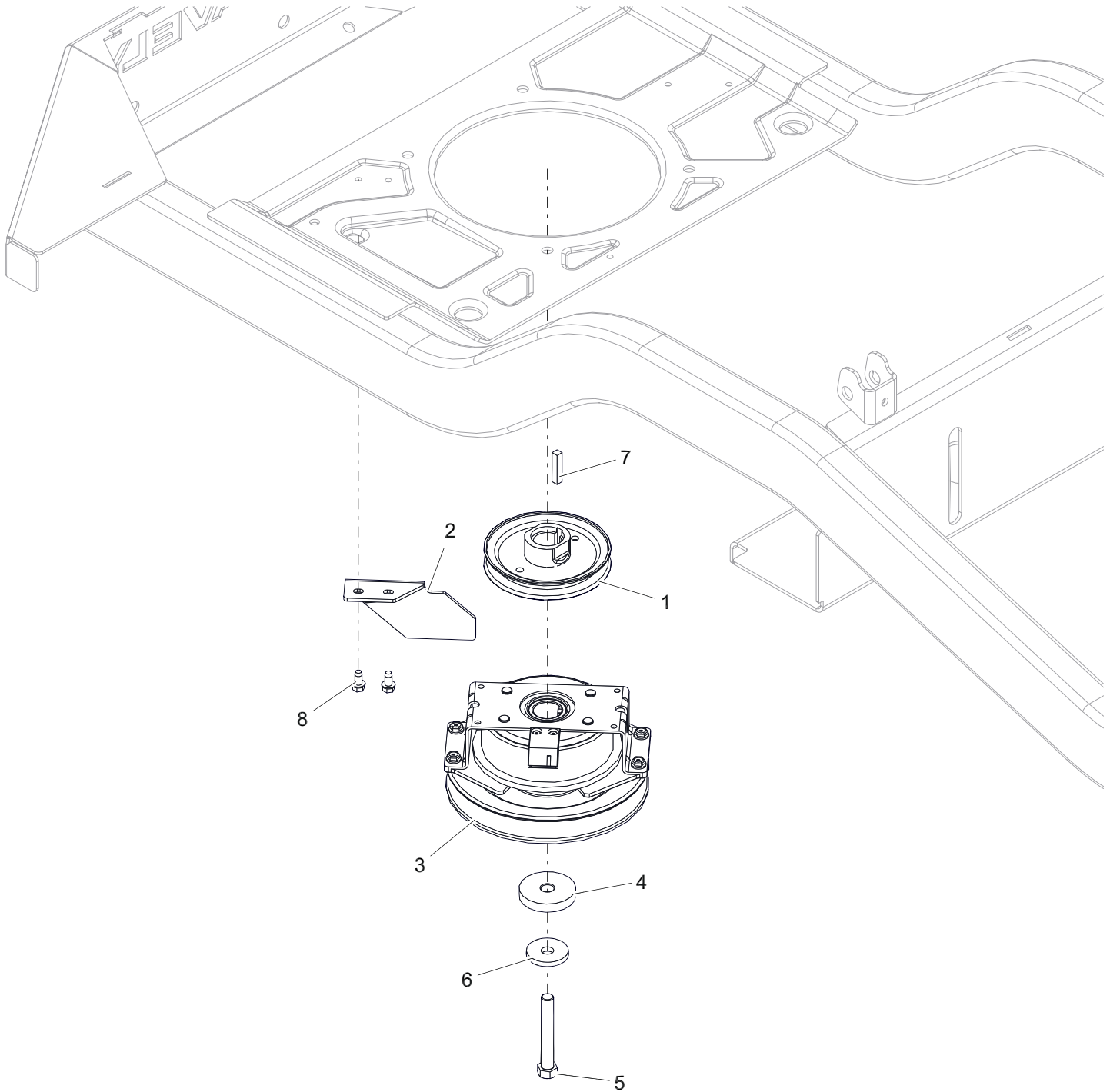


SERVICE PARTS:
 21555300 - AIR FILTER
 21555400 - PRE-AIR FILTER
 21397200 - OIL FILTER
 21545700 - FUEL FILTER
 21500009 - SPARK PLUG
 05600505 - EXHAUST GASKET

BOM ID	Number	Qty	Description
1	07001829	1	HOSE, OIL DRAIN
2	08201311	1	ENGINE, KOHLER - KT745
3	05113700	1	MUFFLER, KOHLER
4	05901839	4	SCR, SKH .312-18X.875 GR8 ZCC
5	06300119	4	WSHR,LK-REG 0.314 X 0.078 ZCC
6	06916000	1	J-CLAMP
7	07400126	1	SCR-TAP .38-16X.500 HWH ZCC
8	07400128	4	SCR-TAP .38-16X1.25 HWH ZCC

CLUTCH

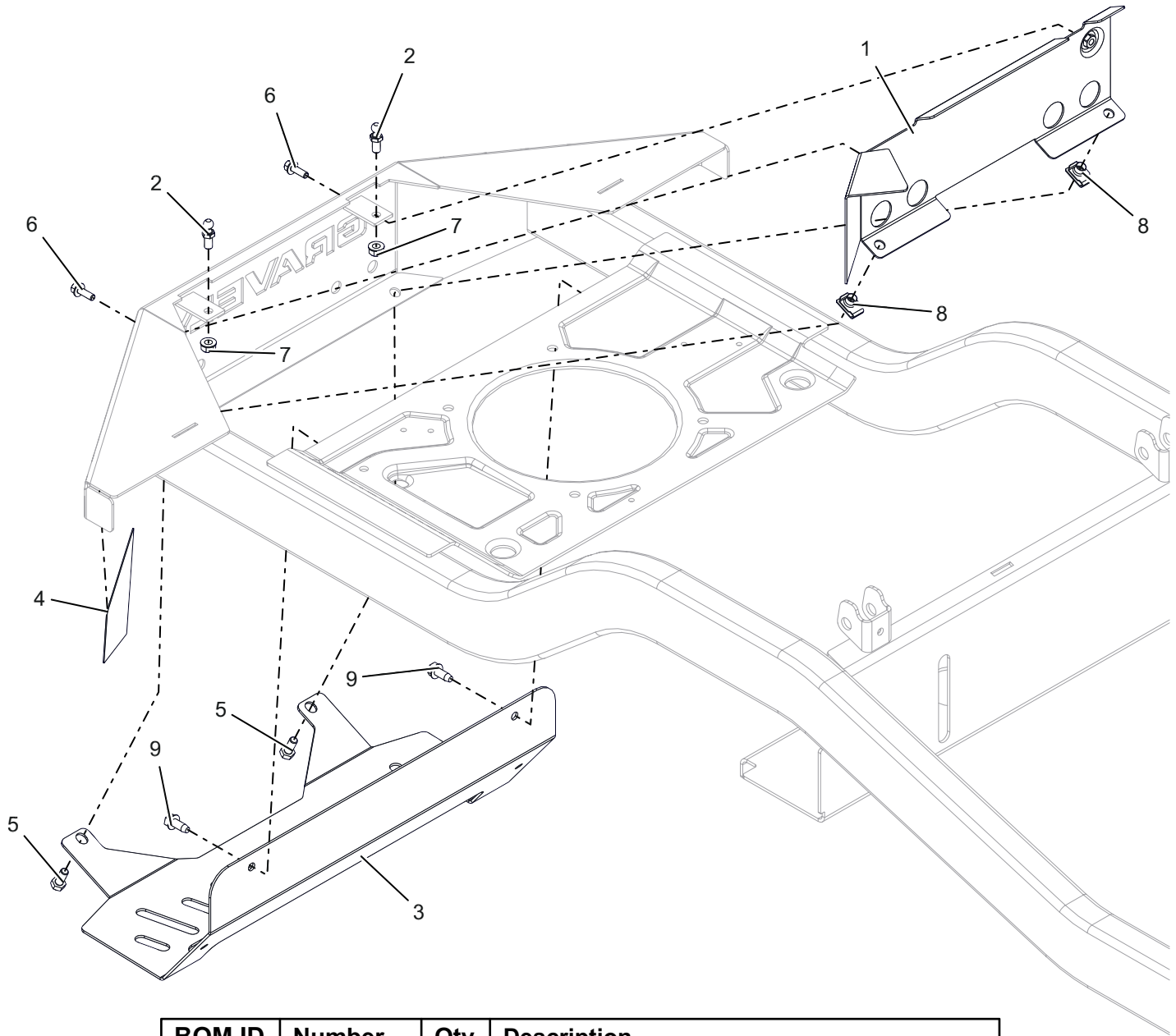
Model All



BOM ID	Number	Qty	Description
1	07346000	1	PULLEY, 4.50 OD X 1.003 ENGINE
2	05016151	1	BRKT, CLUTCH STOP (HD)
3	05118900	1	CLUTCH, OGURA, DBL SPRG
4	05501240	1	SPCR, .474/.459 X 2.00 X .350
5	05901819	1	BLT, HEX 0.4375-20X3 G8 ZCC NT
6	06400936	1	WSHR, 7/16" SPRING DISC
7	06603400	1	KEY-SQ .250X.250X1.250
8	07400122	2	SCR-TAP .25-20X.50 HWH ZCC

HEAT SHIELD

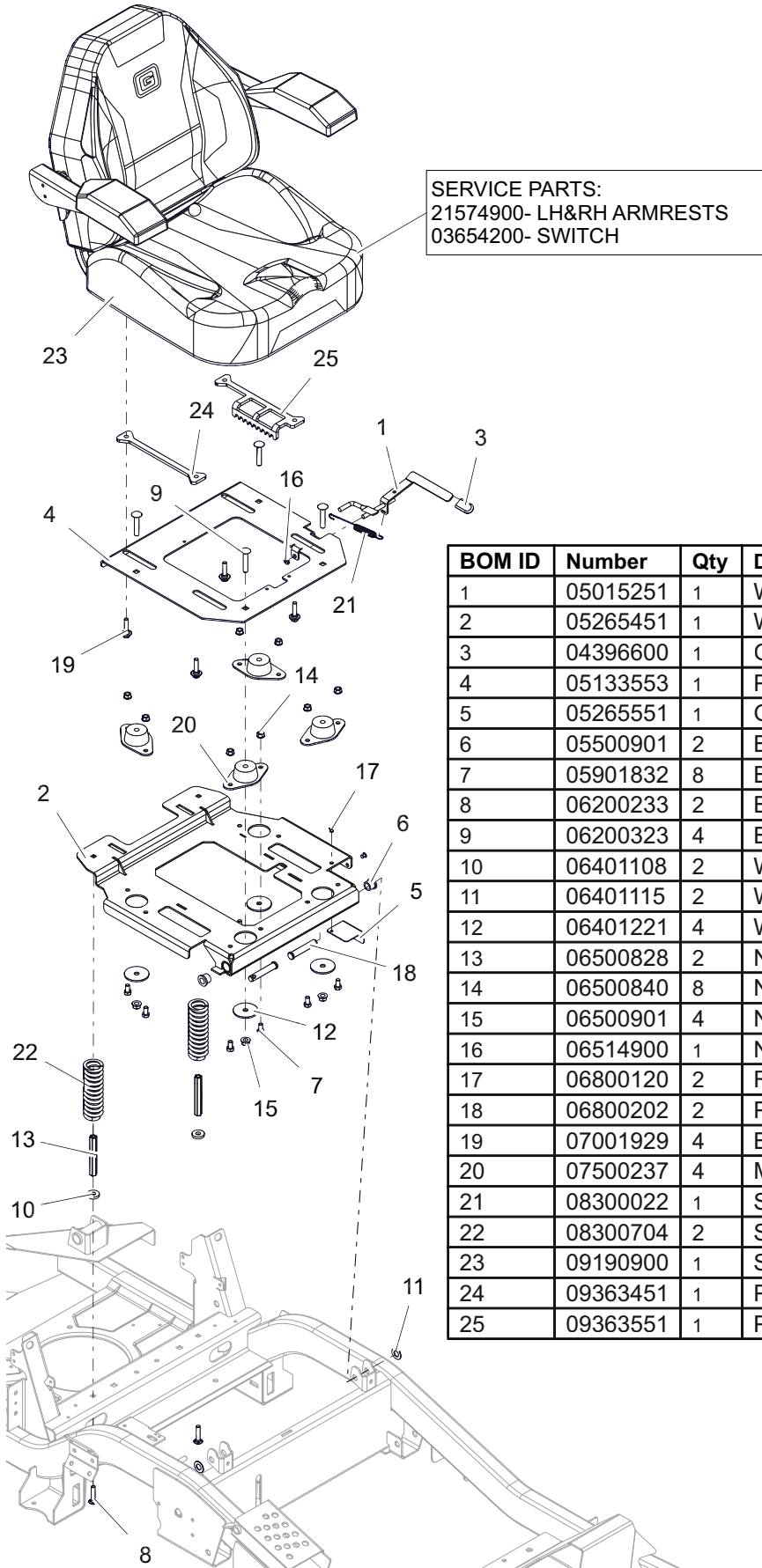
Model All



BOM ID	Number	Qty	Description
1	05116751	1	WLDMT, HEAT BAFFLE (BLACK)
2	03652200	2	STUD-BALL
3	05082851	1	SHIELD, HEAT (HD) (BLACK)
4	05116800	1	TAPE, HEAT
5	05901704	2	BLT, HEX 0.3125-18X0.75 GR5 ZC120
6	05901731	2	BLT, HEX-FLG 0.25-20X0.75 GR5 ZB500
7	06500840	2	NUT, FLG-CTR LK .312-18 GR5 ZCC
8	07000829	2	NUT-CLIP RETAINER 5/16-18X.56
9	07400127	2	SCR-TAP .312-18X.75 HWH ZCC

SEAT

Model All

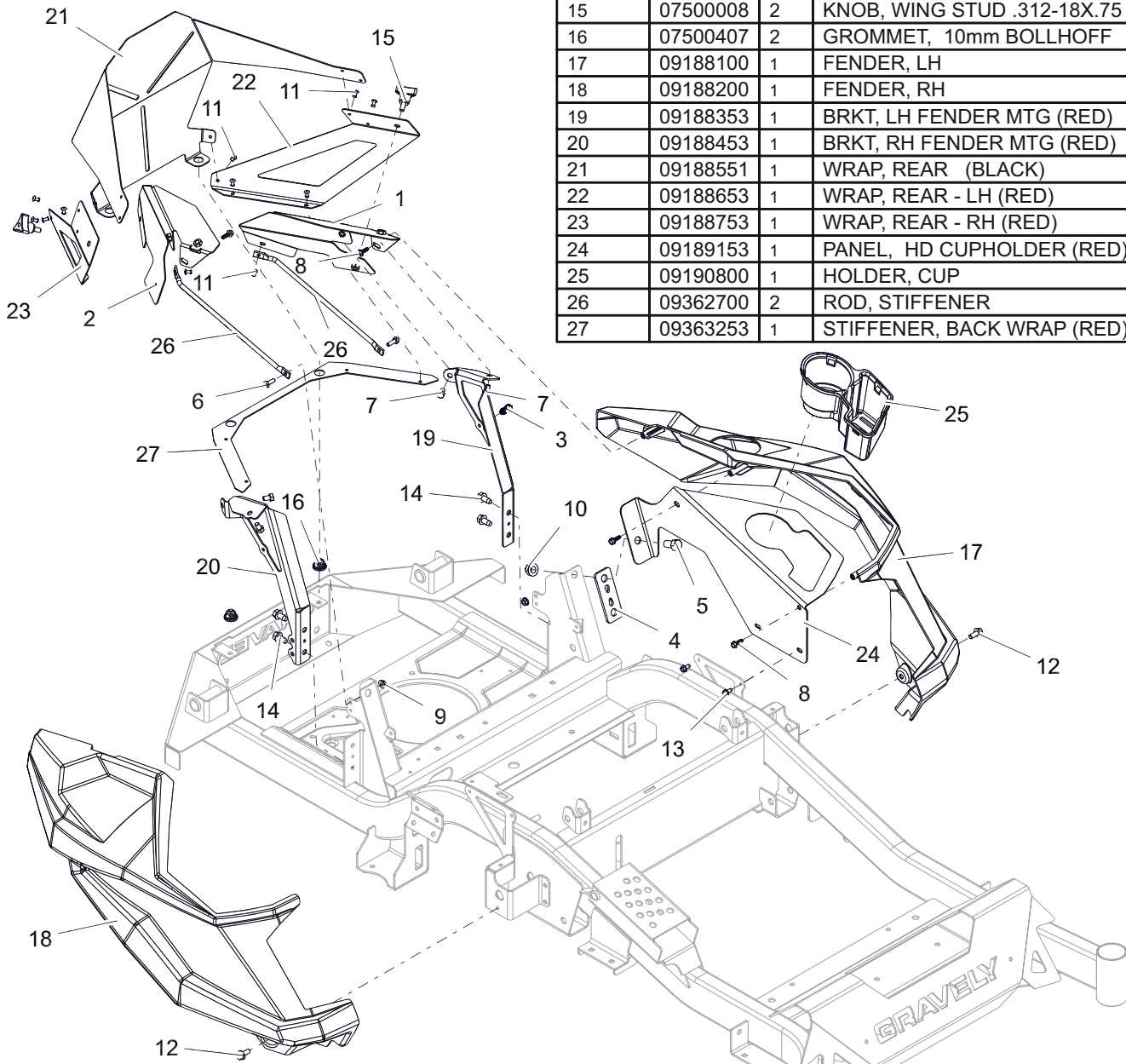


BOM ID	Number	Qty	Description
1	05015251	1	WLDMT, ADJUSTABLE SEAT LATCH
2	05265451	1	WLDMT, ISO MTG PLATE (BLACK)
3	04396600	1	GRIP, SEAT LEVER
4	05133553	1	PLATE, SEAT MOUNTING (ISO KIT) (RED)
5	05265551	1	GUARD, SEAT FAN (SH)(BLACK)
6	05500901	2	BUSHING FLANGED .516 X .750 X .625 X .937
7	05901832	8	BLT, HEX 0.3125-18X0.625 GR5 ZCC
8	06200233	2	BTL,RHSN .313-18 X 1.5 G5 ZCC
9	06200323	4	BTL,RHSSN .375-16 X 2 G5 ZCC
10	06401108	2	WSHR-FL-STL 0.406X1X0.188 ZCC
11	06401115	2	WSHR-FL-STL 0.531X1X0.063 ZCC
12	06401221	4	WSHR-FL-STL 0.406X2X0.125 ZCC
13	06500828	2	NUT, COUPLING 5/16-18 X 3.75
14	06500840	8	NUT, FLG-CTR LK .312-18 GR5 ZCC
15	06500901	4	NUT, FLG-CTR LK .375-16 GR5 ZC120
16	06514900	1	NUT, PUSH .312
17	06800120	2	RVT, POP .187x.250 AL/AL
18	06800202	2	PIN, SLIC-.500X42.70X2.31 -ZC
19	07001929	4	BLT, SHLDR .31-18 X .175
20	07500237	4	MOUNT, FAIL-SAFE COMPRESSION
21	08300022	1	SPRG, EXTENSION
22	08300704	2	SPRG, COMPRESSION
23	09190900	1	SEAT, HD
24	09363451	1	PLATE, ADJ SEAT SLIDE (BLACK)
25	09363551	1	PLATE, SEAT ADJ (BLACK)

ENGINE GUARD AND FENDERS

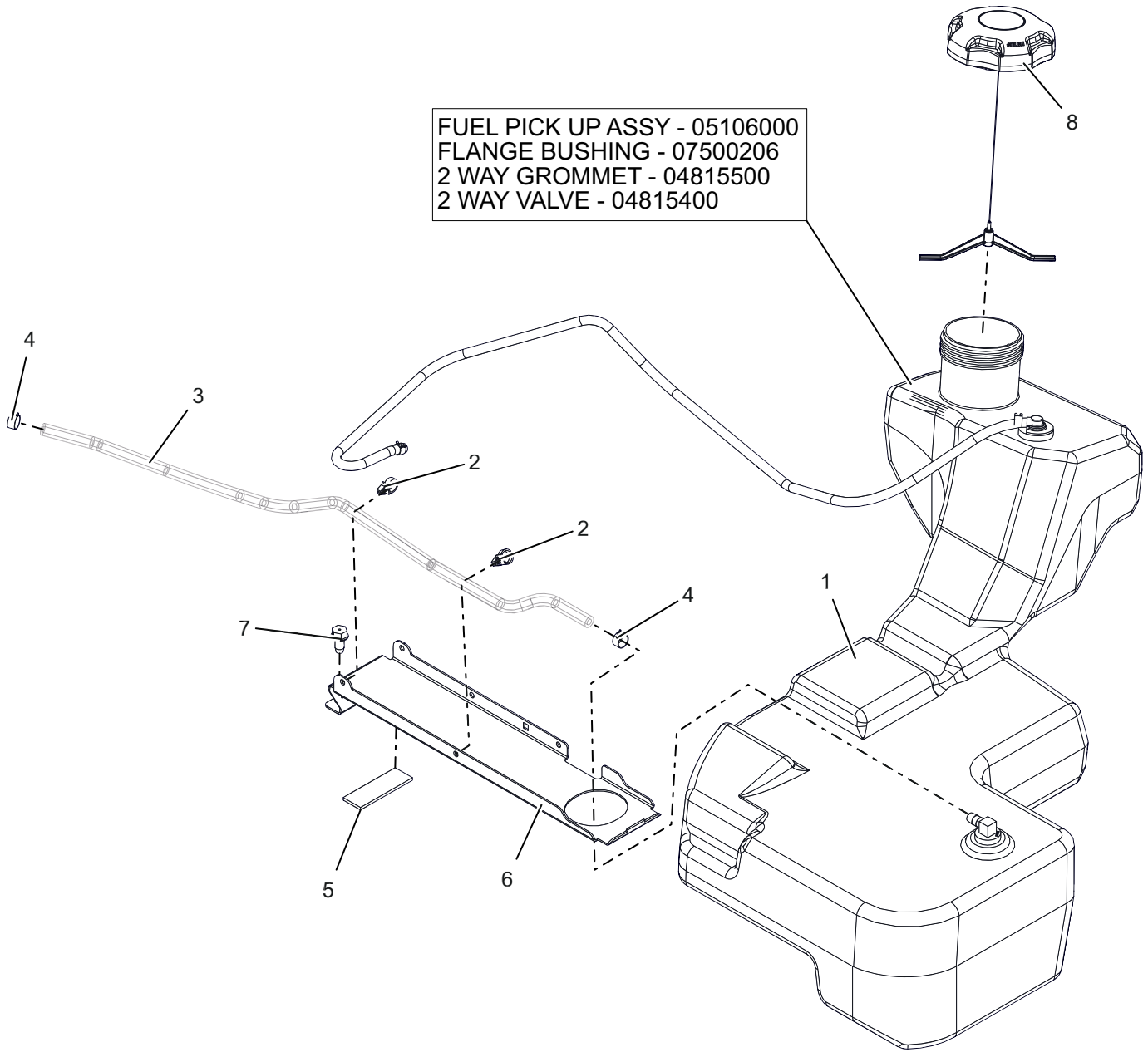
Model All

BOM ID	Number	Qty	Description
1	09188853	1	PANEL, LH (RED)
2	09188953	1	PANEL, RH (RED)
3	04451600	1	CLIP, CABLE GUIDE
4	05117453	1	PLATE, SPCR
5	05901715	1	BLT, HEX 0.5-13X1 GR5 ZC120
6	05901716	2	BLT, HEX 0.25-20X0.75 GR5 ZC120
7	05901904	4	BLT, HEX 0.3125-18X0.5 GR5 ZCC
8	06100231	4	SCR, PLASTITE-HWH 0.25 X 0.75 ZC120
9	06500821	2	NUT, FLG-CTR LK .250-20 GR5 ZC120
10	06500907	1	NUT, FLG-TOP LK .500-13 GF ZCC
11	06800107	12	RVT-POP .187x.375 (#66) BLACK
12	07001820	2	BLT, SERHFWH 0.312-18X0.75 GR5 ZCC
13	07400122	2	SCR-TAP .25-20X.50 HWH ZCC
14	07400129	4	SCR-TAP .38-16X.75 HWH ZCC
15	07500008	2	KNOB, WING STUD .312-18X.75
16	07500407	2	GROMMET, 10mm BOLLHOFF
17	09188100	1	FENDER, LH
18	09188200	1	FENDER, RH
19	09188353	1	BRKT, LH FENDER MTG (RED)
20	09188453	1	BRKT, RH FENDER MTG (RED)
21	09188551	1	WRAP, REAR (BLACK)
22	09188653	1	WRAP, REAR - LH (RED)
23	09188753	1	WRAP, REAR - RH (RED)
24	09189153	1	PANEL, HD CUPHOLDER (RED)
25	09190800	1	HOLDER, CUP
26	09362700	2	ROD, STIFFENER
27	09363253	1	STIFFENER, BACK WRAP (RED)



FUEL SYSTEM – KAWASAKI

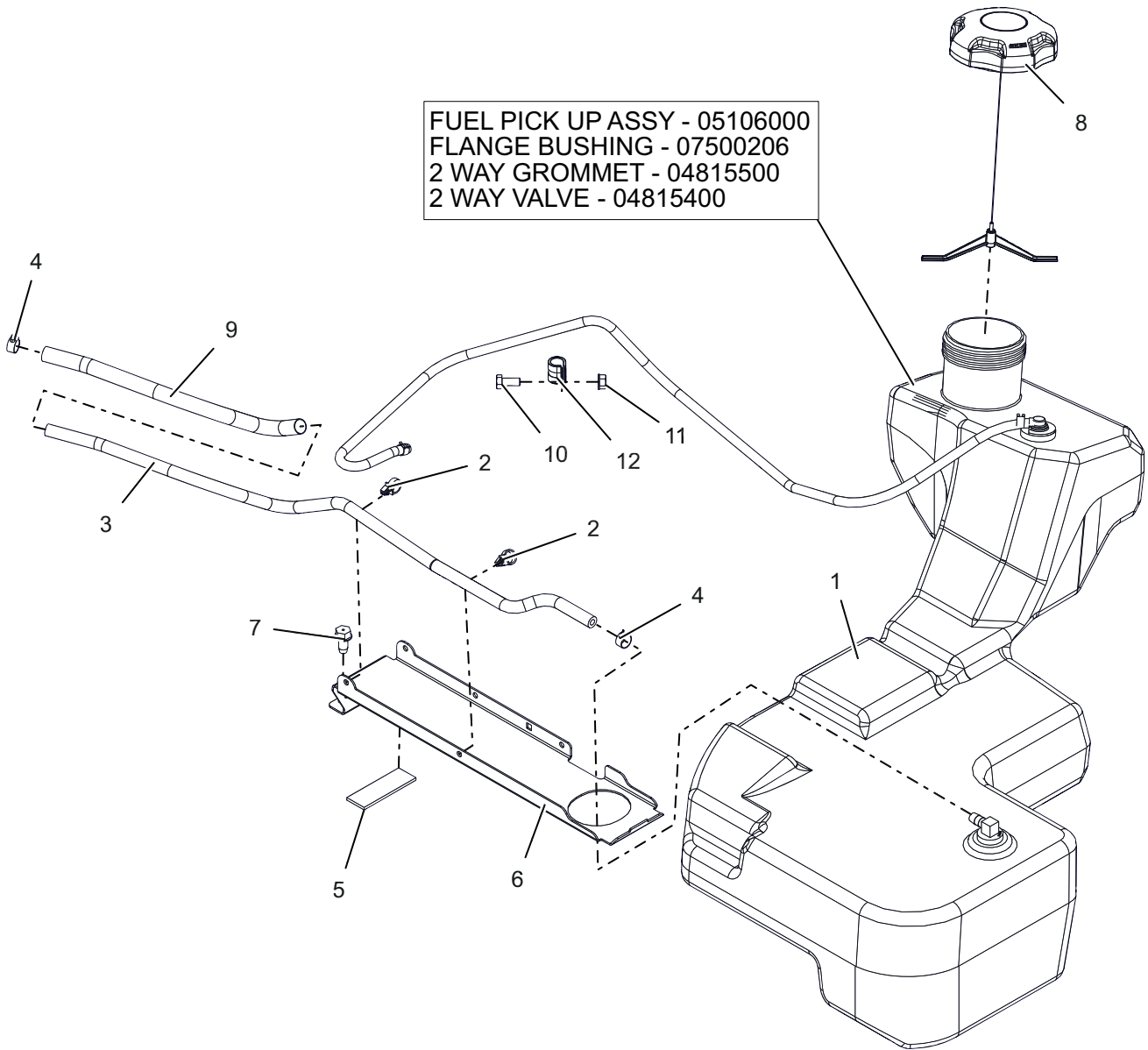
Model 991266, 268, 270, 272



BOM ID	Number	Qty	Description
1	09167300	1	ASM, FUEL TANK-HD
2	00367900	2	CLIP, ROUTING (.50 ID)
3	03278100	1	HOSE, .25 LOW PERM FUEL-27" LG.
4	03278800	2	CLAMP, FUEL LINE
5	04850000	1	PAD, RBR 1.0"X3.0" W/ADHESIVE
6	05024151	1	BRKT, FUEL TANK HOLD DOWN (BLACK)
7	07400129	1	SCR-TAP .38-16X.75 HWH ZCC
8	09190300	1	CAP, FUEL - 3.50 RATCHET INLET VENT

FUEL SYSTEM – KOHLER

Model 991274, 276, 278

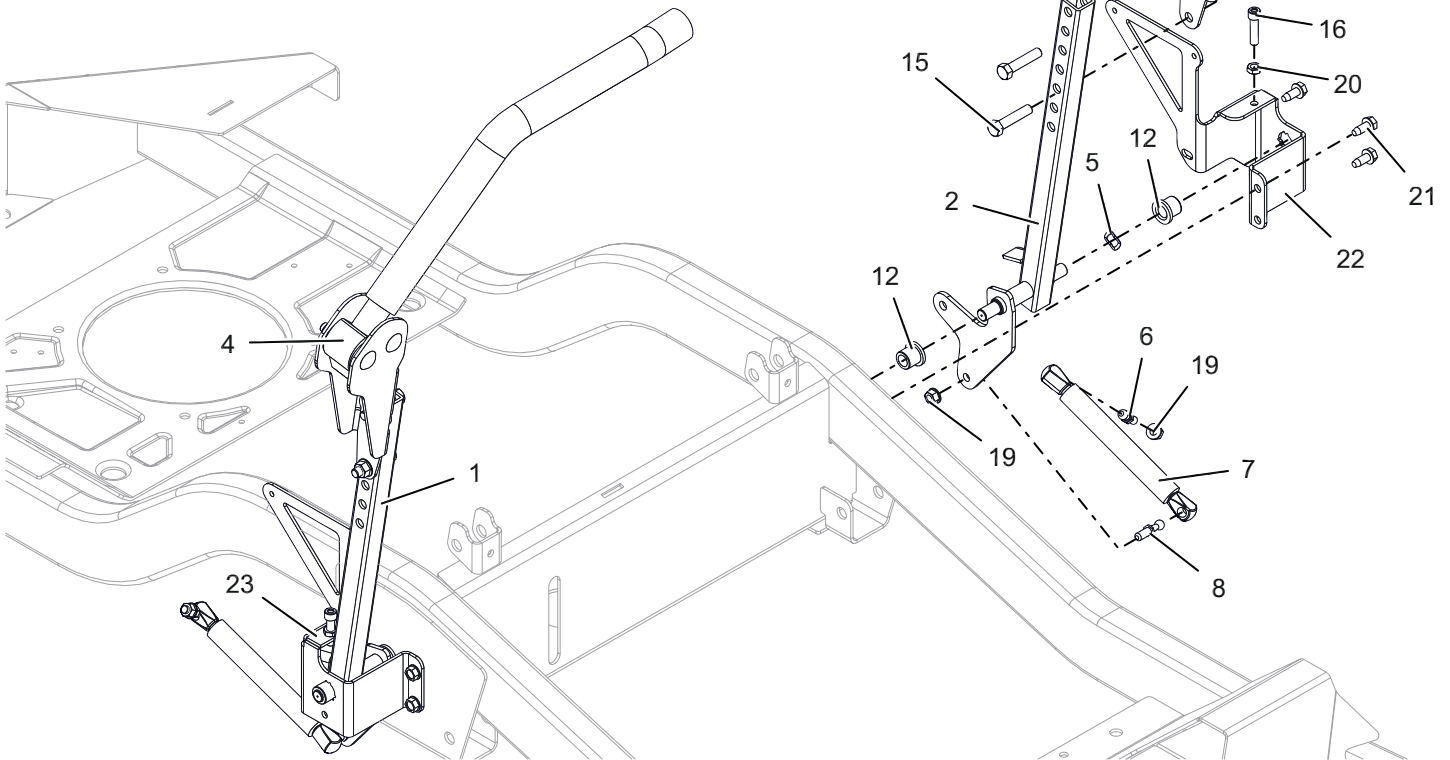


BOM ID	Number	Qty	Description
1	09167300	1	ASM, FUEL TANK-HD
2	00367900	2	CLIP, ROUTING (.50 ID)
3	03278100	1	HOSE, .25 LOW PERM FUEL-27" LG.
4	03278800	2	CLAMP, FUEL LINE
5	04850000	1	PAD, RBR 1.0"X3.0" W/ADHESIVE
6	05024151	1	BRKT, FUEL TANK HOLD DOWN (BLACK)
7	07400129	1	SCR-TAP .38-16X.75 HWH ZCC
8	09190300	1	CAP, FUEL - 3.50 RATCHET INLET VENT
9	05133700	1	SLEEVE, THERMAL 12"
10	05901704	1	BLT, HEX 0.3125-18X0.75 GR5 ZC120
11	06500840	1	NUT, FLG-CTR LK .312-18 GR5 ZCC
12	06908200	1	CLAMP, CUSHIONED STEEL

CONTROLS

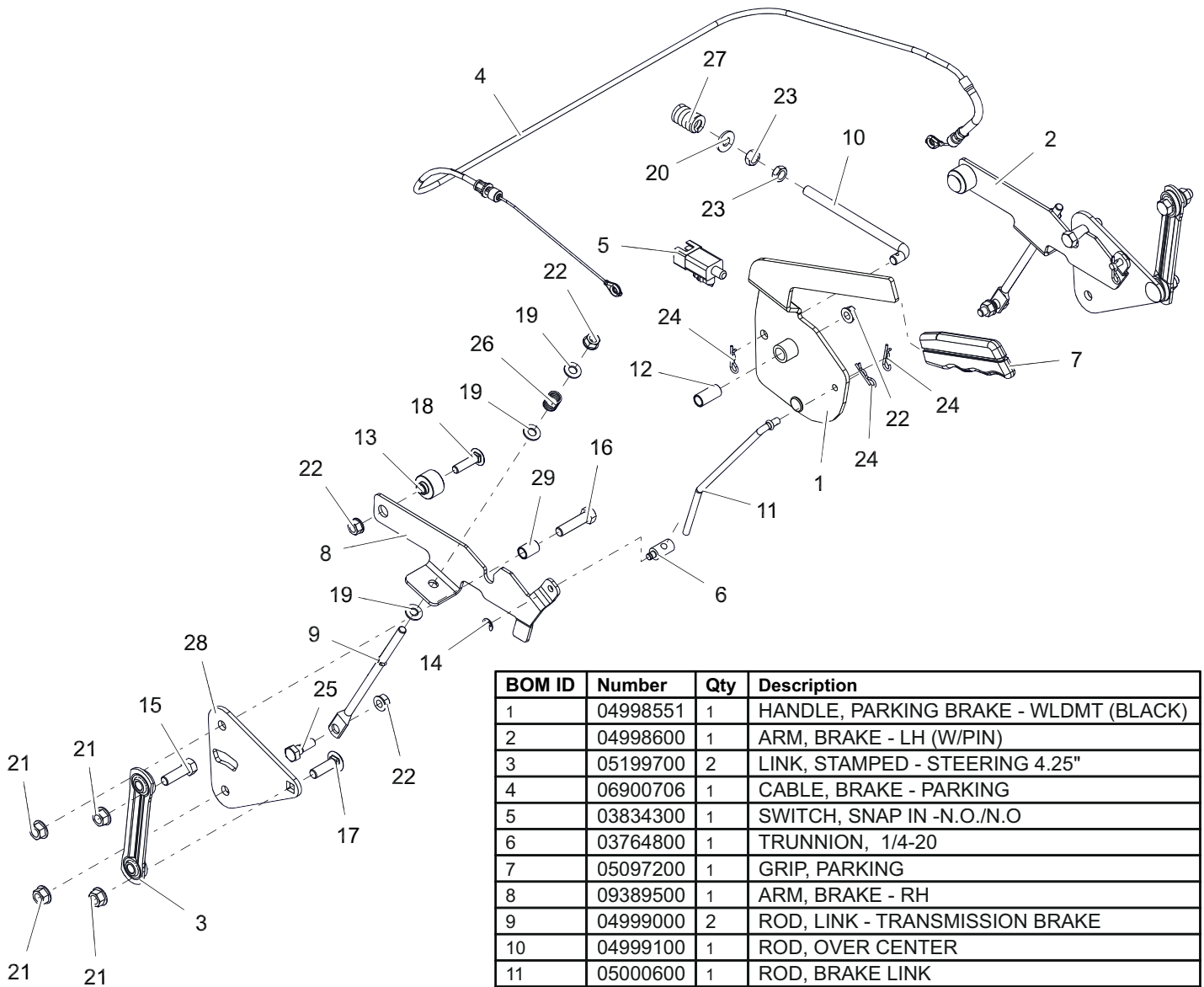
Model All

BOM ID	Number	Qty	Description
1	05243953	1	WLDMT, STEERING RH (RED)
2	05244053	1	WLDMT, STEERING -LH (RED)
3	05261853	1	WLDMT, CONTROL HANDLE-LH (RED)
4	05262153	1	WLDMT, CONTROL HANDLE-RH (RED)
5	00325400	2	WAVE WASHER .531X.781X.125 FH
6	03652200	2	STUD-BALL
7	03769800	2	DAMPER, STEERING
8	04097100	2	STUD, BALL THREADED
9	04383600	2	GRIP, HANDLEBAR
10	04413600	2	SPCR, STEERING ARM
11	05068753	2	BRKT, ADJ UPPER CONTROL ARM (RED)
12	05501001	4	BSHG, FLANGE .500X.750X.750X.125
13	05501223	2	BSHG, ECCENTRIC .328 X .750 X 1.625
14	05525200	4	BSHG, FLANGE .762 X 1.48 X .44 NYLON
15	05901809	4	BLT, HEX 0.375-16X1.75 GR5 ZCC
16	05901826	2	SCR, SKH .312-18X1.25 GR8 ZC120
17	06200315	4	BTL,RHSSN .375-16 X 2.5 G5 ZCC
18	06500822	8	NUT, FLG-TOP LK .375-16 GRF ZC120
19	06500840	4	NUT, FLG-CTR LK .312-18 GR5 ZCC
20	06500909	2	NUT, JAM .312-18 GR5 ZCC
21	07400127	6	SCR-TAP .312-18X.75 HWH ZCC
22	09189953	1	BRKT, STEERING ARM MOUNTING -LH (RED)
23	09190053	1	BRKT, STEERING ARM MOUNTING- RH (RED)



PARKING BRAKE

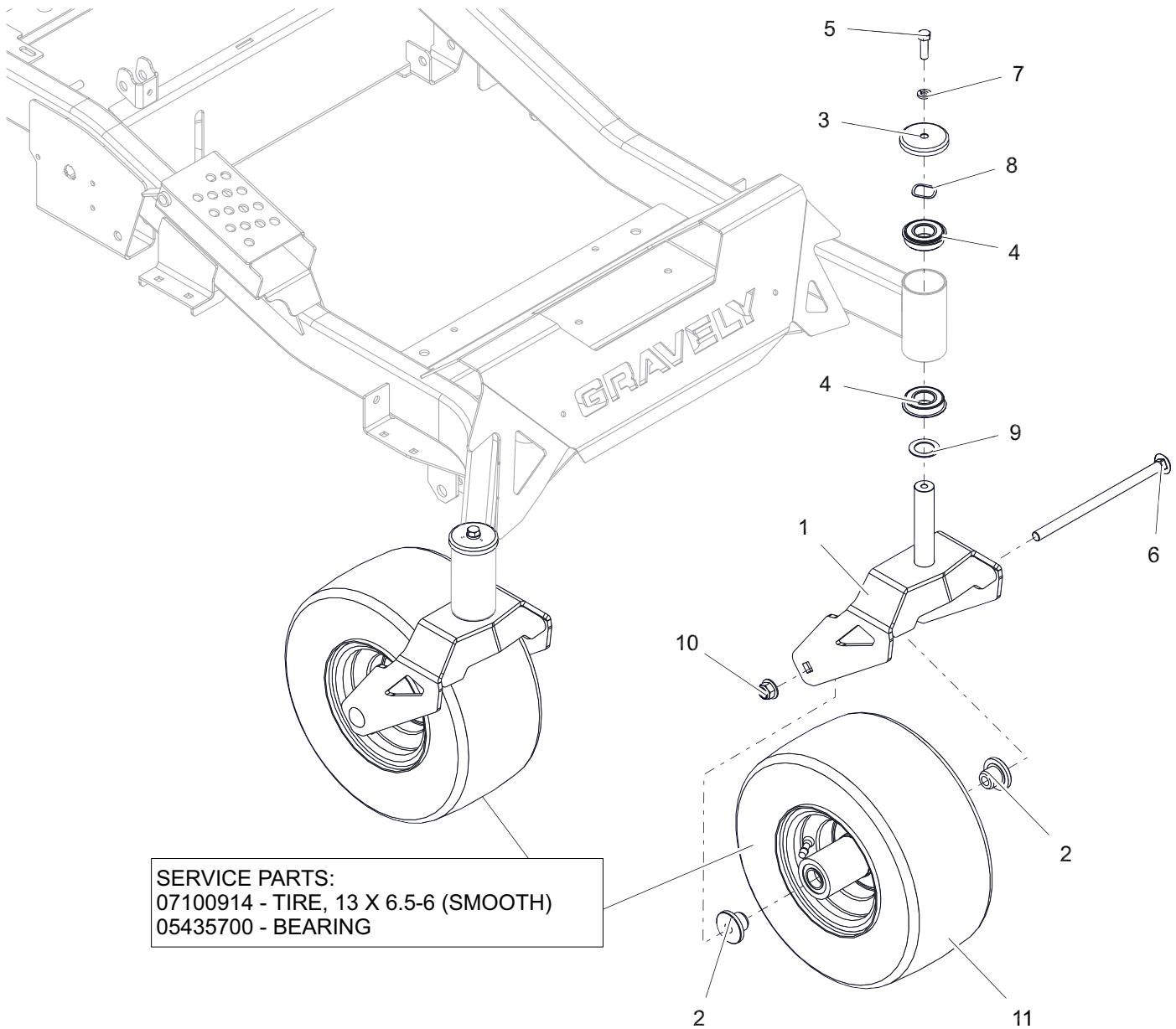
Model All



BOM ID	Number	Qty	Description
1	04998551	1	HANDLE, PARKING BRAKE - WLDMT (BLACK)
2	04998600	1	ARM, BRAKE - LH (W/PIN)
3	05199700	2	LINK, STAMPED - STEERING 4.25"
4	06900706	1	CABLE, BRAKE - PARKING
5	03834300	1	SWITCH, SNAP IN -N.O./N.O
6	03764800	1	TRUNNION, 1/4-20
7	05097200	1	GRIP, PARKING
8	09389500	1	ARM, BRAKE - RH
9	04999000	2	ROD, LINK - TRANSMISSION BRAKE
10	04999100	1	ROD, OVER CENTER
11	05000600	1	ROD, BRAKE LINK
12	05500106	1	SPACER SLEEVED .385 X .500 X 1.045
13	05501315	2	BUSHING FLANGED
14	05700125	1	RING, RETAINING-E .25X.025
15	05901724	2	BLT, HEX 0.375-16X1.25 GR5 ZC120
16	05901928	2	BLT, HEX 0.375-16X1.5 GR5 ZCC
17	06200236	2	BTL,RHSSN .375-16 X 1.25 G5 ZCC
18	06200310	2	BTL,RHSSN .313-18 X 1.25 G5 ZCC
19	06401017	6	WSHR-FL-STL 0.344X0.688X0.065 ZC120
20	06401023	1	WSHR-FL-STL 0.375X0.875X0.083 ZC120
21	06500822	8	NUT, FLG-TOP LK .375-16 GRF ZC120
22	06500904	7	NUT, FLG-TOP LK .312-18 GR5 ZCC
23	06500910	2	NUT-JAM .375-16 GR2 ZCC
24	06700222	4	PIN, HAIR #213 .08X1.19 ZCC
25	07001734	2	BLT, SHLDR .38X.25 -.31-18X.75THD
26	08300028	2	SPRG, COMPRESSION
27	08320900	1	SPRG, COMPRESSION
28	09191051	2	PLATE, TRANSAXLE (BLACK)
29	09374800	2	SPACER SLV .385X.500X.718

FRONT CASTER WHEELS

Model All

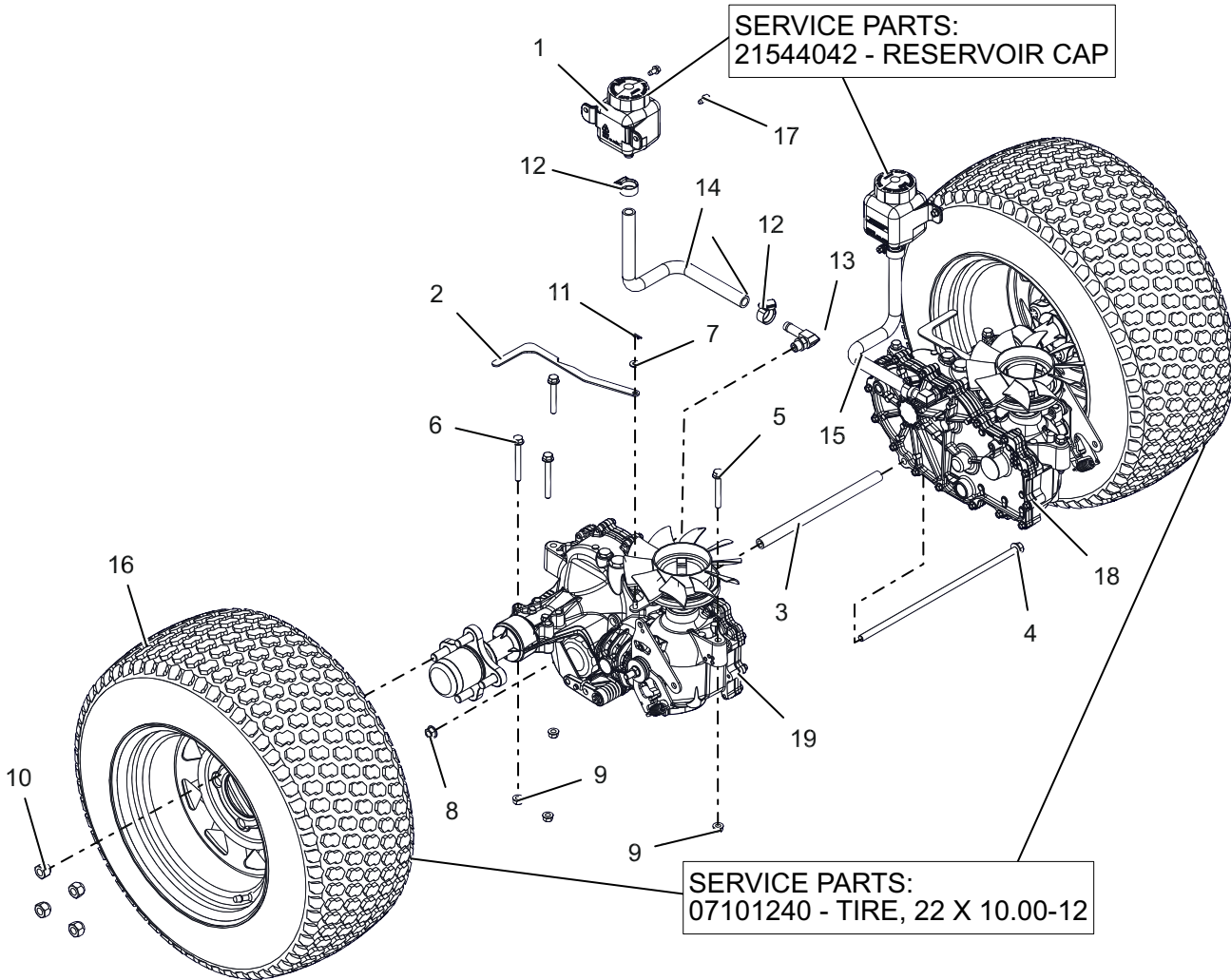


SERVICE PARTS:
 07100914 - TIRE, 13 X 6.5-6 (SMOOTH)
 05435700 - BEARING

BOM ID	Number	Qty	Description
1	09187053	2	WLDMT, CASTER FORK-HD (RED)
2	00675300	4	SPACER, FRONT WHEEL
3	05198400	2	SHIELD, AXLE BEARING
4	05400728	4	BEARING, BALL -2.000 OD X 1.000 ID X .5625 W/RING
5	05901724	2	BLT, HEX 0.375-16X1.25 GR5 ZC120
6	06200322	2	BTL,RHSN .500-13 X 9 G5 ZCC
7	06300120	2	WSHR,LK-HVY 0.377 X 0.115 ZCC
8	06401030	2	WASHER, WAVE
9	06416600	2	WSHR, HRD THRS 1.007X1.542X.062
10	06500810	2	NUT, LK-NYL-FLG .50-13 GR5 ZC120
11	07101226	2	ASSM TIRE\WHEEL, 13 X 6.50-6

REAR TIRES AND TRANSAXLES – 44" AND 48"

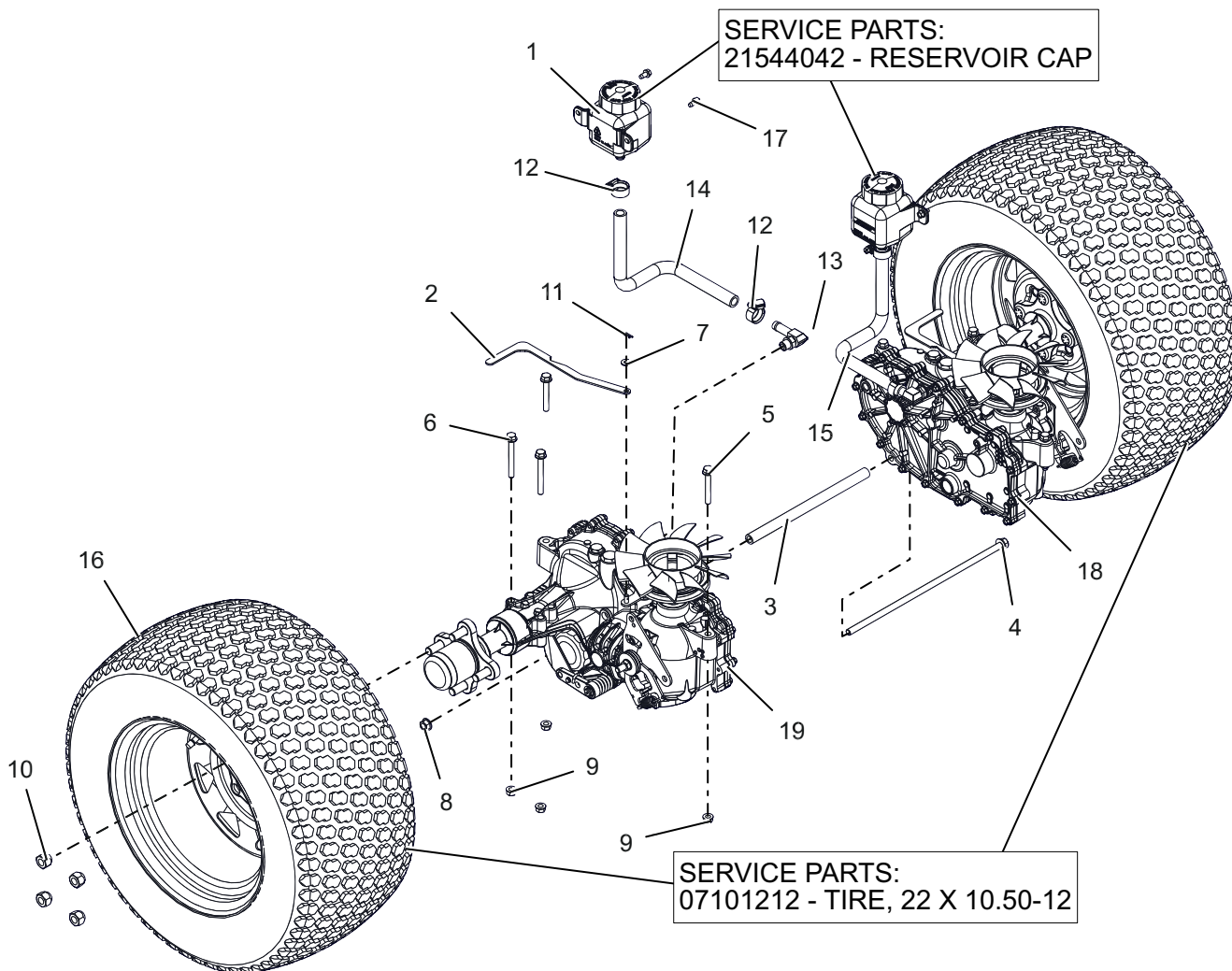
Model 991266, 268, 274



BOM ID	Number	Qty	Description
1	02970200	2	TANK, EXPANSION
2	05076751	2	BRKT, VALVE DUMP
3	05196451	1	SPCR, TRANSAXLE .406 ID X .630 OD X 9.95LG (BLACK)
4	05901903	1	BLT, HEX-FLG 0.375-16X13 GR5 ZC120
5	05901910	4	BLT, HEX-FLG 0.312-18X2.25 GR5 ZCC
6	05901911	4	BLT, HEX-FLG 0.312-18X2.75 GR5 ZCC
7	06401001	2	WSHR-FL-STL 0.281X0.625X0.065 ZC120
8	06500822	1	NUT, FLG-TOP LK .375-16 GRF ZC120
9	06500840	8	NUT, FLG-CTR LK .312-18 GR5 ZCC
10	06500926	8	NUT, WHEEL .500-20 ZCC
11	06700223	2	PIN, HAIR #225 .072X1.09
12	06923500	4	CLAMP, HOSE - .88 DIA
13	07001528	2	FITTING, HYD (90 DEG)
14	07001803	1	HOSE, EXPANSION - HD RH
15	07001804	1	HOSE, EXPANSION TANK -HD LH
16	07101224	2	ASSM TIREWHEEL, 22 X 10.00 - 12
17	07400122	4	SCR-TAP .25-20X.50 HWH ZCC
18	09360000	1	TRANSAXLE, ZT3100 - LH
19	09360100	1	TRANSAXLE, ZT3100 - RH

REAR TIRES AND TRANSAXLES – 52"

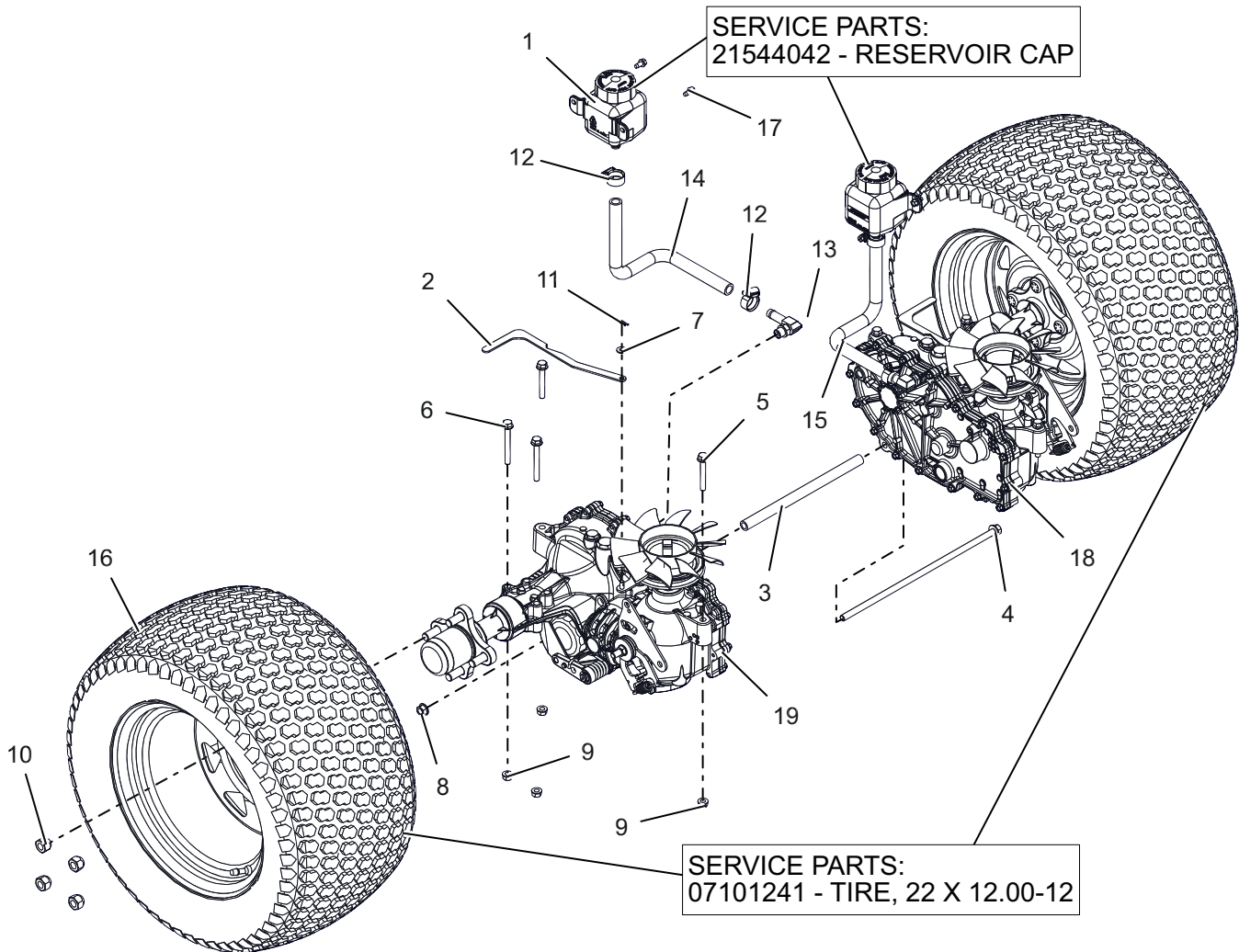
Model 991270, 276



BOM ID	Number	Qty	Description
1	02970200	2	TANK, EXPANSION
2	05076751	2	BRKT, VALVE DUMP
3	05196451	1	SPCR, TRANSAXLE .406 ID X .630 OD X 9.95LG (BLACK)
4	05901903	1	BLT, HEX-FLG 0.375-16X13 GR5 ZC120
5	05901910	4	BLT, HEX-FLG 0.312-18X2.25 GR5 ZCC
6	05901911	4	BLT, HEX-FLG 0.312-18X2.75 GR5 ZCC
7	06401001	2	WSHR-FL-STL 0.281X0.625X0.065 ZC120
8	06500822	1	NUT, FLG-TOP LK .375-16 GRF ZC120
9	06500840	8	NUT, FLG-CTR LK .312-18 GR5 ZCC
10	06500926	8	NUT, WHEEL .500-20 ZCC
11	06700223	2	PIN, HAIR #225 .072X1.09
12	06923500	4	CLAMP, HOSE - .88 DIA
13	07001528	2	FITTING, HYD (90 DEG)
14	07001803	1	HOSE, EXPANSION - HD RH
15	07001804	1	HOSE, EXPANSION TANK -HD LH
16	07101211	2	ASSM TIREWHEEL, 22 X 10.50 - 12
17	07400122	4	SCR-TAP .25-20X.50 HWH ZCC
18	09360000	1	TRANSAXLE, ZT3100 - LH
19	09360100	1	TRANSAXLE, ZT3100 - RH

REAR TIRES AND TRANSAXLES – 60"

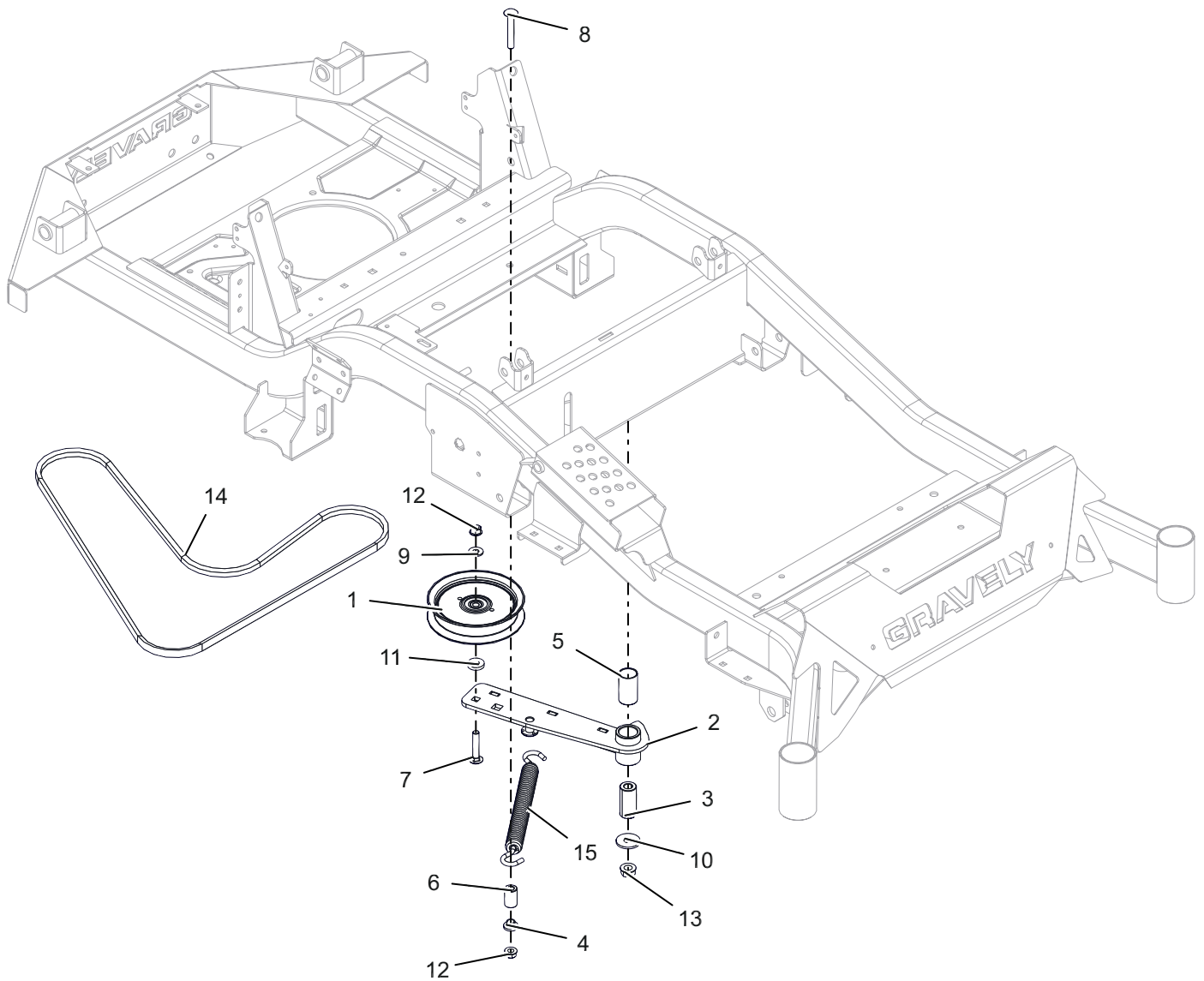
Model 991272, 278



BOM ID	Number	Qty	Description
1	02970200	2	TANK, EXPANSION
2	05076751	2	BRKT, VALVE DUMP
3	05196451	1	SPCR, TRANSAXLE .406 ID X .630 OD X 9.95LG (BLACK)
4	05901903	1	BLT, HEX-FLG 0.375-16X13 GR5 ZC120
5	05901910	4	BLT, HEX-FLG 0.312-18X2.25 GR5 ZCC
6	05901911	4	BLT, HEX-FLG 0.312-18X2.75 GR5 ZCC
7	06401001	2	WSHR-FL-STL 0.281X0.625X0.065 ZC120
8	06500822	1	NUT, FLG-TOP LK .375-16 GRF ZC120
9	06500840	8	NUT, FLG-CTR LK .312-18 GR5 ZCC
10	06500926	8	NUT, WHEEL .500-20 ZCC
11	06700223	2	PIN, HAIR #225 .072X1.09
12	06923500	4	CLAMP, HOSE - .88 DIA
13	07001528	2	FITTING, HYD (90 DEG)
14	07001803	1	HOSE, EXPANSION - HD RH
15	07001804	1	HOSE, EXPANSION TANK -HD LH
16	07101227	2	ASSM TIREWHEEL, 22 X 12.00 - 12
17	07400122	4	SCR-TAP .25-20X.50 HWH ZCC
18	09360000	1	TRANSAXLE, ZT3100 - LH
19	09360100	1	TRANSAXLE, ZT3100 - RH

TRANSAXLE DRIVE

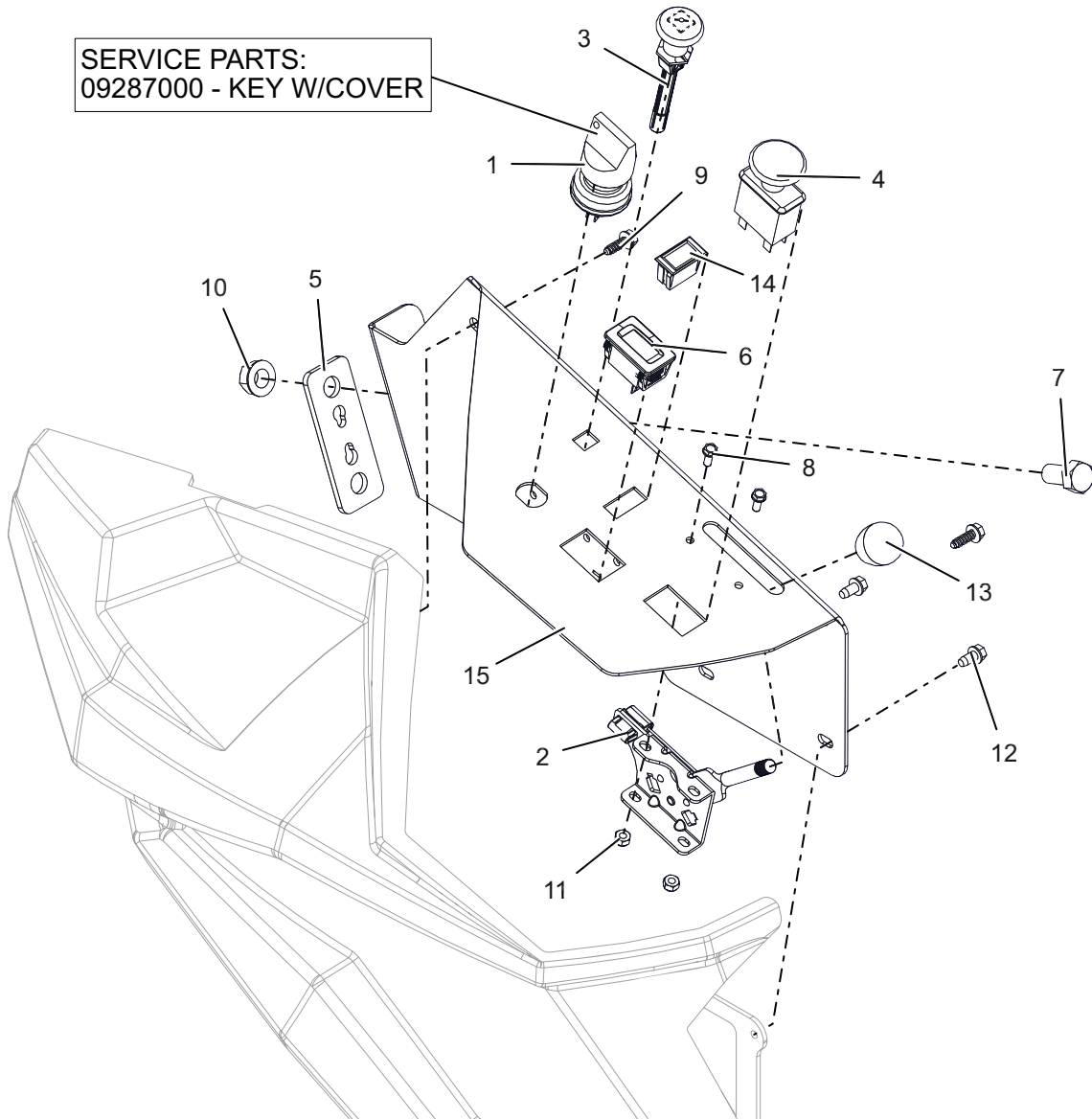
Model All



BOM ID	Number	Qty	Description
1	07345600	1	IDLER, FLAT
2	59116700	1	ASM, HYDRO IDLER ARM W/ BUSHING
3	01581700	1	BSHG, SPCR .502X.997X2.03
4	05500435	1	BSHG, FLG .385 X .500 X .875 X .406
5	05501234	1	BSHG, 1.00x1.125x1.9375
6	05501308	1	BUSHING, SLV .380 X .750 X 1.190
7	06200314	1	BTL,RHSN .375-16 X 2 G5 ZCC
8	06200315	1	BTL,RHSSN .375-16 X 2.5 G5 ZCC
9	06401023	1	WSHR-FL-STL 0.375X0.875X0.083 ZC120
10	06401022	1	WSHR-FL-STL 0.511X1.44X0.125 ZCC
11	06401108	1	WSHR-FL-STL 0.406X1X0.188 ZCC
12	06500822	2	NUT, FLG-TOP LK .375-16 GRF ZC120
13	06500907	1	NUT, FLG-TOP LK .500-13 GF ZCC
14	07225600	1	V-BELT, 4L-WRAPPED
15	08300711	1	SPRG, EXTENSION - SWIVEL

CONTROL PANEL

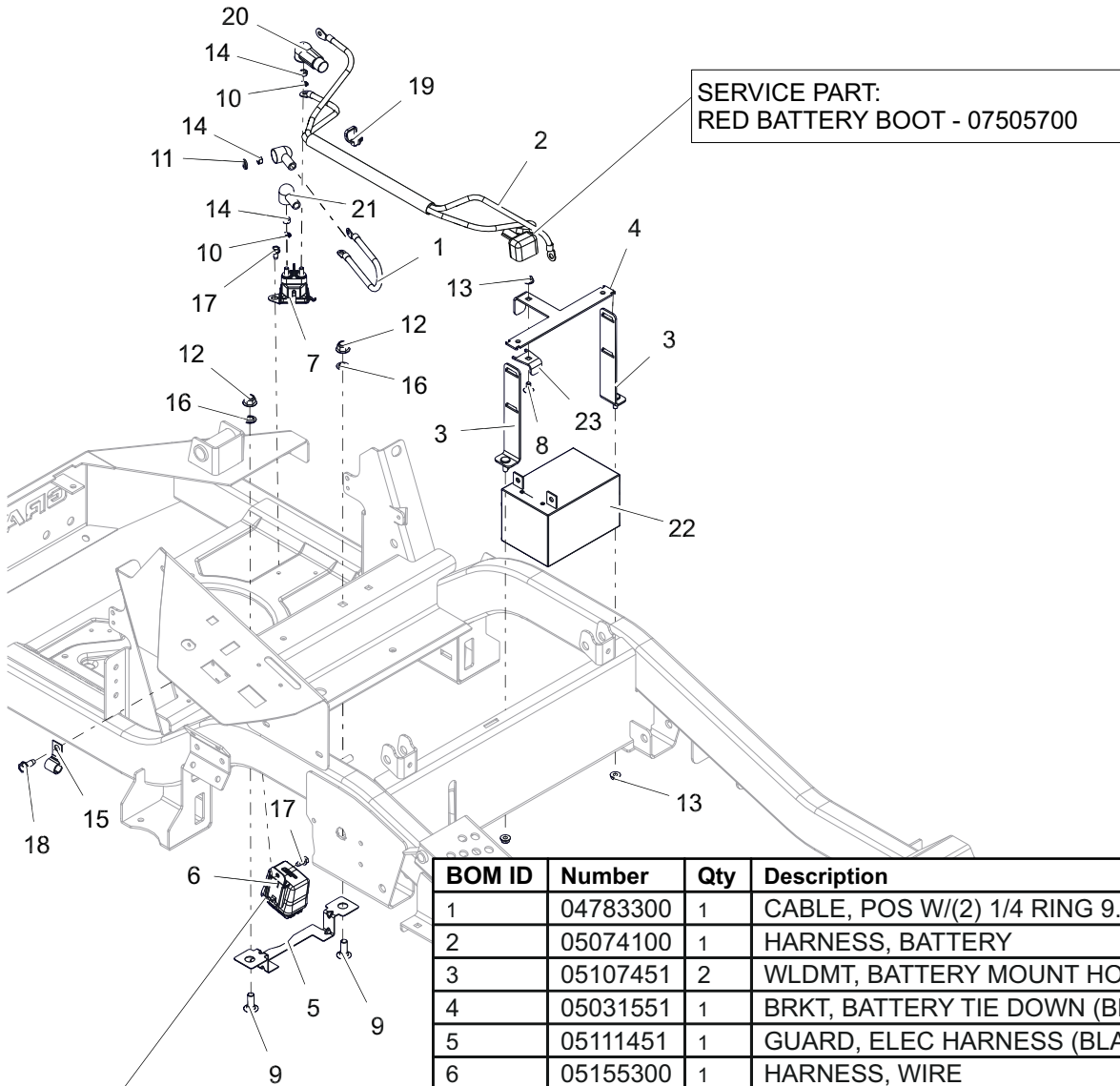
Model All



BOM ID	Number	Qty	Description
1	04331600	1	SWITCH, IGNITION
2	06900619	1	CABLE, PRO THROTTLE CONTROL
3	06900621	1	CABLE, CHOKE
4	01545600	1	SWITCH, CLUTCH
5	05117453	1	PLATE, SPCR
6	05254800	1	HOUR METER
7	05901715	1	BLT, HEX 0.5-13X1 GR5 ZC120
8	05901825	2	SCR-MCH 10-24X.50 HWH ZCC
9	06100231	2	SCR, PLASTITE-HWH 0.25 X 0.75 ZC120
10	06500907	1	NUT, FLG-TOP LK .500-13 GF ZCC
11	06500915	2	NUT, LK-NYL #10-24 GR5 ZC120
12	07400122	2	SCR-TAP .25-20X.50 HWH ZCC
13	07500132	1	KNOB, CONTROL BLACK .38-16X.50
14	09003300	1	SWITCH, BLANK
15	09189053	1	PANEL, HD CONTROL (RED)

ELECTRICAL

Model All

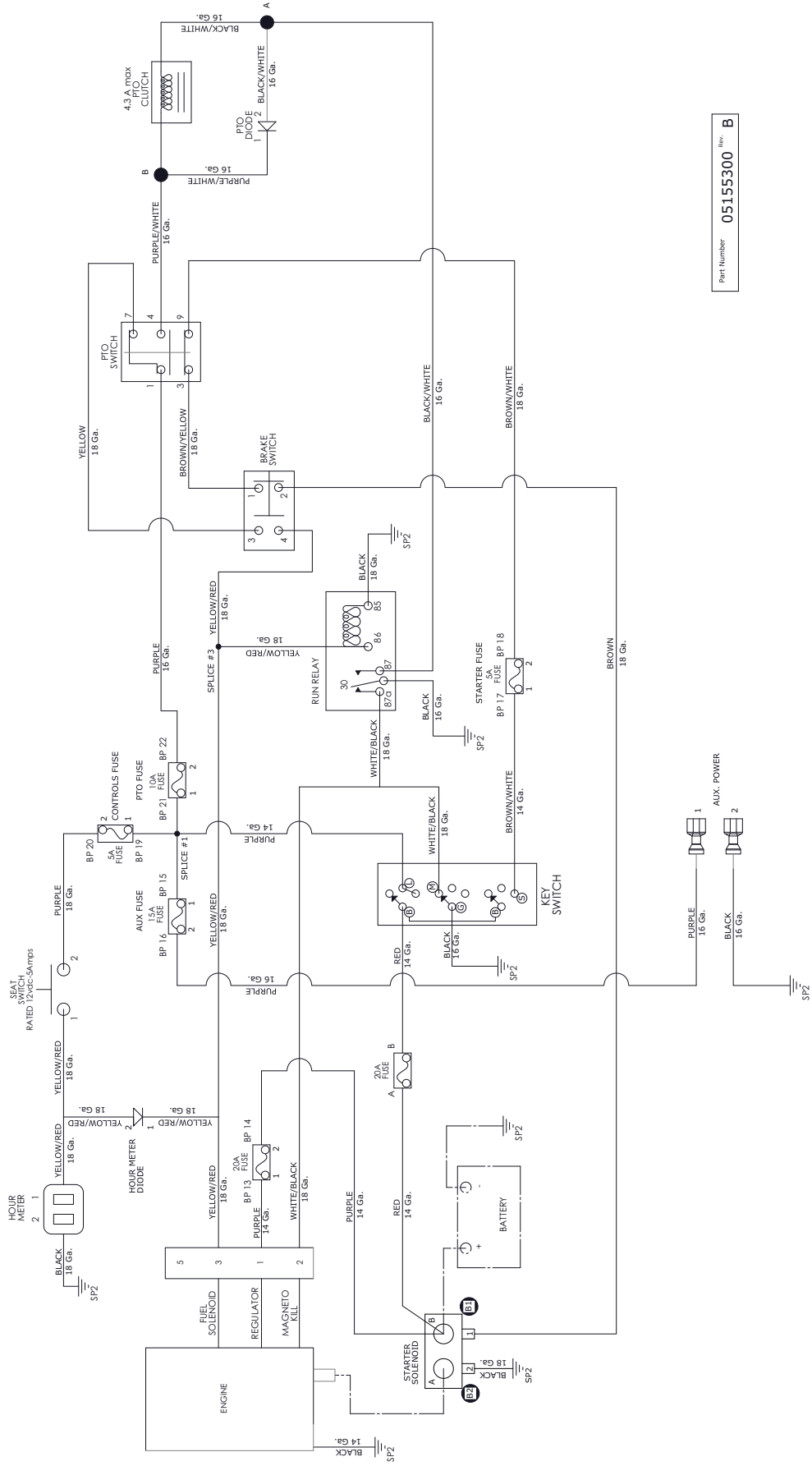


SERVICE PARTS:
 Diode - 09293501
 Fuse - 5A Mini 05076400
 Fuse - 10A Mini 04438100
 Fuse - 15A Mini 04438200
 Fuse - 20A Mini 04438300
 Relay - 00432100
 Fuse - 20A ATC 00191262

BOM ID	Number	Qty	Description
1	04783300	1	CABLE, POS W/(2) 1/4 RING 9.0 LG
2	05074100	1	HARNESS, BATTERY
3	05107451	2	WLDMT, BATTERY MOUNT HOLD DOWN (BLACK)
4	05031551	1	BRKT, BATTERY TIE DOWN (BLACK)
5	05111451	1	GUARD, ELEC HARNESS (BLACK)
6	05155300	1	HARNESS, WIRE
7	05167200	1	SOLENOID, STARTER (SEALED)
8	06200306	1	BTL,RHSN .250-20 X 0.5 G5 ZCC
9	06200313	2	BTL,RHSN .375-16 X 1 G5 ZCC
10	06300118	2	WSHR,LK-EXT 0.262X0.502X0.026 ZC120
11	06300119	1	WSHR,LK-REG 0.314 X 0.078 ZCC
12	06500726	2	NUT, LK-NYL-FLG .38-16 GR5 ZC120
13	06500903	3	NUT, FLG-TOP LK .250-20 GR5 ZC120
14	06500925	3	NUT, HEX M6-1.0 GR8.8 ZC120
15	06916000	1	J-CLAMP
16	07009900	2	NUT, PUSH .38 DIA. PAL ZINC
17	07400122	2	SCR-TAP .25-20X.50 HWH ZCC
18	07400127	1	SCR-TAP .312-18X.75 HWH ZCC
19	07500040	1	CABLE, TIE W/TREE (.25 HOLE)
20	07500401	1	BOOT, .65 ID POS
21	07533200	2	BOOT, EYELET TERMINAL
22	09425500	1	BATTERY, 12V 12A -190CCA
23	09425700	1	BRKT, BATTERY HOLD

WIRING DIAGRAM

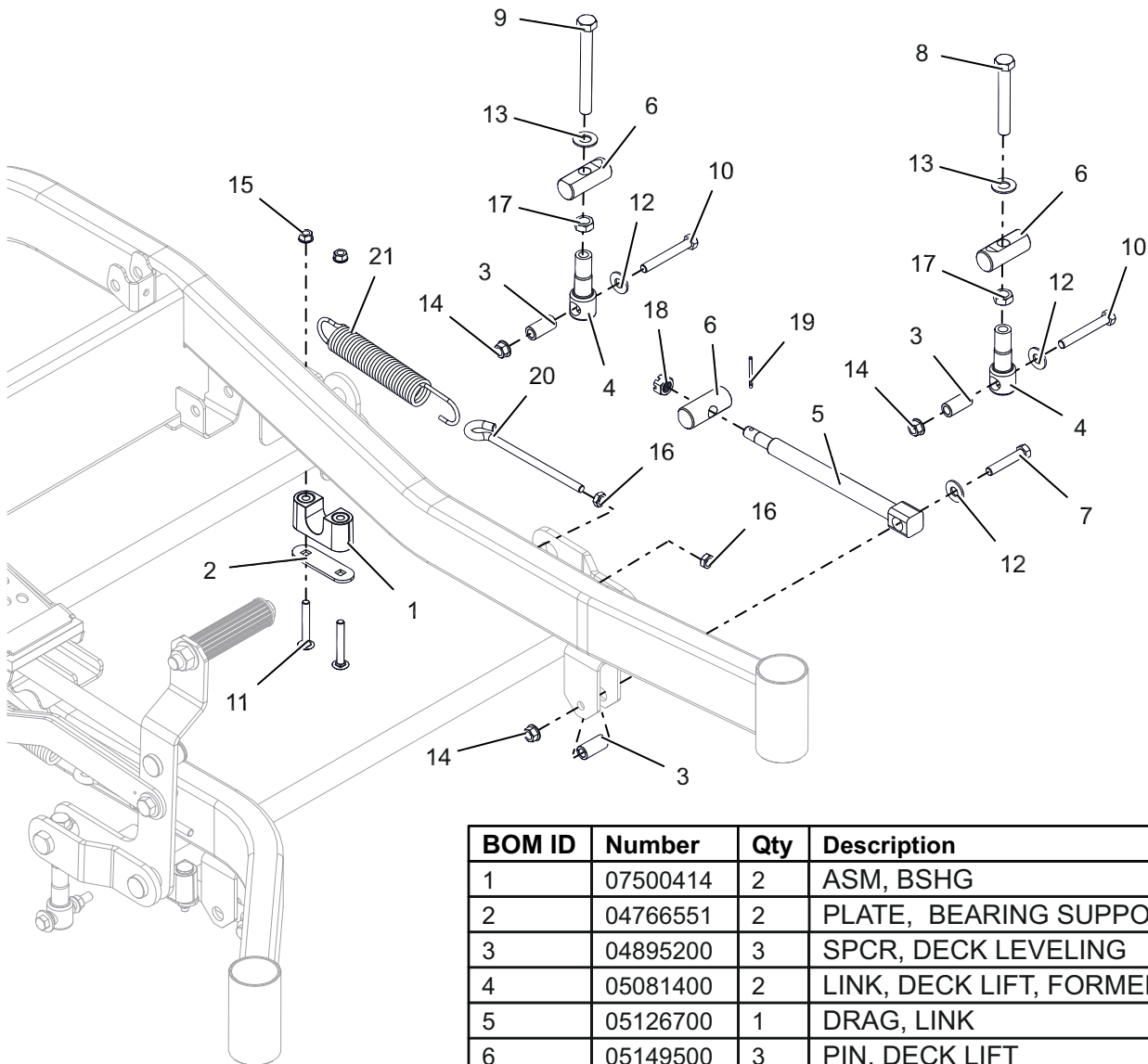
Model All



Part Number **05155300** Rev. **B**

DECK LIFT – LH

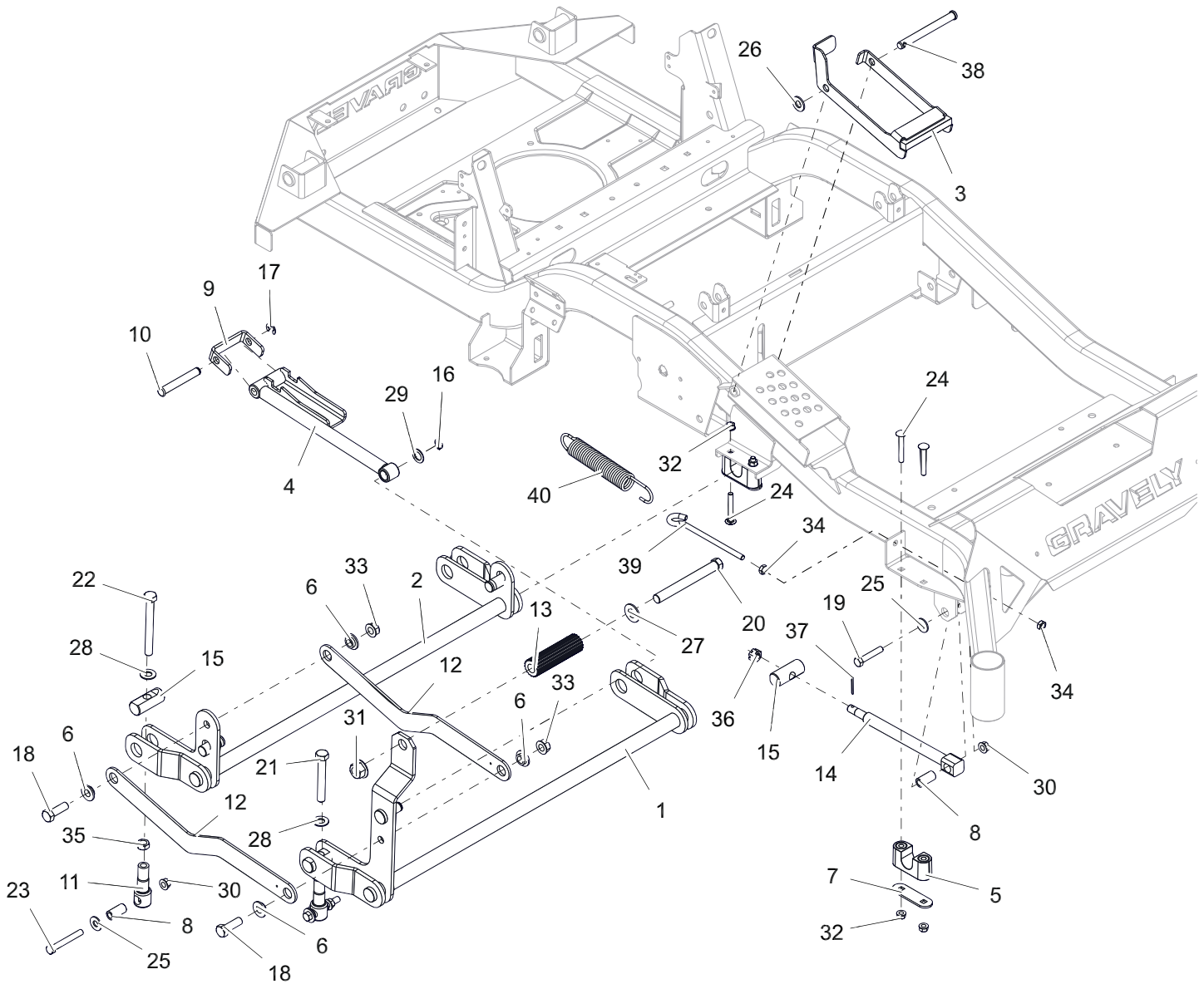
Model All



BOM ID	Number	Qty	Description
1	07500414	2	ASM, BSHG
2	04766551	2	PLATE, BEARING SUPPORT
3	04895200	3	SPCR, DECK LEVELING
4	05081400	2	LINK, DECK LIFT, FORMED
5	05126700	1	DRAG, LINK
6	05149500	3	PIN, DECK LIFT
7	05901718	1	BLT, HEX 0.375-16X2 GR5 ZC120
8	05901735	1	BLT, HEX 0.5-13X3.5F GR5 ZCC
9	05901736	1	BLT, HEX 0.5-13X4.5F GR8 ZCC
10	05901813	2	BLT, HEX 0.375-16X2.75 GR8 ZCC
11	06200311	4	BTL,RHSSN .313-18 X 2.25 G5 ZCC
12	06401008	3	WSHR-FL-STL 0.438X1X0.083 ZC120
13	06401116	2	WSHR-FL-STL 0.526X1.055X0.074 HRD
14	06500822	3	NUT, FLG-TOP LK .375-16 GRF ZC120
15	06500840	4	NUT, FLG-CTR LK .312-18 GR5 ZCC
16	06500910	2	NUT-JAM .375-16 GR2 ZCC
17	06500911	2	NUT, JAM .50-13 GR5 ZC120
18	06505000	1	NUT, -SL .50-13
19	06700212	1	PIN, CTR .12X1.25 EXTPRSQCT ZC120
20	07001814	1	BOLT, .38-16X5.25-.62 DIA EYE
21	08319000	1	SPRG, TENSION .162 X 1.250 X 8.250

DECK LIFT – RH

Model All

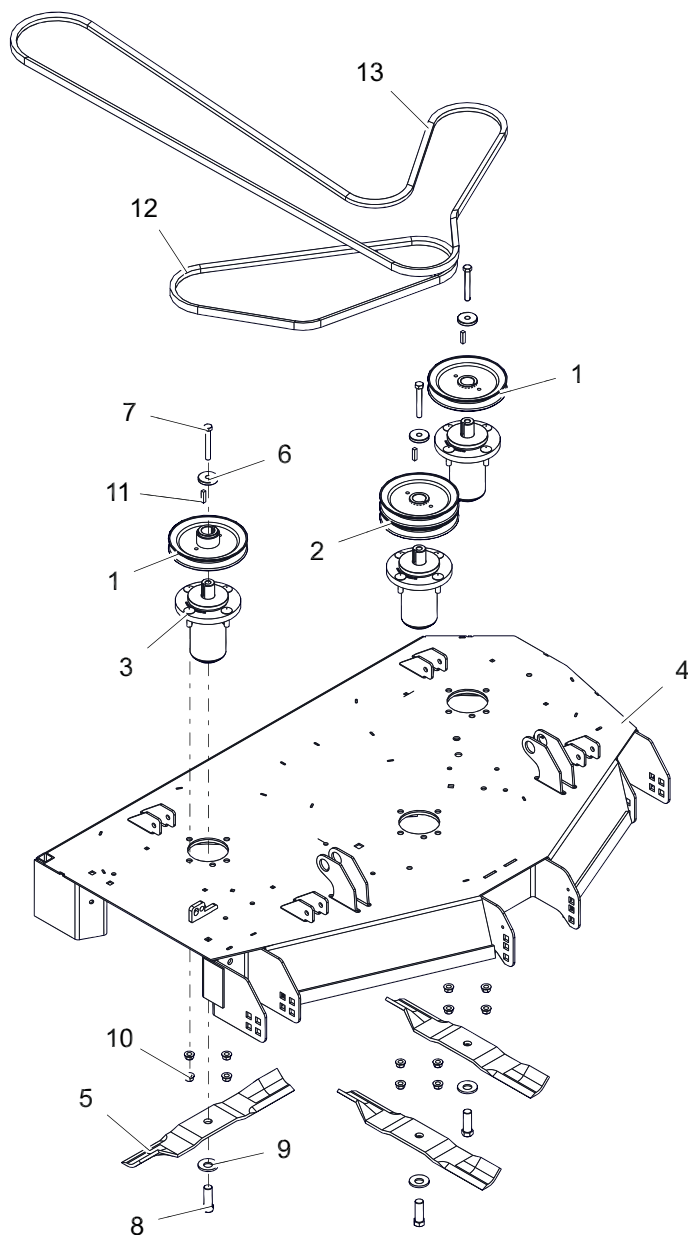


BOM ID	Number	Qty	Description
1	05019651	1	WLDMT, FRONT DECK LIFT PIVOT
2	05019751	1	WLDMT, REAR DECK LIFT PIVOT (BLACK)
3	05025251	1	WLDMT, HOC TRANSFER LOCK (BLACK)
4	05186351	1	WLDMT, HOC LIFT ARM (BLACK)
5	07500414	2	ASM, BSHG
6	03989100	4	BUSHING FLANGED .515X.750X.31X1.12
7	04766551	2	PLATE, BEARING SUPPORT
8	04895200	3	SPCR, DECK LEVELING
9	05077551	1	BRKT, HOC LINE (BLACK)
10	05800210	1	PIN, .499/.494 x 3.385 CLEVIS
11	05081400	2	LINK, DECK LIFT, FORMED
12	05083951	2	LINK, DECK
13	05120951	1	ROD, FOOT PEDAL (BLACK)
14	05126700	1	DRAG, LINK
15	05149500	3	PIN, DECK LIFT
16	05709200	1	RG-RTNG-EXT .625x.050
17	05710200	1	RING, RETAINING-E .500X.042
18	05901631	2	BLT, HEX 0.5-13X1.5 GR5 ZC120
19	05901718	1	BLT, HEX 0.375-16X2 GR5 ZC120
20	05901730	1	BLT, HEX 0.625-11X5.5 GR5 ZB500
21	05901735	1	BLT, HEX 0.5-13X3.5F GR5 ZCC

BOM ID	Number	Qty	Description
22	05901736	1	BLT, HEX 0.5-13X4.5F GR8 ZCC
23	05901813	2	BLT, HEX 0.375-16X2.75 GR8 ZCC
24	06200311	4	BTL,RHSSN .313-18 X 2.25 G5 ZCC
25	06401008	3	WSHR-FL-STL 0.438X1X0.083 ZC120
26	06401015	1	WSHR-FL-STL 0.531X1.062X0.095 ZC120
27	06401039	1	WSHR-FL-STL 0.656X1.312X0.095 RIE5230
28	06401116	2	WSHR-FL-STL 0.526X1.055X0.074 HRD
29	06401117	1	WSHR-FL-STL 0.63X1.005X0.062 ZCC
30	06500822	3	NUT, FLG-TOP LK .375-16 GRF ZC120
31	06500835	1	NUT,FLG-TOP LK .625-11 FBP
32	06500840	4	NUT, FLG-CTR LK .312-18 GR5 ZCC
33	06500907	2	NUT, FLG-TOP LK .500-13 GF ZCC
34	06500910	2	NUT-JAM .375-16 GR2 ZCC
35	06500911	2	NUT, JAM .50-13 GR5 ZC120
36	06505000	1	NUT, -SL .50-13
37	06700212	1	PIN, CTR .12X1.25 EXTPRSQCT ZC120
38	06800201	1	PIN, SLIC-.500X4.97X4.55 -ZC
39	07001814	1	BOLT, .38-16X5.25-.62 DIA EYE
40	08319000	1	SPRG, TENSION .162 X 1.250 X 8.250

DECK, BELTS, BLADES AND SPINDLES – 44"

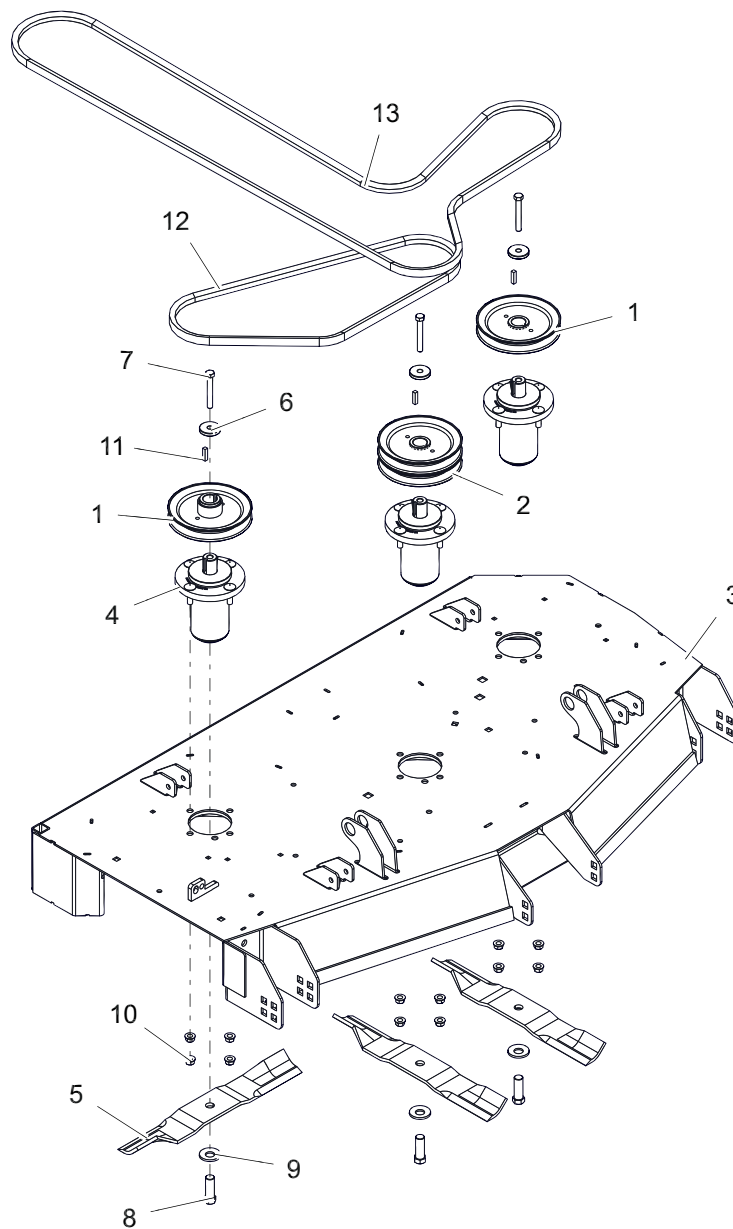
Model 991266



BOM ID	Number	Qty	Description
1	07332100	2	PULLEY, SINGLE -1.000 ID X 6.000 OD
2	07332300	1	PULLEY, DOUBLE 1.000 ID X 6.000 OD
3	58810800	3	ASM, ALUM SPINDLE
4	59118000	1	KIT, DECK - 44 W/DECALS - XF3
5	00450200	3	BLADE, 16.19" MOWER (HI-LIFT)
6	04530500	3	RETAINER, SHEAVE SPINDLE
7	05901813	3	BLT, HEX 0.375-16X2.75 GR8 ZCC
8	05901822	3	BLT, HEX 0.625-18X1.75 GR8 ZCC
9	06445700	3	WSHR, BLVL-.63X1.625X.14
10	06500901	12	NUT, FLG-CTR LK .375-16 GR5 ZC120
11	06611200	3	KEY-SQ .250X.250X1.00 RC 40-50
12	07200805	1	V-BELT, B 52.46 RAW COGGED
13	07200814	1	V-BELT, HB SECTION

DECK, BELTS, BLADES AND SPINDLES – 48"

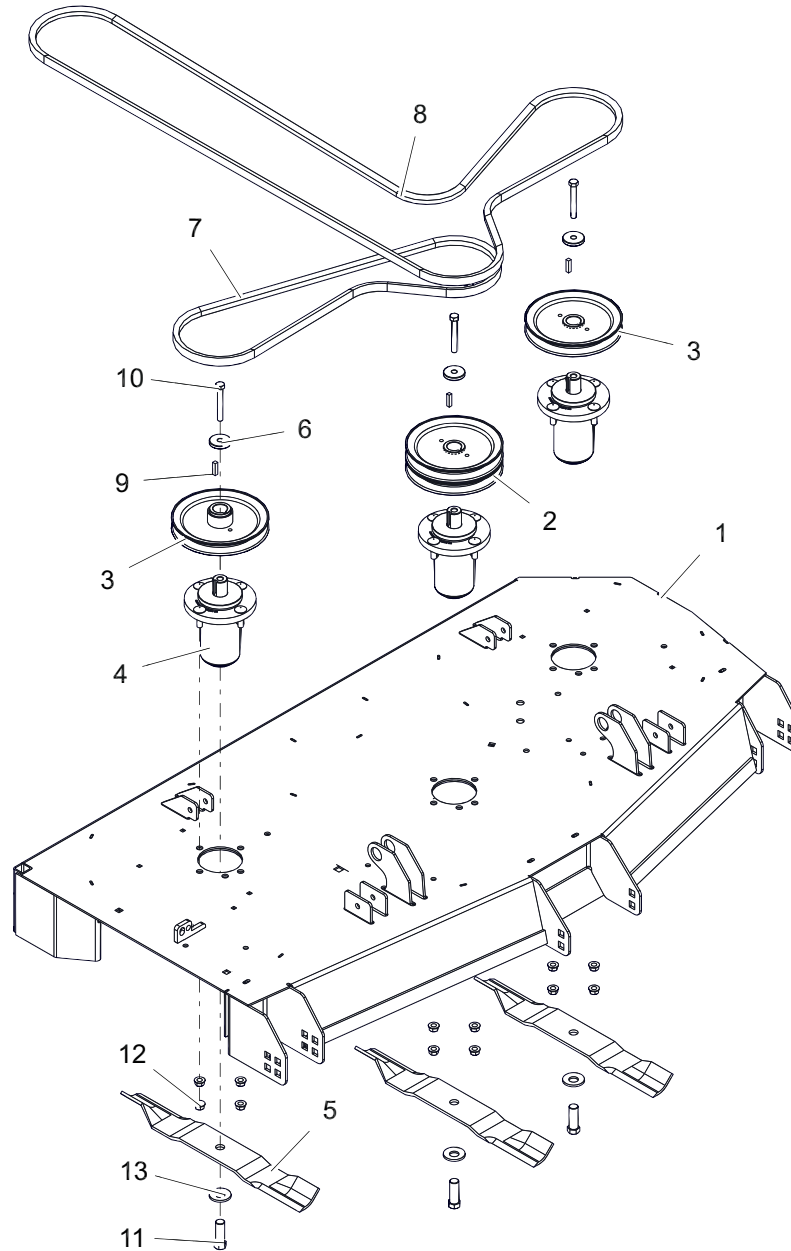
Model 991268, 274



BOM ID	Number	Qty	Description
1	07332100	2	PULLEY, SINGLE -1.000 ID X 6.000 OD
2	07332300	1	PULLEY, DOUBLE 1.000 ID X 6.000 OD
3	59118100	1	KIT, DECK - 48 W/DECALS - XF3
4	58810800	3	ASM, ALUM SPINDLE
5	00450200	3	BLADE, 16.19" MOWER (HI-LIFT)
6	04530500	3	RETAINER, SHEAVE SPINDLE
7	05901813	3	BLT, HEX 0.375-16X2.75 GR8 ZCC
8	05901822	3	BLT, HEX 0.625-18X1.75 GR8 ZCC
9	06445700	3	WSHR, BLVL-.63X1.625X.14
10	06500901	12	NUT, FLG-CTR LK .375-16 GR5 ZC120
11	06611200	3	KEY-SQ .250X.250X1.00 RC 40-50
12	07200805	1	V-BELT, B 52.46 RAW COGGED
13	07200815	1	V-BELT, HB SECTION

DECK, BELTS, BLADES AND SPINDLES – 52"

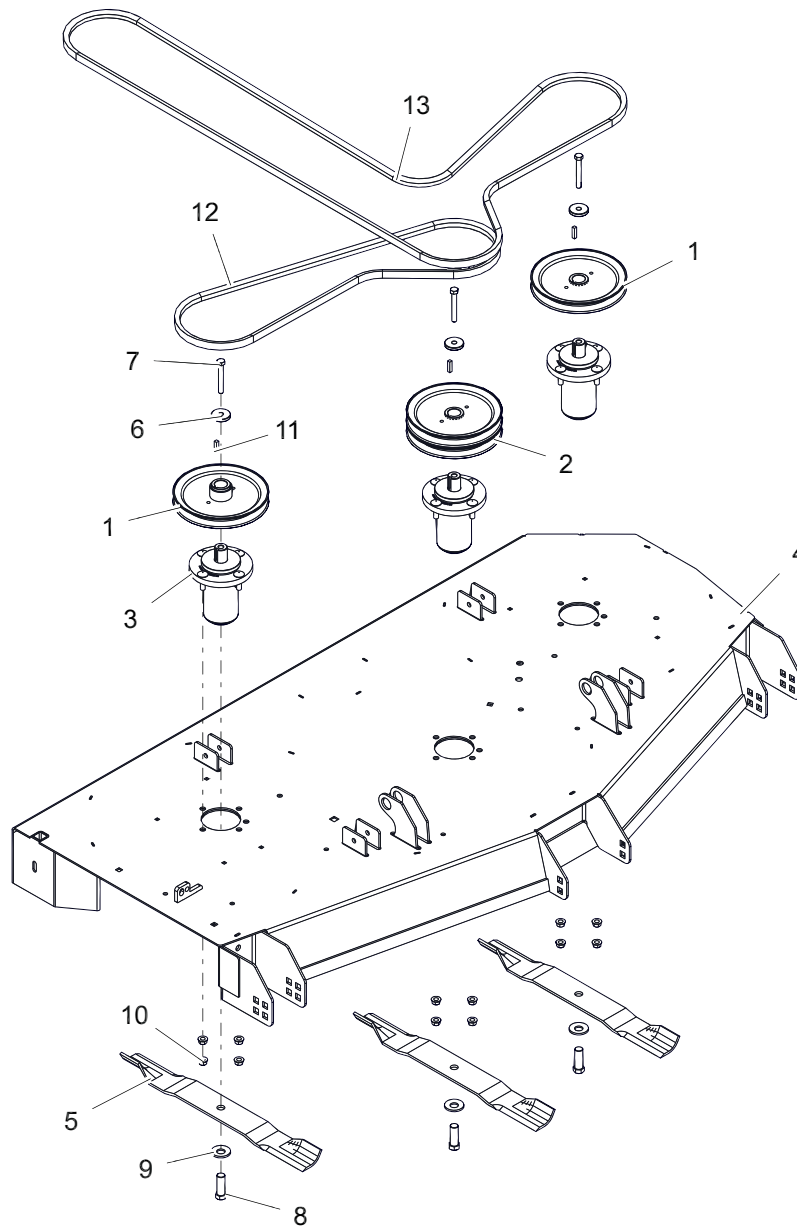
Model 991270, 276



BOM ID	Number	Qty	Description
1	59118200	1	KIT, DECK - 52 W/DECALS - XF3
2	07328800	1	PULLEY, DOUBLE 1.000 ID X 6.750 OD
3	07328900	2	PULLEY, V-1.000 ID X 6.750 OD
4	58810800	3	ASM, ALUM SPINDLE
5	03253800	3	BLADE, 18"
6	04530500	3	RETAINER, SHEAVE SPINDLE
7	07200806	1	V-BELT, B 58.45 RAW COGGED
8	07200816	1	V-BELT, HB SECTION
9	06611200	3	KEY-SQ .250X.250X1.00 RC 40-50
10	05901813	3	BLT, HEX 0.375-16X2.75 GR8 ZCC
11	05901822	3	BLT, HEX 0.625-18X1.75 GR8 ZCC
12	06500901	12	NUT, FLG-CTR LK .375-16 GR5 ZC120
13	06445700	3	WSHR, BLVL-.63X1.625X.14

DECK, BELTS, BLADES AND SPINDLES – 60"

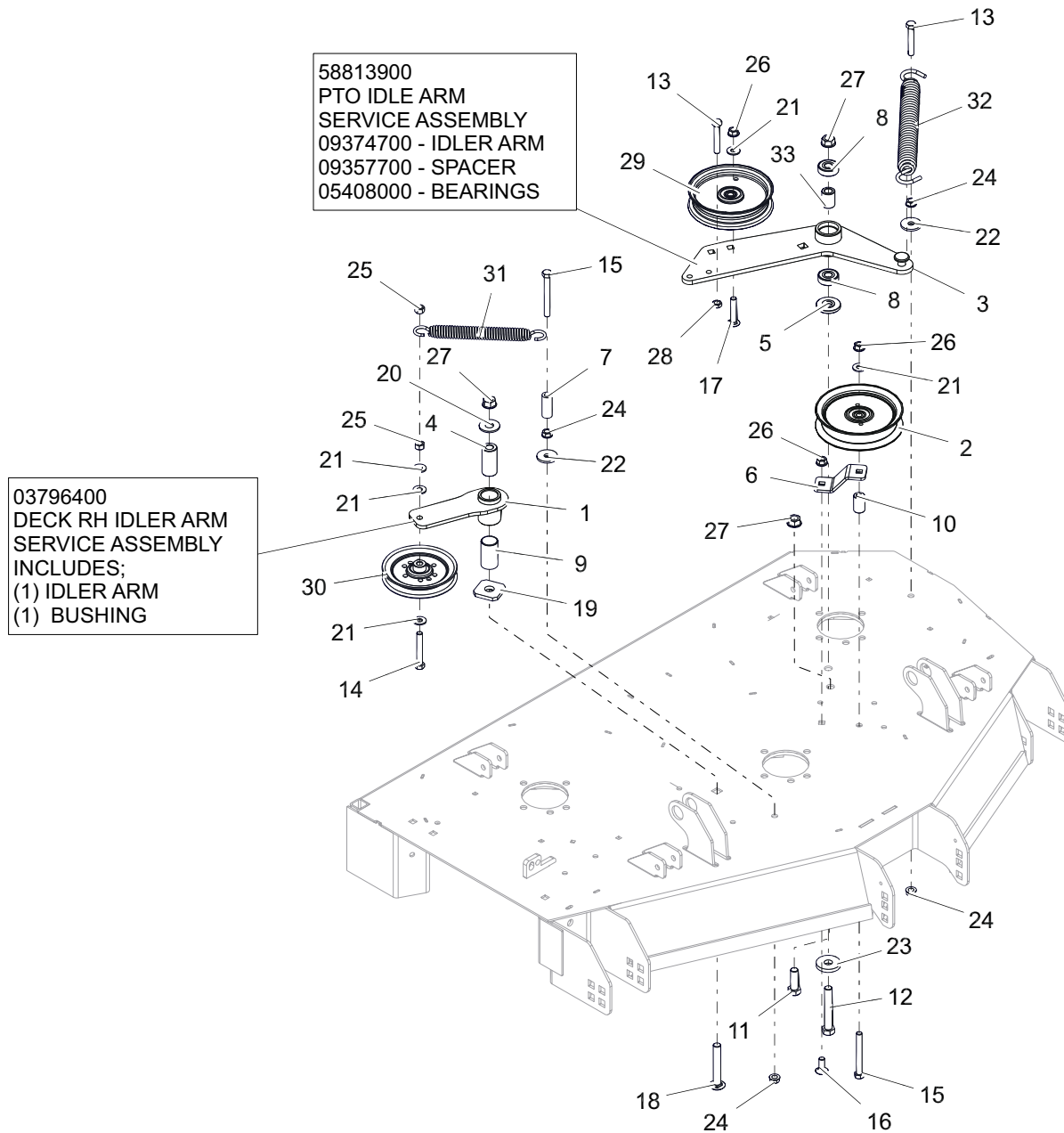
Model 991272, 278



BOM ID	Number	Qty	Description
1	07345967	2	PULLEY, V-1" ID X 7.50" OD (BLACK)
2	07346667	1	PULLEY, DOUBLE 1"X7.50"&7.50" (BLACK)
3	58810800	3	ASM, ALUM SPINDLE
4	59118300	1	KIT, DECK - 60 W/DECALS - XF3
5	03253900	3	BLADE, 20.5"
6	04530500	3	RETAINER, SHEAVE SPINDLE
7	05901813	3	BLT, HEX 0.375-16X2.75 GR8 ZCC
8	05901822	3	BLT, HEX 0.625-18X1.75 GR8 ZCC
9	06445700	3	WSHR, BLVL-.63X1.625X.14
10	06500901	12	NUT, FLG-CTR LK .375-16 GR5 ZC120
11	06611200	3	KEY-SQ .250X.250X1.00 RC 40-50
12	07200807	1	V-BELT, B 65.375 RAW COGGED
13	07200817	1	V-BELT, HB SECTION

IDLERS AND SHEAVES – 44" AND 48"

Model 991266, 268, 274



BOM ID	Number	Qty	Description
1	03774151	1	ASM, IDLER ARM W/BUSHING
2	07345600	1	IDLER, FLAT
3	09374700	1	WLDMT, IDLER ARM PT660
4	01581700	1	SPACER SLEEVED .502X.997X2.03
5	04714600	1	SPACER FLANGED ARM
6	04981853	1	BRKT, PTO FIXED IDLER MTG
7	05278000	1	HOSE, .38 X 1.65
8	05408000	2	BRG-BALL .500X1.375X.44
9	05501234	1	BSHG, 1.00x1.125x1.9375
10	05501308	1	BUSHING SLEEVED .380 X .750 X 1.190
11	05901631	1	BLT, HEX 0.5-13X1.5 GR5 ZC120
12	05901634	1	BLT, HEX 0.5-13X3.25 GR5 ZC120
13	05901640	2	BLT, HEX 0.375-16X2.25 GR5 ZC120
14	05901812	1	BLT, HEX 0.375-16X2.5 GR5 ZCC
15	05901817	2	BLT, HEX 0.375-16X3.25 GR5 ZCC
16	06200235	1	BTL, RHSSN .375-16 X 1 G5 ZCC
17	06200323	1	BTL, RHSSN .375-16 X 2 G5 ZCC

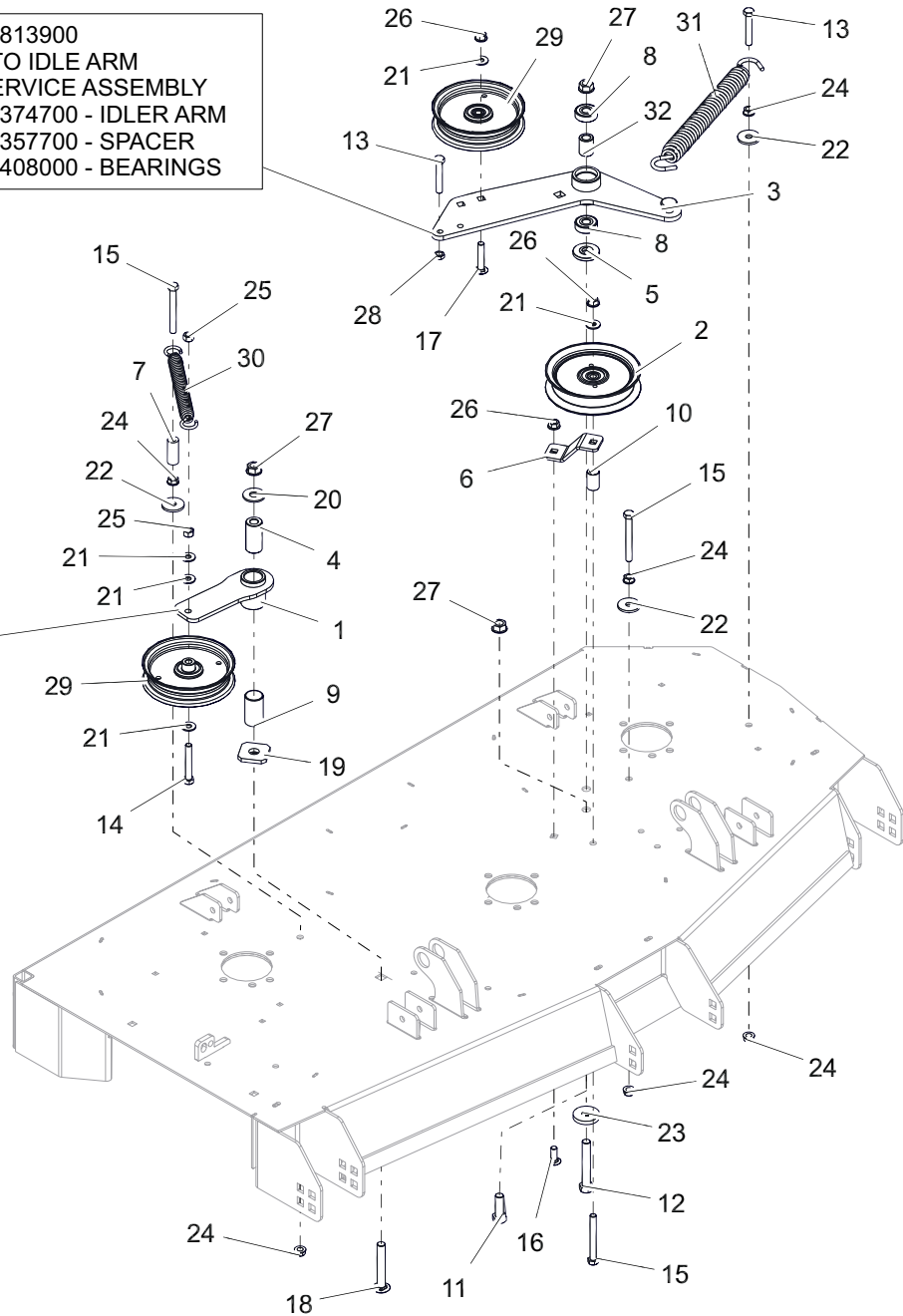
BOM ID	Number	Qty	Description
18	06200339	1	BTL, RHSSN .500-13 X 3.25 G5 ZCC
19	06400829	1	WSHR, -FLT.640X1.75X.250
20	06401012	1	WSHR-FL-STL 0.563X1.375X0.109 ZC120
21	06401023	5	WSHR-FL-STL 0.375X0.875X0.083 ZC120
22	06401121	2	WSHR-FL-STL 0.406X1.375X0.135 ZCC
23	06401213	1	WSHR-FL-STL 0.557X1.625X0.25 ZCC
24	06500735	4	NUT, FLG-SPNLK .375-16 GR5 ZC120
25	06500825	2	NUT, HEX-CTR LK .375-16 GR5 ZCC
26	06500901	3	NUT, FLG-CTR LK .375-16 GR5 ZC120
27	06500902	3	NUT, FLG-CTR LK .500-13 GF ZCC
28	06500910	1	NUT-JAM .375-16 GR2 ZCC
29	07351200	1	IDLER, FLAT - .500 X .75
30	07351800	1	IDLER, V, 5.00X.38
31	08300507	1	SPRG, EXTENSION - SWIVEL
32	08300708	1	SPRG, EXTENSION
33	09357700	1	SPACER SLEEVED SPACER, .510 X .867 X 1.148

IDLERS AND SHEAVES - 52"

Model 991270, 276

58813900
PTO IDLER ARM
SERVICE ASSEMBLY
09374700 - IDLER ARM
09357700 - SPACER
05408000 - BEARINGS

03796400
DECK RH IDLER ARM
SERVICE ASSEMBLY
INCLUDES;
(1) IDLER ARM
(1) BUSHING

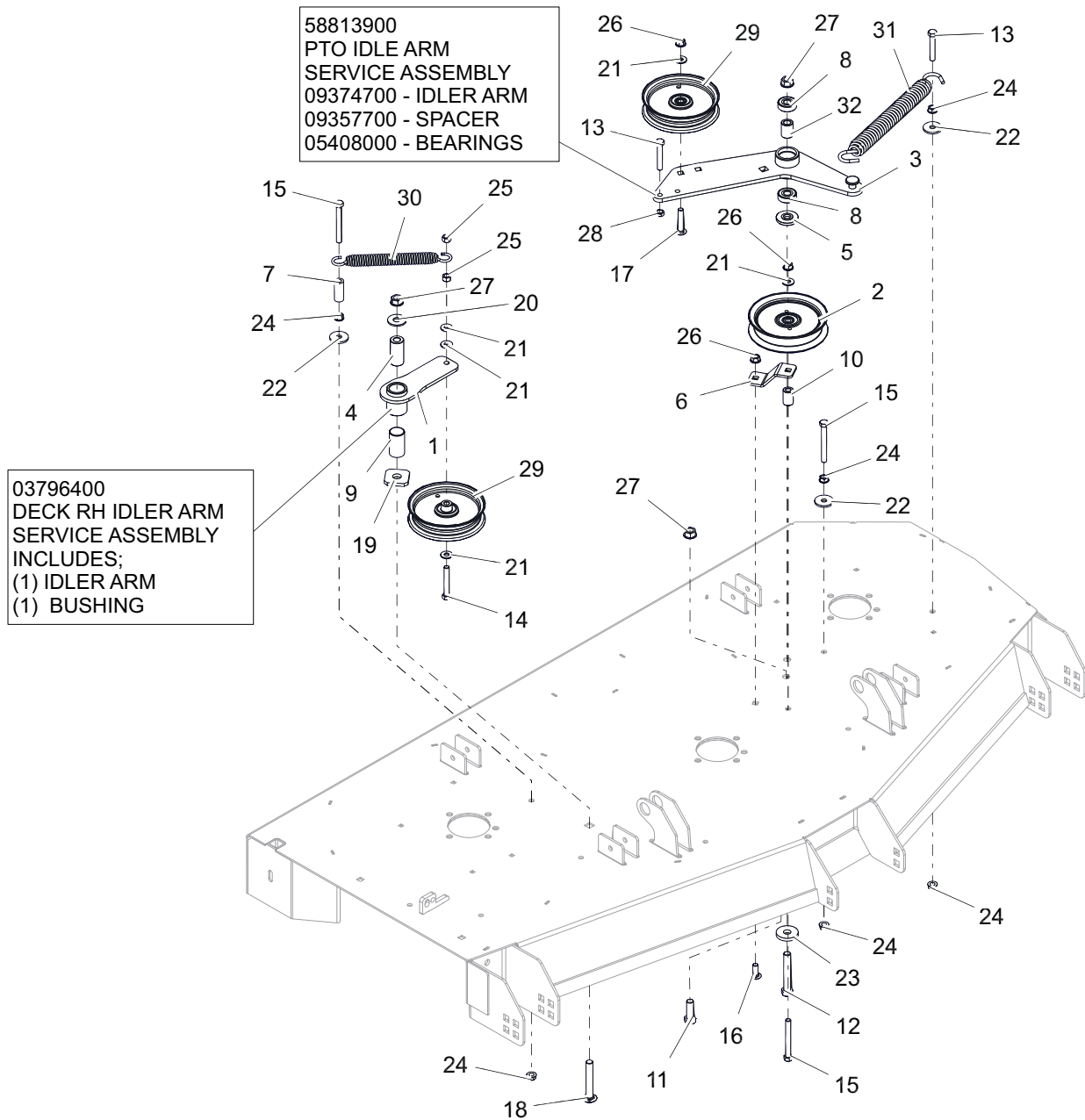


BOM ID	Number	Qty	Description
1	03774151	1	ASM.IDLER ARM W/BUSHING
2	07345600	1	IDLER, FLAT
3	09374700	1	WLDMT, IDLER ARM PT660
4	01581700	1	SPACER SLEEVED .502X.997X2.03
5	04714600	1	SPACER FLANGED ARM
6	04981853	1	BRKT, PTO FIXED IDLER MTG
7	05278000	1	HOSE, .38 X 1.65
8	05408000	2	BRG-BALL .500X1.375X.44
9	05501234	1	BSHG, 1.00x1.125x1.9375
10	05501308	1	BUSHING SLEEVED .380 X .750 X 1.190
11	05901631	1	BLT, HEX 0.5-13X1.5 GR5 ZC120
12	05901634	1	BLT, HEX 0.5-13X3.25 GR5 ZC120
13	05901640	2	BLT, HEX 0.375-16X2.25 GR5 ZC120
14	05901812	1	BLT, HEX 0.375-16X2.5 GR5 ZCC
15	05901817	3	BLT, HEX 0.375-16X3.25 GR5 ZCC
16	06200235	1	BTL,RHSSN .375-16 X 1 G5 ZCC
17	06200323	1	BTL,RHSSN .375-16 X 2 G5 ZCC

BOM ID	Number	Qty	Description
18	06200339	1	BTL,RHSSN .500-13 X 3.25 G5 ZCC
19	06400829	1	WSHR, -FLT.640X1.75X.250
20	06401012	1	WSHR-FL-STL 0.563X1.375X0.109 ZC120
21	06401023	5	WSHR-FL-STL 0.375X0.875X0.083 ZC120
22	06401121	3	WSHR-FL-CTR LK 0.406X1.375X0.135 ZCC
23	06401213	1	WSHR-FL-STL 0.557X1.625X0.25 ZCC
24	06500735	6	NUT, FLG-SPNLK .375-16 GR5 ZC120
25	06500825	2	NUT, HEX-CTR LK .375-16 GR5 ZCC
26	06500901	3	NUT, FLG-CTR LK .375-16 GR5 ZC120
27	06500902	3	NUT, FLG-CTR LK .500-13 GF ZCC
28	06500910	1	NUT-JAM .375-16 GR2 ZCC
29	07351200	2	IDLER, FLAT - .500 X .75
30	08300507	1	SPRG, EXTENSION - SWIVEL
31	08300708	1	SPRG, EXTENSION
32	09357700	1	SPACER SLEEVED SPACER, .510 X .867 X 1.148

IDLERS AND SHEAVES – 60"

Model 991272, 278

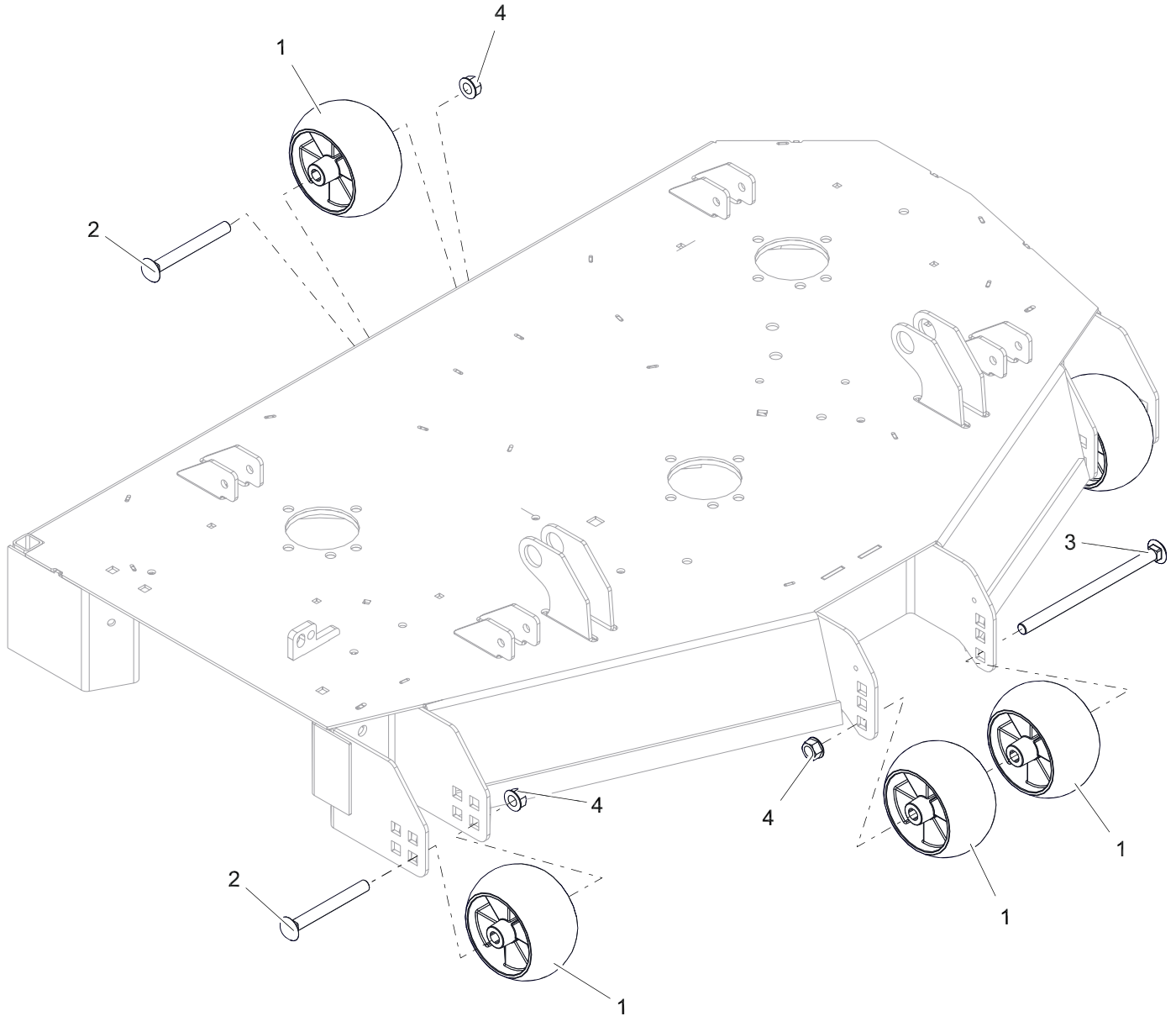


BOM ID	Number	Qty	Description
1	03774151	1	ASM, IDLER ARM W/BUSHING
2	07345600	1	IDLER, FLAT
3	09374700	1	WLDMT, IDLER ARM PT660
4	01581700	1	SPACER SLEEVED .502X.997X2.03
5	04714600	1	SPACER FLANGED ARM
6	04981853	1	BRKT, PTO FIXED IDLER MTG
7	05278000	1	HOSE, .38 X 1.65
8	05408000	2	BRG-BALL .500X1.375X.44
9	05501234	1	BSHG, 1.00x1.125x1.9375
10	05501308	1	BUSHING SLEEVED .380 X .750 X 1.190
11	05901631	1	BLT, HEX 0.5-13X1.5 GR5 ZC120
12	05901634	1	BLT, HEX 0.5-13X3.25 GR5 ZC120
13	05901640	2	BLT, HEX 0.375-16X2.25 GR5 ZC120
14	05901812	1	BLT, HEX 0.375-16X2.5 GR5 ZCC
15	05901817	3	BLT, HEX 0.375-16X3.25 GR5 ZCC
16	06200235	1	BTL, RHSSN .375-16 X 1 G5 ZCC
17	06200323	1	BTL, RHSSN .375-16 X 2 G5 ZCC

BOM ID	Number	Qty	Description
18	06200339	1	BTL, RHSSN .500-13 X 3.25 G5 ZCC
19	06400829	1	WSHR, -FLT.640X1.75X.250
20	06401012	1	WSHR-FL-STL 0.563X1.375X0.109 ZC120
21	06401023	5	WSHR-FL-STL 0.375X0.875X0.083 ZC120
22	06401121	3	WSHR-FL-STL 0.406X1.375X0.135 ZCC
23	06401213	1	WSHR-FL-CTR 0.557X1.625X0.25 ZCC
24	06500735	6	NUT, FLG-SPNLK .375-16 GR5 ZC120
25	06500825	2	NUT, HEX-CTR LK .375-16 GR5 ZCC
26	06500901	3	NUT, FLG-CTR LK .375-16 GR5 ZC120
27	06500902	3	NUT, FLG-CTR LK .500-13 GF ZCC
28	06500910	1	NUT-JAM .375-16 GR2 ZCC
29	07351200	2	IDLER, FLAT - .500 X .75
30	08300507	1	SPRG, EXTENSION - SWIVEL
31	08300708	1	SPRG, EXTENSION
32	09357700	1	SPACER SLEEVED SPACER, .510 X .867 X 1.148

ANTI-SCALP WHEELS AND BAFFLES – 44" AND 48"

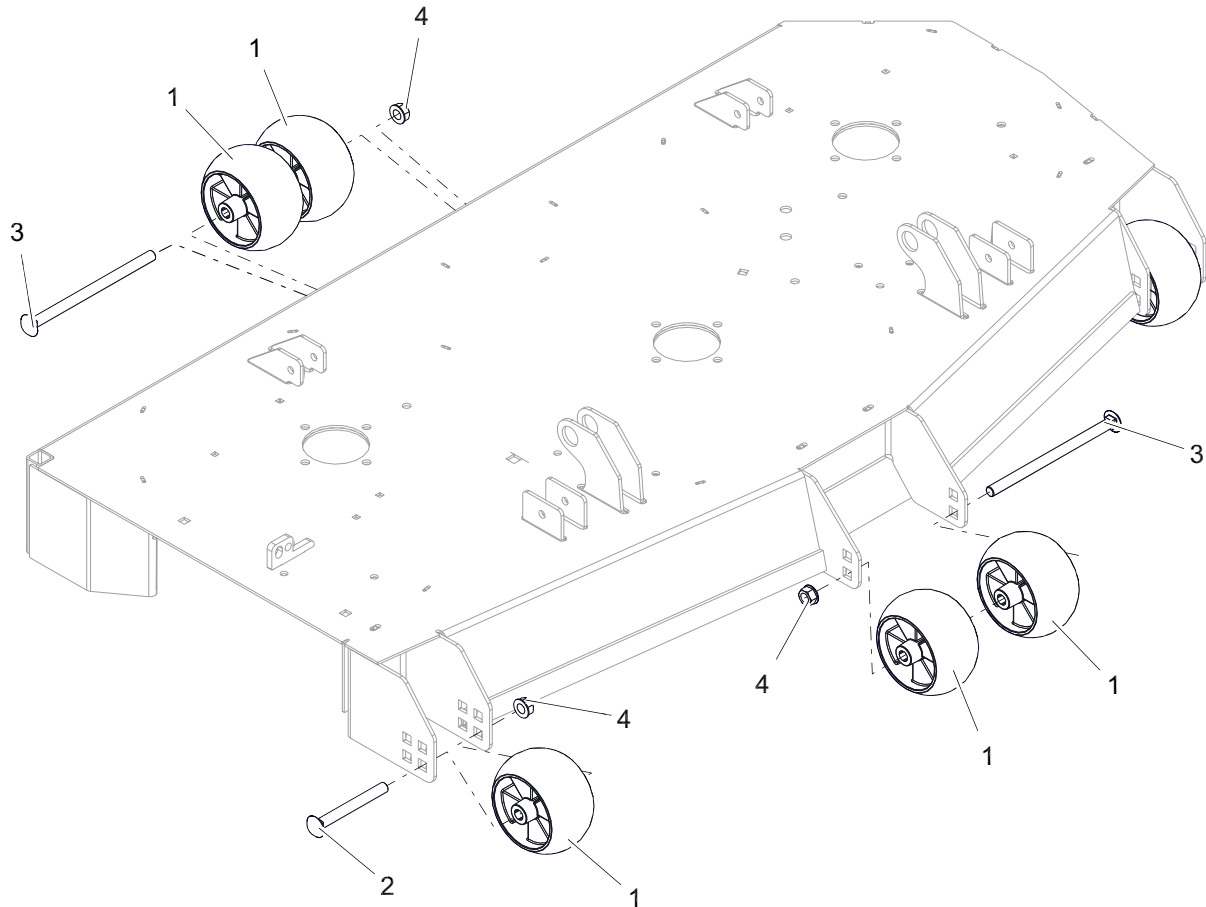
Model 991266, 268, 274



BOM ID	Number	Qty	Description
1	05268800	5	WHEEL, ANTI SCALP - 5X3 CTR W/RIBS
2	06200240	3	BTL,RHSN .500-13 X 4.5 G5 ZCC
3	06200430	1	BTL,RHSN .500-13 X 8 G5 ZCC
4	06500902	4	NUT, FLG-CTR LK .500-13 GF ZCC

ANTI-SCALP WHEELS AND BAFFLES – 52"

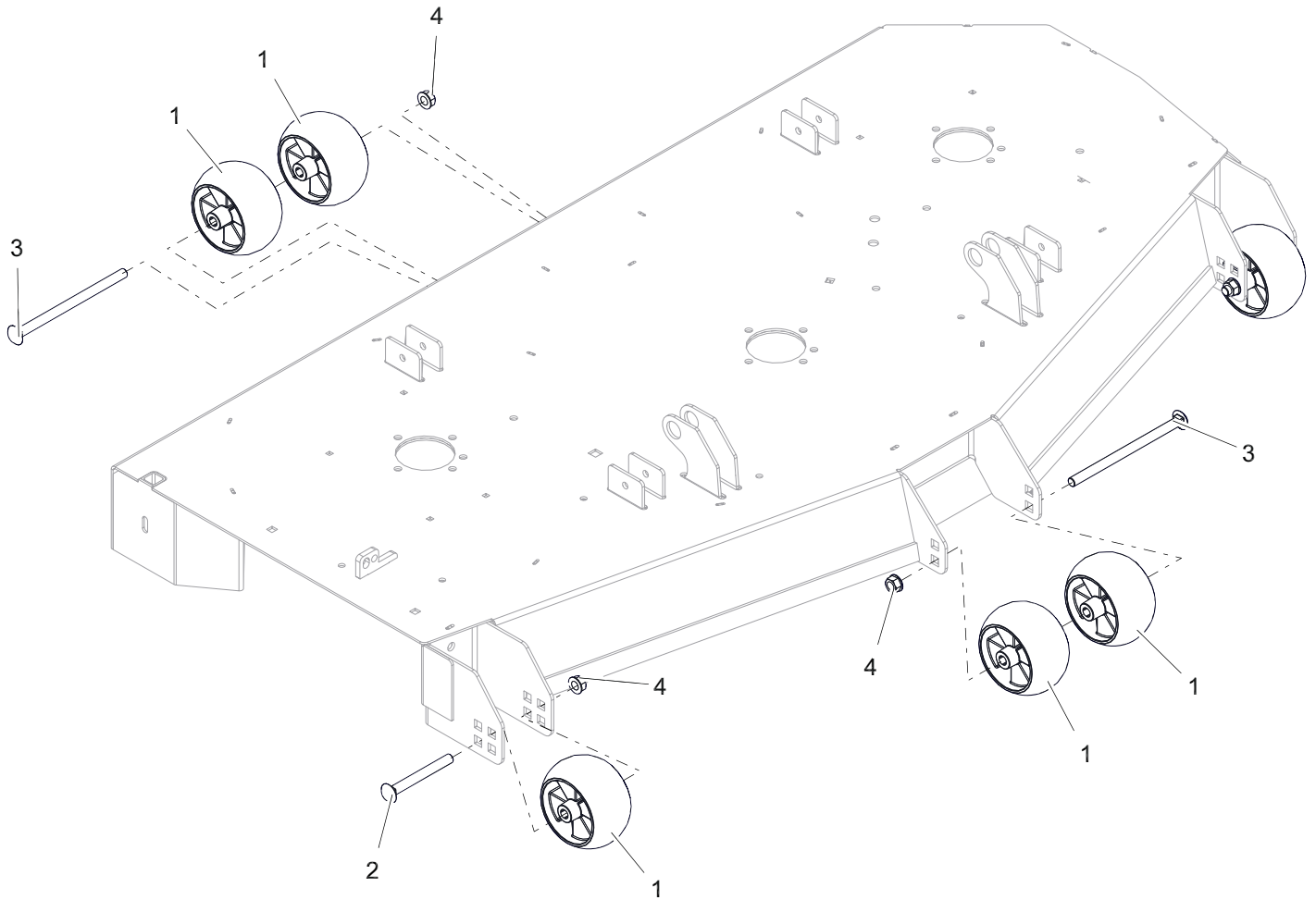
Model 991270, 276



BOM ID	Number	Qty	Description
1	05268800	6	WHEEL, ANTI SCALP - 5X3 CTR W/RIBS
2	06200240	2	BTL,RHSN .500-13 X 4.5 G5 ZCC
3	06200430	2	BTL,RHSN .500-13 X 8 G5 ZCC
4	06500902	4	NUT, FLG-CTR LK .500-13 GF ZCC

ANTI-SCALP WHEELS AND BAFFLES – 60"

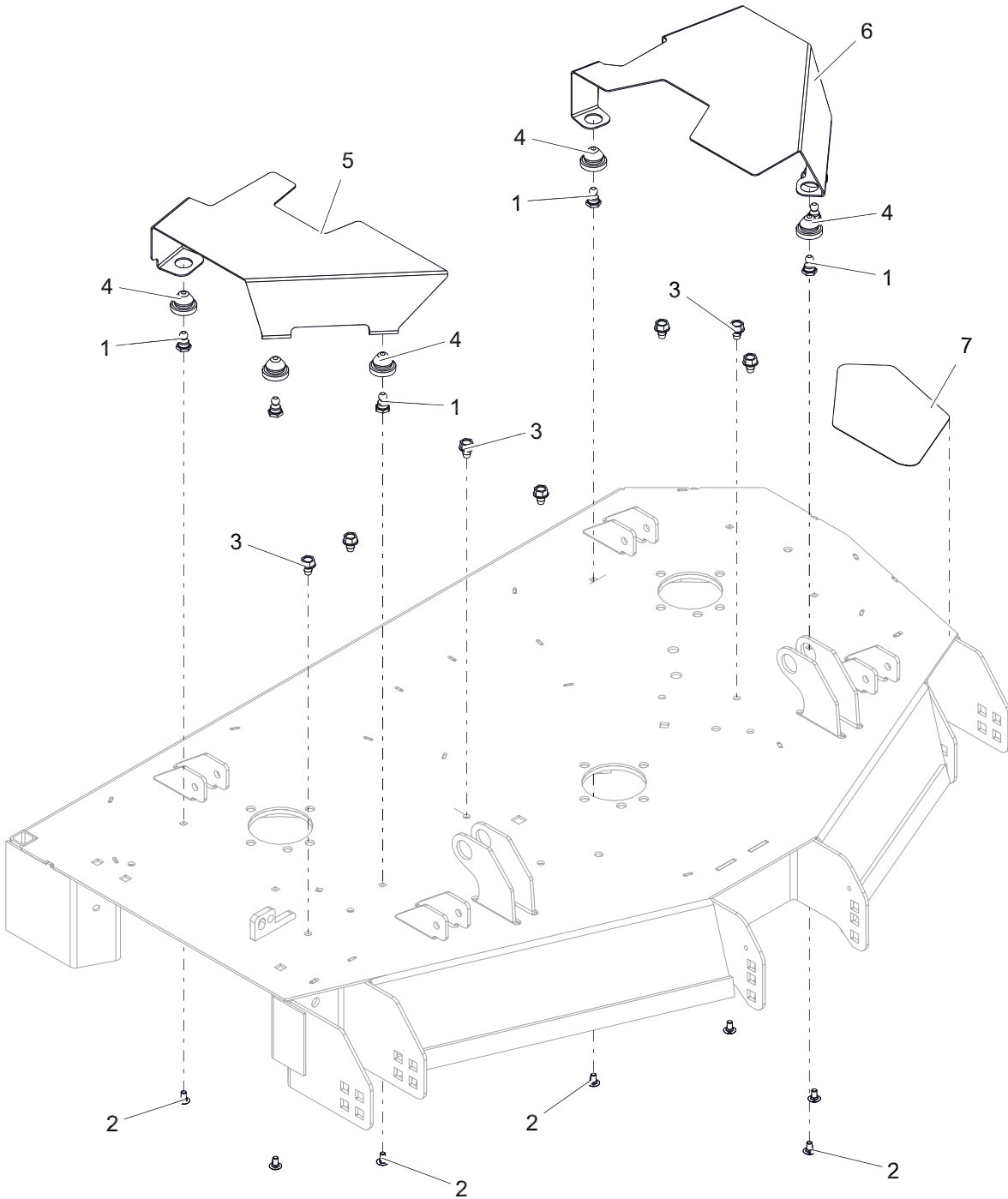
Model 991272, 278



BOM ID	Number	Qty	Description
1	05268800	6	WHEEL, ANTI SCALP - 5X3 CTR W/RIBS
2	06200240	2	BTL,RHSN .500-13 X 4.5 G5 ZCC
3	06200430	2	BTL,RHSN .500-13 X 8 G5 ZCC
4	06500902	4	NUT, FLG-CTR LK .500-13 GF ZCC

BELT GUARDS – 44"

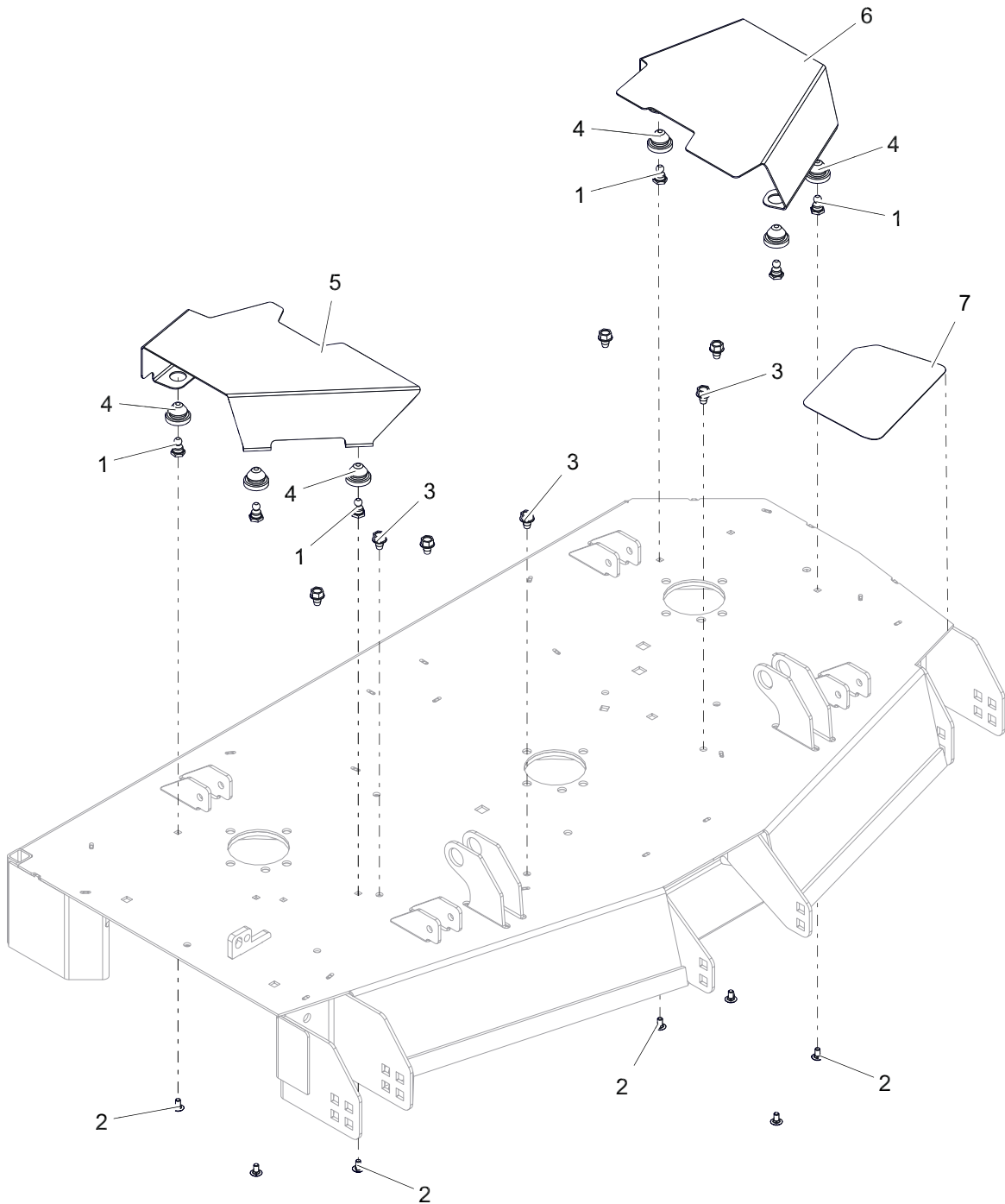
Model 991266



BOM ID	Number	Qty	Description
1	05275900	7	STUD, BALL FEMALE .250-20 THREAD
2	06200305	7	BTL,RHSSN .250-20 X 0.5 G5 ZCC
3	07400126	7	SCR-TAP .38-16X.500 HWH ZCC
4	07500429	7	COUPLING, RUBBER PUSH-IN
5	09459653	1	COVER, BELT 44" RIGHT (RED)
6	09459753	1	COVER, BELT 44" LEFT (RED)
7	09461200	1	GRIP, STEP ANTI SKID HD 44 XF3

BELT GUARDS – 48"

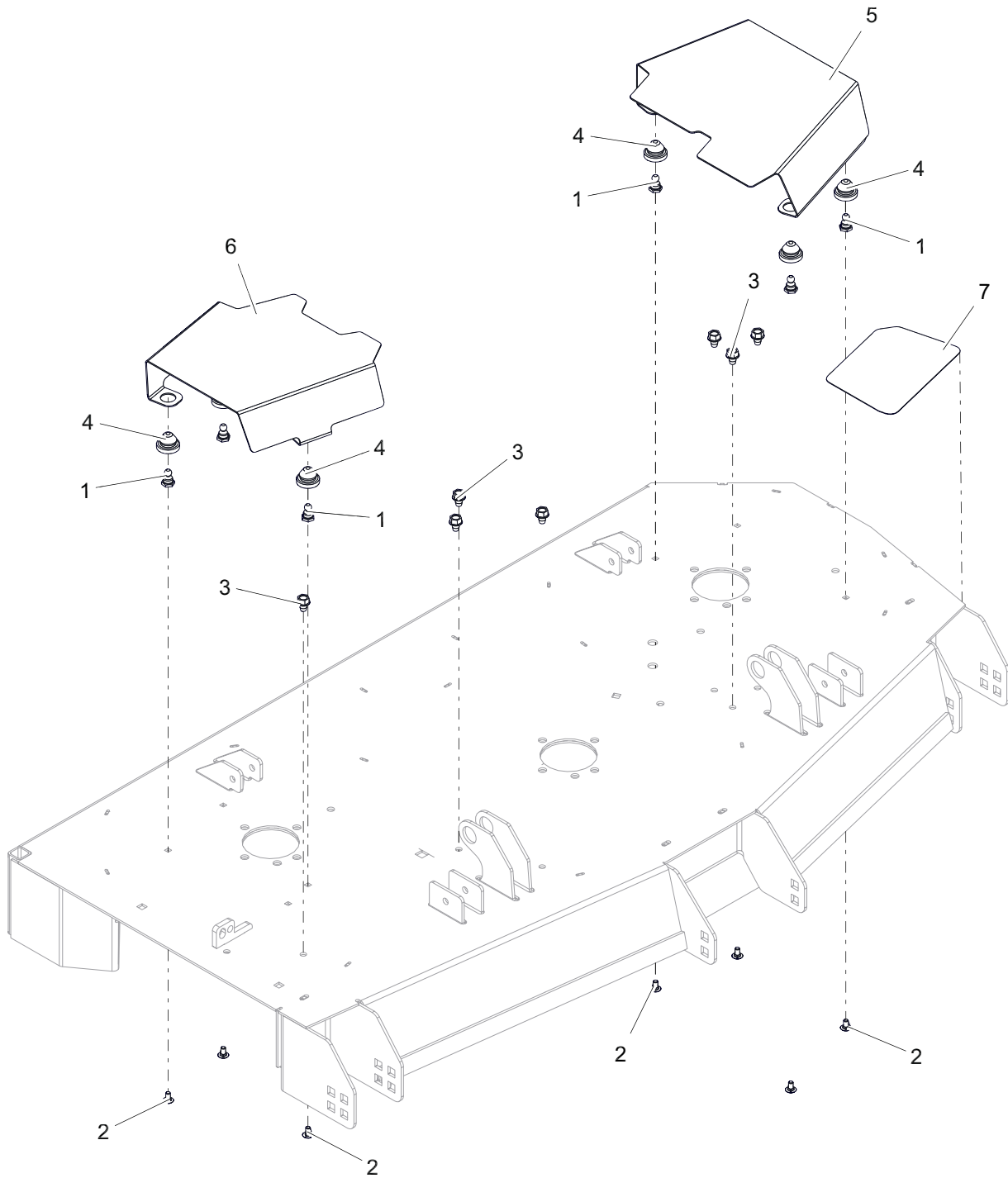
Model 991268, 274



BOM ID	Number	Qty	Description
1	05275900	7	STUD, BALL FEMALE .250-20 THREAD
2	06200305	7	BTL,RHSSN .250-20 X 0.5 G5 ZCC
3	07400126	7	SCR-TAP .38-16X.500 HWH ZCC
4	07500429	7	COUPLING, RUBBER PUSH-IN
5	09458653	1	COVER, BELT 48" RIGHT (RED)
6	09458753	1	COVER, BELT 48" LEFT (RED)
7	09461300	1	GRIP, STEP ANTI SKID HD XF3

BELT GUARDS – 52"

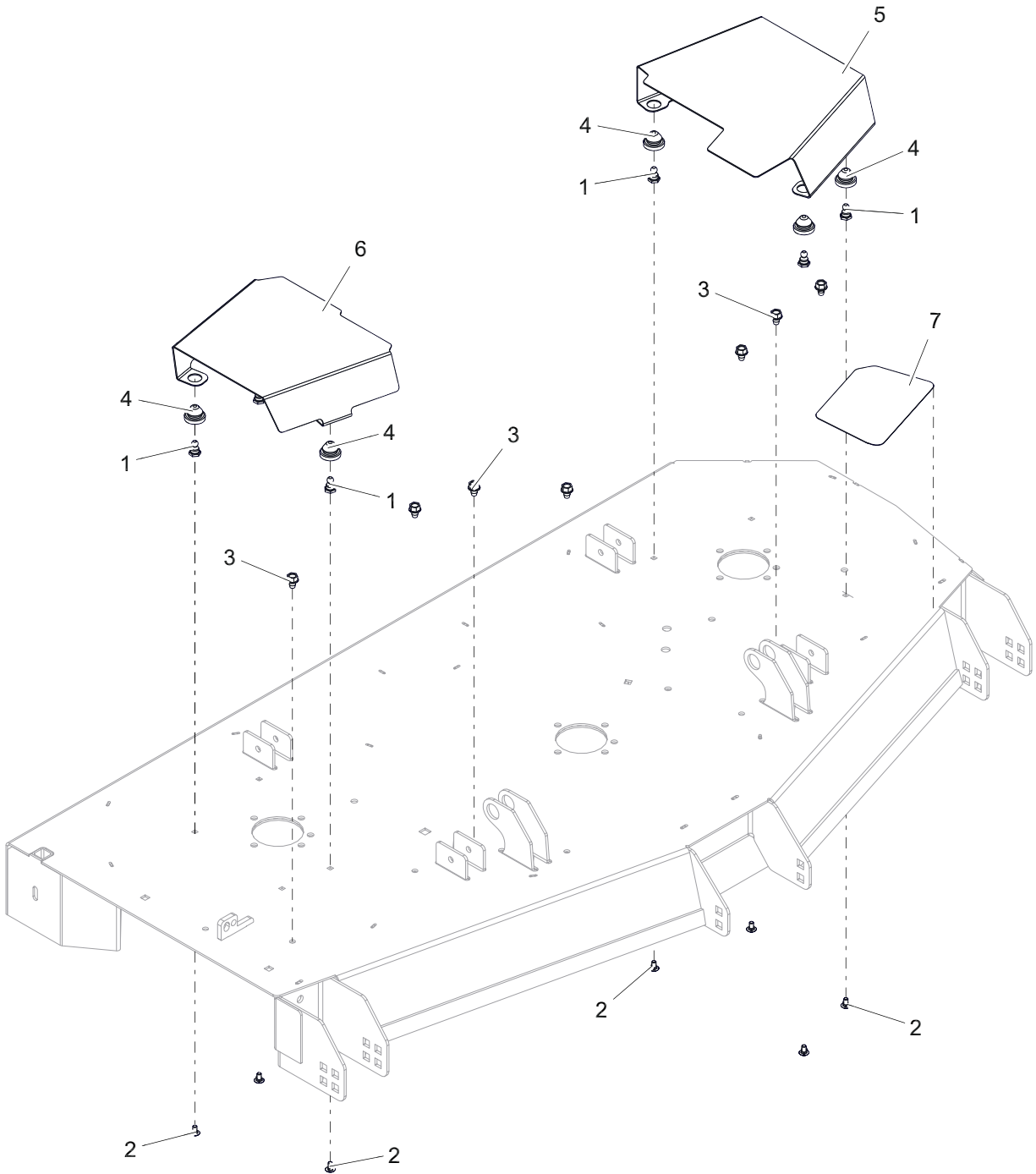
Model 991270, 276



BOM ID	Number	Qty	Description
1	05275900	7	STUD, BALL FEMALE .250-20 THREAD
2	06200305	7	BTL,RHSSN .250-20 X 0.5 G5 ZCC
3	07400126	7	SCR-TAP .38-16X.500 HWH ZCC
4	07500429	7	COUPLING, RUBBER PUSH-IN
5	09458853	1	GUARD, LH 52" DECK BELT
6	09458953	1	GUARD, RH 52" DECK BELT
7	09461300	1	GRIP, STEP ANTI SKID HD XF3

BELT GUARDS – 60"

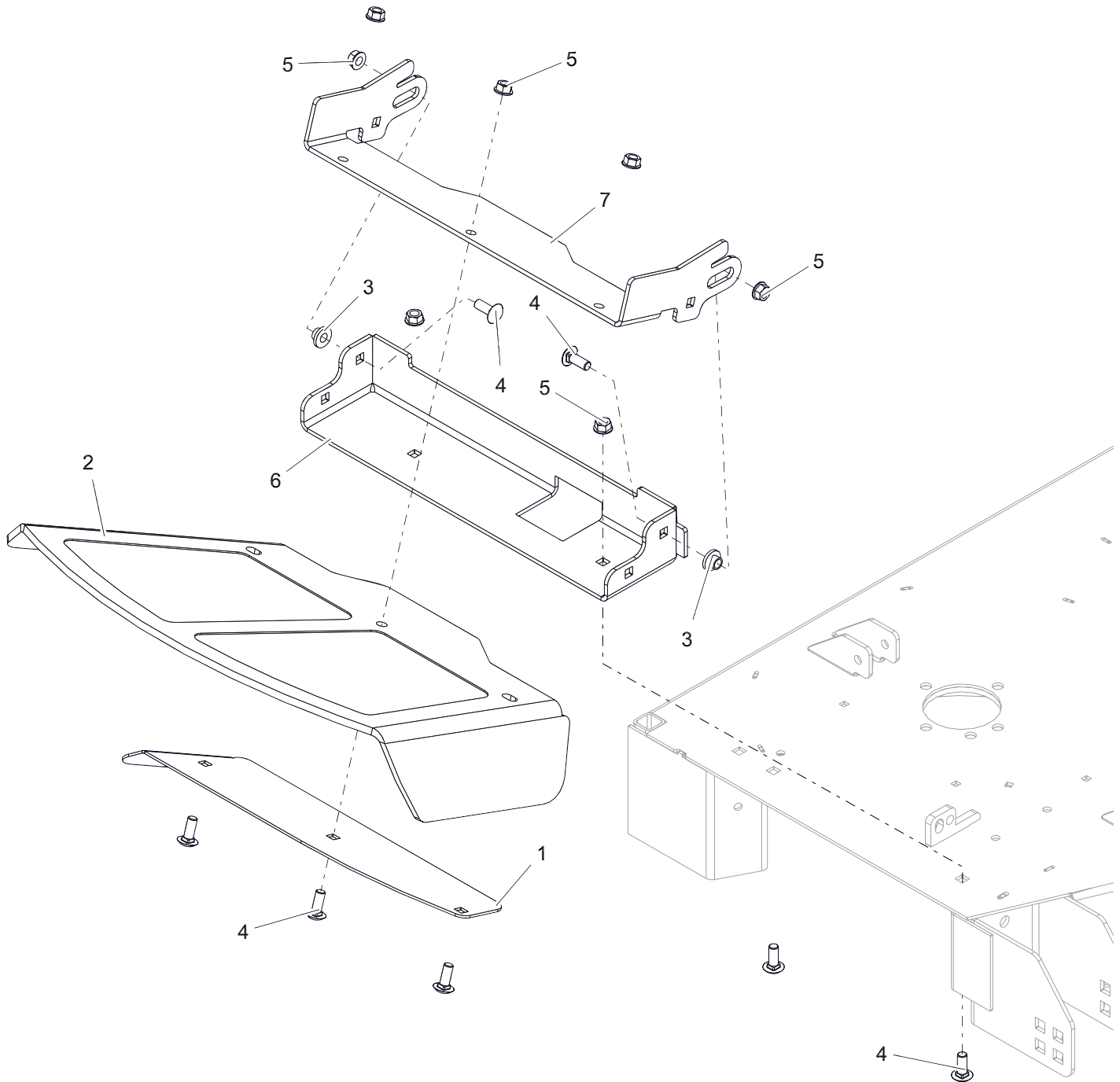
Model 991272, 278



BOM ID	Number	Qty	Description
1	05275900	7	STUD, BALL FEMALE .250-20 THREAD
2	06200305	7	BTL,RHSSN .250-20 X 0.5 G5 ZCC
3	07400126	7	SCR-TAP .38-16X.500 HWH ZCC
4	07500429	7	COUPLING, RUBBER PUSH-IN
5	09459053	1	COVER, BELT 60" LEFT (RED)
6	09459153	1	COVER, BELT 60" RIGHT (RED)
7	09461300	1	GRIP, STEP ANTI SKID HD XF3

DISCHARGE CHUTE – 44" AND 48"

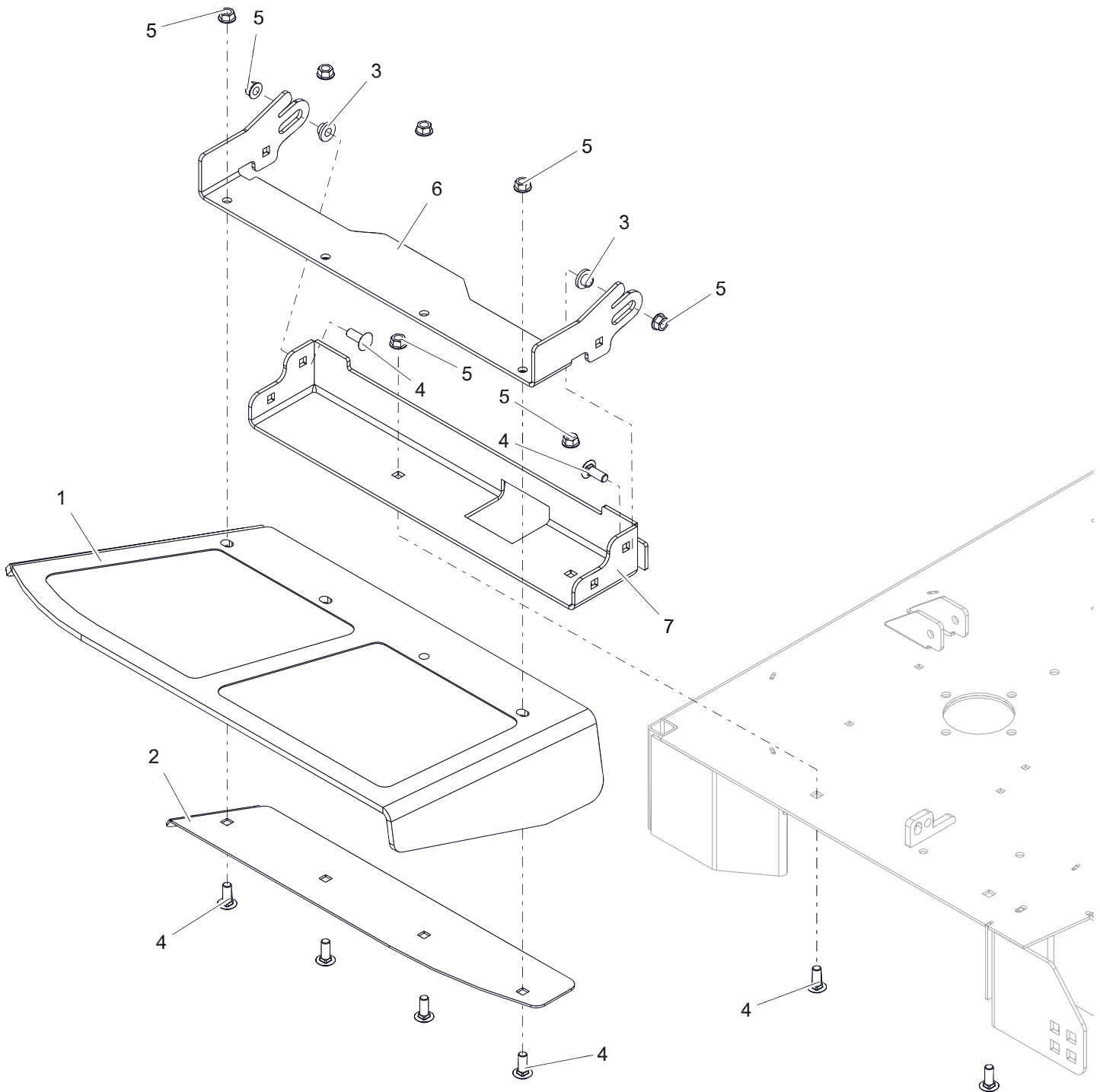
Model 991266, 268, 274



BOM ID	Number	Qty	Description
1	04873753	1	PLATE, 48-60" DISCH CHUTE CLAMP (RED)
2	05269900	1	CHUTE, FORMED RUBBER DISCHARGE
3	05500435	2	BUSHING FLANGED FLG .385 X .500 X .875 X .406
4	06200235	7	BTL,RHSSN .375-16 X 1 G5 ZCC
5	06500901	7	NUT, FLG-CTR LK .375-16 GR5 ZC120
6	09381953	1	BASE, 48" DISCHARGE CHUTE MTG BRKT (RED)
7	09458553	1	BRKT, CHUTE MTG (RED)

DISCHARGE CHUTE – 52" AND 60"

Model 991270, 272, 276, 278



BOM ID	Number	Qty	Description
1	04880900	1	CHUTE, FORMED RUBBER DISCHARGE
2	04976153	1	PLATE, DICH CHUTE CLAMP (RED)
3	05500435	2	BUSHING FLANGED FLG .385 X .500 X .875 X .406
4	06200235	8	BTL,RHSSN .375-16 X 1 G5 ZCC
5	06500901	8	NUT, FLG-CTR LK .375-16 GR5 ZC120
6	09374253	1	BRKT, CHUTE MTG (RED)
7	59229900	1	BASE, DISCHARGE CHUTE MTG (RED) W/ SAFETY DECALS

NOTES



655 West Ryan Street
Brillion, WI 54110

gravelly.com



ARIENS|CO